

US00D644577S

(12) **United States Design Patent**  
**Messale**

(10) **Patent No.:** **US D644,577 S**

(45) **Date of Patent:** **\*\* Sep. 6, 2011**

(54) **VEHICLE REAR LEFT/RIGHT BUMPER COVER**

Ford Kuga, Geneva Auto Show, Mar. 2, 2010.

\* cited by examiner

(75) Inventor: **Claudio Messale**, Köln (DE)

*Primary Examiner* — Melody N Brown

(73) Assignee: **Ford Global Technologies, LLC**, Dearborn, MI (US)

(74) *Attorney, Agent, or Firm* — Damian Porcari

(\*\*) Term: **14 Years**

(57) **CLAIM**

The ornamental design for a vehicle rear left/right bumper cover, as shown and described.

(21) Appl. No.: **29/382,801**

(22) Filed: **Jan. 7, 2011**

**DESCRIPTION**

(51) **LOC (9) Cl.** ..... **12-16**

(52) **U.S. Cl.** ..... **D12/169**

(58) **Field of Classification Search** ..... D12/169,  
D12/196, 171, 216, 163, 86, 90-92; 293/102,  
293/113, 115, 117, 120; 296/180.1, 180.2

See application file for complete search history.

FIG. 1 is a left side elevational view of a left vehicle rear left/right bumper cover;

FIG. 2 is a right side elevational view of the vehicle rear left/right bumper cover;

FIG. 3 is a front elevational view of the vehicle rear left/right bumper cover;

FIG. 4 is a top plan view of the vehicle rear left/right bumper cover;

FIG. 5 is a bottom plan view of the vehicle rear left/right bumper cover;

FIG. 6 is a perspective view of the vehicle rear left/right bumper cover; and,

FIG. 7 is another perspective view of the vehicle rear left/right bumper cover.

(56) **References Cited**

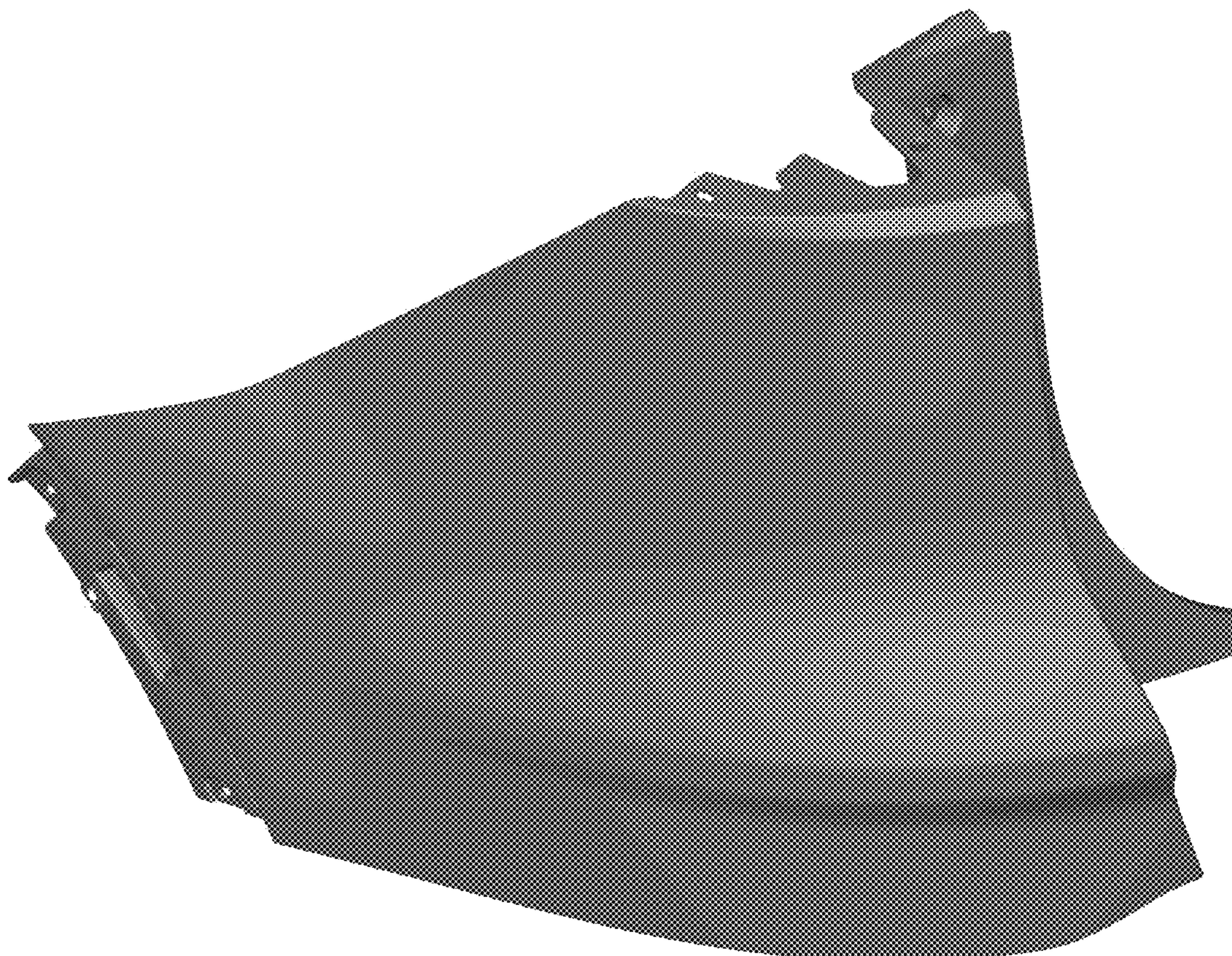
**U.S. PATENT DOCUMENTS**

- D564,423 S \* 3/2008 Spearman-Oxx et al. ... D12/169
- D580,317 S \* 11/2008 Gueler et al. .... D12/169
- D621,752 S \* 8/2010 Angelo et al. .... D12/169
- D637,122 S \* 5/2011 Lamm et al. .... D12/169

**OTHER PUBLICATIONS**

Ford Kuga, Frankfurt Motot Show, Sep. 11, 2007.

**1 Claim, 7 Drawing Sheets**





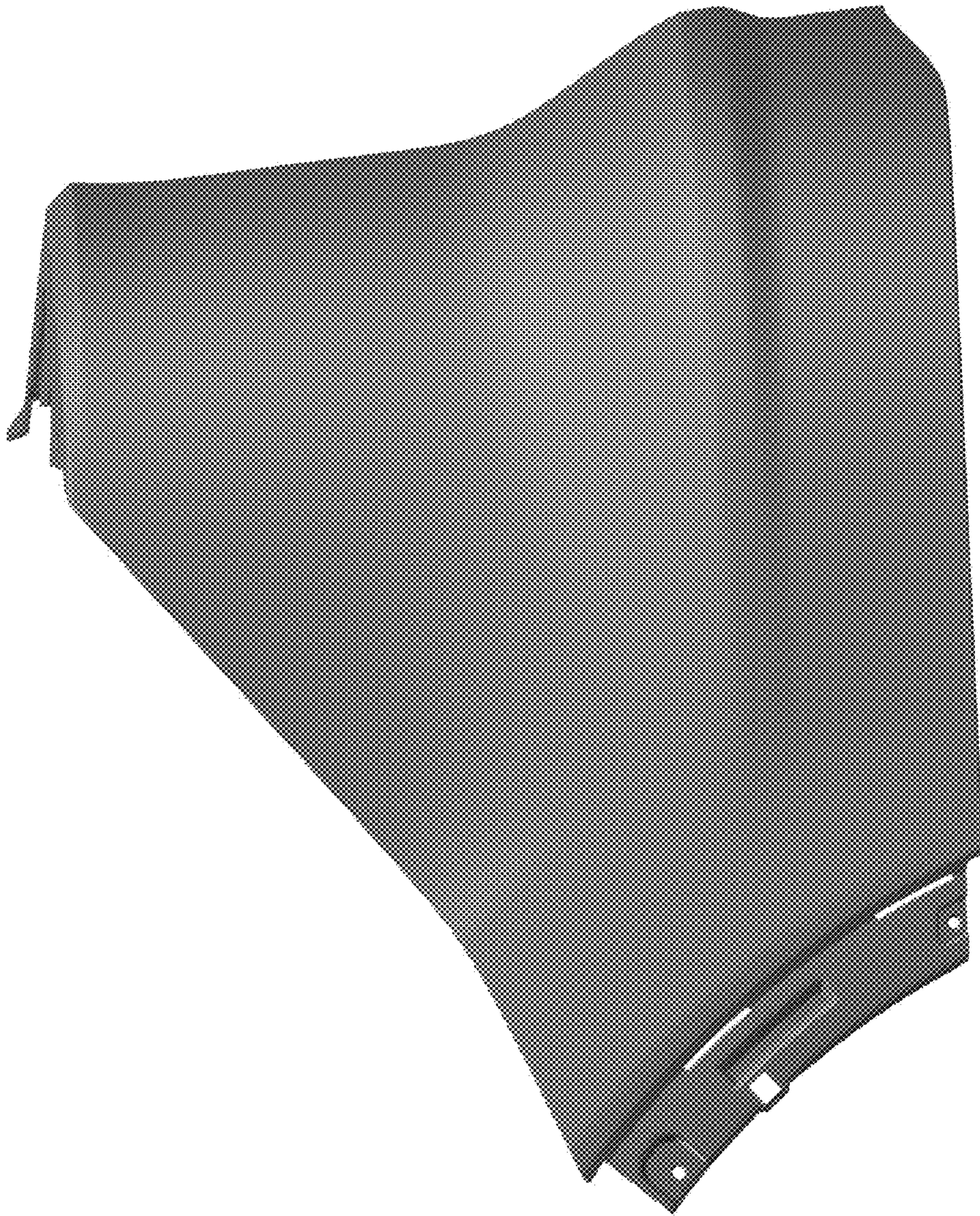


Figure 1



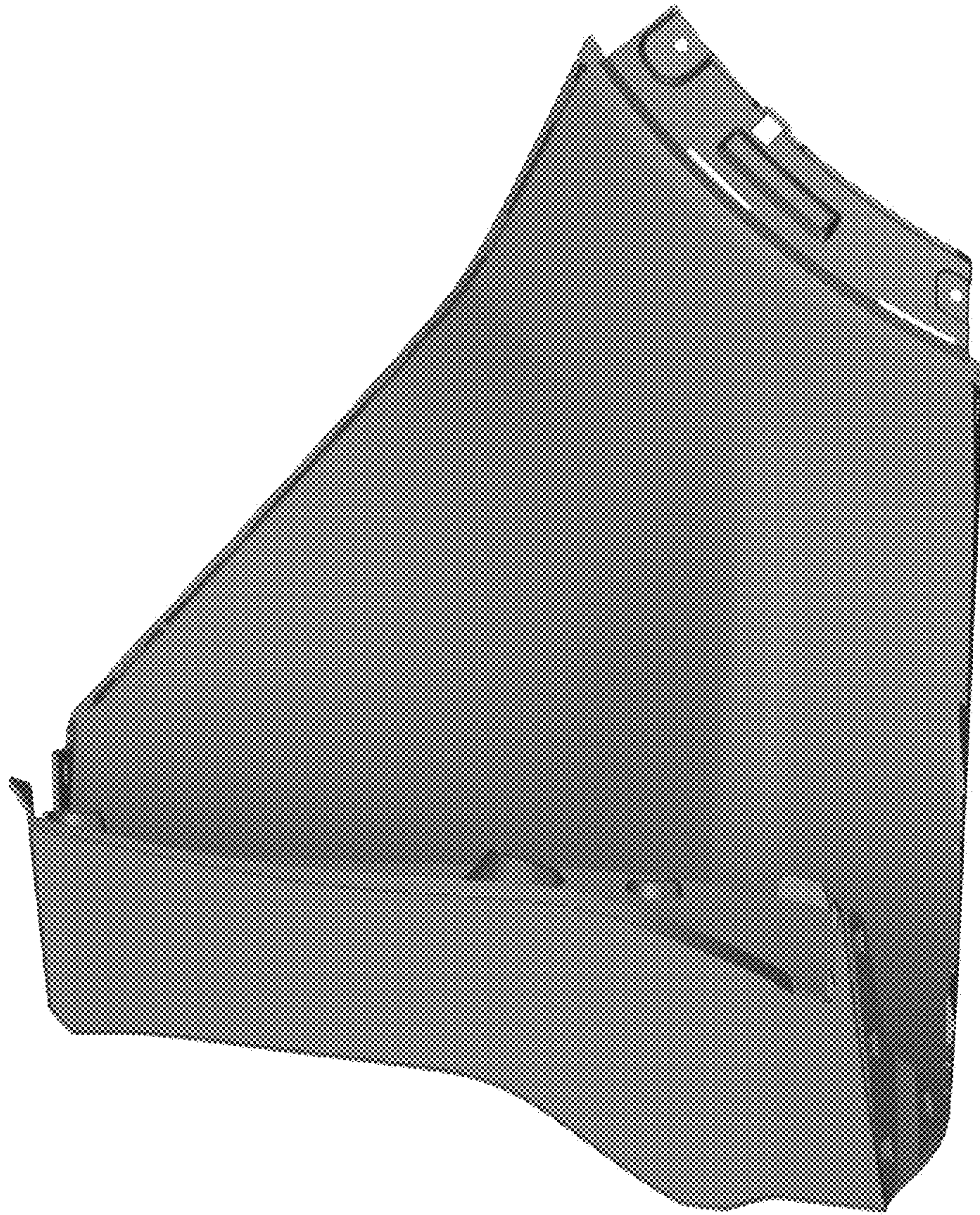


Figure 2

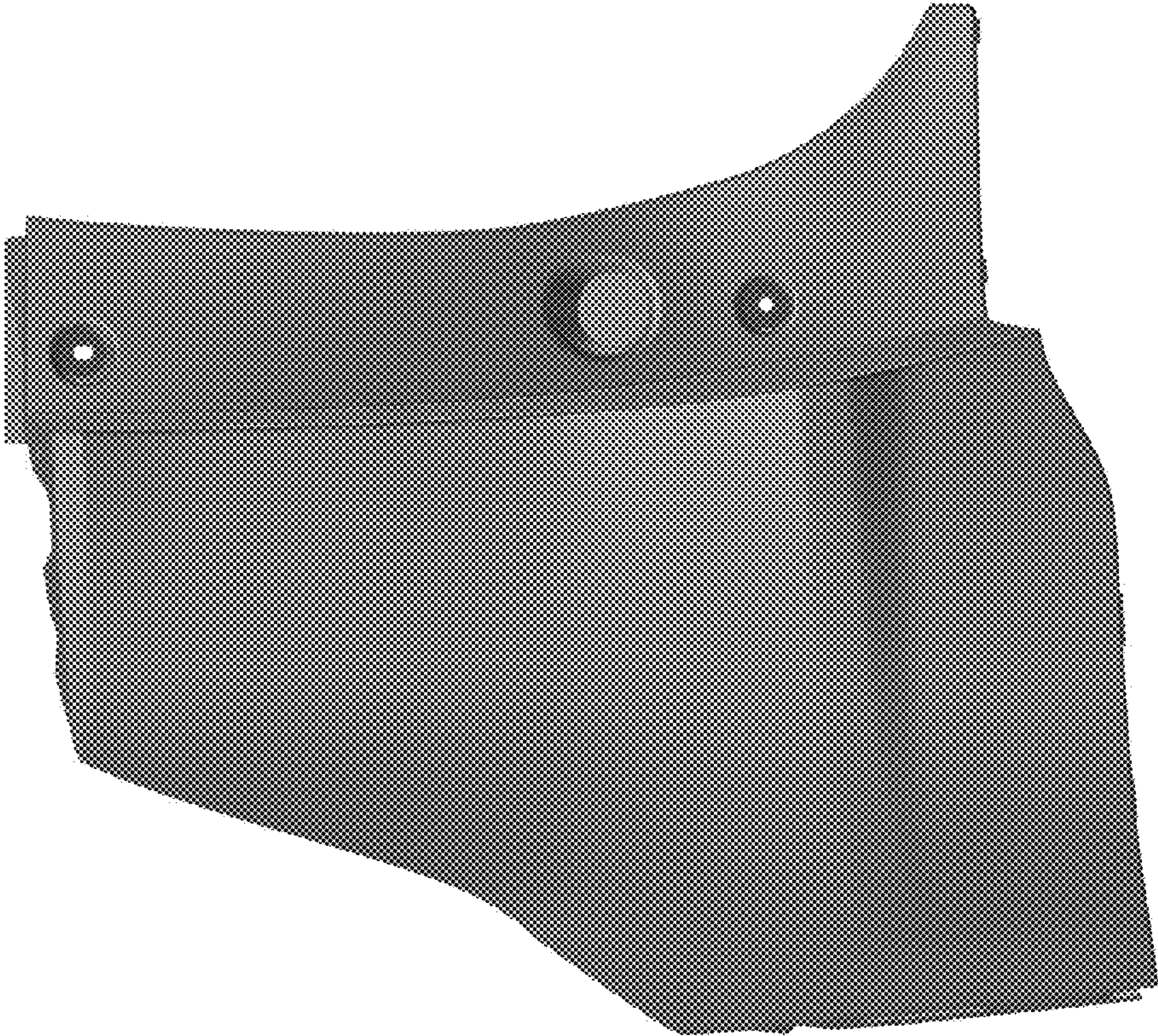


Figure 3



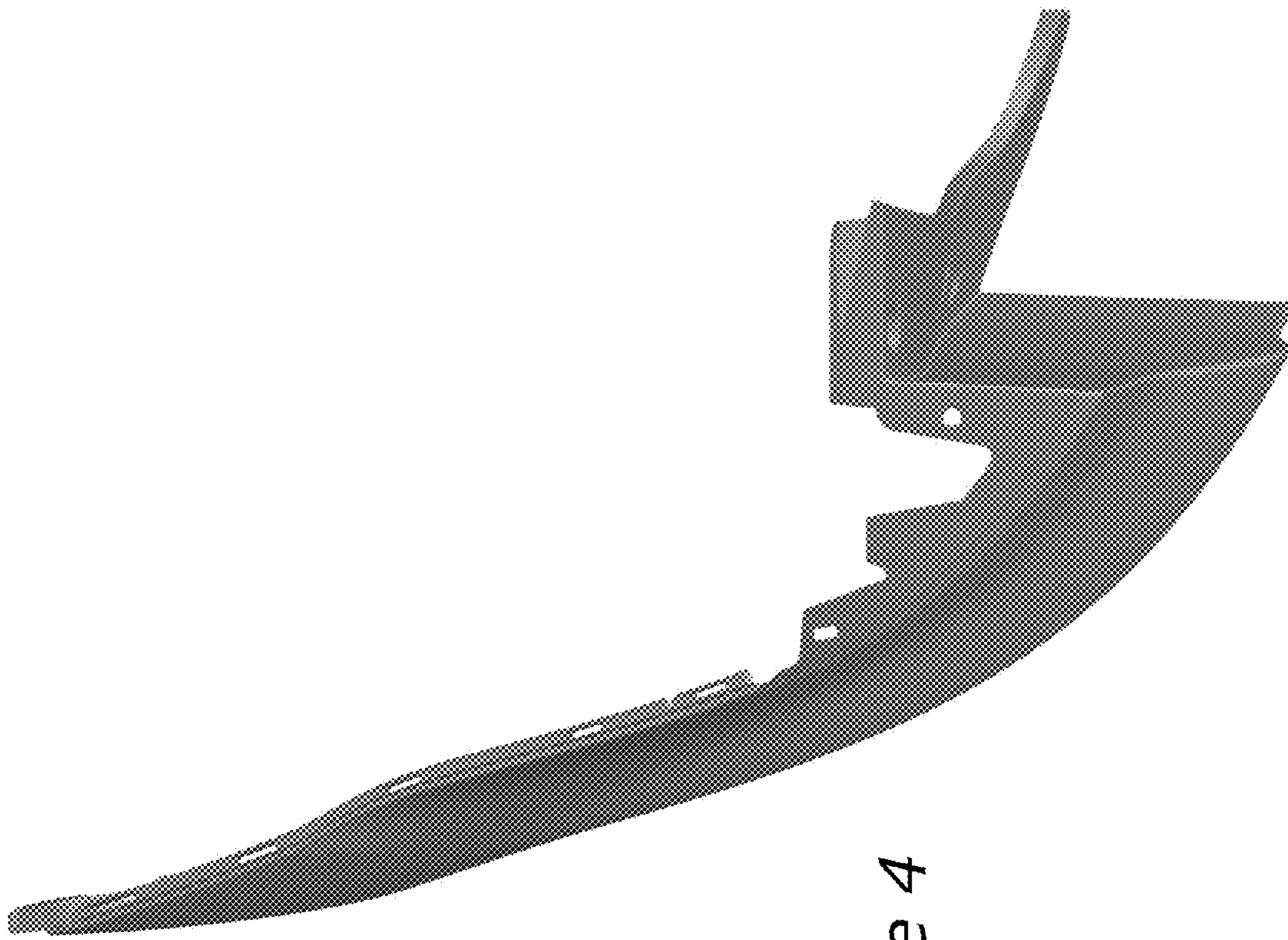


Figure 4

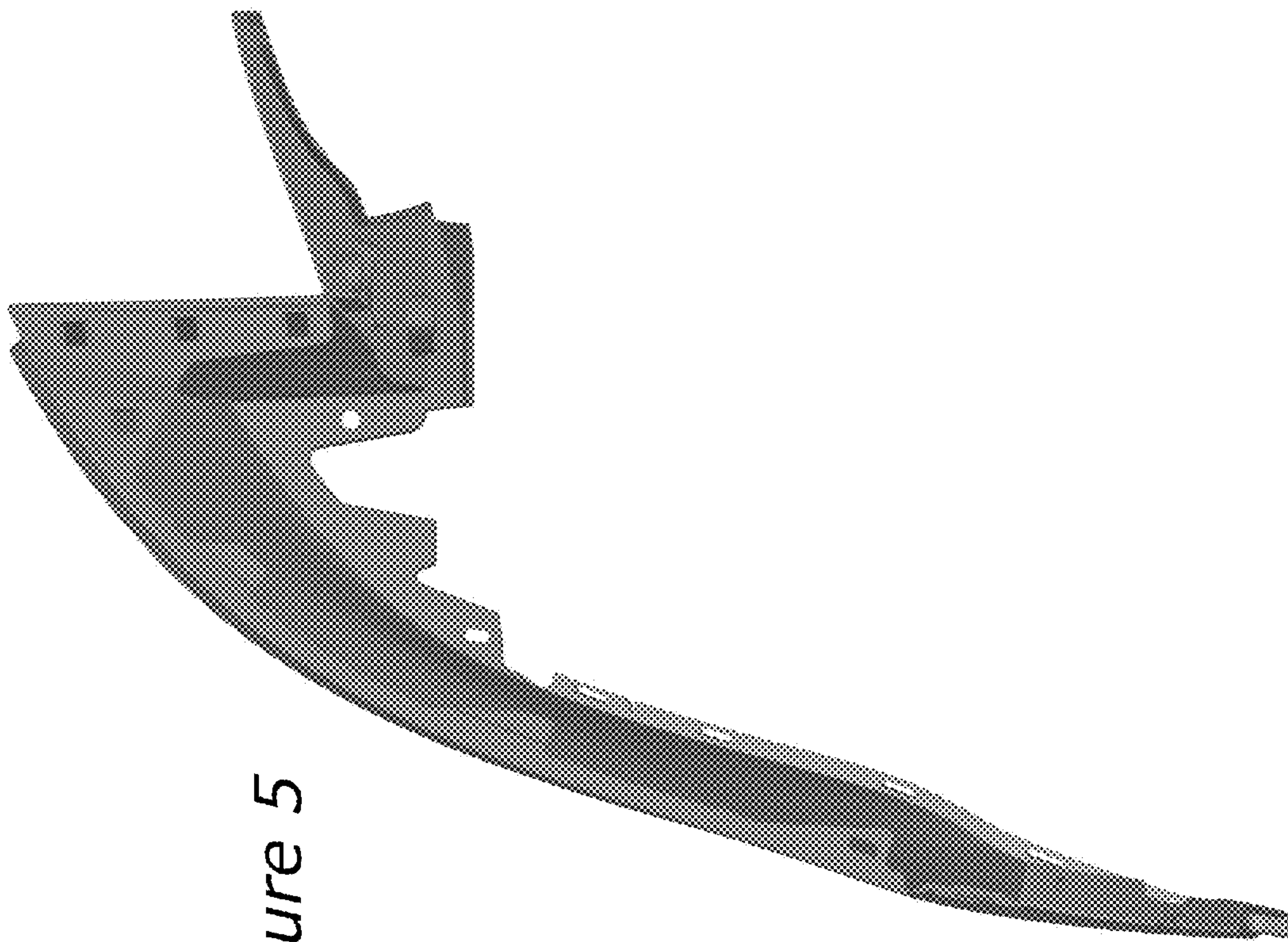


Figure 5



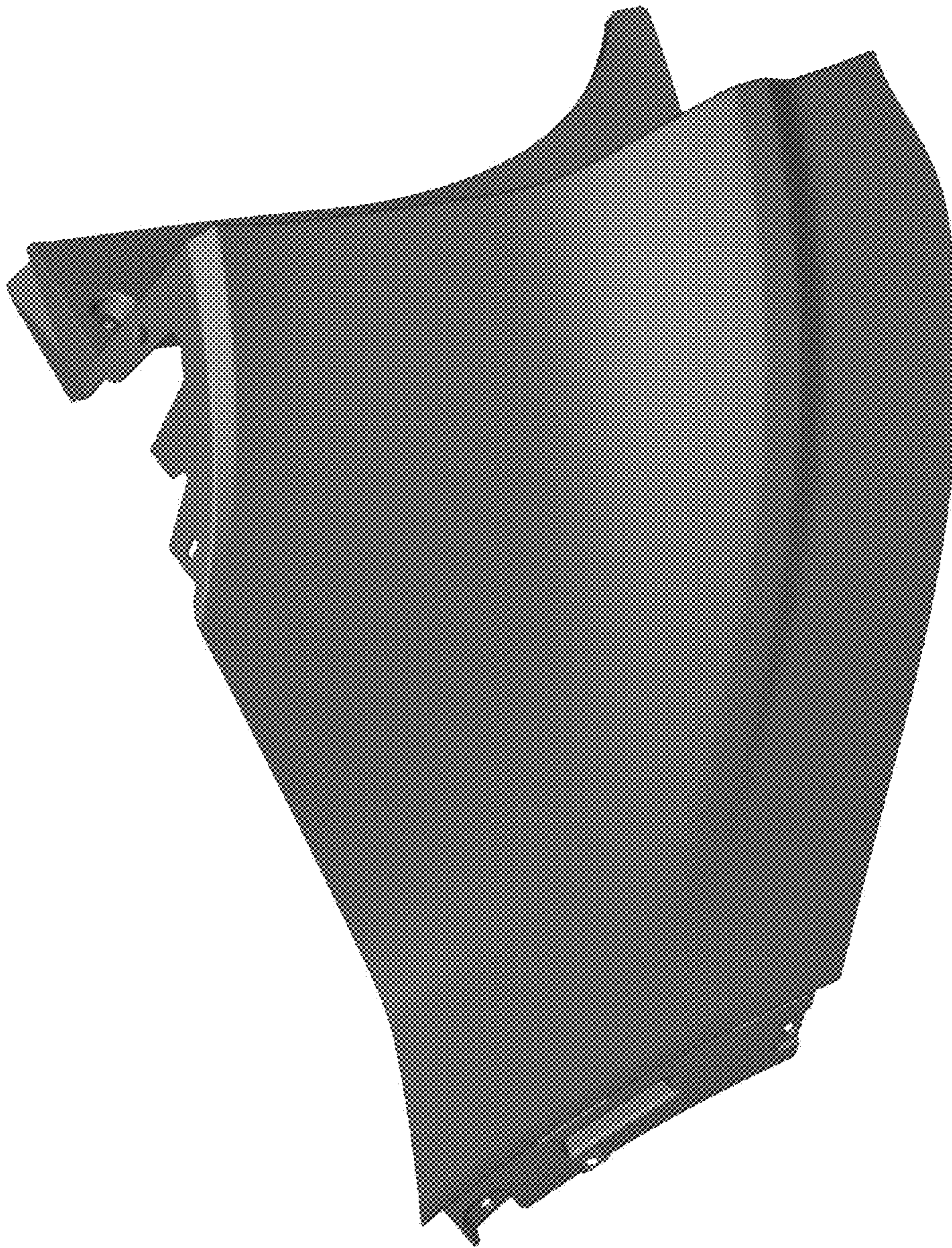


Figure 6



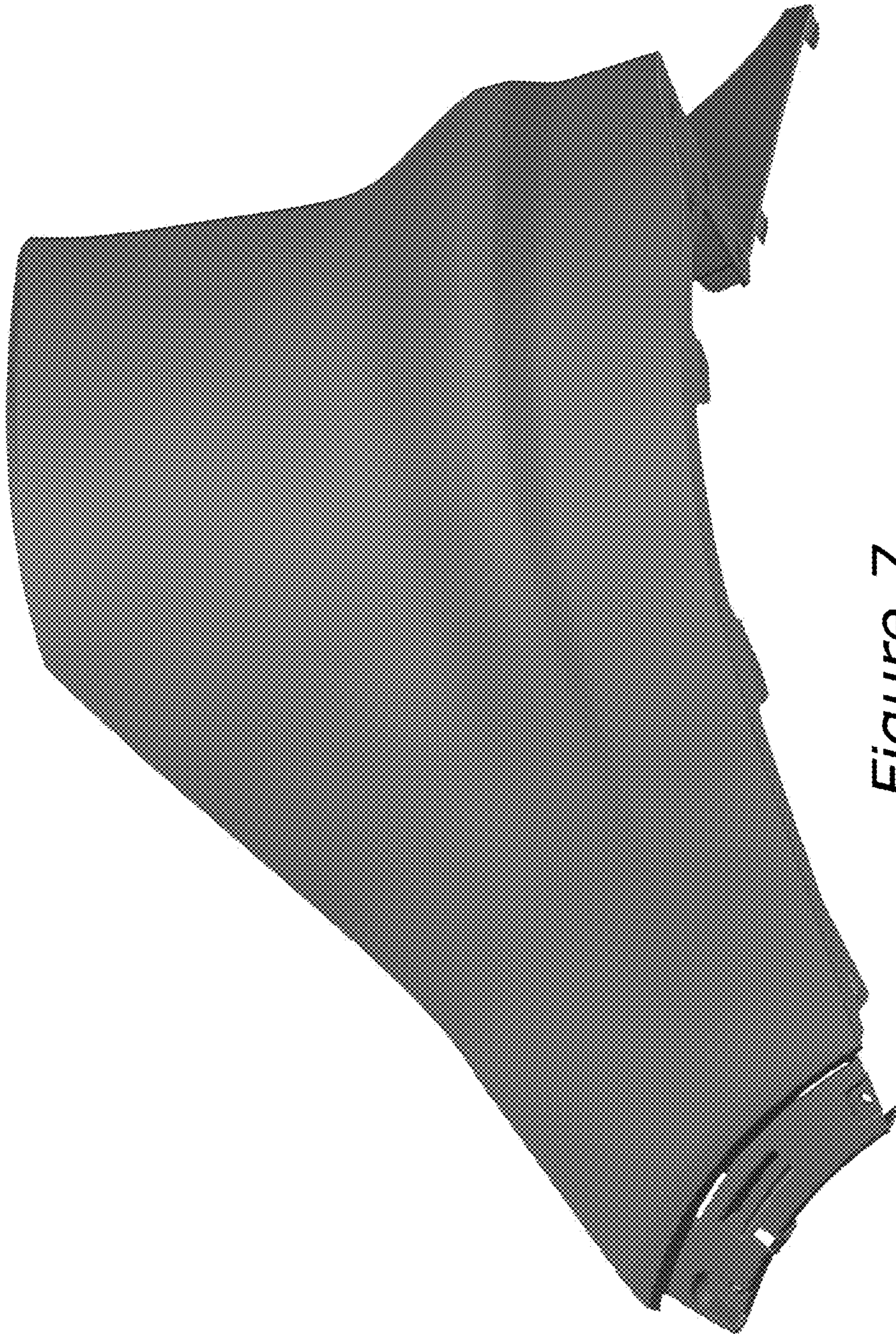


Figure 7