



US00D644575S

(12) **United States Design Patent**  
**Messale**

(10) **Patent No.:** **US D644,575 S**  
(45) **Date of Patent:** **\*\* Sep. 6, 2011**

(54) **VEHICLE REAR BUMPER COVER**

(75) Inventor: **Claudio Messale**, Köln (DE)

(73) Assignee: **Ford Global Technologies, LLC**,  
Dearborn, MI (US)

(\*\*) Term: **14 Years**

(21) Appl. No.: **29/382,797**

(22) Filed: **Jan. 7, 2011**

(51) **LOC (9) Cl.** ..... **12-16**

(52) **U.S. Cl.** ..... **D12/169**

(58) **Field of Classification Search** ..... D12/169,  
D12/196, 171, 216, 163, 86, 90-92; 293/102,  
293/113, 115, 117, 120; 296/180.1, 180.2  
See application file for complete search history.

(56) **References Cited**

U.S. PATENT DOCUMENTS

D540,226 S *	4/2007	Levy	.....	D12/169
D580,316 S	11/2008	Gueler et al.		
D610,056 S *	2/2010	Ishibashi	.....	D12/169
D610,503 S *	2/2010	Bucher et al.	.....	D12/169
D610,504 S *	2/2010	Bucher et al.	.....	D12/169
D627,276 S *	11/2010	Krugger et al.	.....	D12/169
D630,976 S *	1/2011	Clottu	.....	D12/169

OTHER PUBLICATIONS

Ford Kuga, Frankfurt Motot Show, Sep. 11, 2007.  
Ford Kuga, Geneva Auto Show, Mar. 2, 2010.

\* cited by examiner

*Primary Examiner* — Melody N Brown

(74) *Attorney, Agent, or Firm* — Damian Porcari

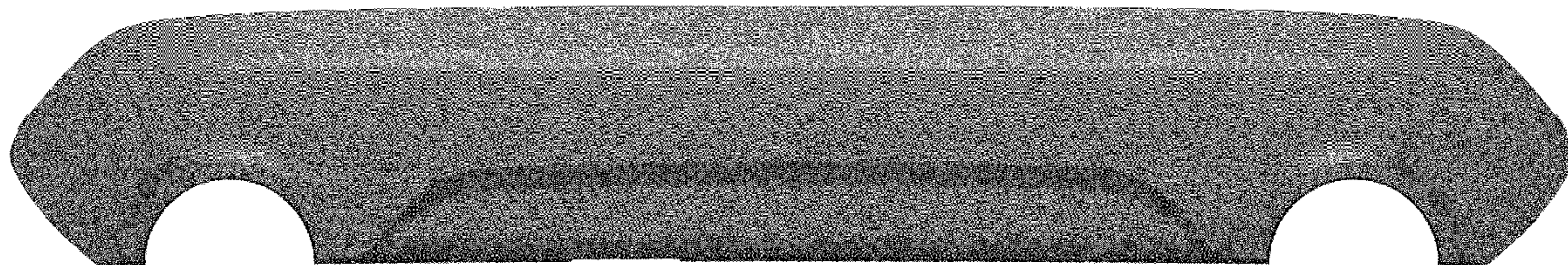
(57) **CLAIM**

The ornamental design for a vehicle rear bumper cover, as shown and described.

**DESCRIPTION**

FIG. 1 is a top plan view of a vehicle rear bumper cover;  
FIG. 2 is a bottom plan view of the vehicle rear bumper cover;  
FIG. 3 is a front elevational view of the vehicle rear bumper cover;  
FIG. 4 is a left side elevational view of the vehicle rear bumper cover;  
FIG. 5 is a right side elevational view of the vehicle rear bumper cover;  
FIG. 6 is a perspective view of the vehicle rear bumper cover;  
and,  
FIG. 7 is another perspective view of the vehicle rear bumper cover.

**1 Claim, 7 Drawing Sheets**



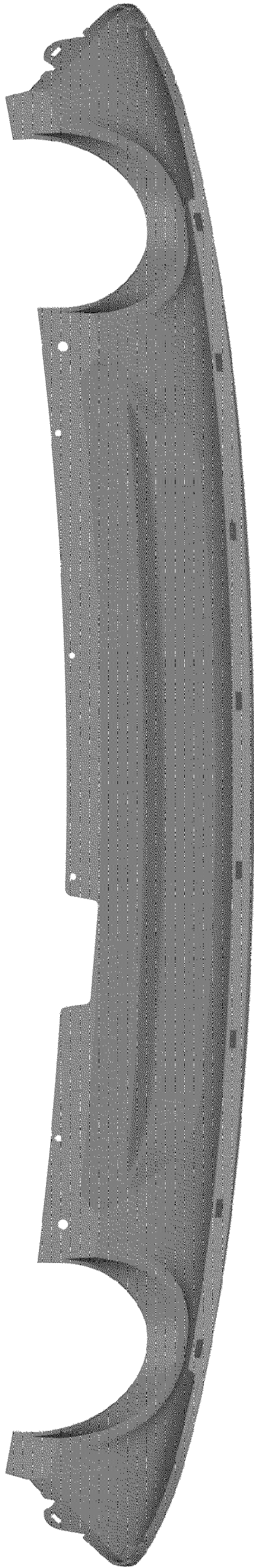


Figure 1

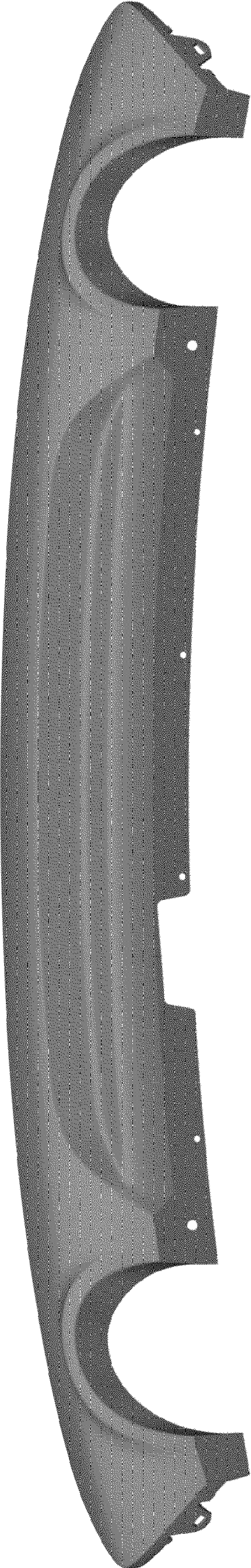
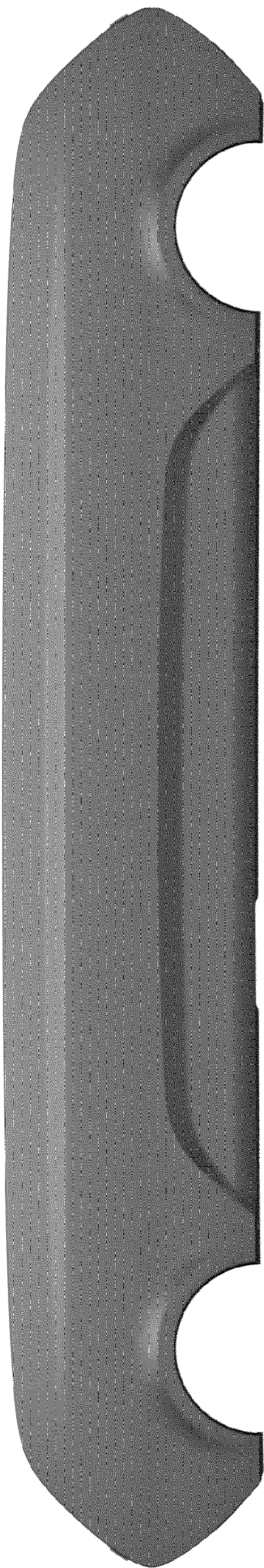
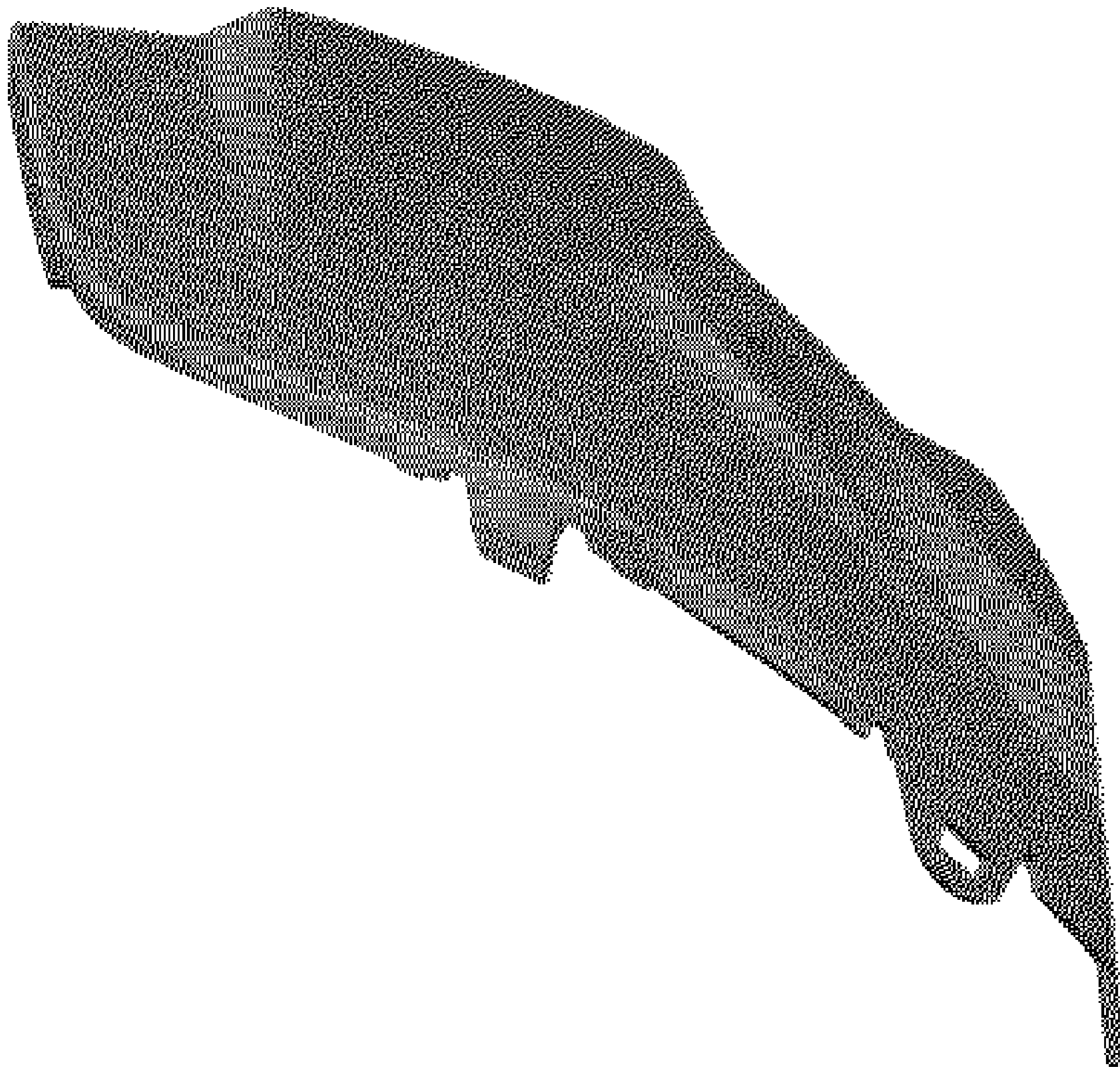


Figure 2



*Figure 3*



**Figure 4**

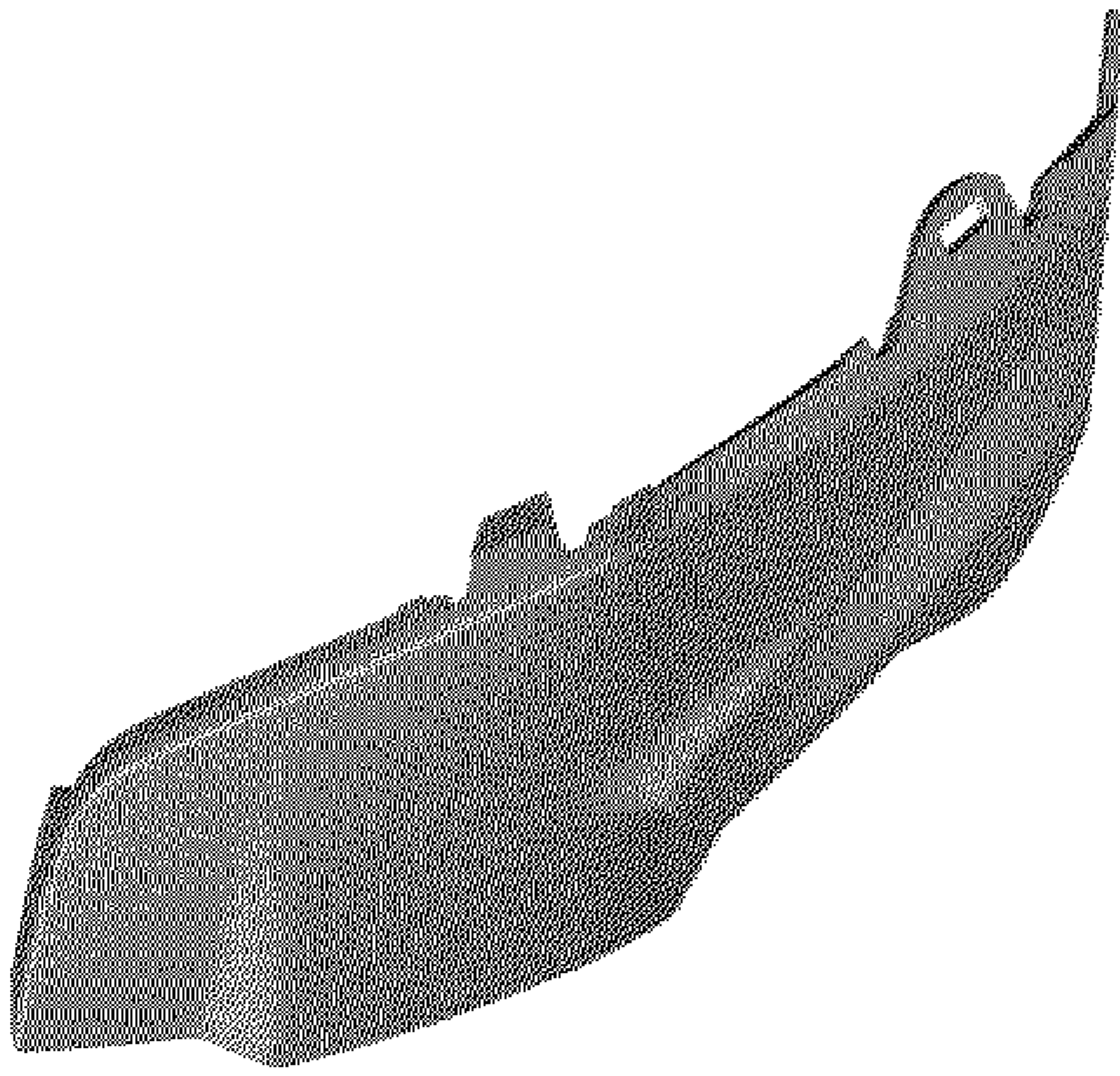
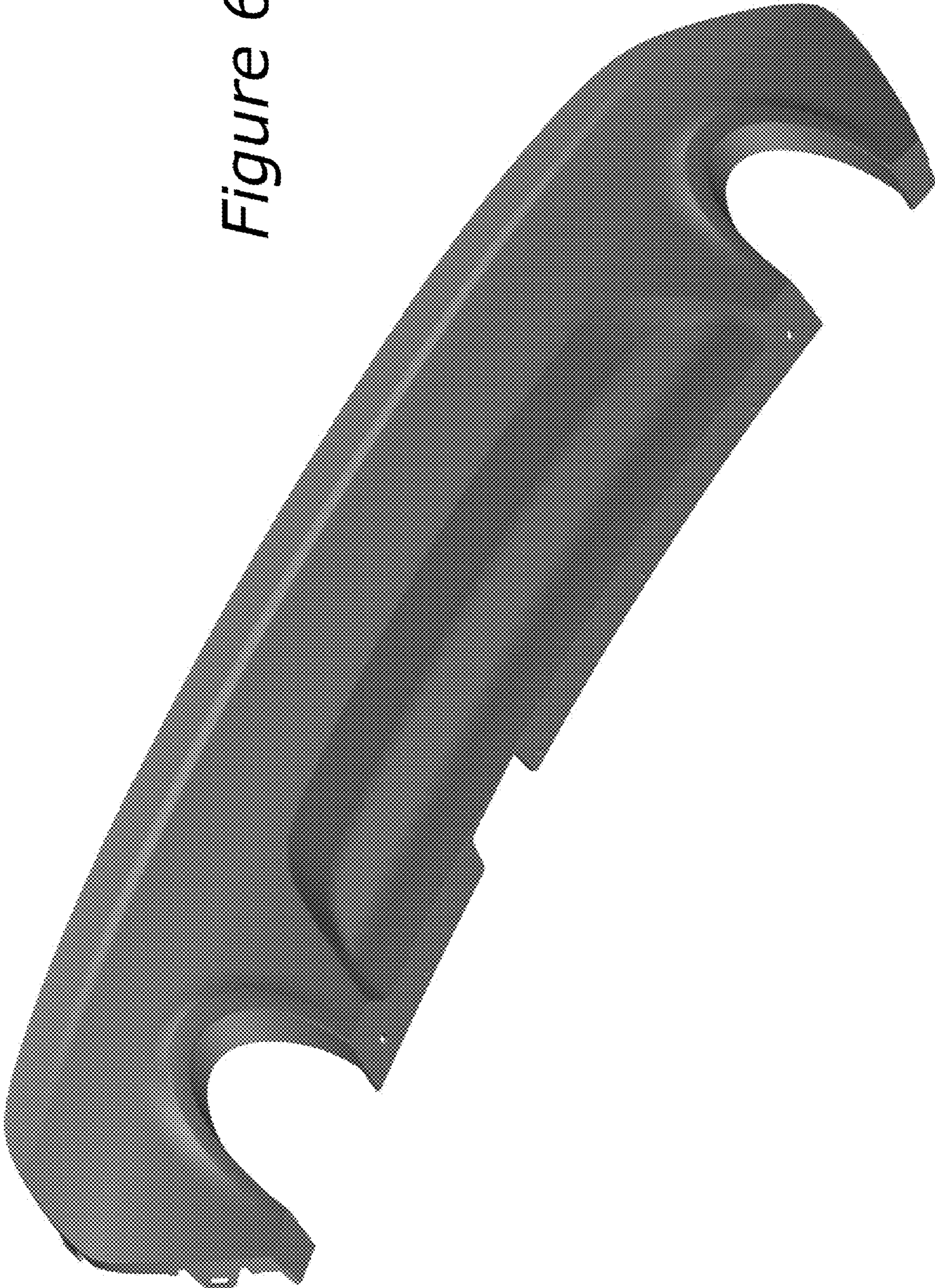


Figure 5

Figure 6



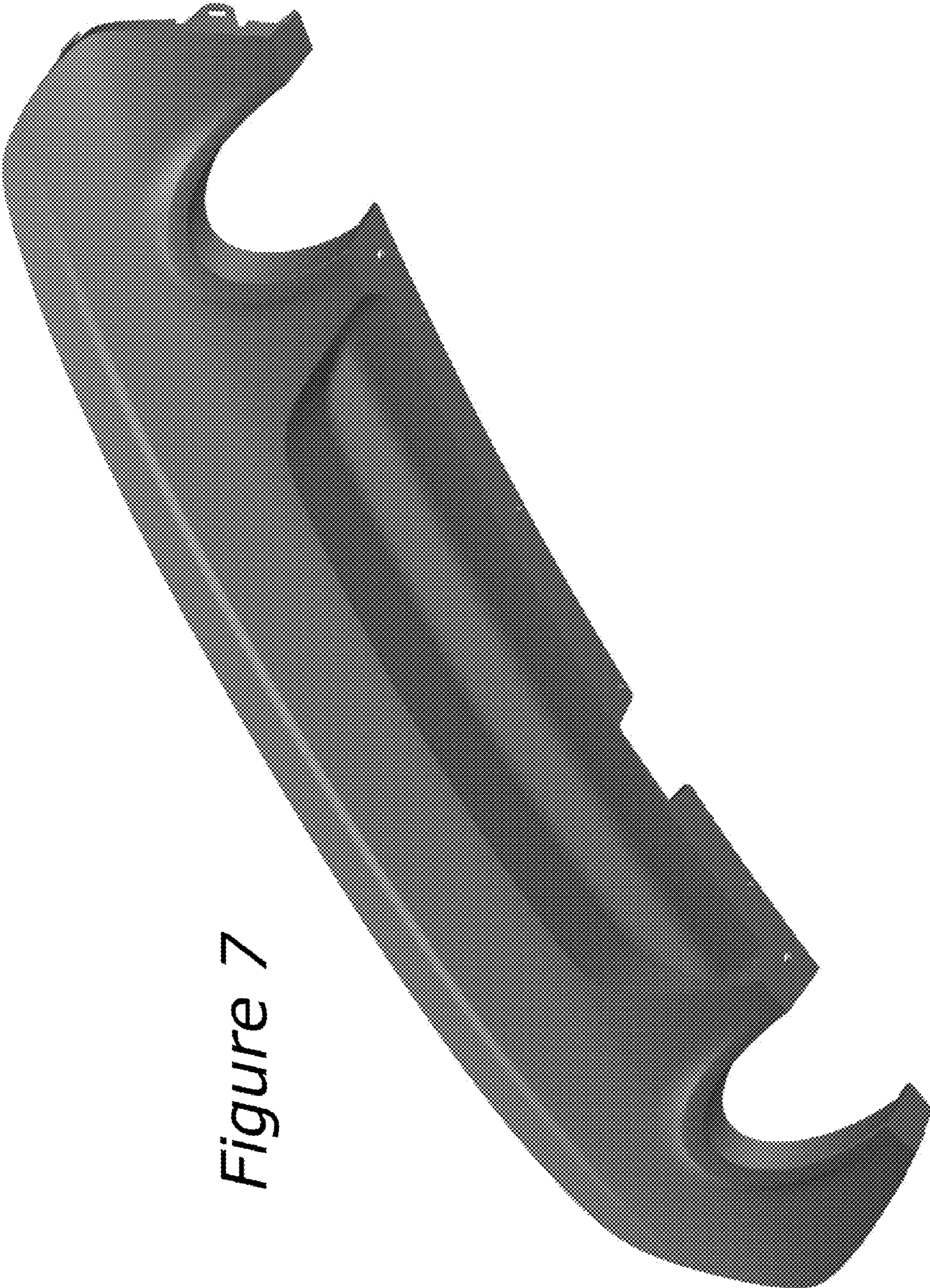


Figure 7