



US00D644574S

(12) **United States Design Patent**  
**Vardis**

(10) **Patent No.:** **US D644,574 S**  
(45) **Date of Patent:** **\*\* Sep. 6, 2011**

(54) **VEHICLE FRONT BUMPER SPLITTER**

(75) Inventor: **Nicholas Vardis**, Sylvan Lake, MI (US)

(73) Assignee: **Chrysler Group LLC**, Auburn Hills, MI (US)

(\*\*) Term: **14 Years**

(21) Appl. No.: **29/382,775**

(22) Filed: **Jan. 7, 2011**

(51) **LOC (9) Cl.** ..... **12-16**

(52) **U.S. Cl.** ..... **D12/169**

(58) **Field of Classification Search** ..... D12/169,  
D12/196, 171, 216, 163, 86, 90-92, 190;  
293/102, 113, 115, 117, 120; 296/180.1,  
296/180.2

See application file for complete search history.

(56) **References Cited**

U.S. PATENT DOCUMENTS

D545,248 S *	6/2007	Angelo et al.	.....	D12/169
D556,655 S *	12/2007	Dixon	.....	D12/181
D560,145 S *	1/2008	Tant et al.	.....	D12/169
D566,632 S *	4/2008	Hutchins	.....	D12/169
D568,220 S *	5/2008	Okamoto et al.	.....	D12/196

D576,928 S *	9/2008	Miyazaki	.....	D12/169
D590,753 S *	4/2009	Williams et al.	.....	D12/169
D592,571 S *	5/2009	Golden et al.	.....	D12/169
D592,572 S *	5/2009	Golden et al.	.....	D12/169
D600,606 S *	9/2009	Lamm	.....	D12/169
D601,063 S *	9/2009	Lamm	.....	D12/169
D603,308 S *	11/2009	Schiavone et al.	.....	D12/169
D617,695 S *	6/2010	Lamm et al.	.....	D12/169

\* cited by examiner

*Primary Examiner* — Melody N Brown

(74) *Attorney, Agent, or Firm* — Ralph E. Smith

(57) **CLAIM**

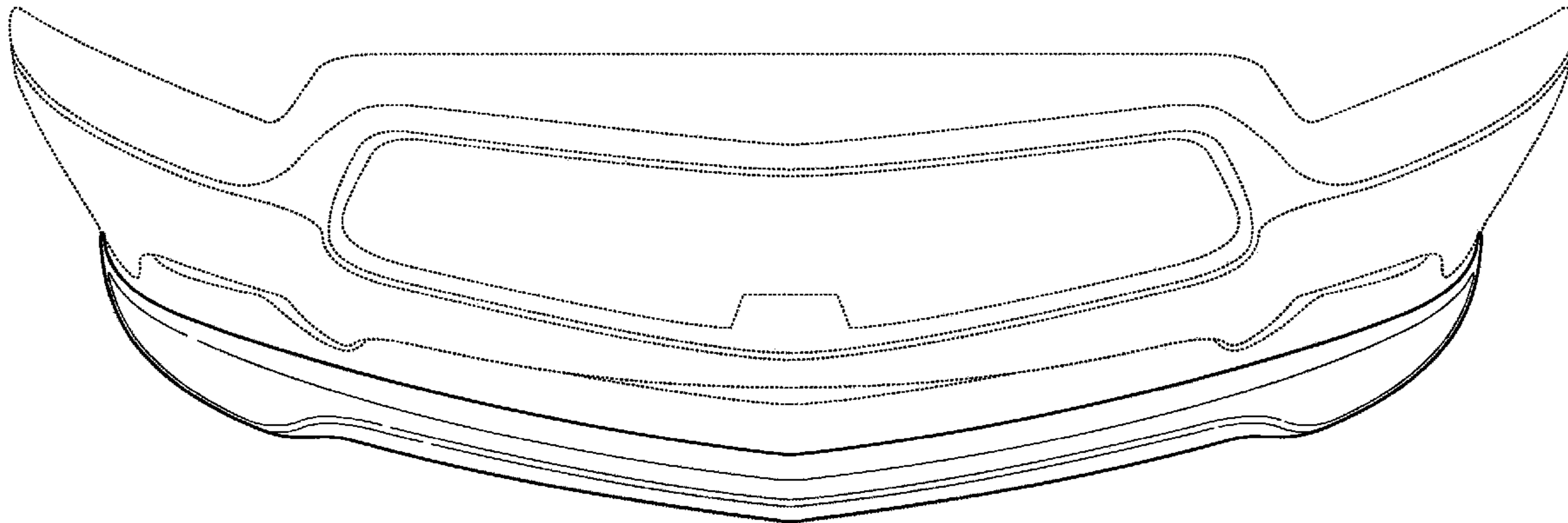
The ornamental design for a vehicle front bumper splitter, as shown and described.

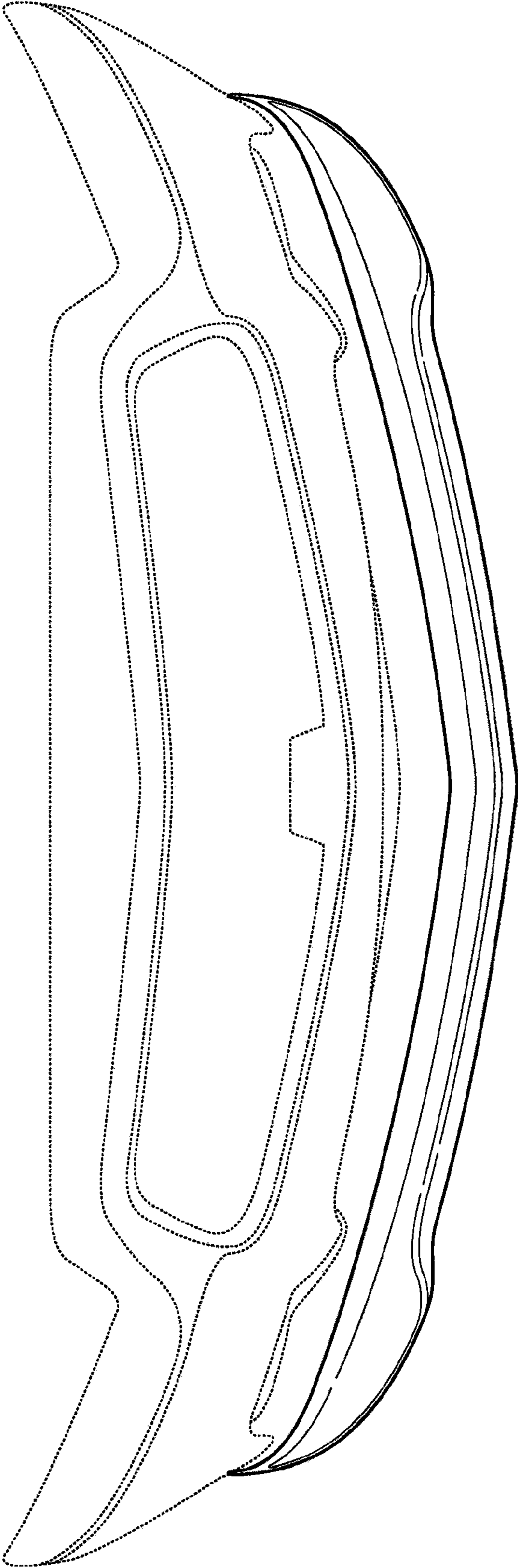
**DESCRIPTION**

FIG. 1 is a top plan view of a vehicle front bumper splitter showing the new design; FIG. 2 is a front view thereof; FIG. 3 is a right perspective view thereof; and, FIG. 4 is a left perspective view thereof.

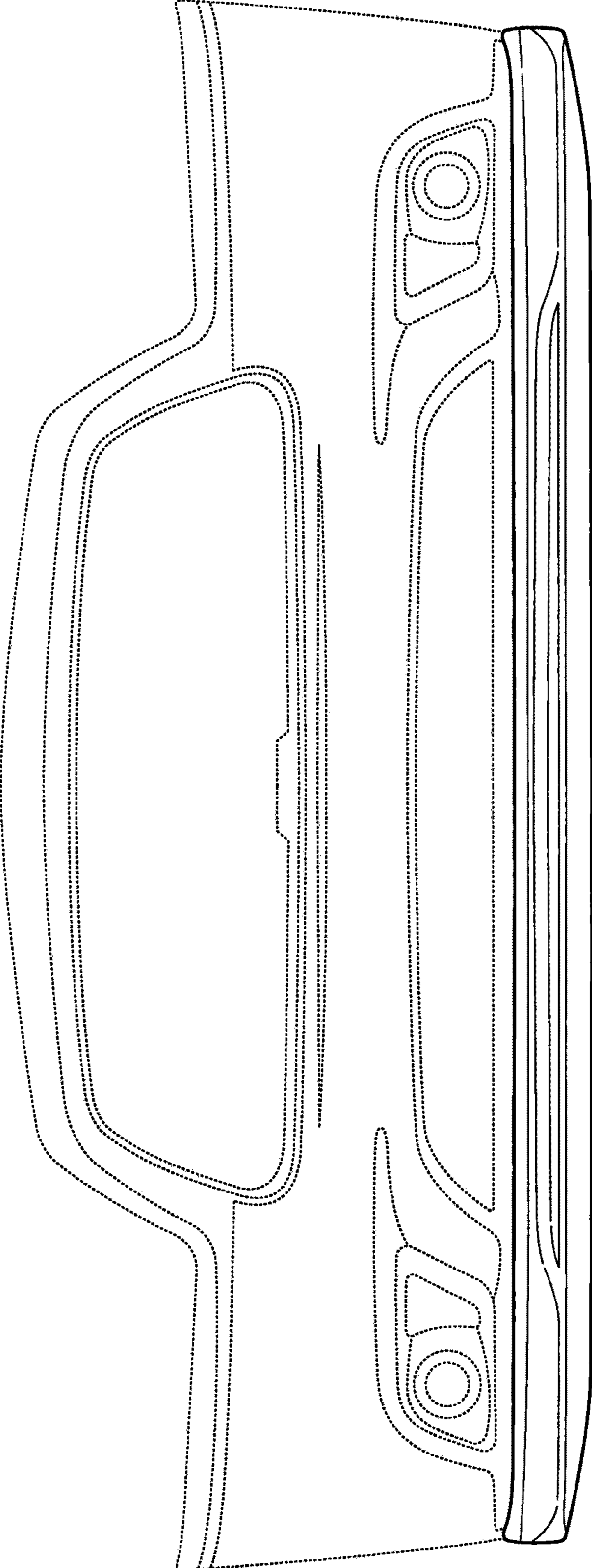
It will be understood that the broken lines presented in the drawings are for illustration only, and do not form a part of the claimed design.

**1 Claim, 4 Drawing Sheets**

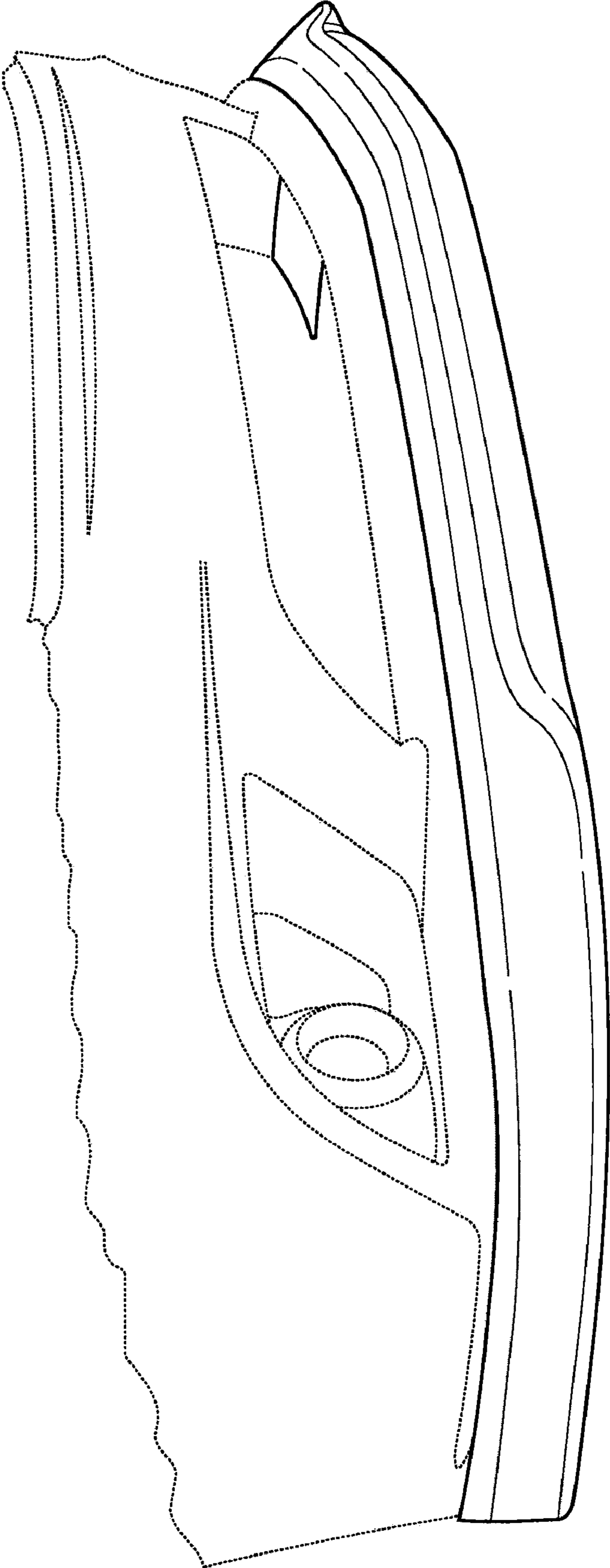




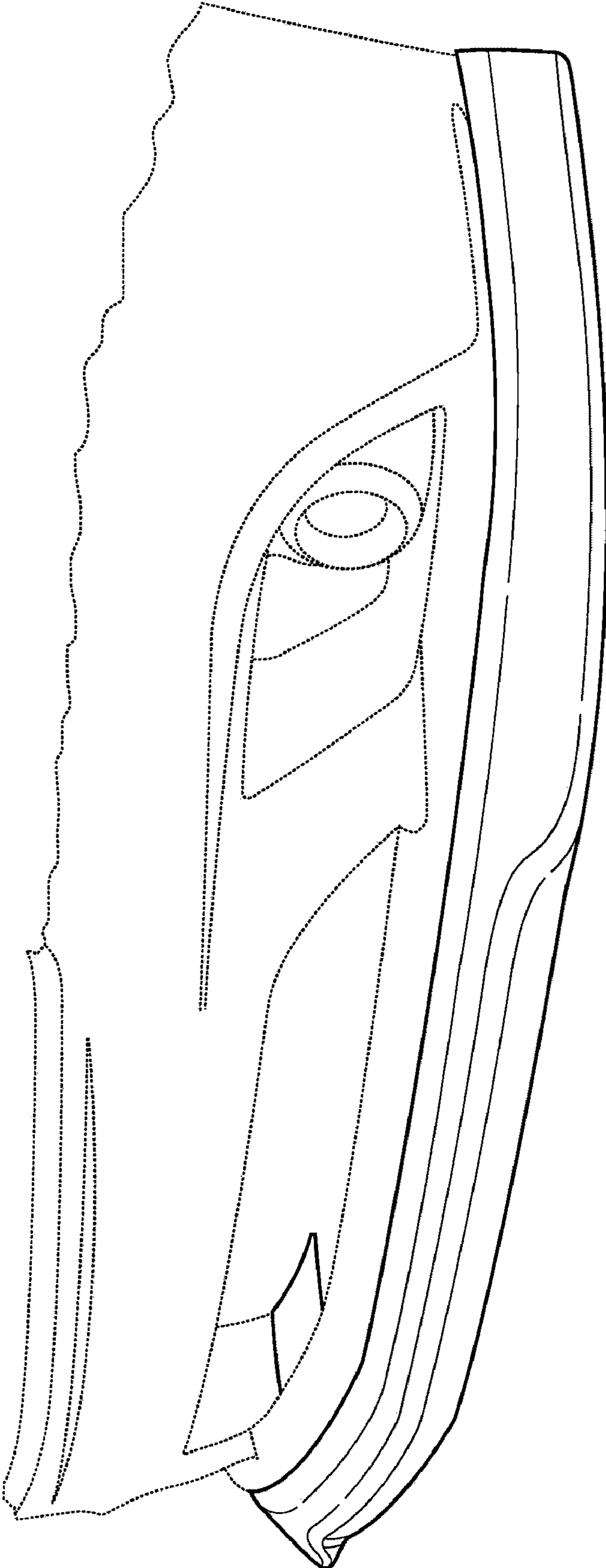
**FIG. 1**



**FIG. 2**



**FIG. 3**



**FIG. 4**