



US00D644572S

(12) **United States Design Patent**
Edick

(10) **Patent No.:** **US D644,572 S**

(45) **Date of Patent:** **** Sep. 6, 2011**

(54) **HITCH AND CUSTOMIZABLE ROUND
HITCH COVER COMBINATION**

(76) Inventor: **James W. Edick**, Golden Valley, AZ
(US)

(**) Term: **14 Years**

(21) Appl. No.: **29/366,018**

(22) Filed: **Jul. 19, 2010**

(51) **LOC (9) Cl.** **12-16**

(52) **U.S. Cl.** **D12/162**

(58) **Field of Classification Search** D12/162,
D12/400, 193; 280/504–507, 511, 495; 293/117;
150/166; D20/13, 27, 28; 40/590, 591
See application file for complete search history.

(56) **References Cited**

U.S. PATENT DOCUMENTS

D158,278	S	*	4/1950	Hammer	D20/10
D234,443	S	*	3/1975	Golub	D20/42
D244,197	S	*	5/1977	Ostroll	D20/28
D244,737	S	*	6/1977	Henry	D20/28
4,231,540	A	*	11/1980	Duncan et al.	248/487
D262,026	S	*	11/1981	Garan	D14/240
D279,799	S	*	7/1985	Kupperman et al.	D20/13
D311,504	S	*	10/1990	De Frahan	D11/79
D333,447	S	*	2/1993	Butler, Jr.	D11/80
D334,354	S	*	3/1993	McNally, Jr.	D11/81
D341,333	S	*	11/1993	Prout	D11/80
D358,615	S	*	5/1995	Cline	D20/22
D365,371	S	*	12/1995	Dunlap	D20/28
D367,444	S	*	2/1996	Davidson et al.	D12/126
5,603,178	A		2/1997	Morrison		
D382,704	S	*	8/1997	Petruzzi	D3/207
D404,770	S	*	1/1999	Meade et al.	D20/24
D411,953	S	*	7/1999	Wolff	D3/201
D412,938	S	*	8/1999	Kesselring et al.	D20/28
D415,457	S	*	10/1999	Young et al.	D12/162
D419,505	S		1/2000	Deerman		
D426,798	S		6/2000	Peroni		
6,079,136	A	*	6/2000	Kozlarek	40/541
D432,173	S	*	10/2000	Baker	D20/17
6,164,680	A	*	12/2000	Kluhsman	280/507
6,199,892	B1		3/2001	Dahl		

D442,879	S	*	5/2001	Mettier, Jr.	D11/83
D443,852	S	*	6/2001	Huang	D12/190
6,260,874	B1	*	7/2001	Smith et al.	280/507
D447,332	S	*	9/2001	Pisarevsky	D3/207
D456,016	S	*	4/2002	Denson	D14/232
D456,389	S	*	4/2002	Denson	D14/232
6,439,595	B1	*	8/2002	Cheng et al.	280/507

(Continued)

Primary Examiner — T. Chase Nelson

Assistant Examiner — John Windmuller

(74) *Attorney, Agent, or Firm* — Montgomery Patent and Design; Robert C. Montgomery; Joseph T. Yaksich

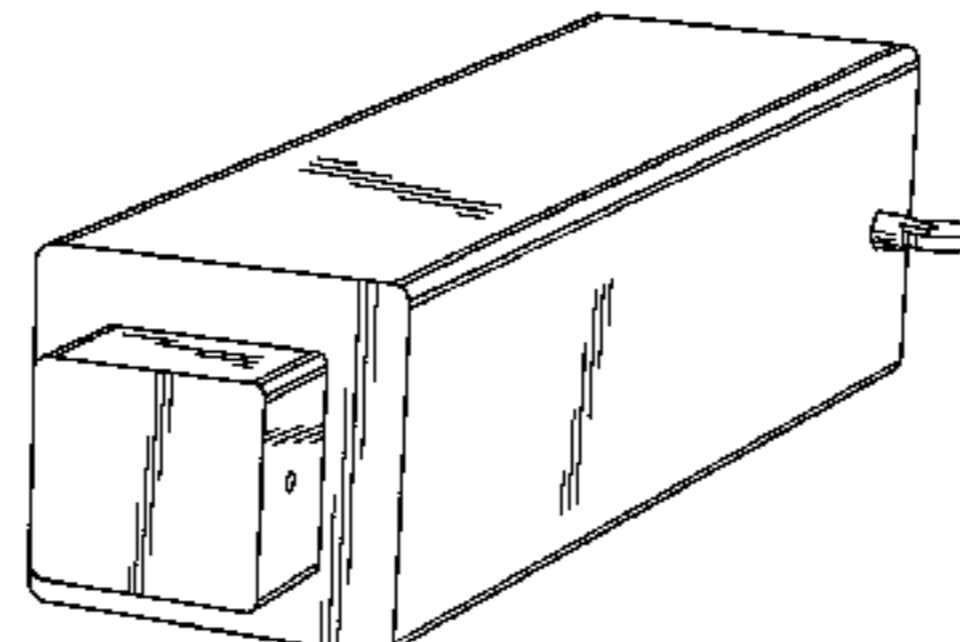
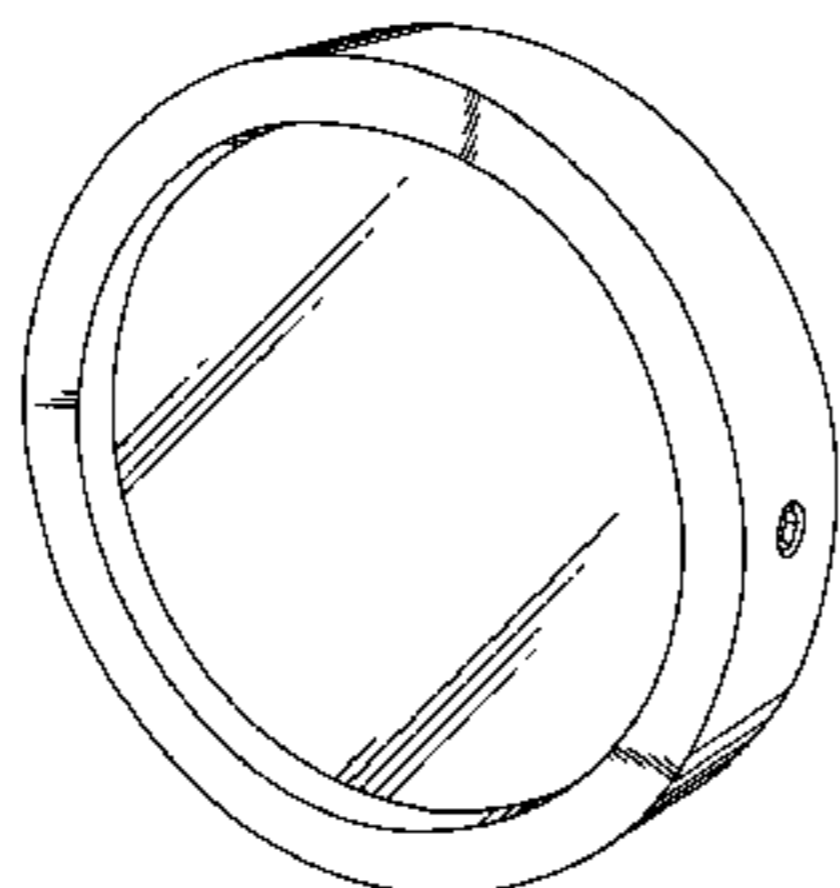
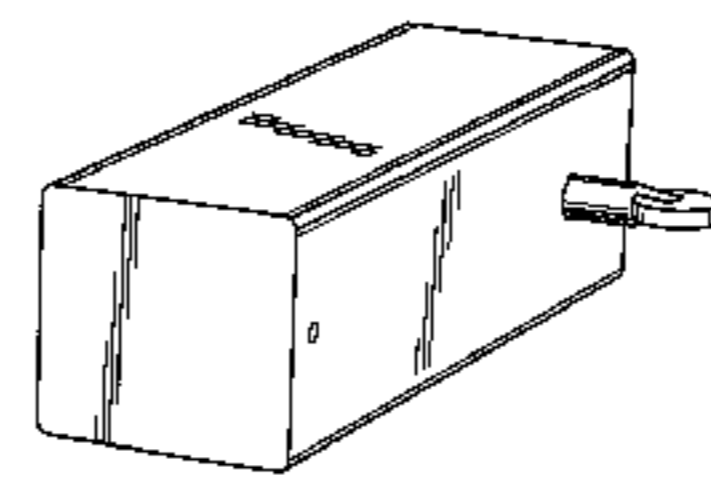
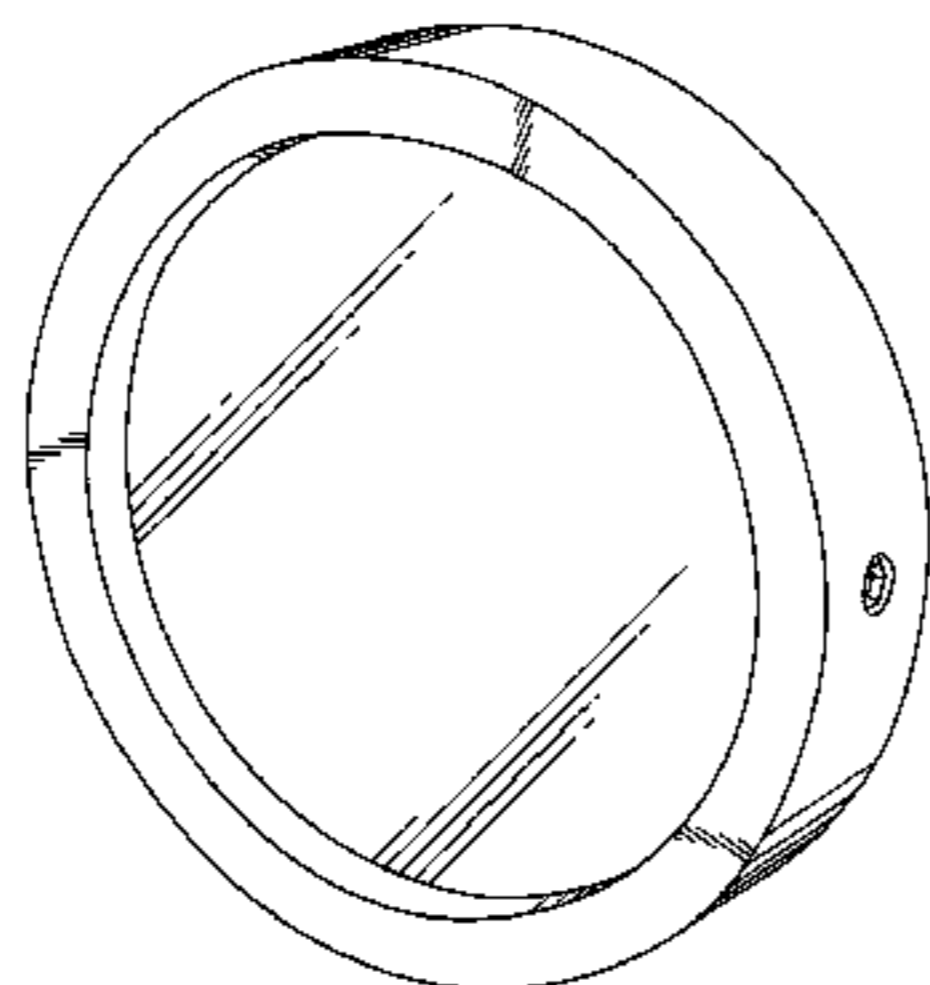
(57) **CLAIM**

The ornamental design for hitch and customizable round hitch cover combination, as shown and described.

DESCRIPTION

FIG. 1 is a front perspective view of a first embodiment of a hitch and customizable round hitch cover combination showing my new design;
 FIG. 2 is a top rear perspective view thereof;
 FIG. 3 is a bottom rear perspective view thereof;
 FIG. 4 is a front perspective view of a second embodiment of a hitch and customizable round hitch cover combination showing my new design;
 FIG. 5 is a top rear perspective view thereof;
 FIG. 6 is a bottom rear perspective view thereof;
 FIG. 7 is an front perspective view of the customizable round hitch cover of the hitch and customizable round hitch cover combination shown separately for ease of disclosure only;
 FIG. 8 is a front elevation view thereof;
 FIG. 9 is a rear elevation view thereof;
 FIG. 10 is a right side elevation view thereof;
 FIG. 11 is a left side elevation view thereof;
 FIG. 12 is a top plan view thereof; and,
 FIG. 13 is a bottom plan view thereof.
 The oblique views shown in FIGS. 1 through 6 are depicted slightly smaller for illustrative purposes only.

1 Claim, 10 Drawing Sheets



US D644,572 S

Page 2

U.S. PATENT DOCUMENTS

D464,295	S *	10/2002	Bonzer	D12/162
6,463,686	B1	10/2002	Eisenbraun		
D471,137	S *	3/2003	Shepherd et al.	D12/162
D477,367	S *	7/2003	Gaines et al.	D20/17
D480,338	S	10/2003	Harwood		
D494,998	S *	8/2004	Blanke, Jr.	D19/3
D500,808	S *	1/2005	Howard	D20/28
D503,663	S *	4/2005	Kolflat	D12/162
6,874,805	B2 *	4/2005	Bagley	280/507
D506,711	S *	6/2005	Ruiz et al.	D12/162
6,908,096	B2 *	6/2005	Lewis et al.	280/507
D514,479	S *	2/2006	Wang	D12/162
D519,424	S	4/2006	Fisher		
D529,418	S *	10/2006	Muhlnickel	D12/162
D533,101	S *	12/2006	McDonald	D11/79
D541,872	S *	5/2007	Houle	D20/30
D553,548	S *	10/2007	Douglas	D12/194
D563,301	S *	3/2008	Douglas	D12/194
D569,915	S *	5/2008	Zu	D20/43
7,419,177	B2 *	9/2008	Kottke et al.	280/511
D605,100	S *	12/2009	Douglas	D12/194
D616,503	S *	5/2010	Scatterday	D20/99
D623,696	S *	9/2010	Zemel	D20/28
D636,819	S *	4/2011	Walker	D20/28
2004/0046361	A1 *	3/2004	Lewis et al.	280/507
2010/0058632	A1 *	3/2010	Love	40/591

* cited by examiner

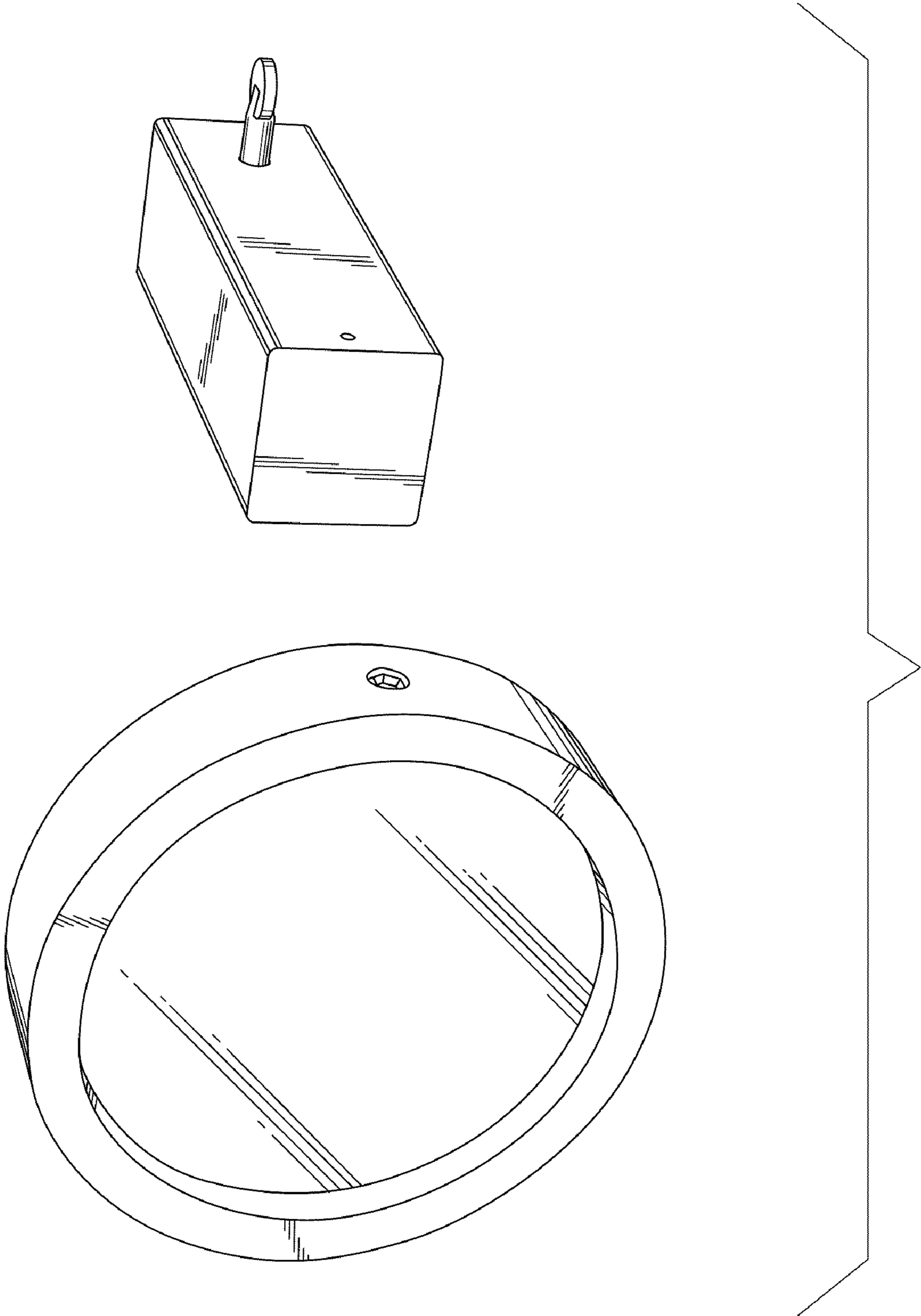


Fig. 1

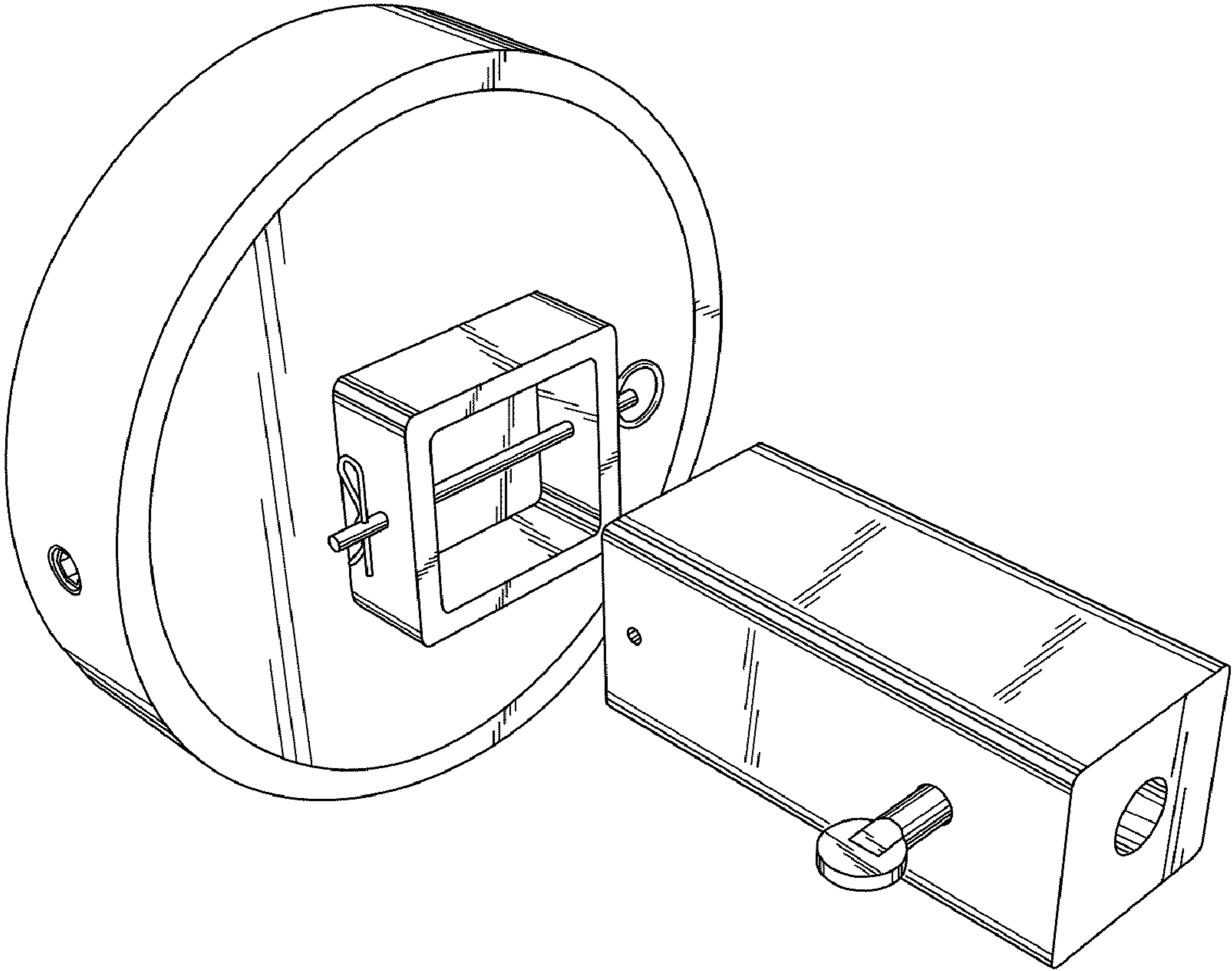


Fig. 2

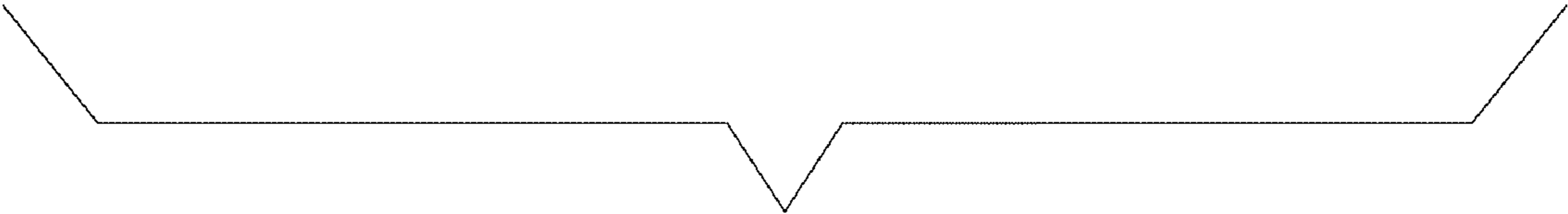
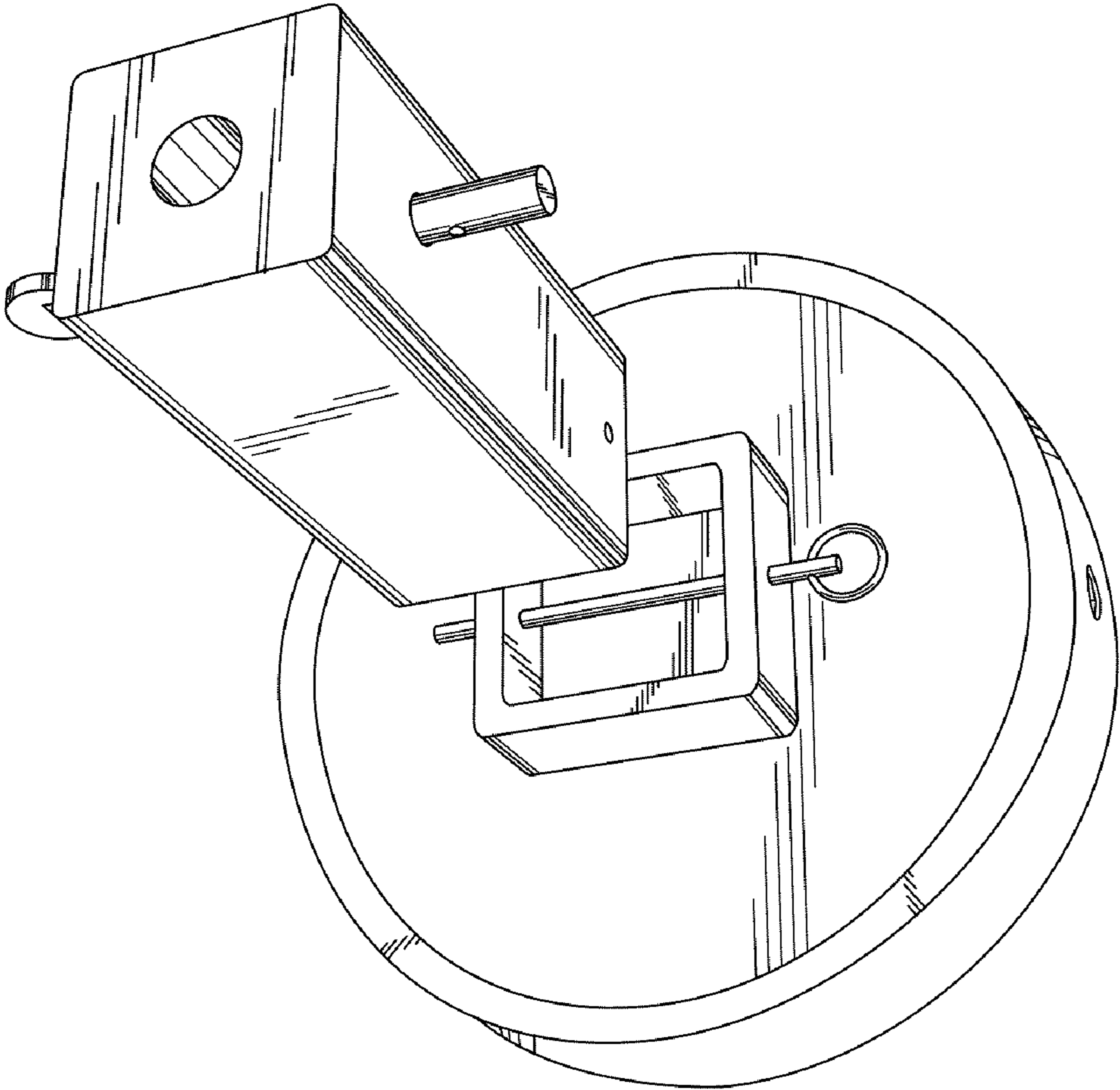


Fig. 3

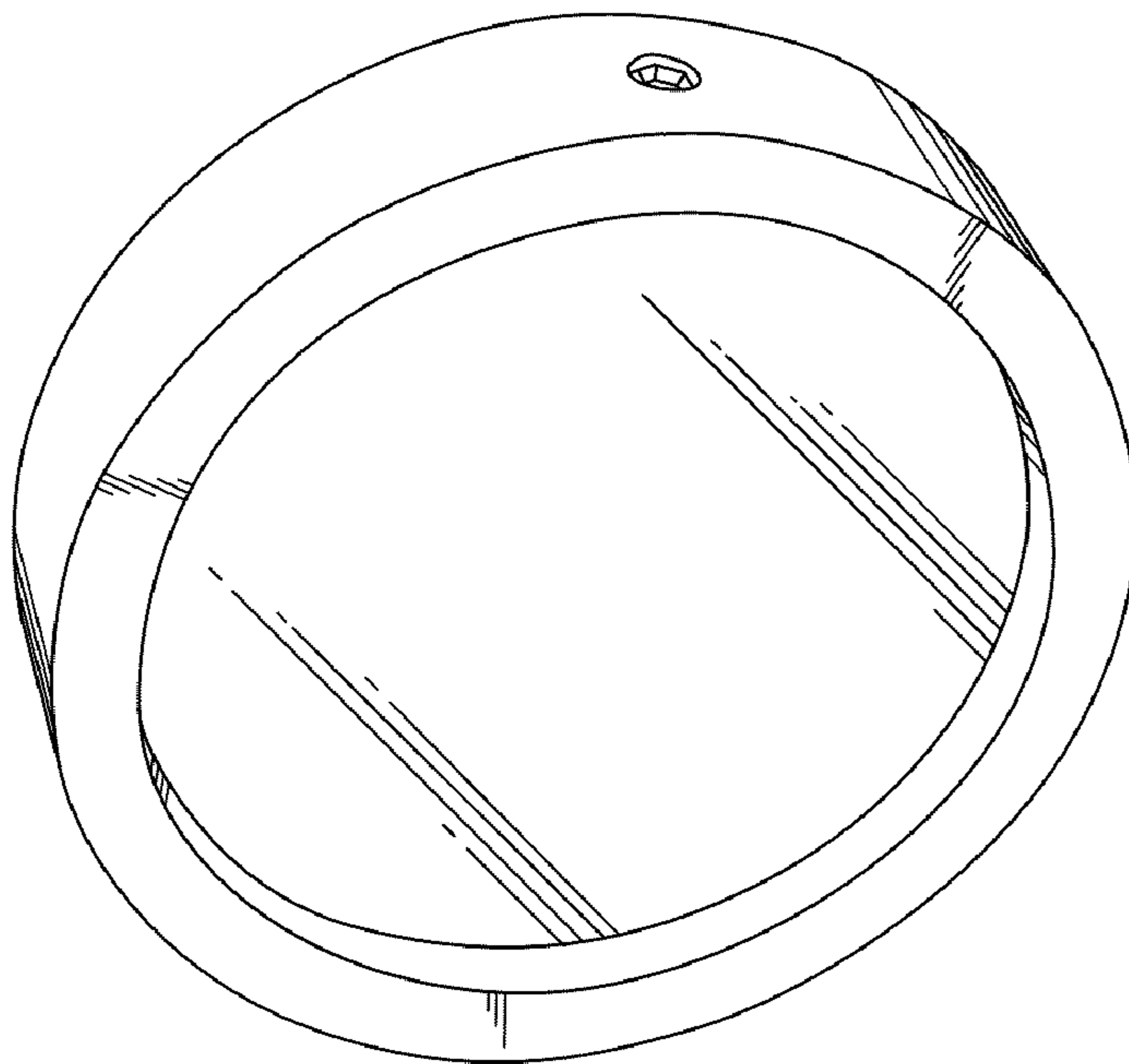
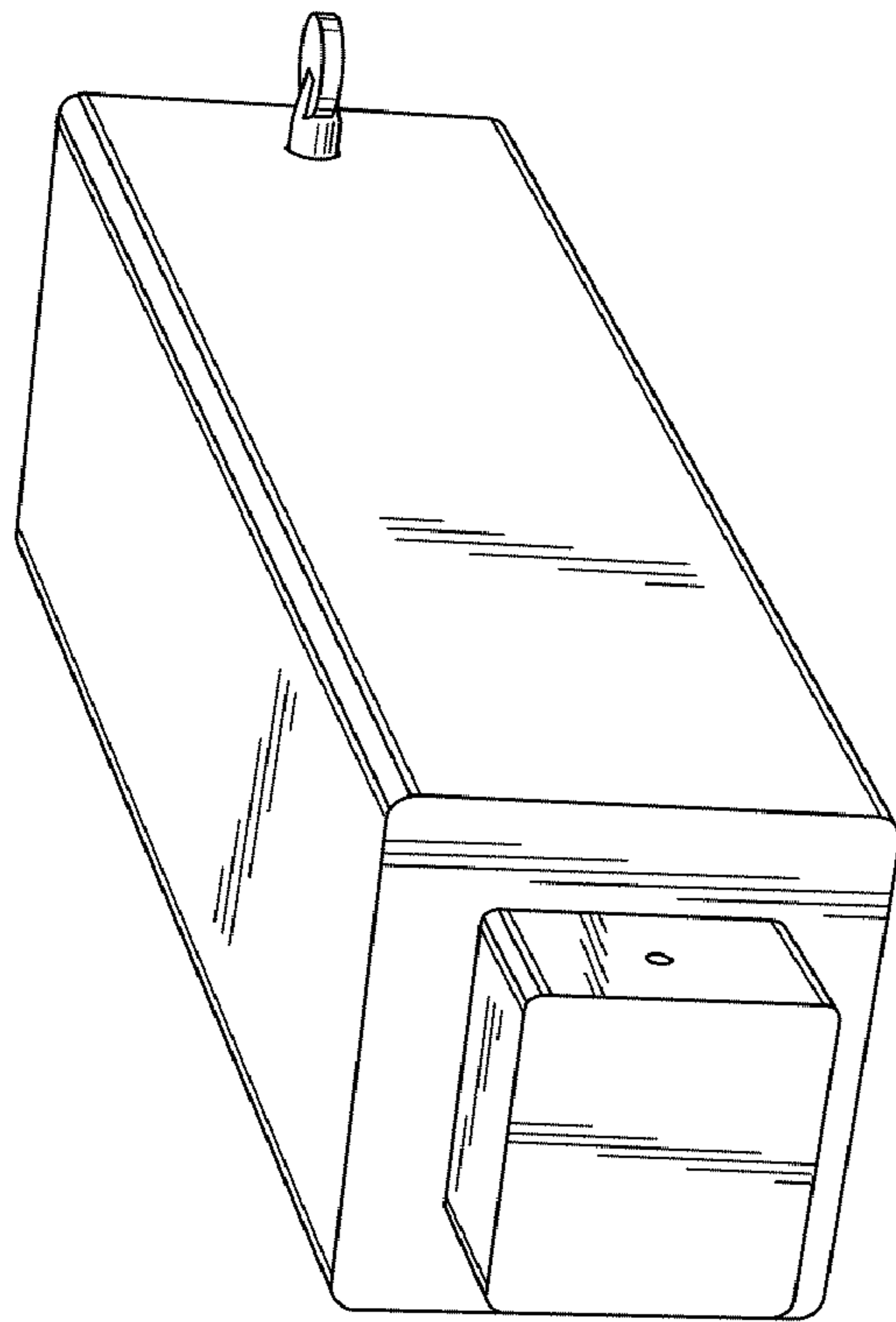


Fig. 4

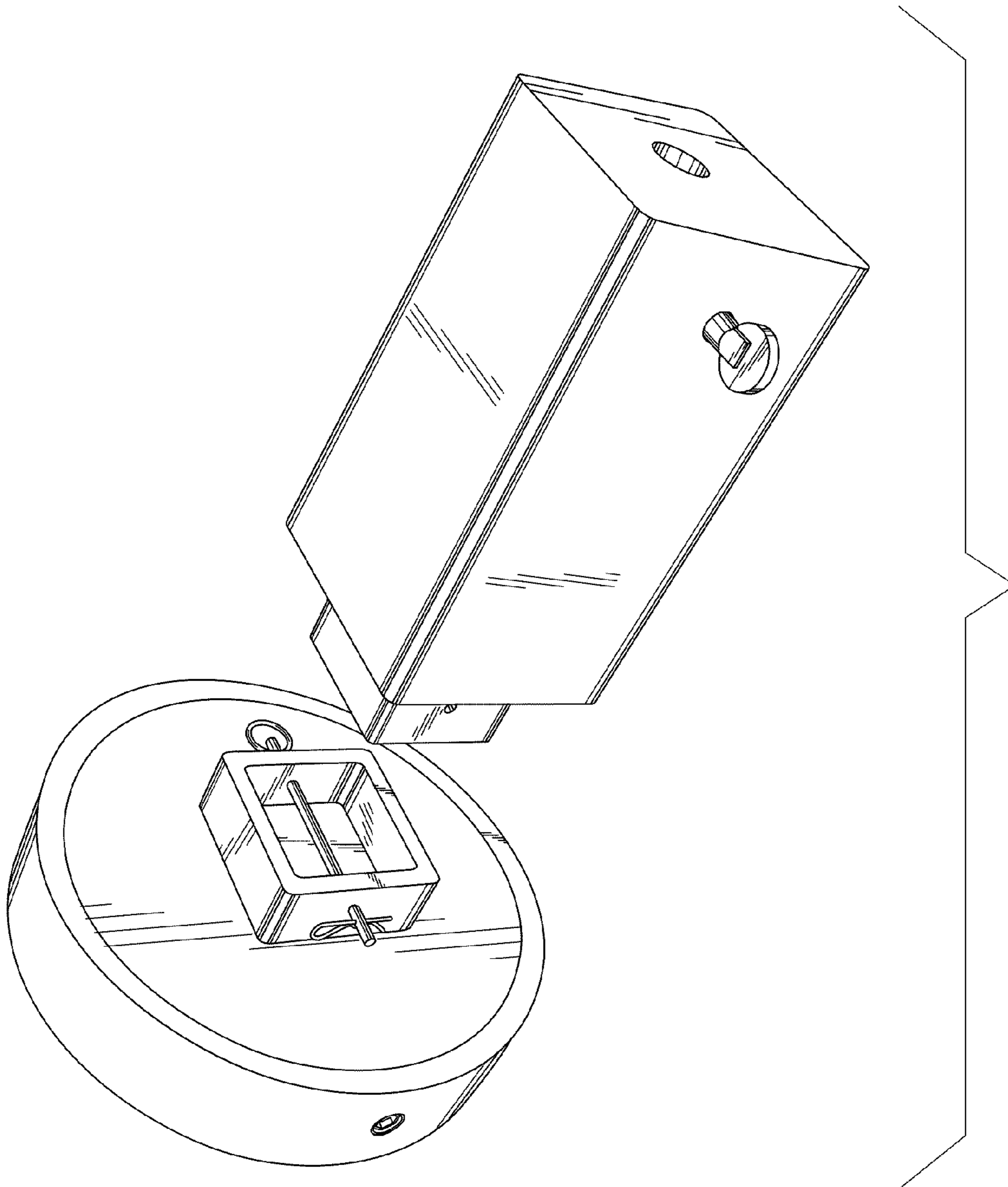


Fig. 5

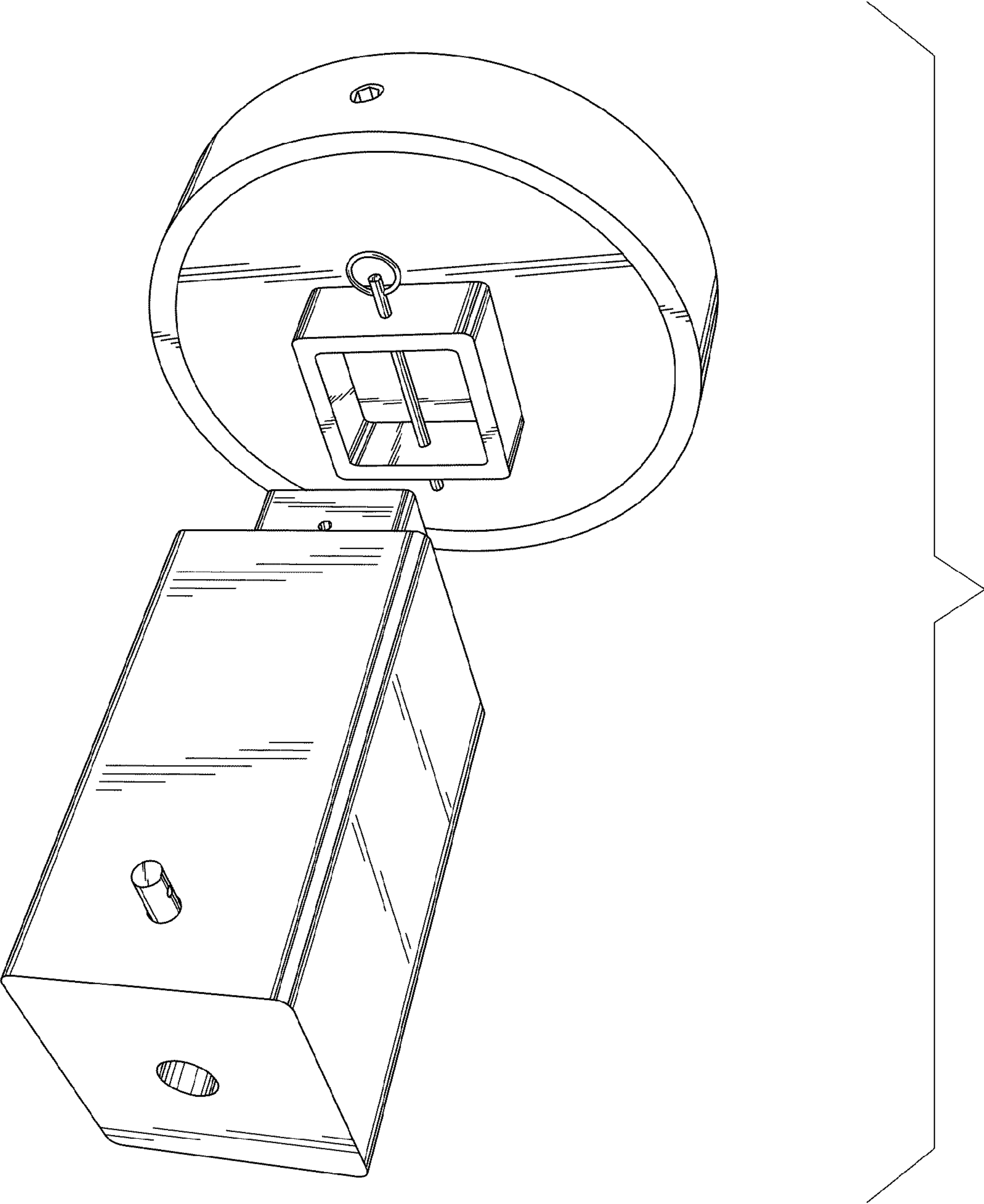


Fig. 6

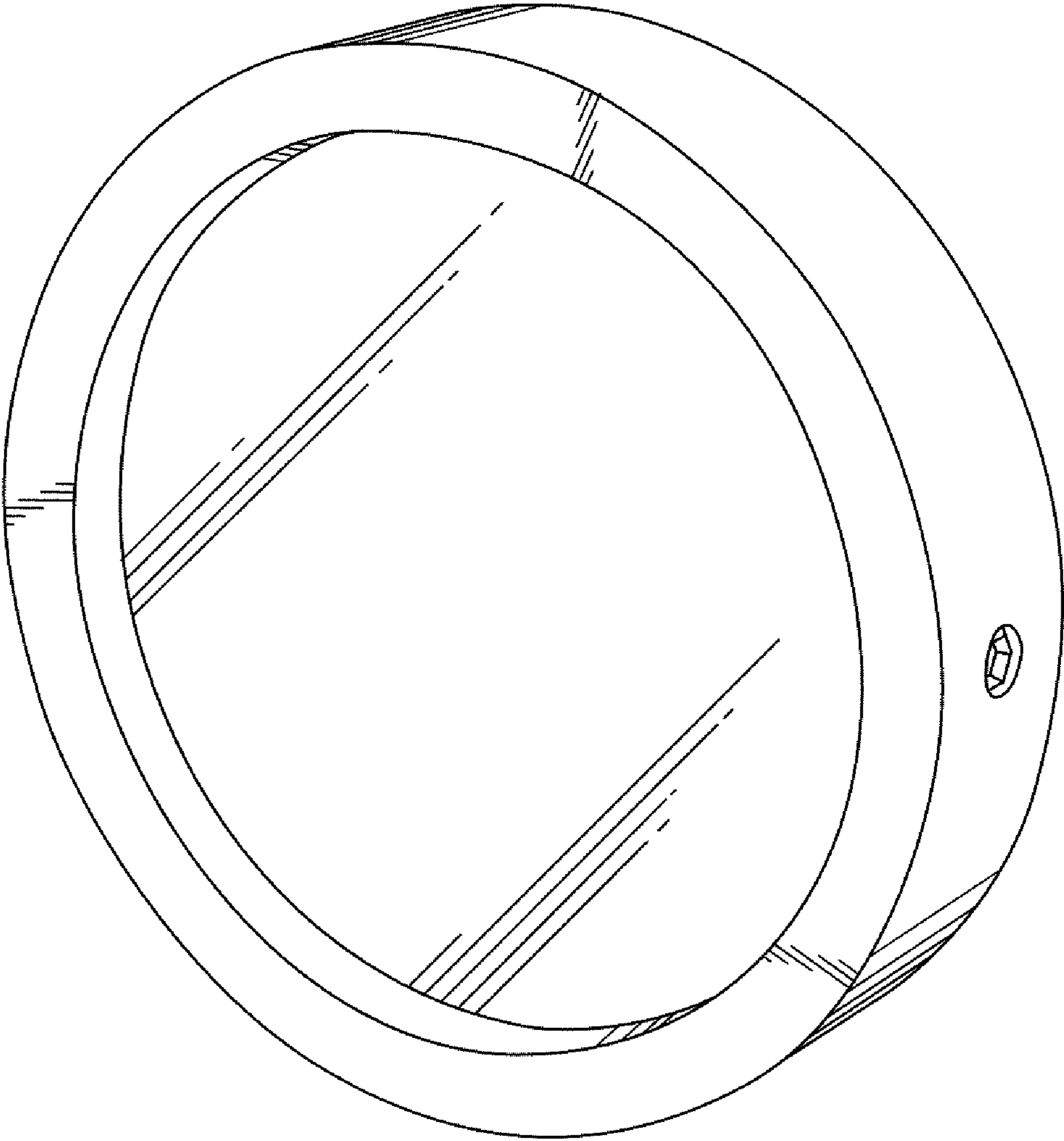


Fig. 7

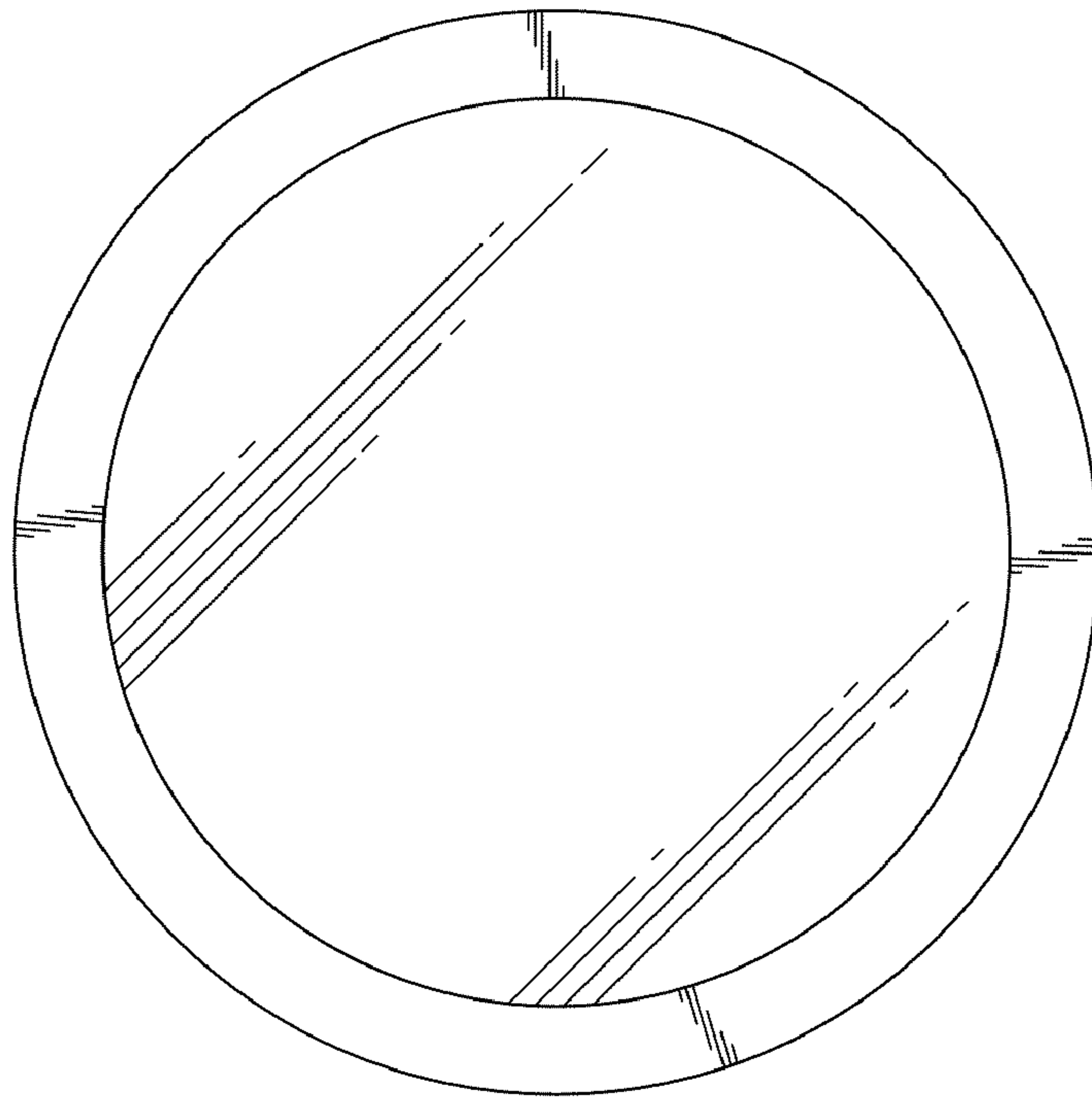


Fig. 8

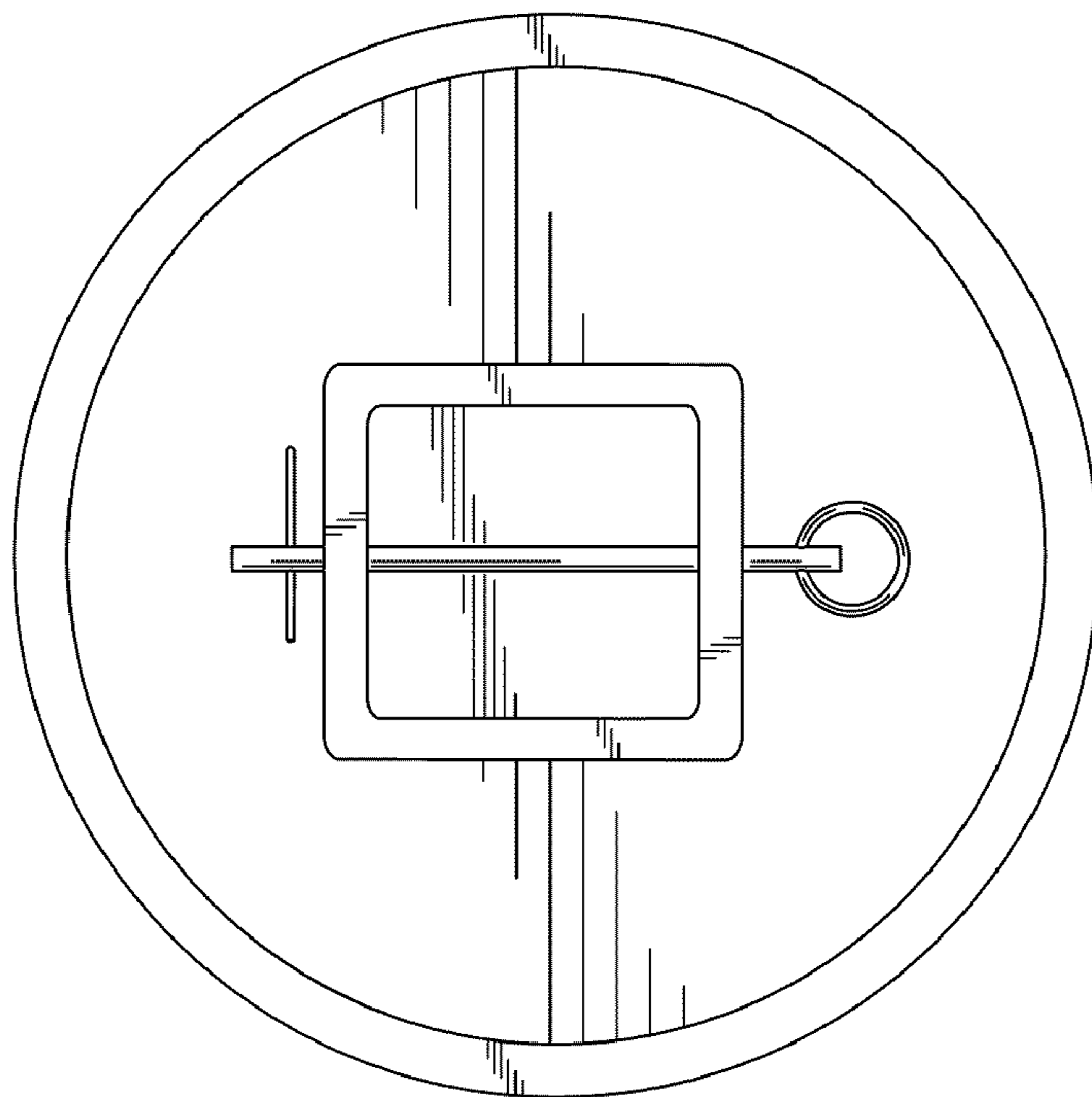


Fig. 9

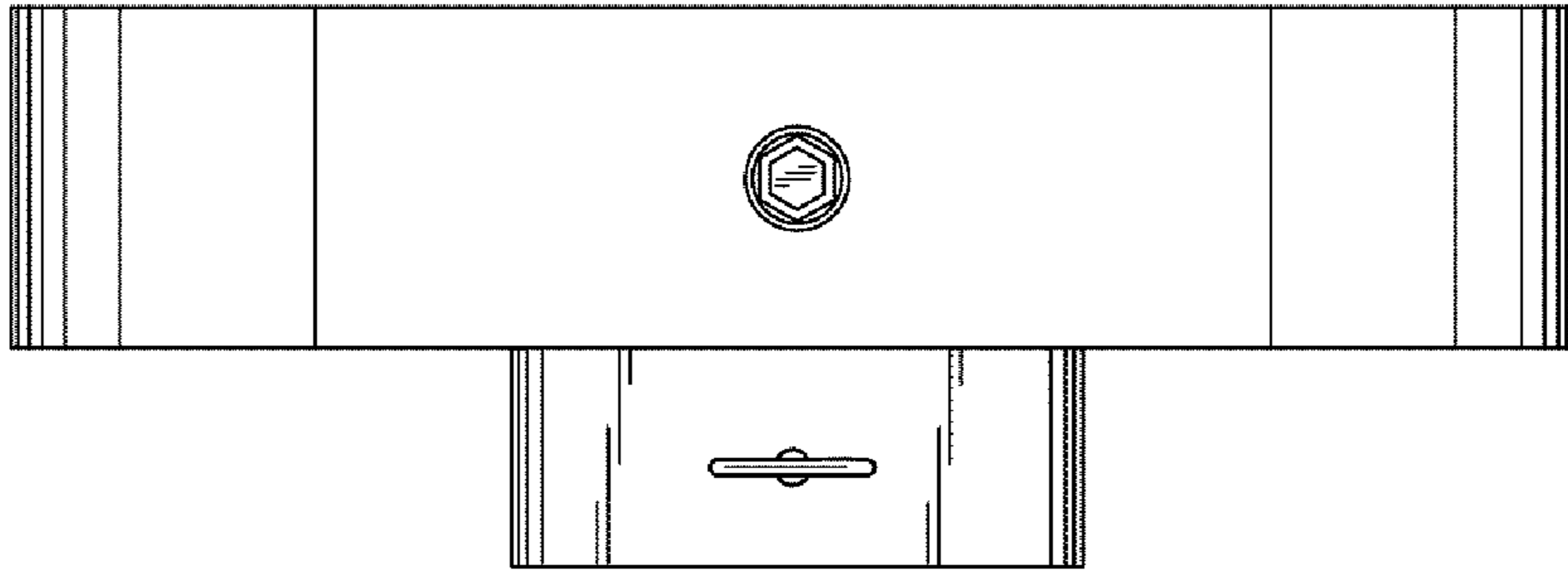


Fig. 11

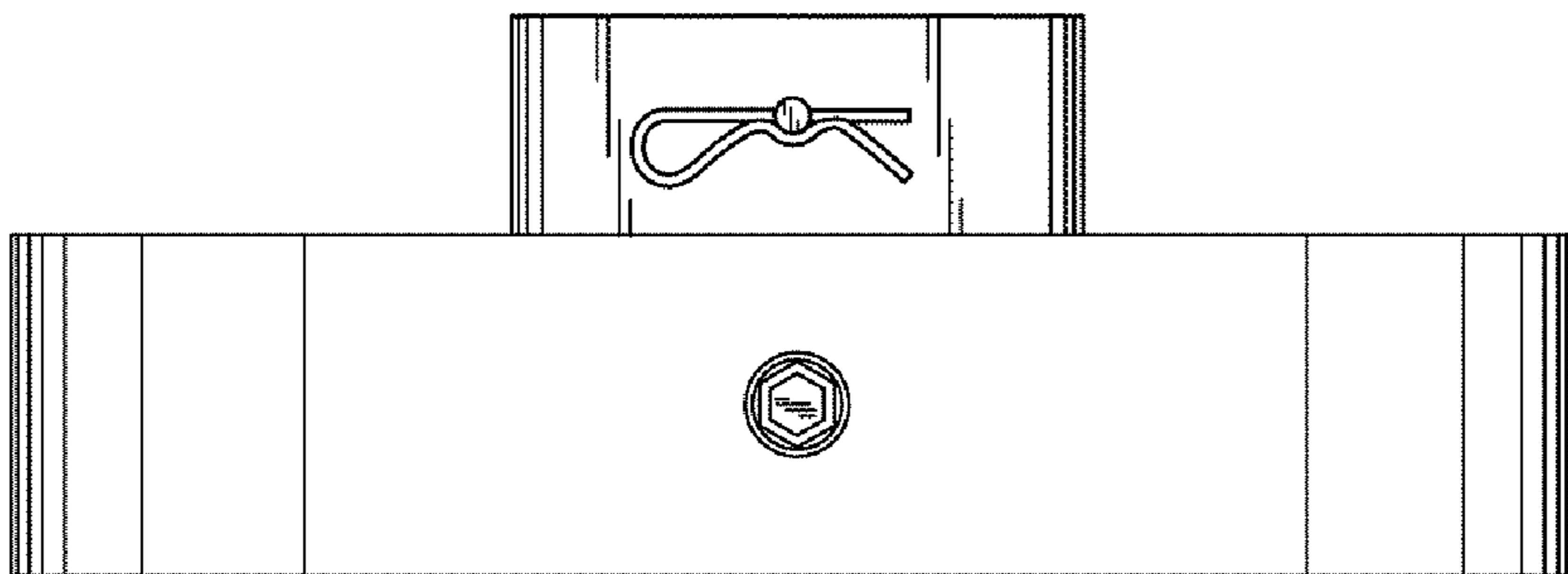


Fig. 10

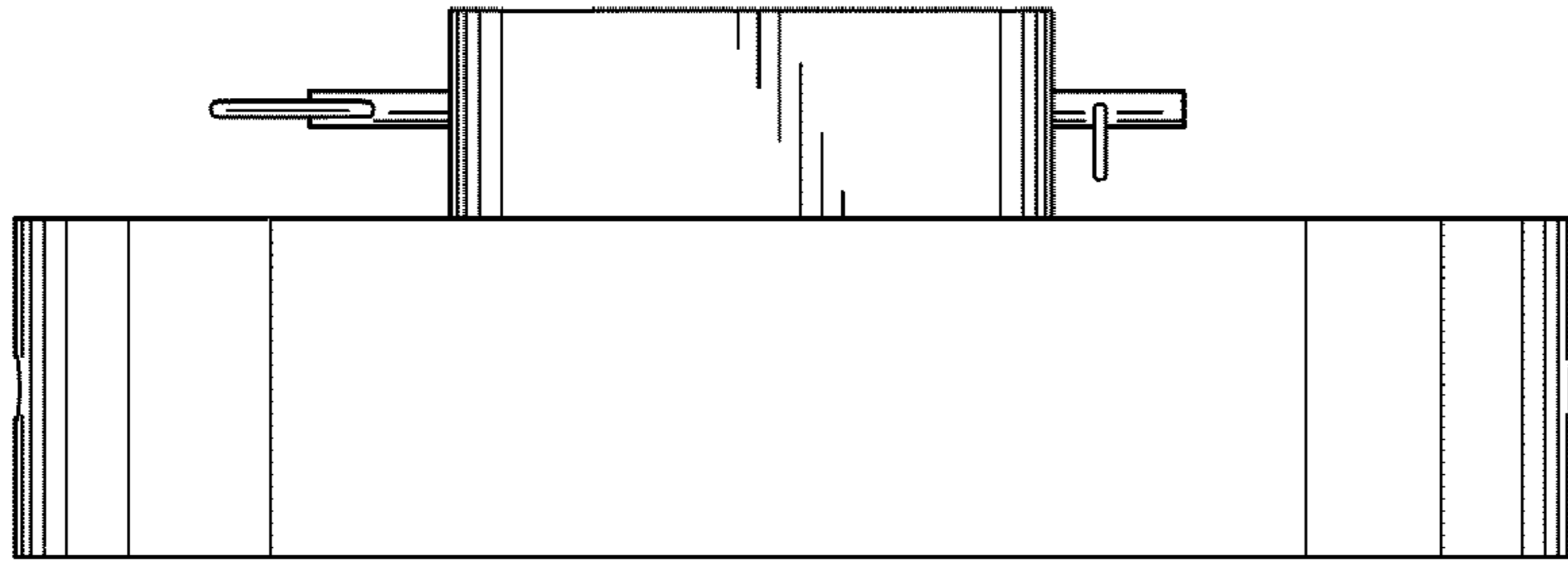


Fig. 12

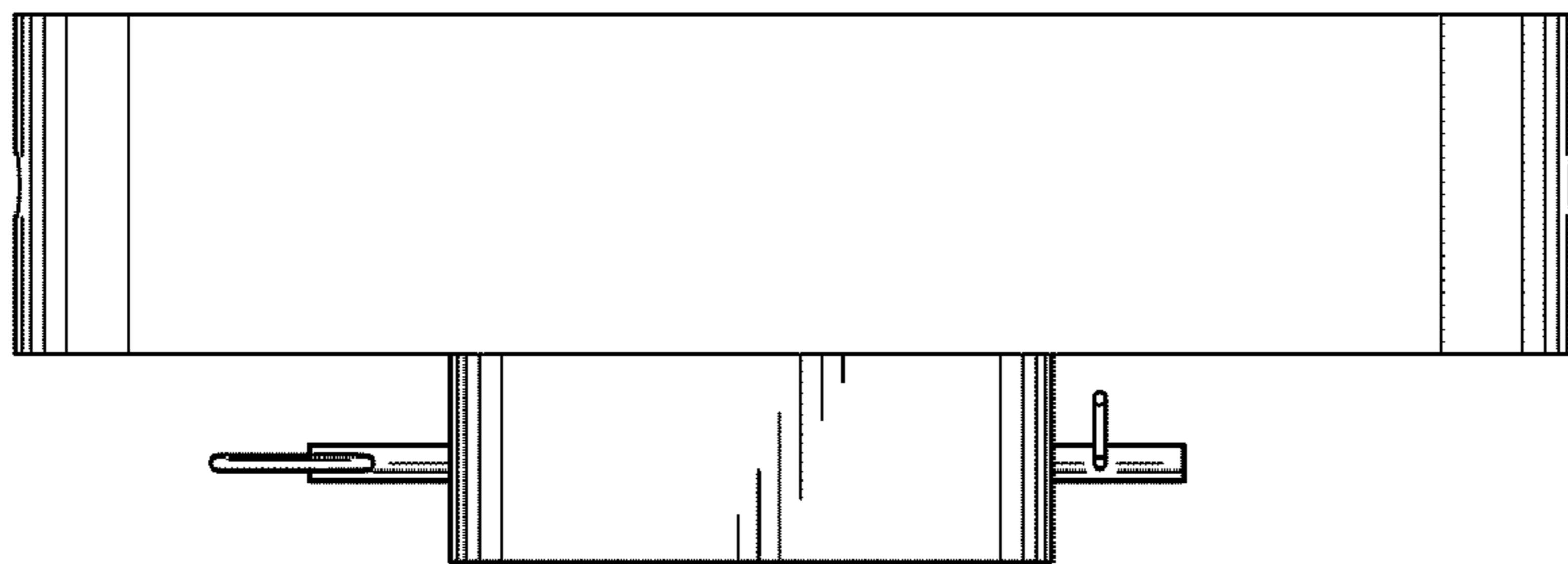


Fig. 13