



US00D644571S

(12) **United States Design Patent**
Bethlenfalvy

(10) **Patent No.:** **US D644,571 S**

(45) **Date of Patent:** **** Sep. 6, 2011**

(54) **VEHICLE FRAME WITH ACCESSORY HOLDER**

(74) *Attorney, Agent, or Firm* — Jennifer R. Racine; Godfrey & Kahn, S.C.

(75) Inventor: **Aaron M Bethlenfalvy**, Southbury, CT (US)

(57) **CLAIM**

We claim the ornamental design for a vehicle frame with accessory holder, substantially as shown and described.

(73) Assignee: **Pacific Cycle, LLC**, Madison, WI (US)

(**) Term: **14 Years**

DESCRIPTION

(21) Appl. No.: **29/358,242**

(22) Filed: **Mar. 24, 2010**

(51) **LOC (9) Cl.** **12-11**

(52) **U.S. Cl.** **D12/111**

(58) **Field of Classification Search** D12/111, D12/117, 114, 407, 411–414, 415, 419, 420, D12/425; 280/274–278, 283–288, 281.1, 280/288.1–288.4; 224/400, 419–421, 425, 224/426, 414

See application file for complete search history.

FIG. 1 is a perspective view of a vehicle frame with accessory holder showing the new design;

FIG. 2 is a left side view of the vehicle frame with accessory holder of FIG. 1;

FIG. 3 is a right side view of the vehicle frame with accessory holder of FIG. 1;

FIG. 4 is a bottom view of the vehicle frame with accessory holder of FIG. 1;

FIG. 5 is a top view of the vehicle frame with accessory holder of FIG. 1;

FIG. 6 is a front view of the vehicle frame with accessory holder of FIG. 1;

FIG. 7 is a rear view of the vehicle frame with accessory holder of FIG. 1;

FIG. 8 is an enlarged partial perspective view of the vehicle frame with accessory holder showing the accessory holder;

FIG. 9 is an enlarged partial right side view of the vehicle frame with accessory holder showing the accessory holder; and,

FIG. 10 is an enlarged partial top view of the vehicle frame with accessory holder showing the accessory holder.

Dotted lines show the environment of the claimed design and form no part thereof.

The broken lines adjacent the shaded areas on the steering tube and on the seat tube represent boundaries of the claimed design and form no part thereof.

(56) **References Cited**

U.S. PATENT DOCUMENTS

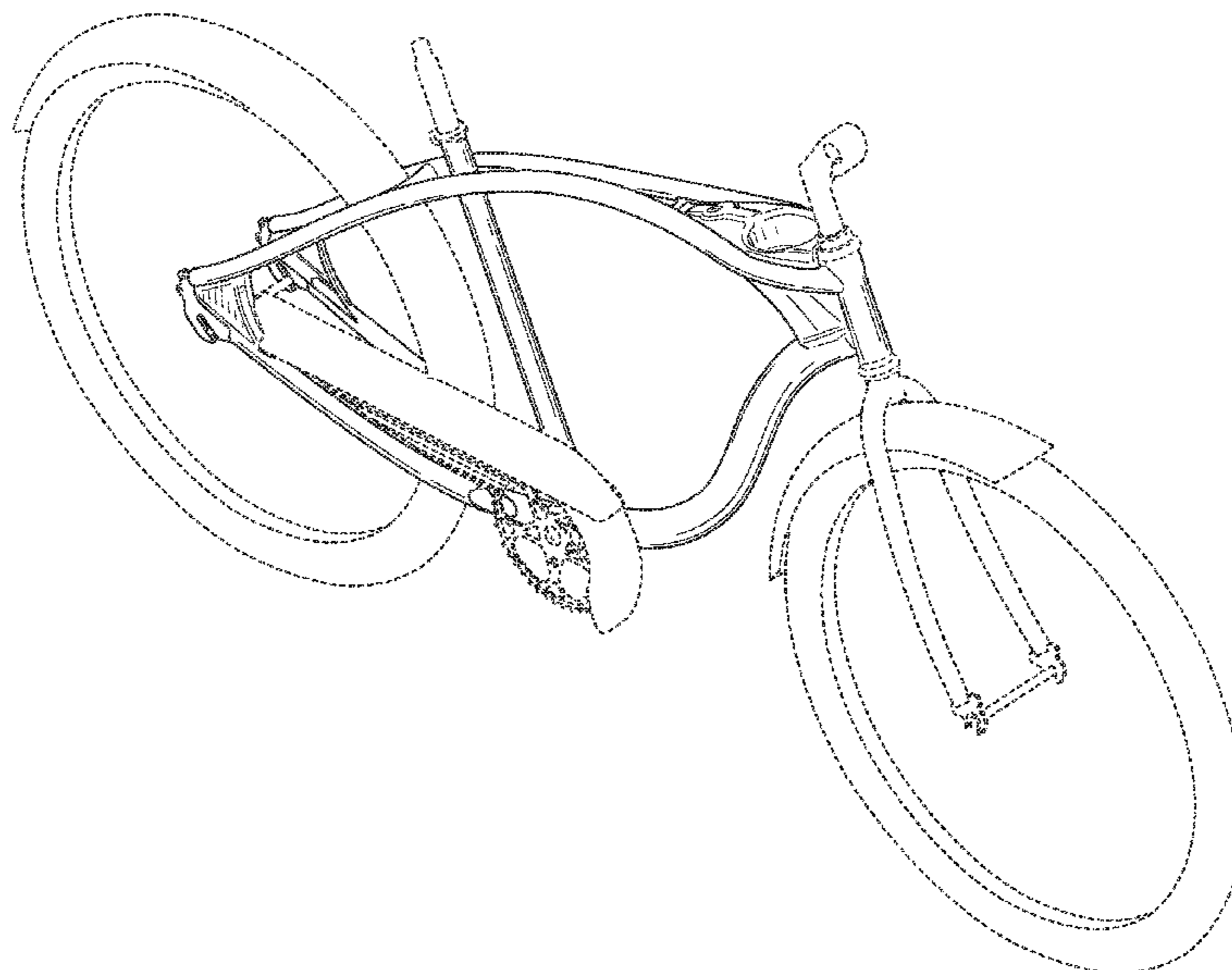
D146,436	S *	3/1947	Taylor	D12/111
5,522,527	A *	6/1996	Tsai	224/414
D391,222	S *	2/1998	Lenox	D12/411
5,862,965	A *	1/1999	Nakahara	224/426
6,431,422	B1 *	8/2002	Moore et al.	224/427
6,527,240	B1 *	3/2003	Huang	248/311.2
6,634,664	B1 *	10/2003	Kojima	280/288.4
D522,412	S *	6/2006	Bethlenfalvy	D12/111
7,273,221	B2 *	9/2007	Ockenden	280/288.4
7,448,297	B2 *	11/2008	Tiong	74/551.8
2010/0170925	A1 *	7/2010	Osten et al.	224/414

* cited by examiner

Primary Examiner — Susan M Lee

Assistant Examiner — Linda G. Brooks

1 Claim, 8 Drawing Sheets



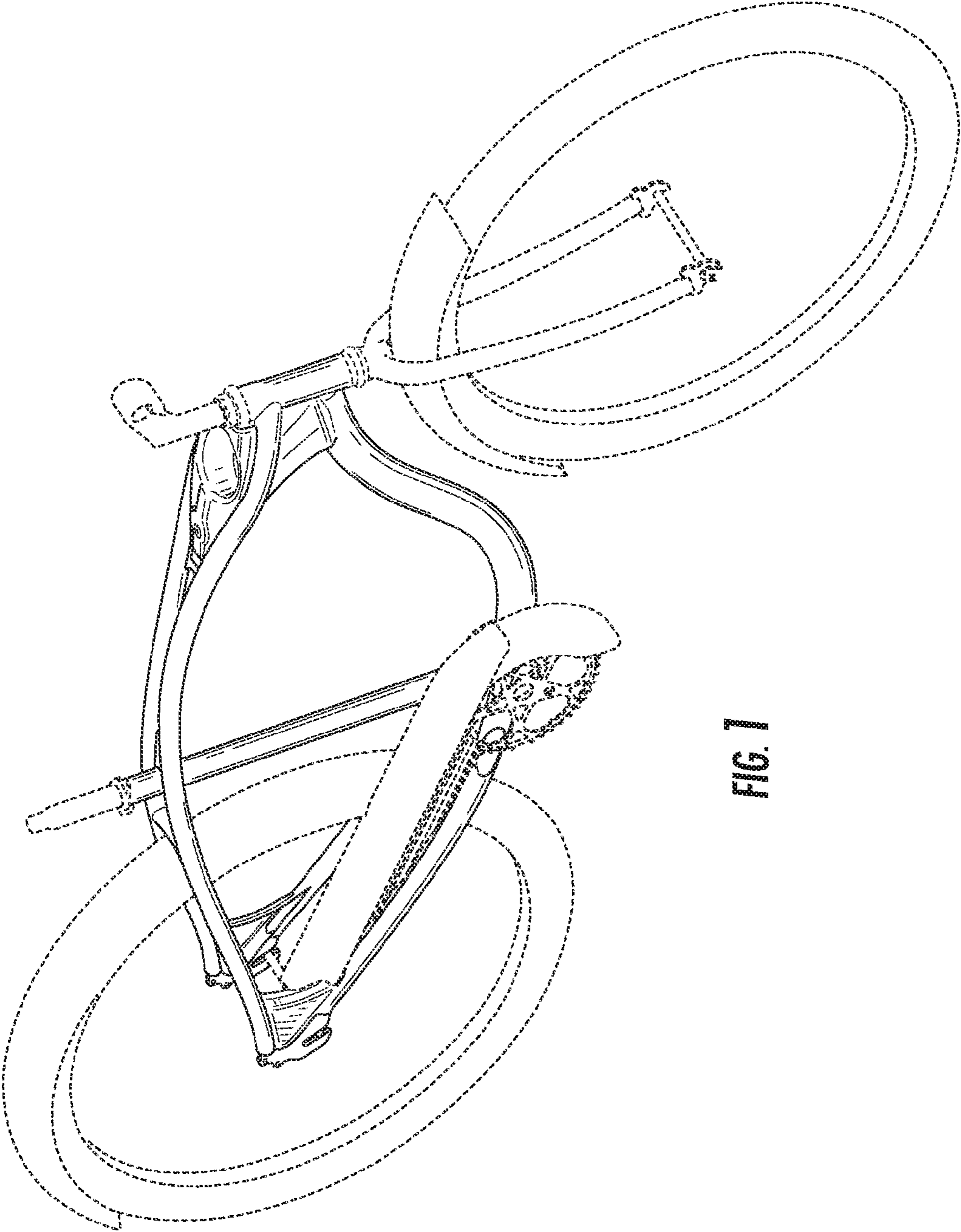


FIG. 1

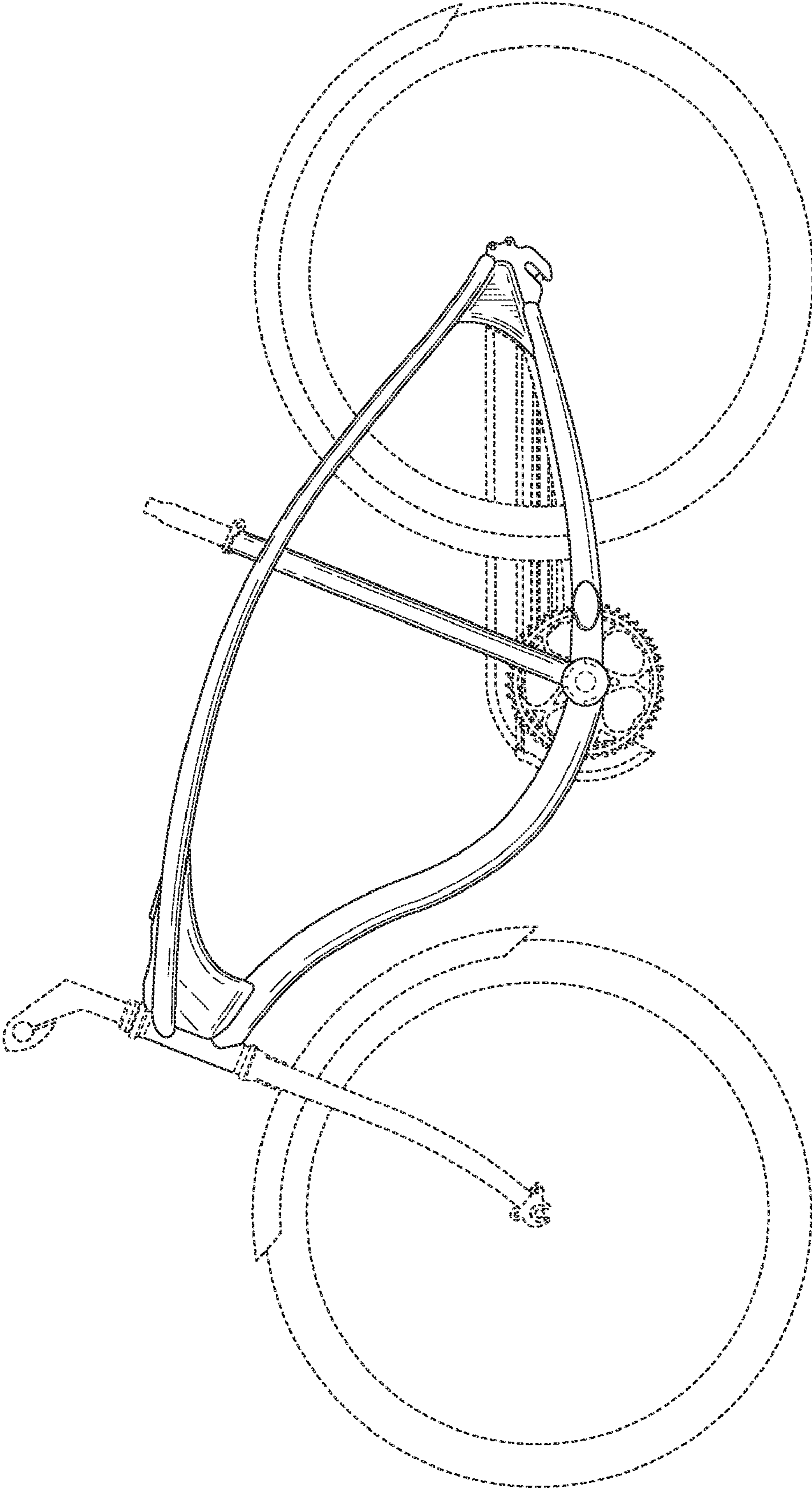


FIG. 2

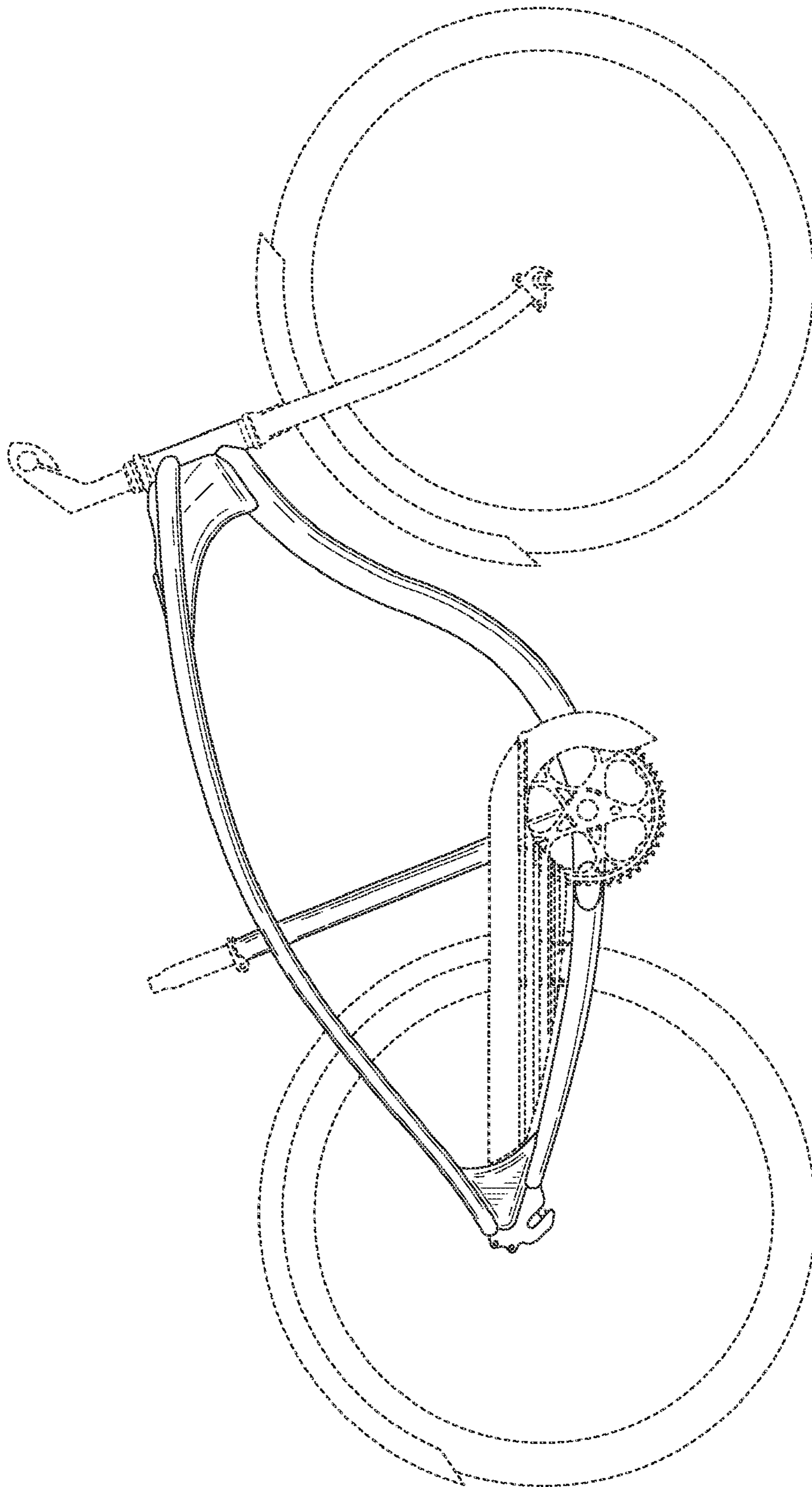


FIG. 3

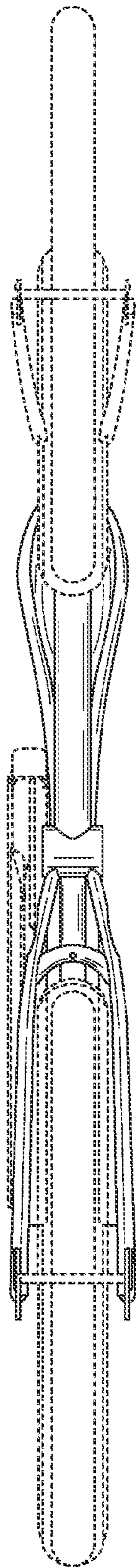


FIG. 4

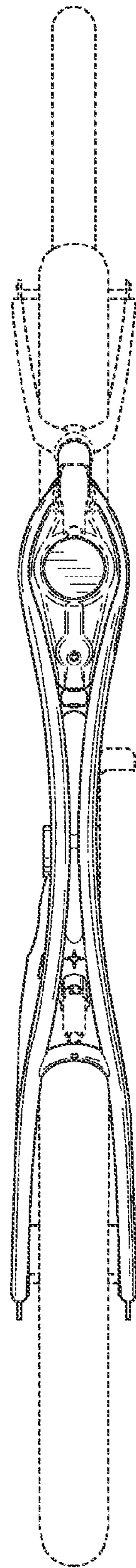


FIG. 5

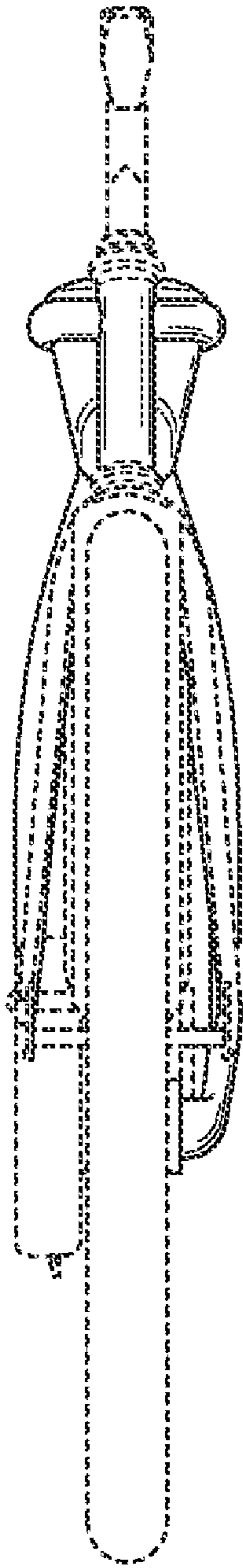


FIG. 6

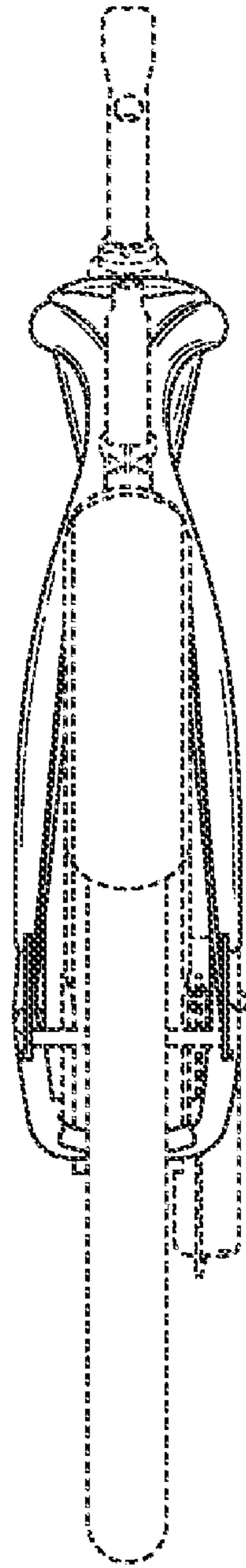


FIG. 7

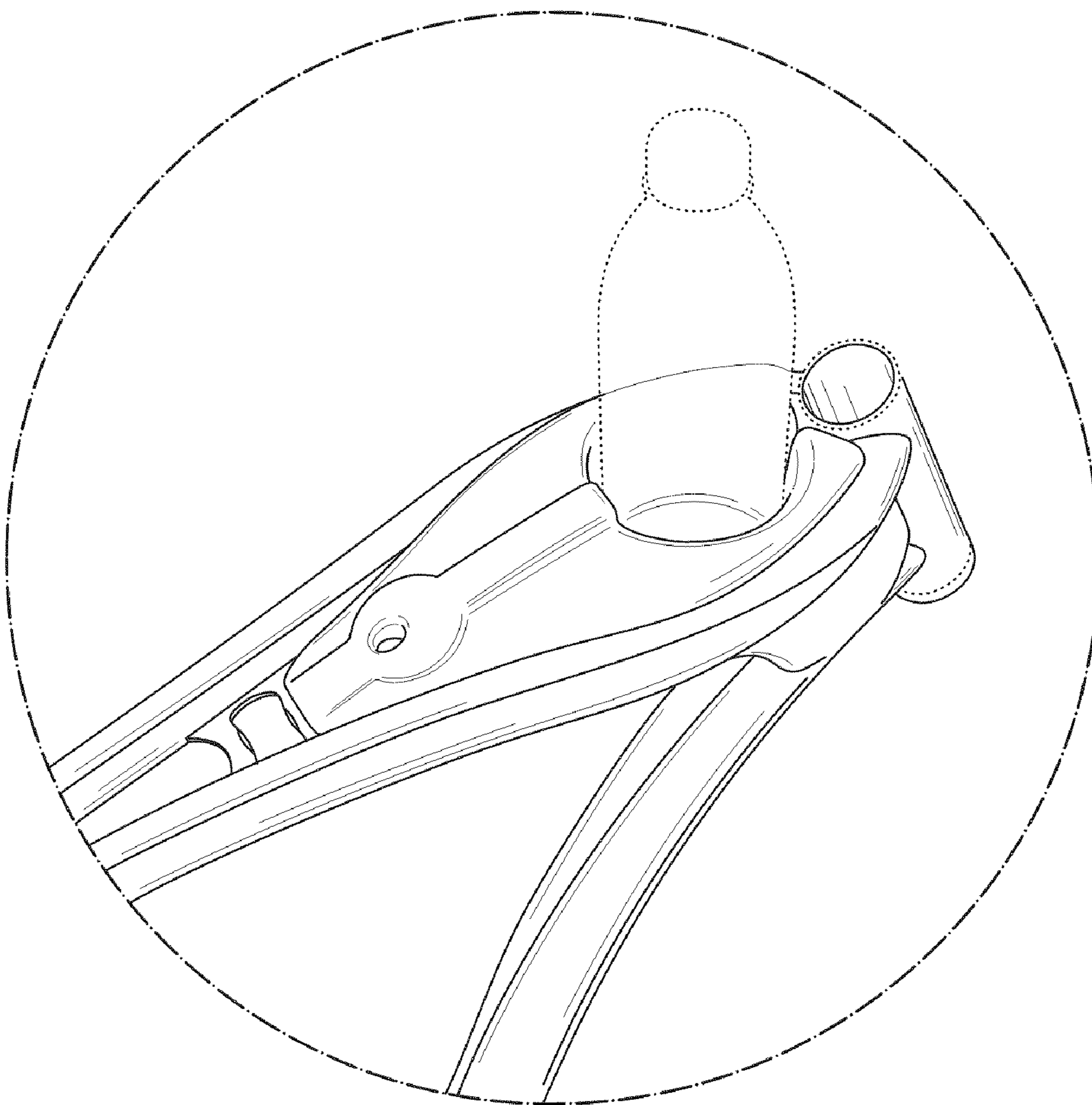


FIG. 8

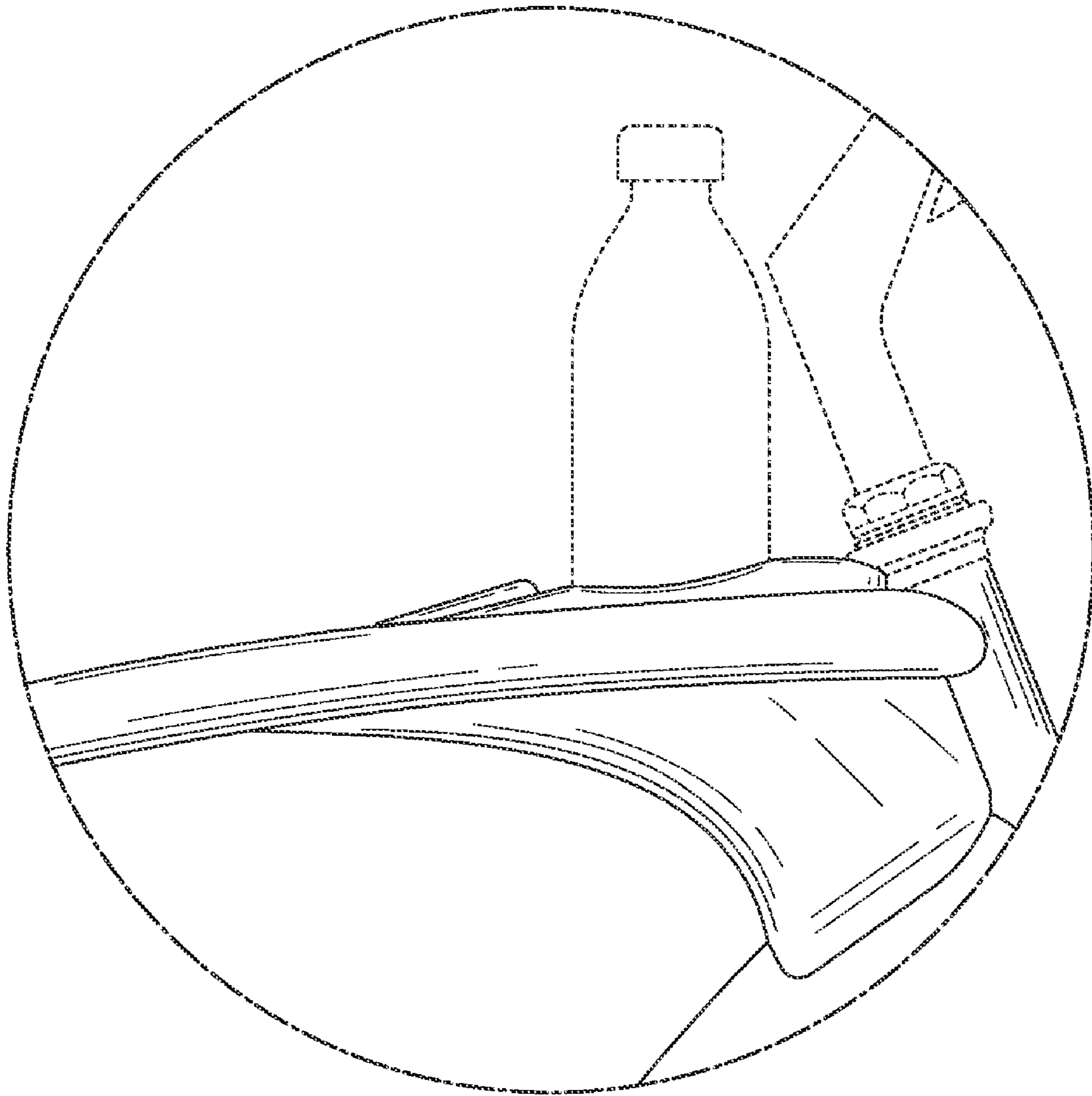


FIG. 9

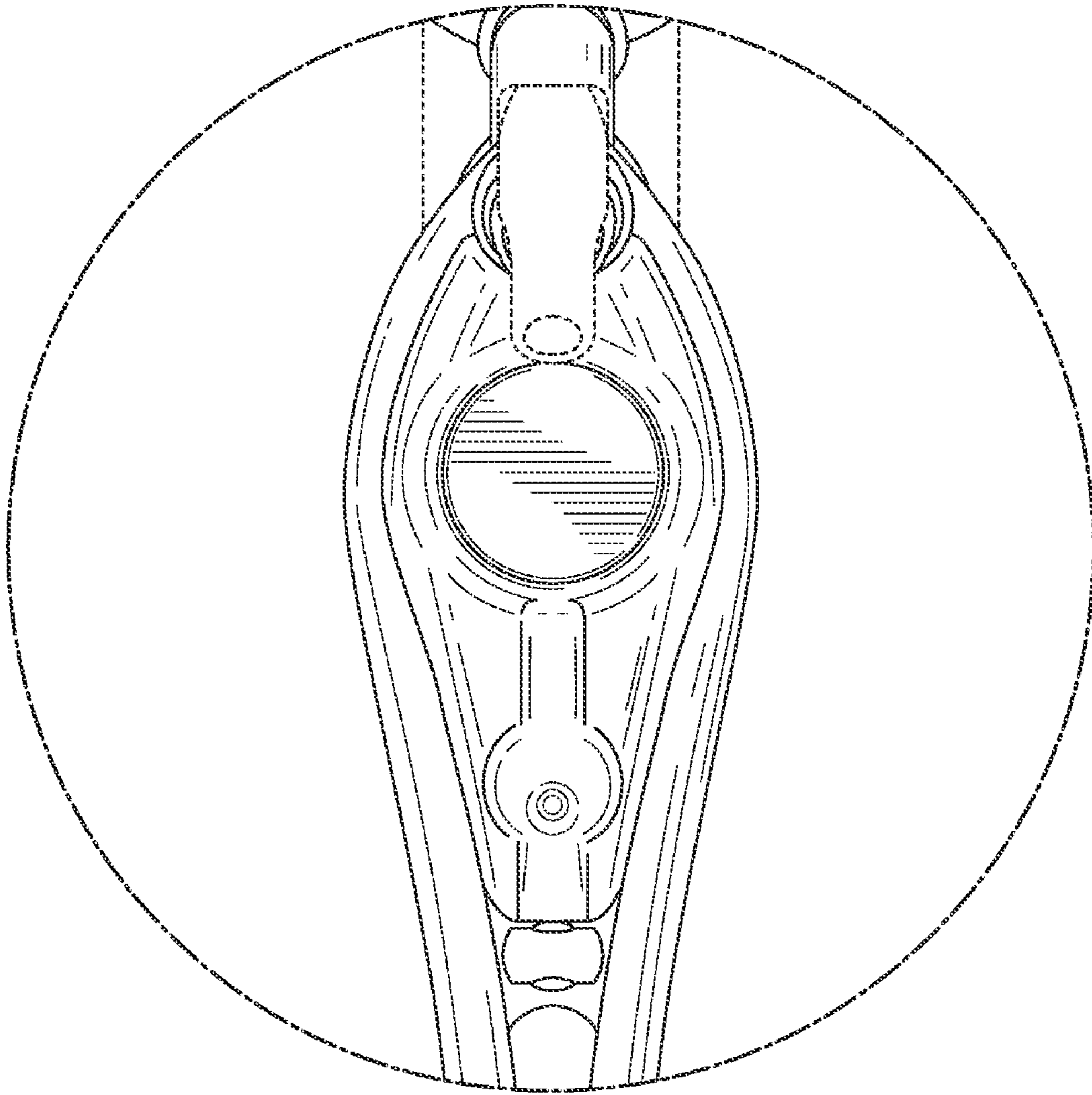


FIG. 10