



US00D644565S

(12) **United States Design Patent**  
**Lester**

(10) **Patent No.:** **US D644,565 S**

(45) **Date of Patent:** **\*\* Sep. 6, 2011**

(54) **RACE CAR**

(76) Inventor: **R. Stan Lester**, Carnesville, GA (US)

(\*\*) Term: **14 Years**

(21) Appl. No.: **29/375,836**

(22) Filed: **Sep. 28, 2010**

**Related U.S. Application Data**

(62) Division of application No. 29/354,168, filed on Jan. 20, 2010, now Pat. No. Des. 627,261.

(51) **LOC (9) Cl.** ..... **12-08**

(52) **U.S. Cl.** ..... **D12/88**

(58) **Field of Classification Search** ..... D12/86,  
D12/90-92, 88; D21/424, 433, 434, 550;  
296/181.1, 181.5

See application file for complete search history.

(56) **References Cited**

**U.S. PATENT DOCUMENTS**

|              |        |               |       |         |
|--------------|--------|---------------|-------|---------|
| D268,940 S * | 5/1983 | Head          | ..... | D21/550 |
| D526,598 S * | 8/2006 | Singer et al. | ..... | D12/88  |
| D575,195 S * | 8/2008 | Steinhauser   | ..... | D12/88  |
| D577,314 S * | 9/2008 | Dockery       | ..... | D12/88  |
| D597,442 S * | 8/2009 | Steinhauser   | ..... | D12/88  |

\* cited by examiner

*Primary Examiner* — Melody N Brown

(74) *Attorney, Agent, or Firm* — Thomas, Kayden, Horstemeyer & Risley, LLP; Todd Deveau

(57) **CLAIM**

The ornamental design for a race car, as shown and described.

**DESCRIPTION**

FIG. 1 is a top, front and right side perspective view of a race car showing my new design;

FIG. 2 is a top plan view of the car of FIG. 1;

FIG. 3 is a right side elevation of the car of FIG. 1;

FIG. 4 is a left side elevation of the car of FIG. 1;

FIG. 5 is a front elevation of the car of FIG. 1;

FIG. 6 is a rear elevation of the car of FIG. 1;

FIG. 7 is a top, front and right side perspective view showing a second embodiment of my new design;

FIG. 8 is a top plan view of the car of FIG. 7;

FIG. 9 is a right side elevation of the car of FIG. 7;

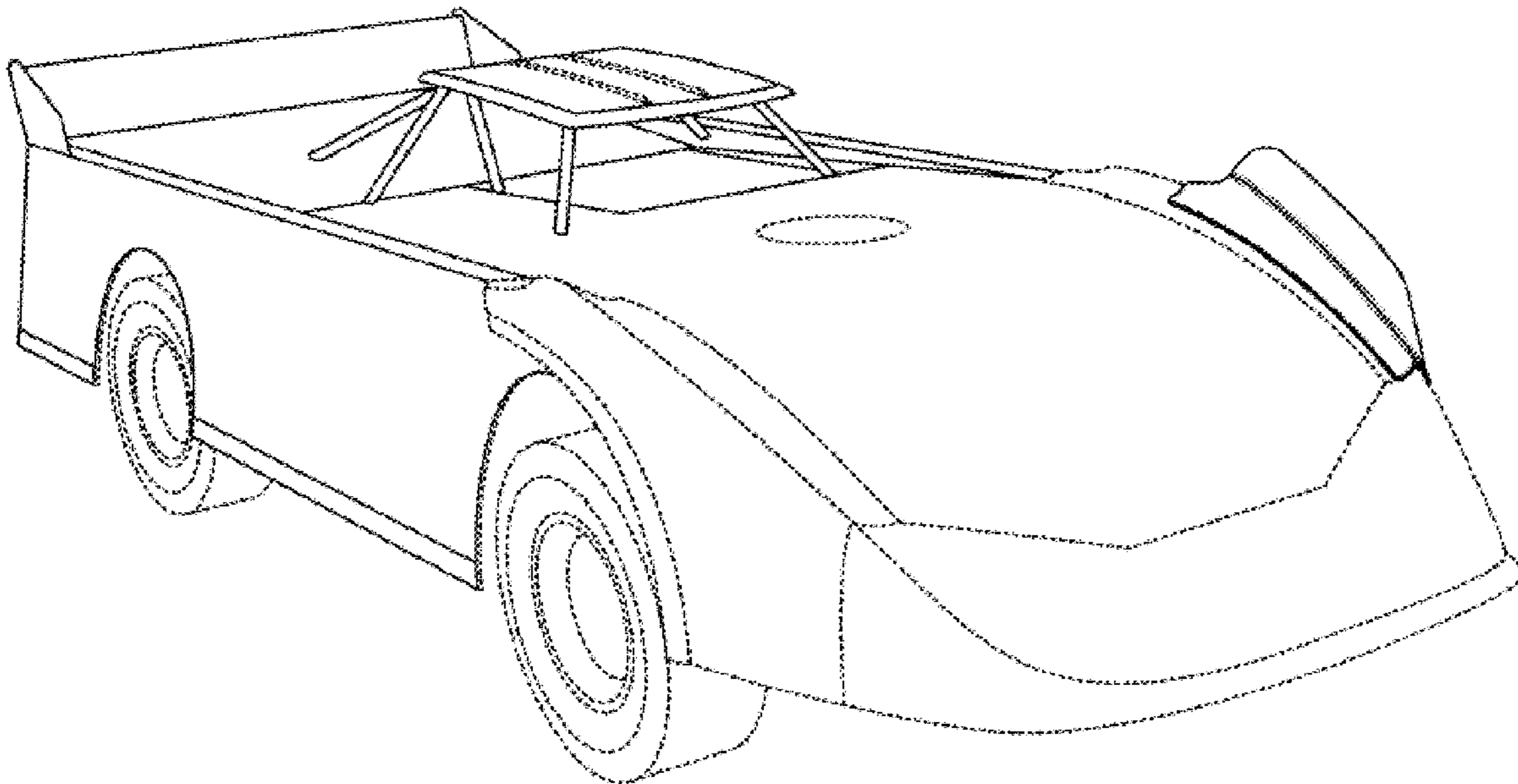
FIG. 10 is a left side elevation of the car of FIG. 7;

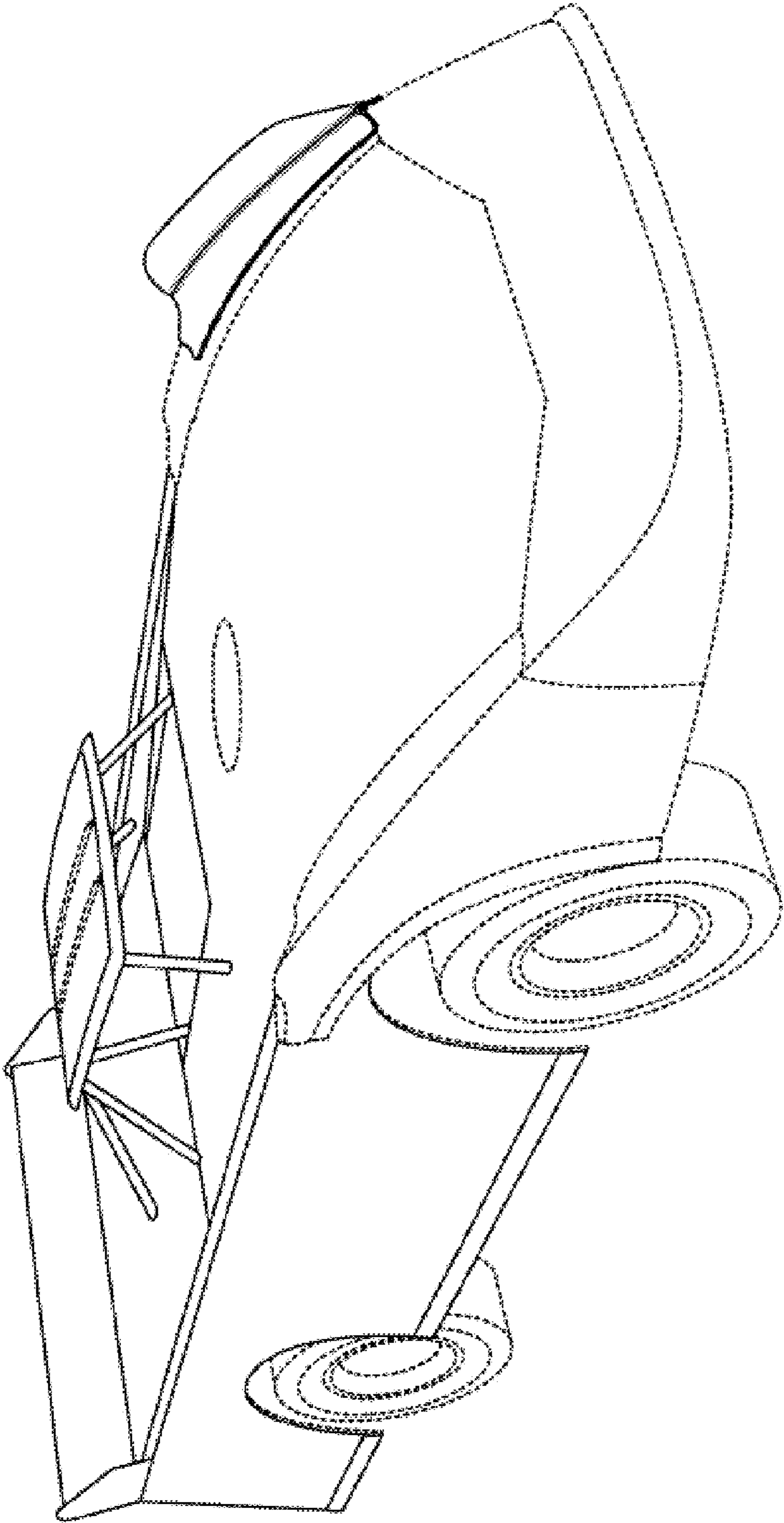
FIG. 11 is a front elevation of the car of FIG. 7; and,

FIG. 12 is a rear elevation of the car of FIG. 7.

The broken lines throughout the figures represent visible environmental structure and form no part of the claimed design.

**1 Claim, 6 Drawing Sheets**





**FIG. 1**

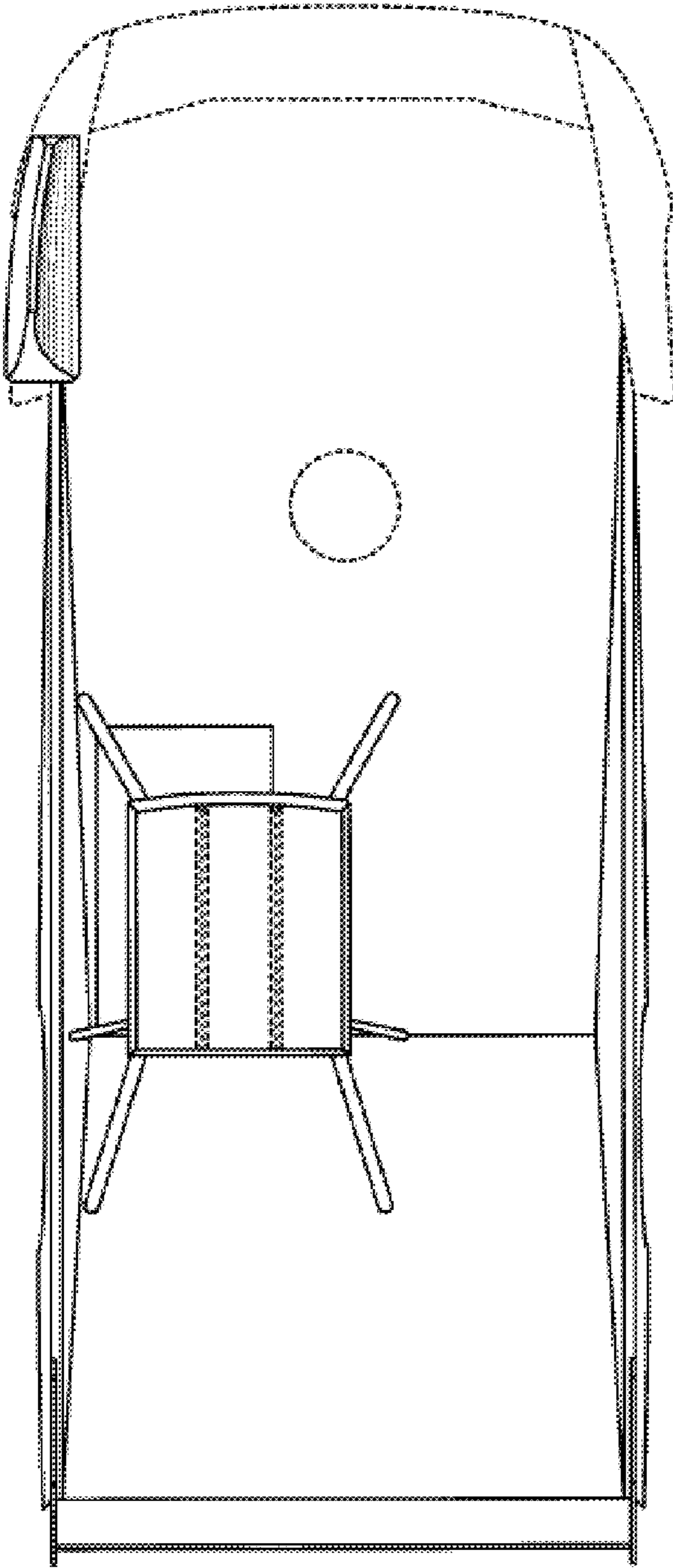


FIG. 2

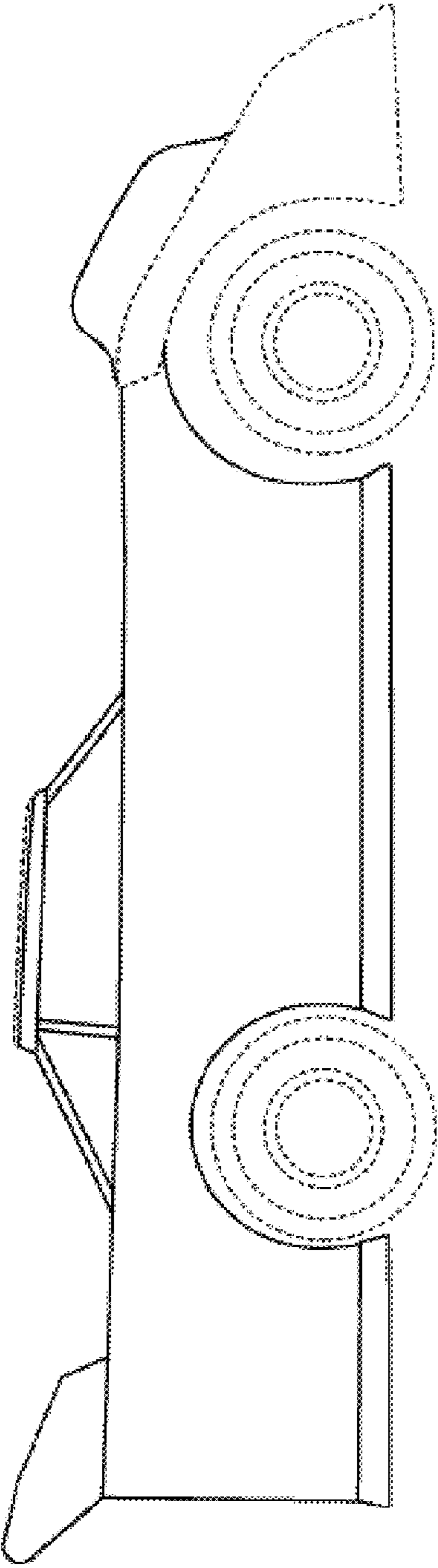
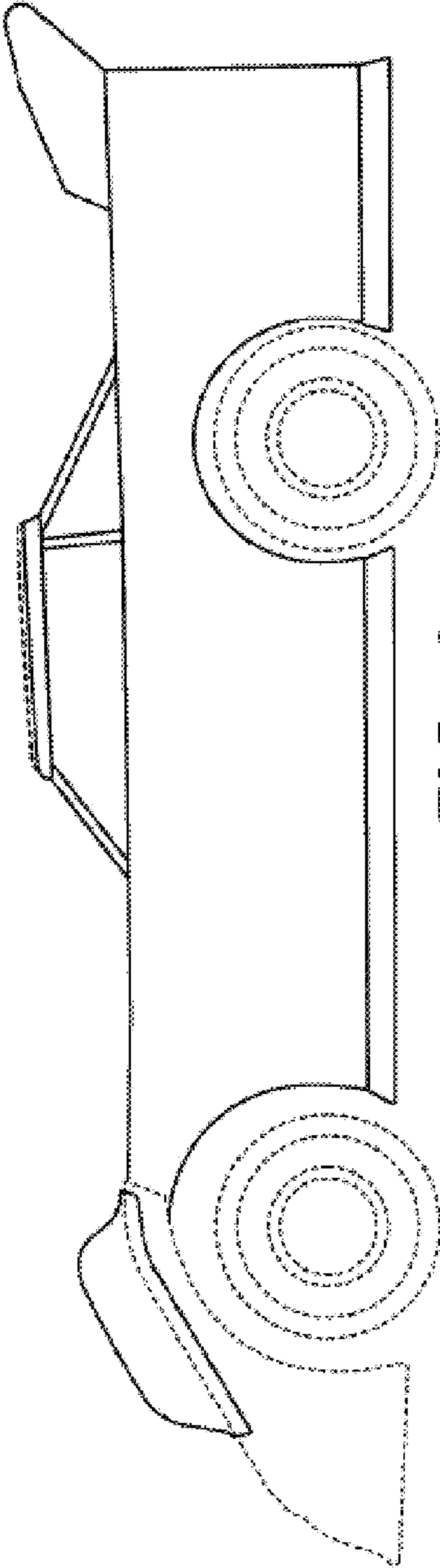
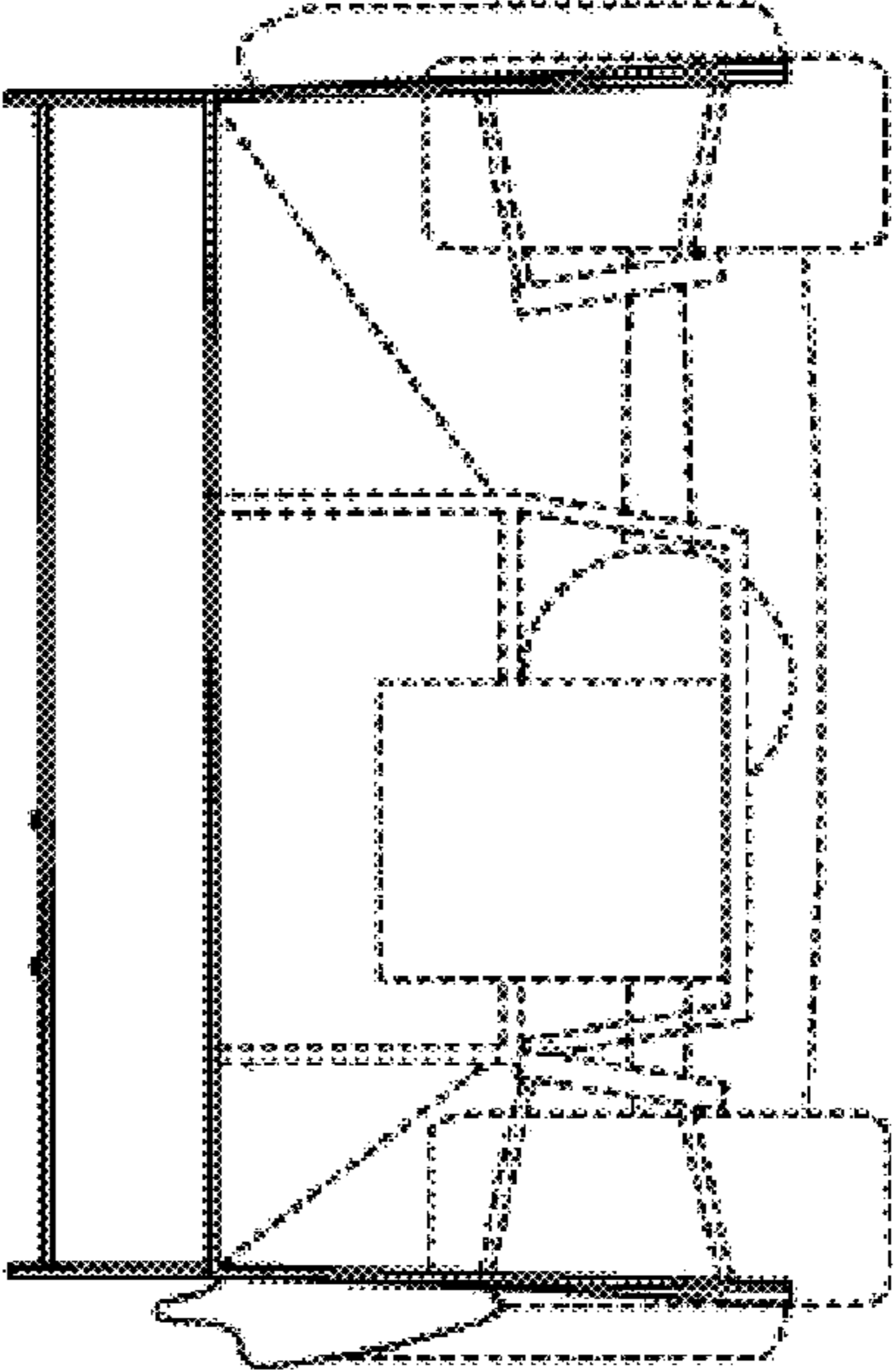


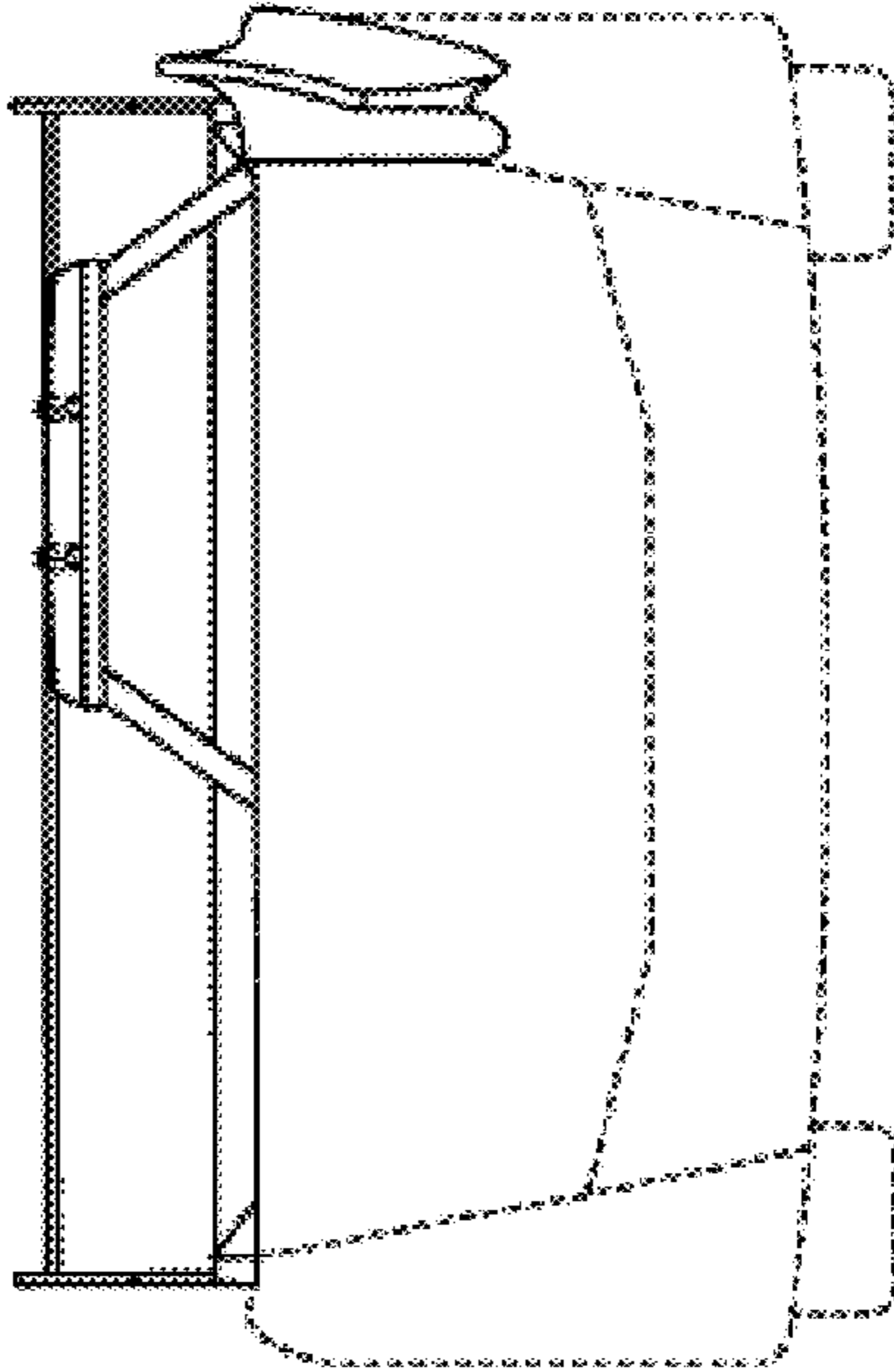
FIG. 3



**FIG. 4**



**FIG. 5**



**FIG. 6**

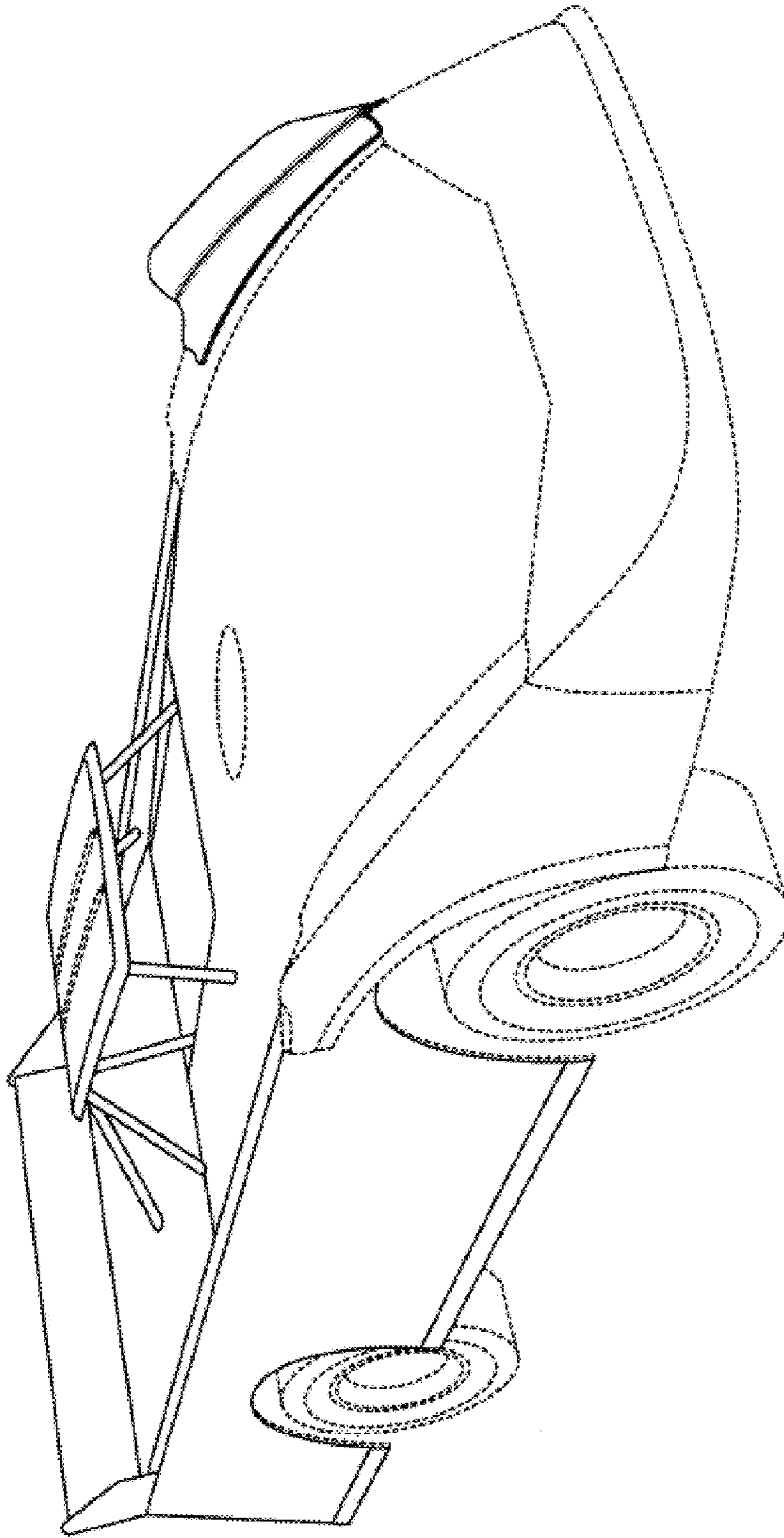


FIG. 7

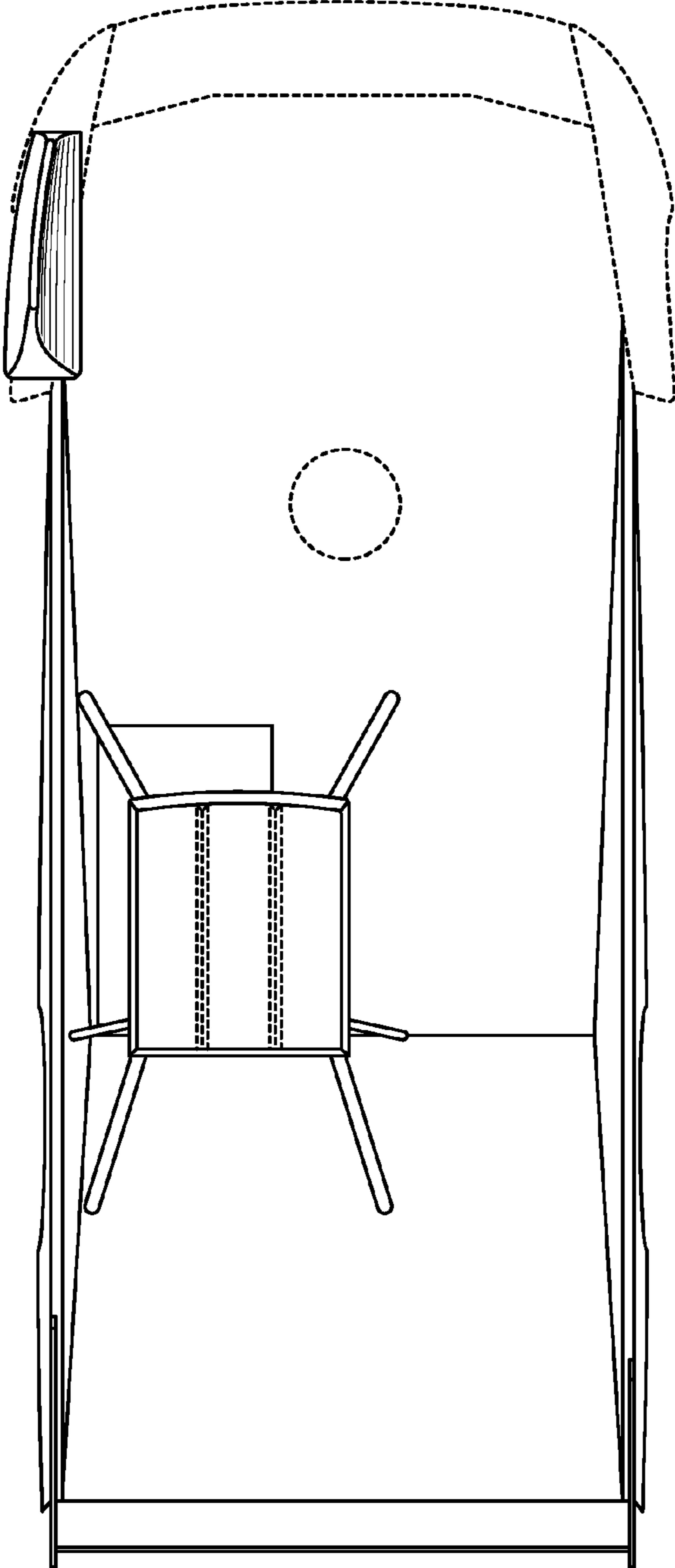


FIG. 8

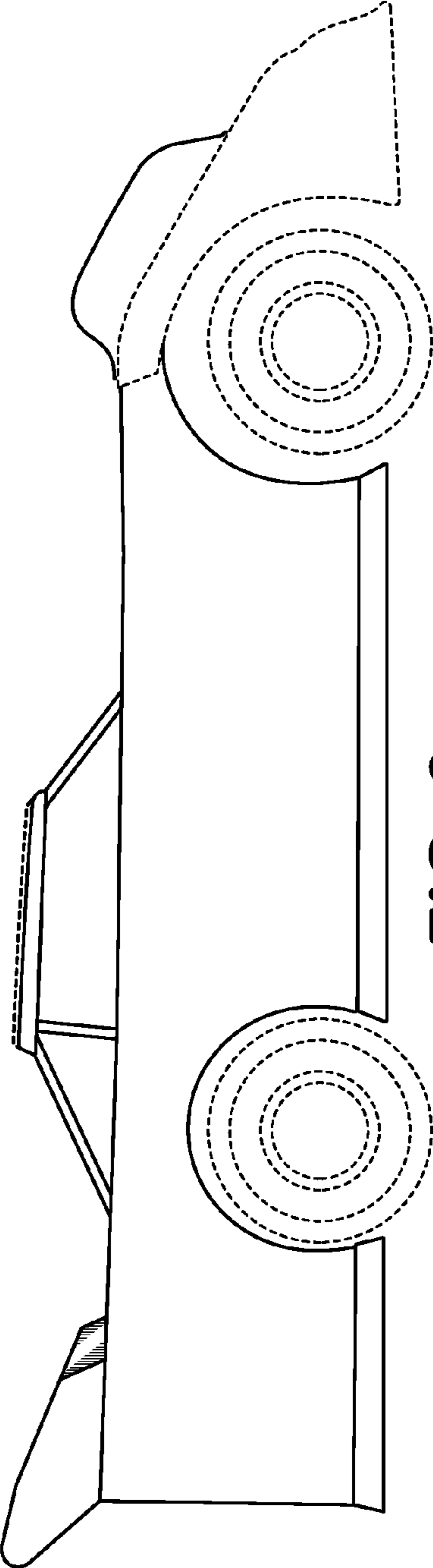
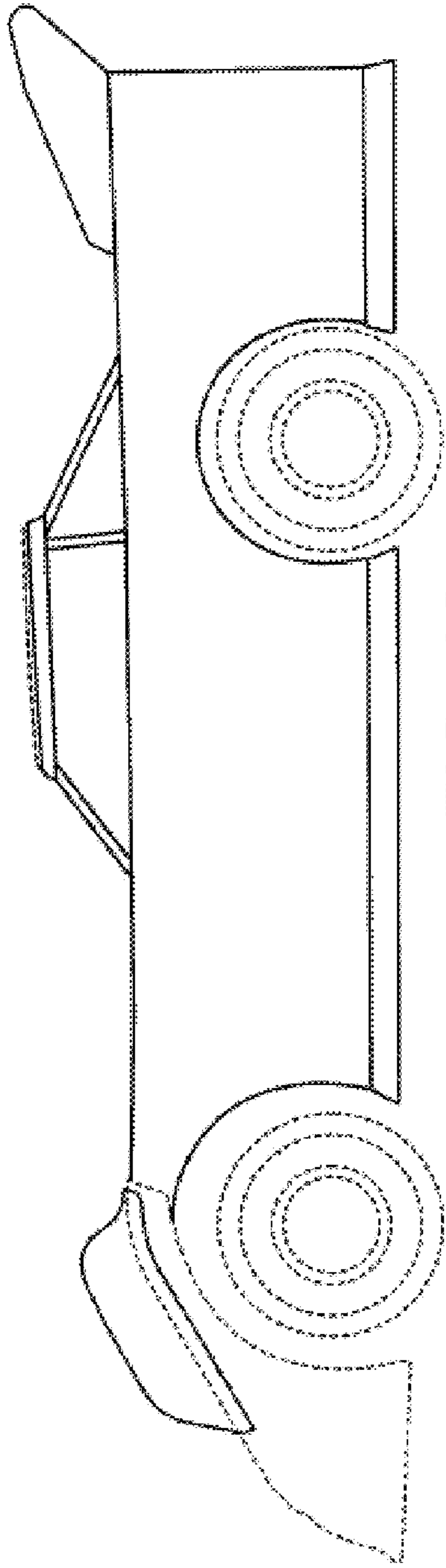
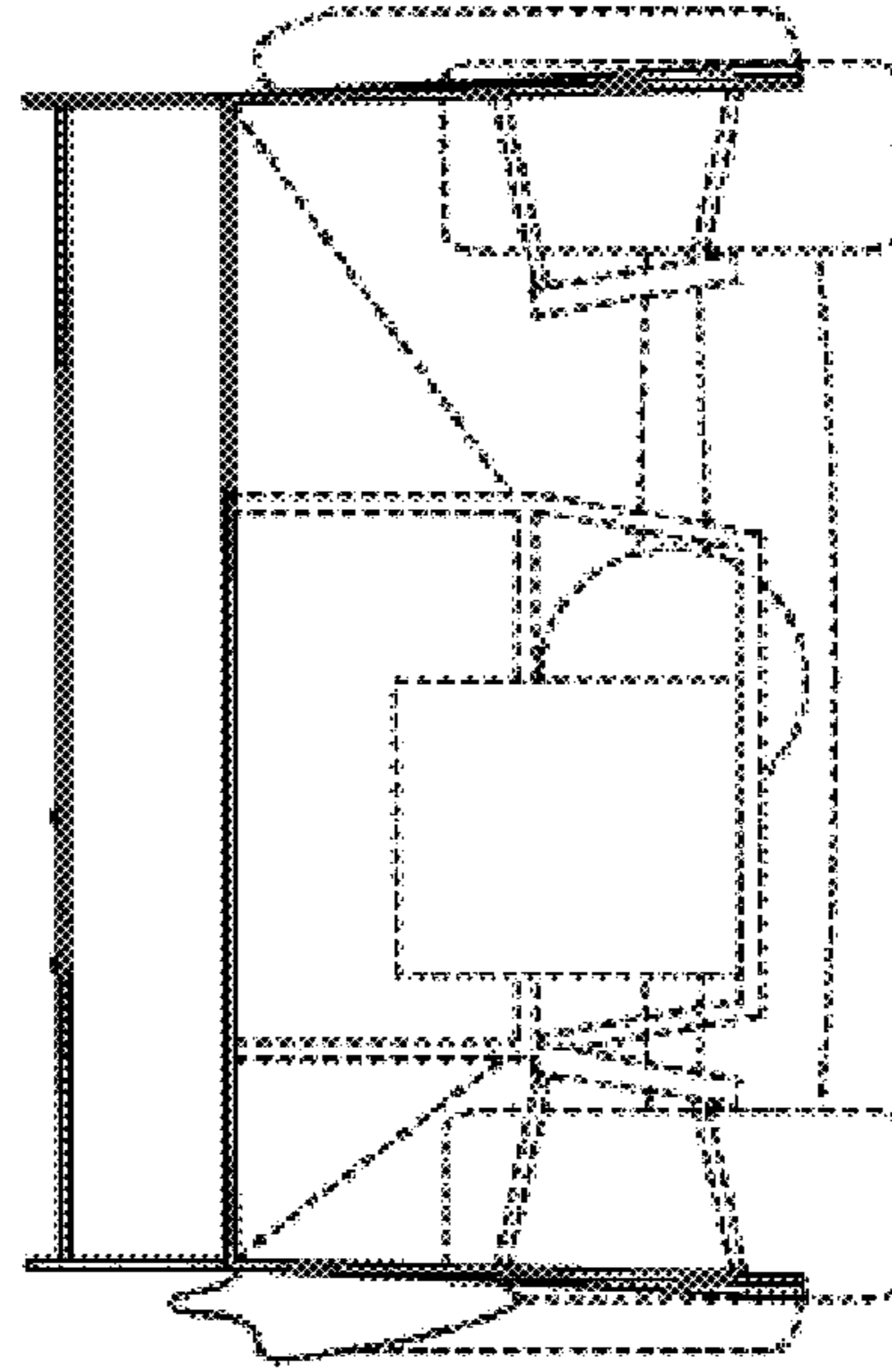


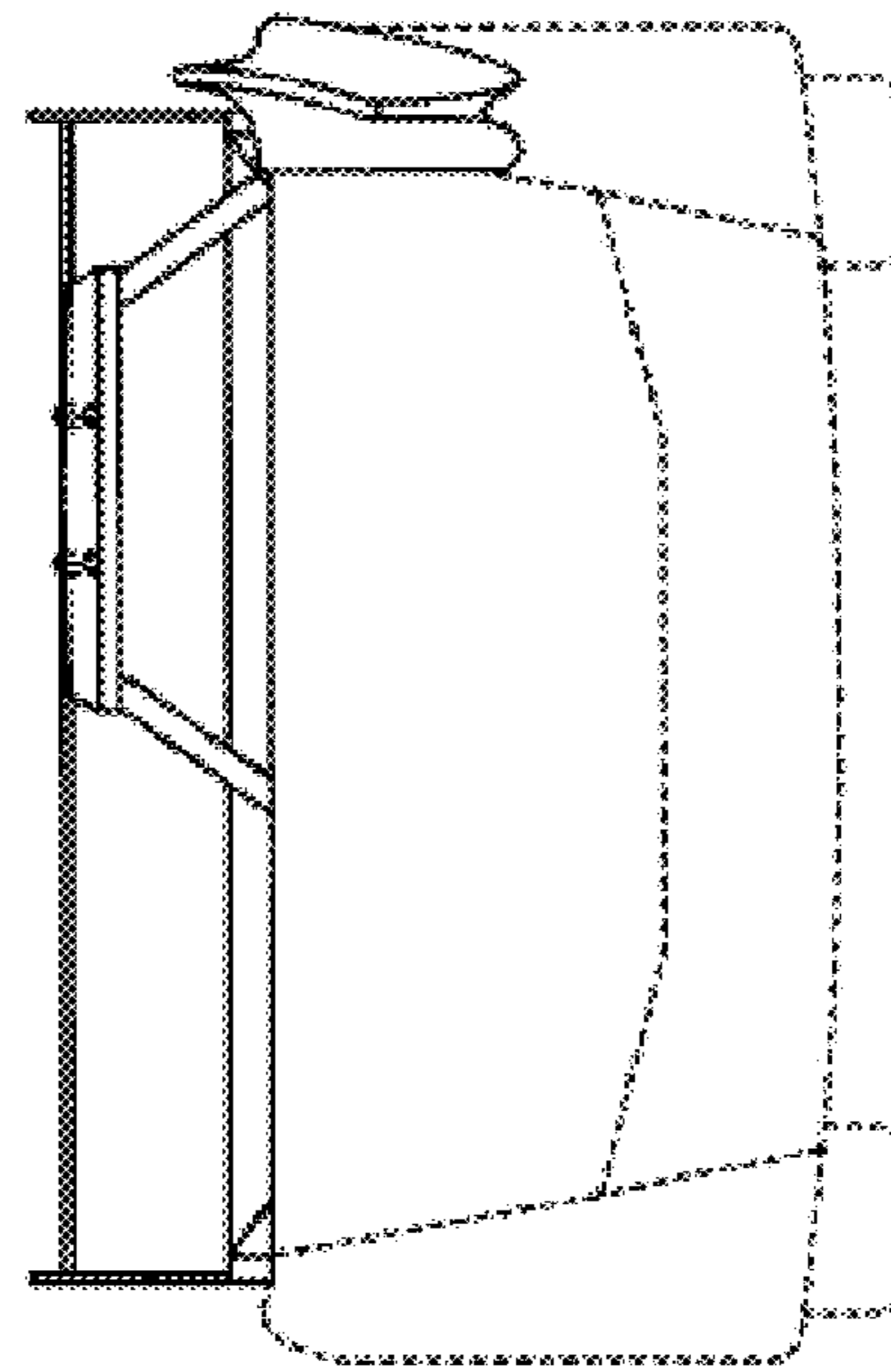
FIG. 9



**FIG. 10**



**FIG. 12**



**FIG. 11**