



US00D644564S

(12) **United States Design Patent**
Kojima et al.

(10) **Patent No.:** **US D644,564 S**

(45) **Date of Patent:** **** Sep. 6, 2011**

(54) **CHAIN FOR SLIDE FASTENER**

(75) Inventors: **Masayoshi Kojima**, Toyama-ken (JP);
Aya Shigematsu, Toyama-ken (JP)

(73) Assignee: **YKK Corporation** (JP)

(**) Term: **14 Years**

(21) Appl. No.: **29/383,620**

(22) Filed: **Jan. 20, 2011**

(30) **Foreign Application Priority Data**

Jul. 21, 2010 (JP) 2010-017652

(51) **LOC (9) Cl.** **02-07**

(52) **U.S. Cl.** **D11/221**

(58) **Field of Classification Search** D11/200,
D11/201, 221; 24/381-383, 385-387, 414-417,
24/421-422, 427-431, 433, 405; 2/265
See application file for complete search history.

(56) **References Cited**

U.S. PATENT DOCUMENTS

2,660,774 A * 12/1953 Heimann et al. 24/412
2,701,401 A * 2/1955 Dorman 24/433

D252,896 S * 9/1979 Jovin D11/221
D265,606 S * 8/1982 Kasai D11/221
D274,016 S * 5/1984 Kasai D11/221
D284,330 S * 6/1986 Yoshikawa et al. D11/221
D293,225 S * 12/1987 Hasegawa D11/221
7,353,570 B2 * 4/2008 Himi 24/405
D628,123 S * 11/2010 Kojima et al. D11/221
D631,789 S * 2/2011 Takani D11/221
D632,218 S * 2/2011 Yamamoto et al. D11/221

* cited by examiner

Primary Examiner — Ralf Seifert

(74) *Attorney, Agent, or Firm* — Kilpatrick Townsend & Stockton LLP

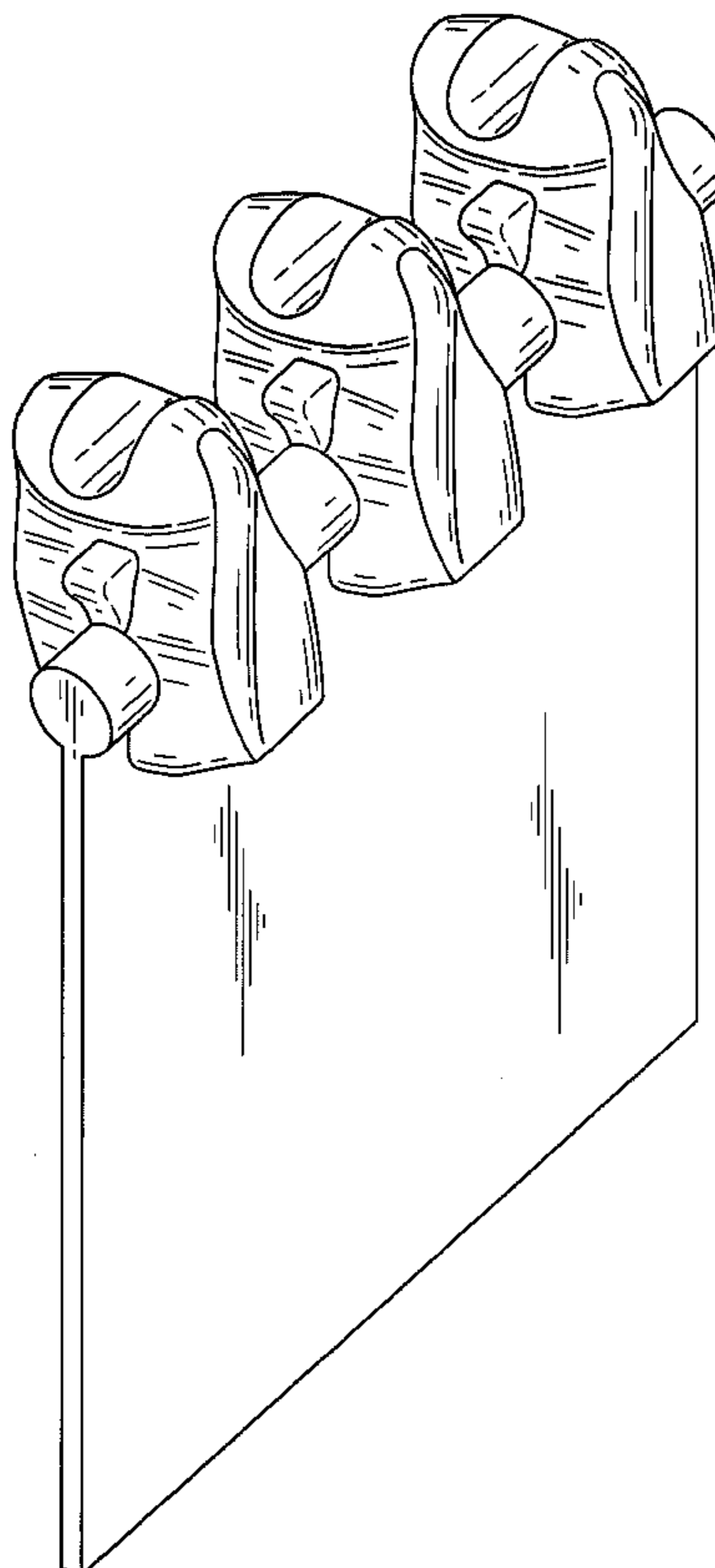
(57) **CLAIM**

The ornamental design for a chain for slide fastener, as shown and described.

DESCRIPTION

FIG. 1 is a perspective view of the top, front and left of a chain for slide fastener showing our new design;
FIG. 2 is a front view thereof;
FIG. 3 is a top plan view thereof;
FIG. 4 is a bottom view thereof;
FIG. 5 is a right side view thereof; and,
FIG. 6 is a reference view thereof.

1 Claim, 4 Drawing Sheets



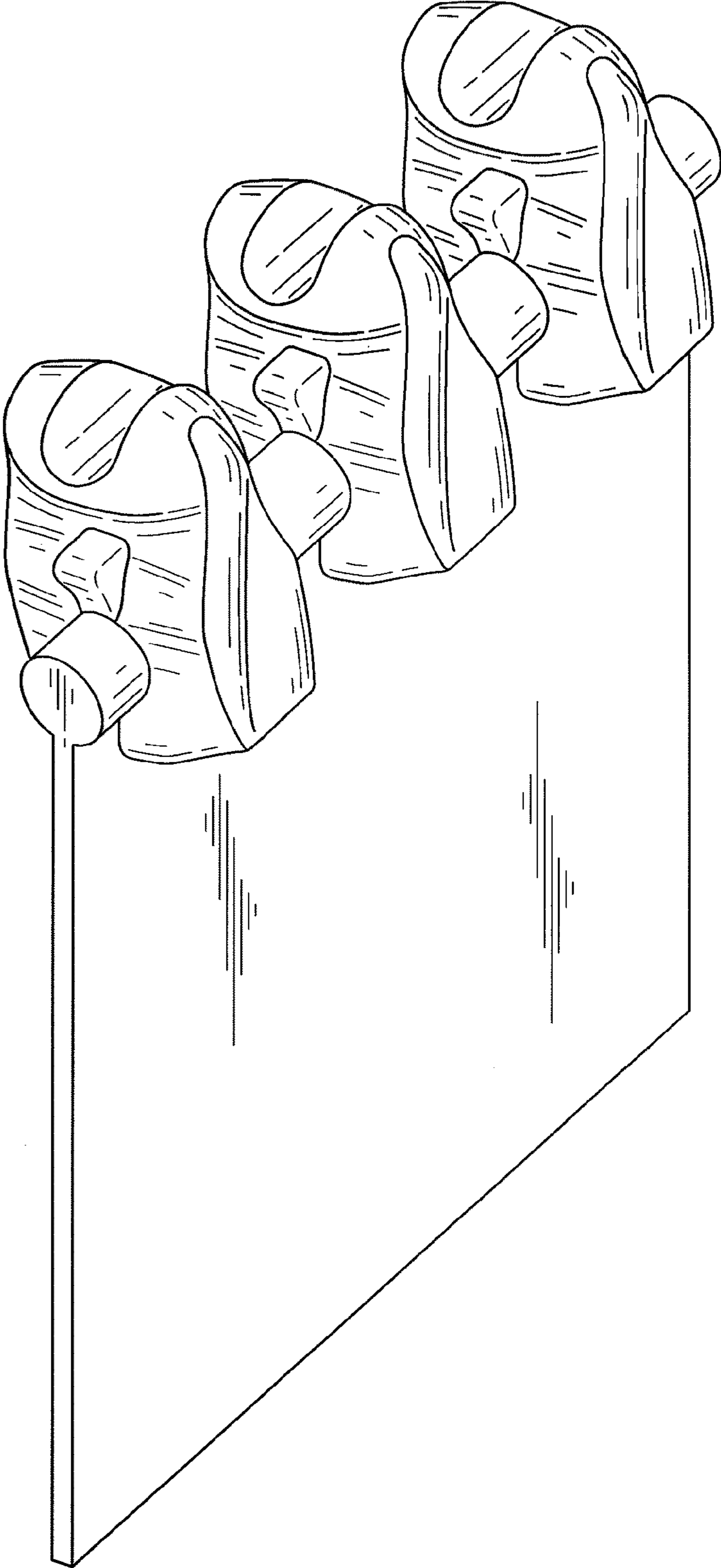


FIG. 1

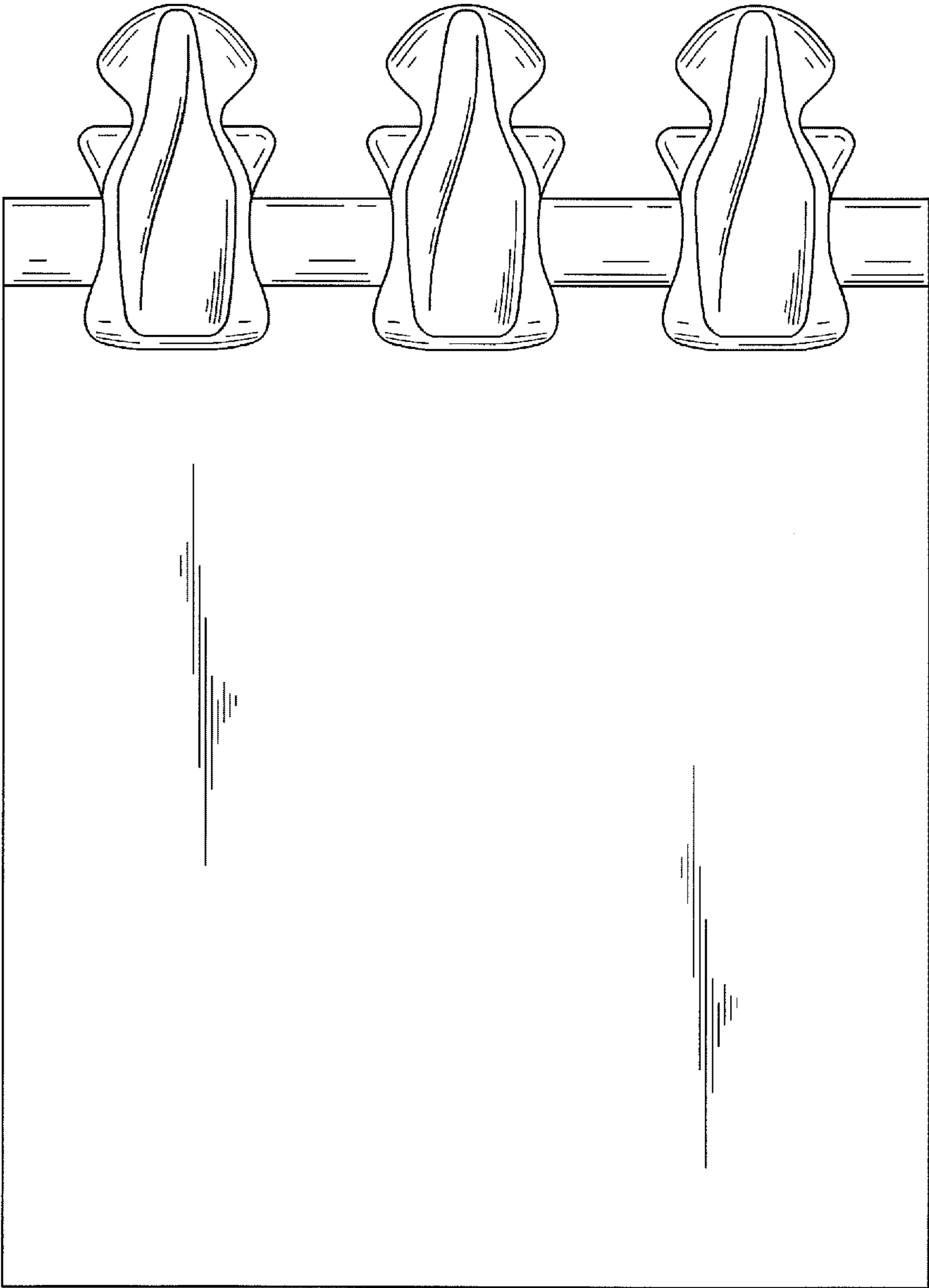


FIG. 2

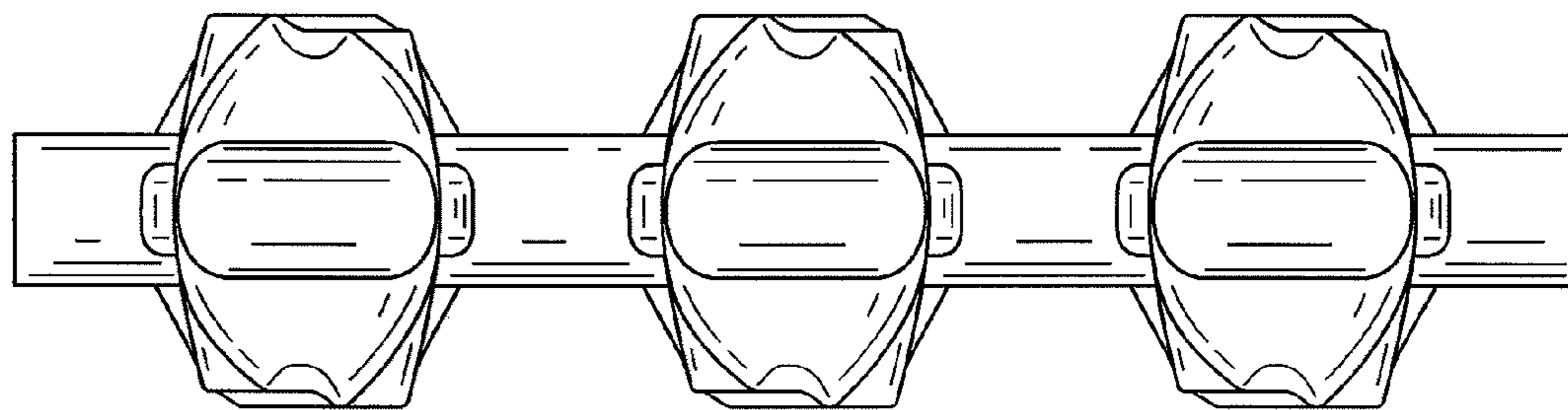


FIG. 3

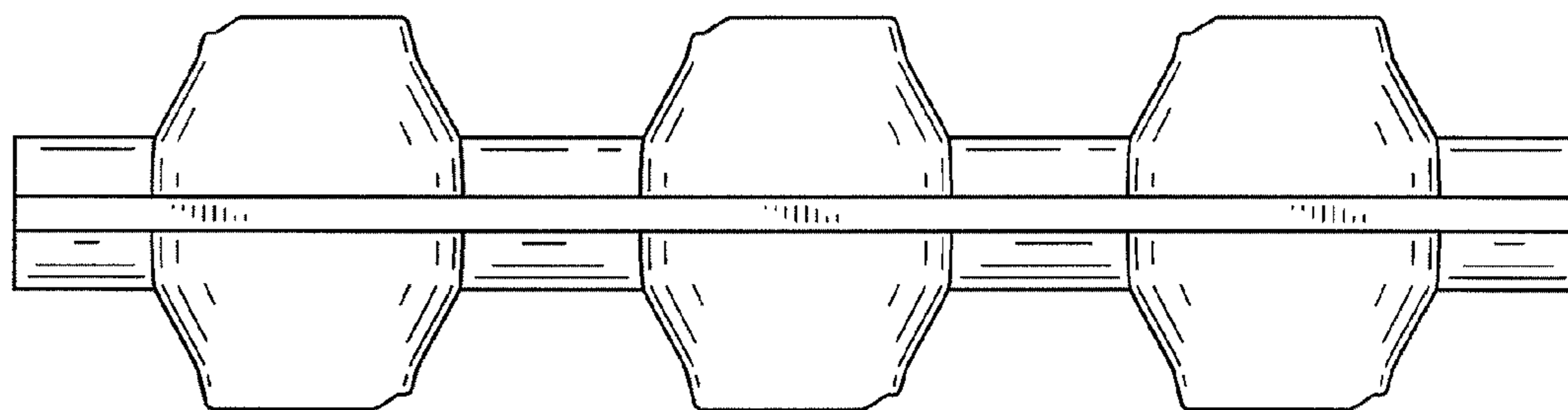


FIG. 4

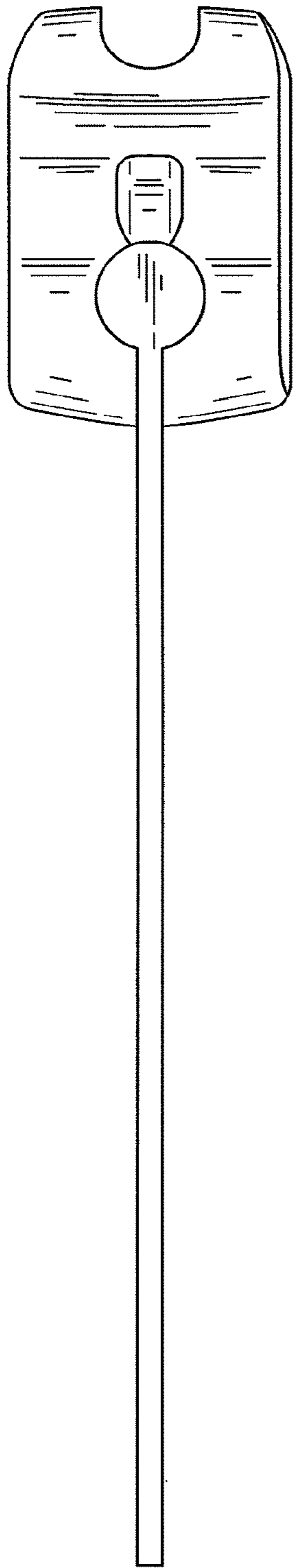


FIG. 5

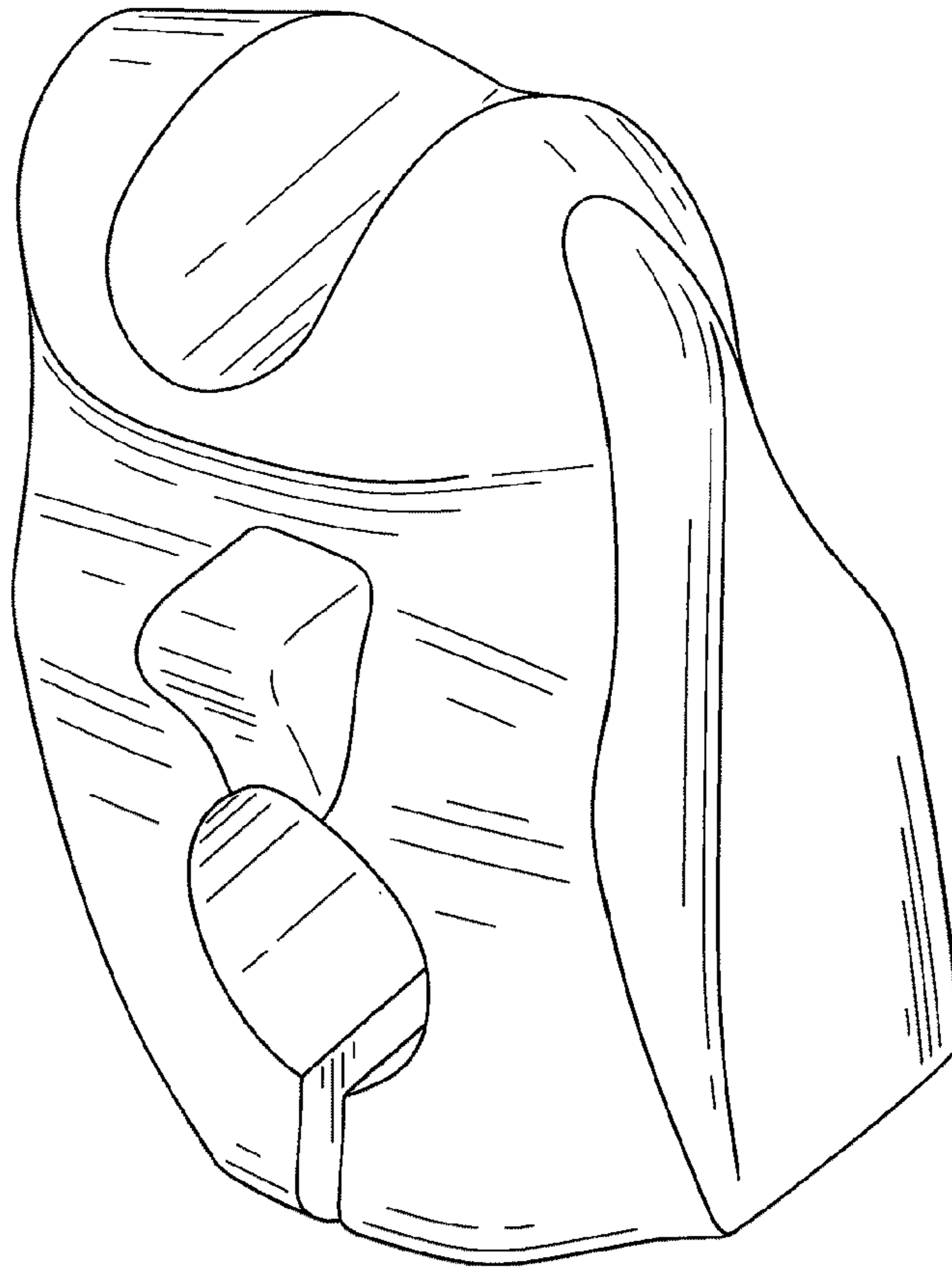


FIG. 6