



US00D644562S

(12) **United States Design Patent**
Hashimoto

(10) **Patent No.:** **US D644,562 S**
(45) **Date of Patent:** **** Sep. 6, 2011**

(54) **PLANT CULTIVATING BED**

(75) Inventor: **Masaki Hashimoto**, Ibaraki (JP)

(73) Assignee: **Suntory Holdings Limited**, Osaka (JP)

(**) Term: **14 Years**

(21) Appl. No.: **29/361,894**

(22) Filed: **May 17, 2010**

(30) **Foreign Application Priority Data**

Nov. 20, 2009 (JP) 2009-027206

(51) **LOC (9) Cl.** **11-02**

(52) **U.S. Cl.** **D11/164; D11/143**

(58) **Field of Classification Search** D6/403-405,
D6/556-558; D8/1; D11/143-156, 164;
D19/77, 80, 81, 84; D25/100; D26/9-11,
D26/16, 19; D34/1, 2, 4-6; D99/5, 19; 47/17,
47/32.4, 32.5, 32.7, 33, 39, 41.01, 41.1, 41.11-41.15,
47/44-47, 65, 65.5, 65.9, 66.1, 66.2, 66.6,
47/66.7, 67-71

See application file for complete search history.

(56) **References Cited**

U.S. PATENT DOCUMENTS

D254,874 S * 4/1980 Totten D11/145
5,321,909 A * 6/1994 Loran 47/71
D358,841 S * 5/1995 Ascone D19/77

D361,308 S * 8/1995 Loran D11/164
D613,640 S * 4/2010 Kee D11/152
D625,566 S * 10/2010 Alford D26/10
2007/0130828 A1 * 6/2007 Mathy 47/65.9
2009/0260284 A1 * 10/2009 Barbalho 47/65.9
2010/0095586 A1 * 4/2010 Sichelto 47/65.9

* cited by examiner

Primary Examiner — Garth Rademaker

(74) *Attorney, Agent, or Firm* — Greenblum & Bernstein P.L.C.

(57) **CLAIM**

The ornamental design for a plant cultivating bed, as shown and described.

DESCRIPTION

FIG. 1 is a front elevation view of a plant cultivating bed showing my new design, the rear elevation view being identical thereto;

FIG. 2 is a right side elevation view, the left side elevation view being identical thereto;

FIG. 3 is a top plan view thereof;

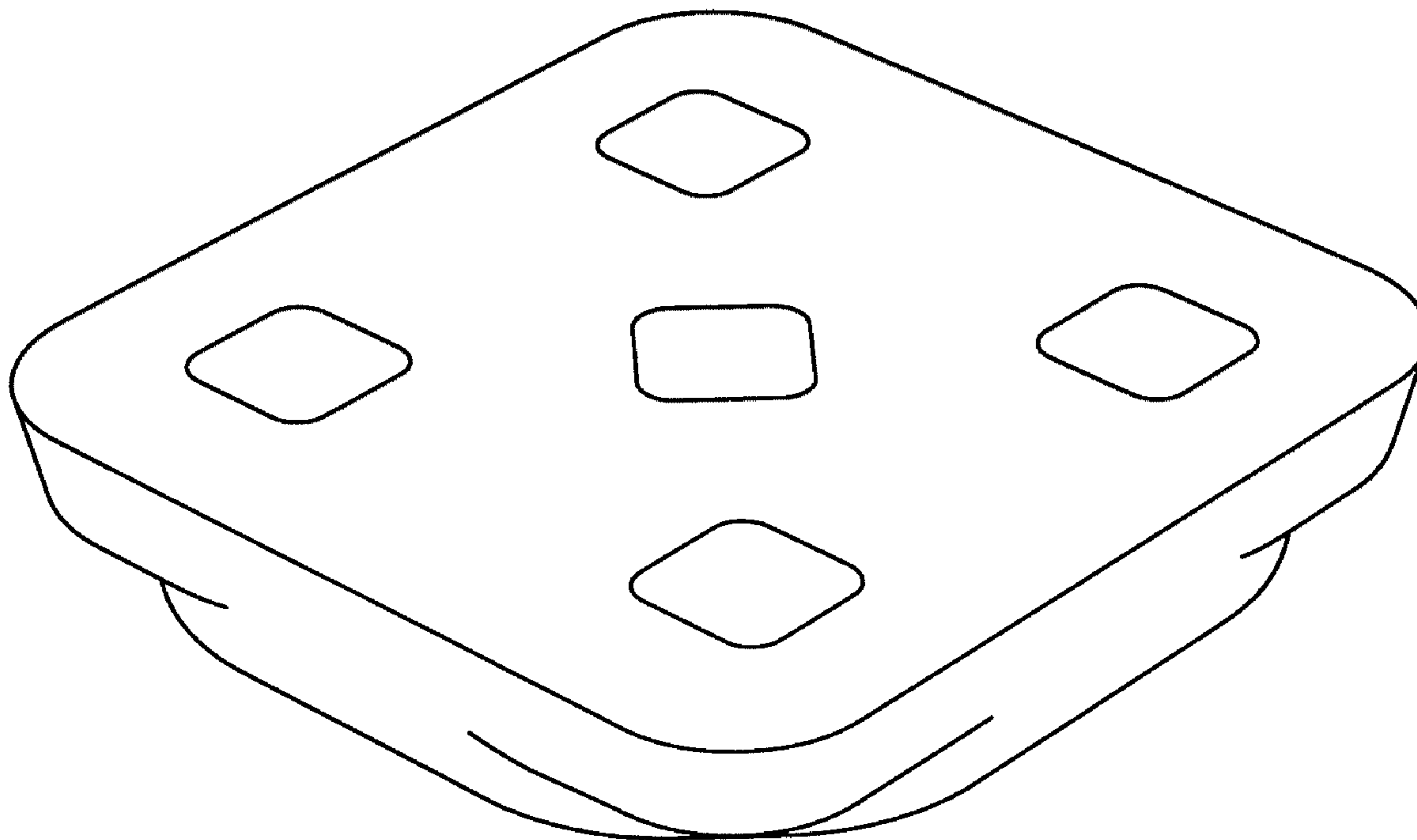
FIG. 4 is a bottom plan view thereof;

FIG. 5 is a perspective view thereof; and,

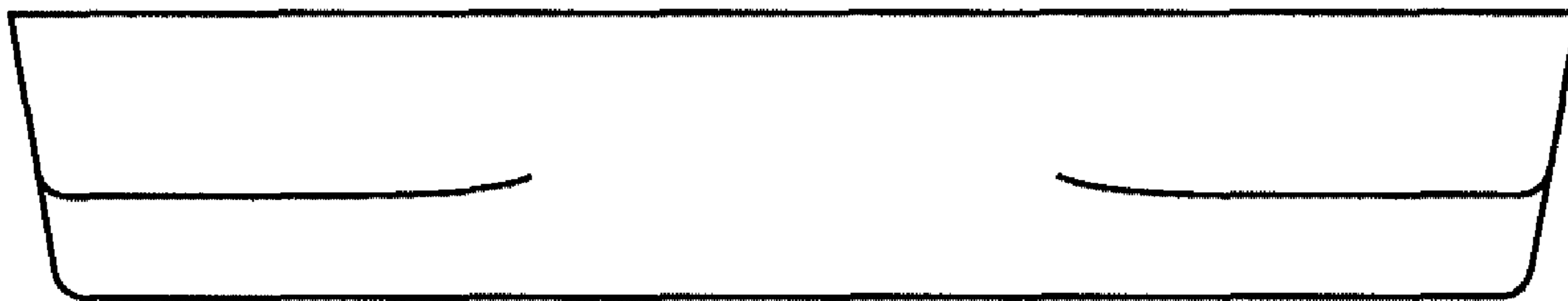
FIG. 6 is a cross-section view taken on line 6-6 of FIG. 3.

An article relating to the present design application is a plant cultivating bed formed from a porous material that permits entry of a root of a plant. The porous material is molded by polymer resin or the like mixing cultivating soil such as bark compost, peat moss and leaf soil, for example.

1 Claim, 6 Drawing Sheets



F i g . 1



F i g . 2



F i g . 3

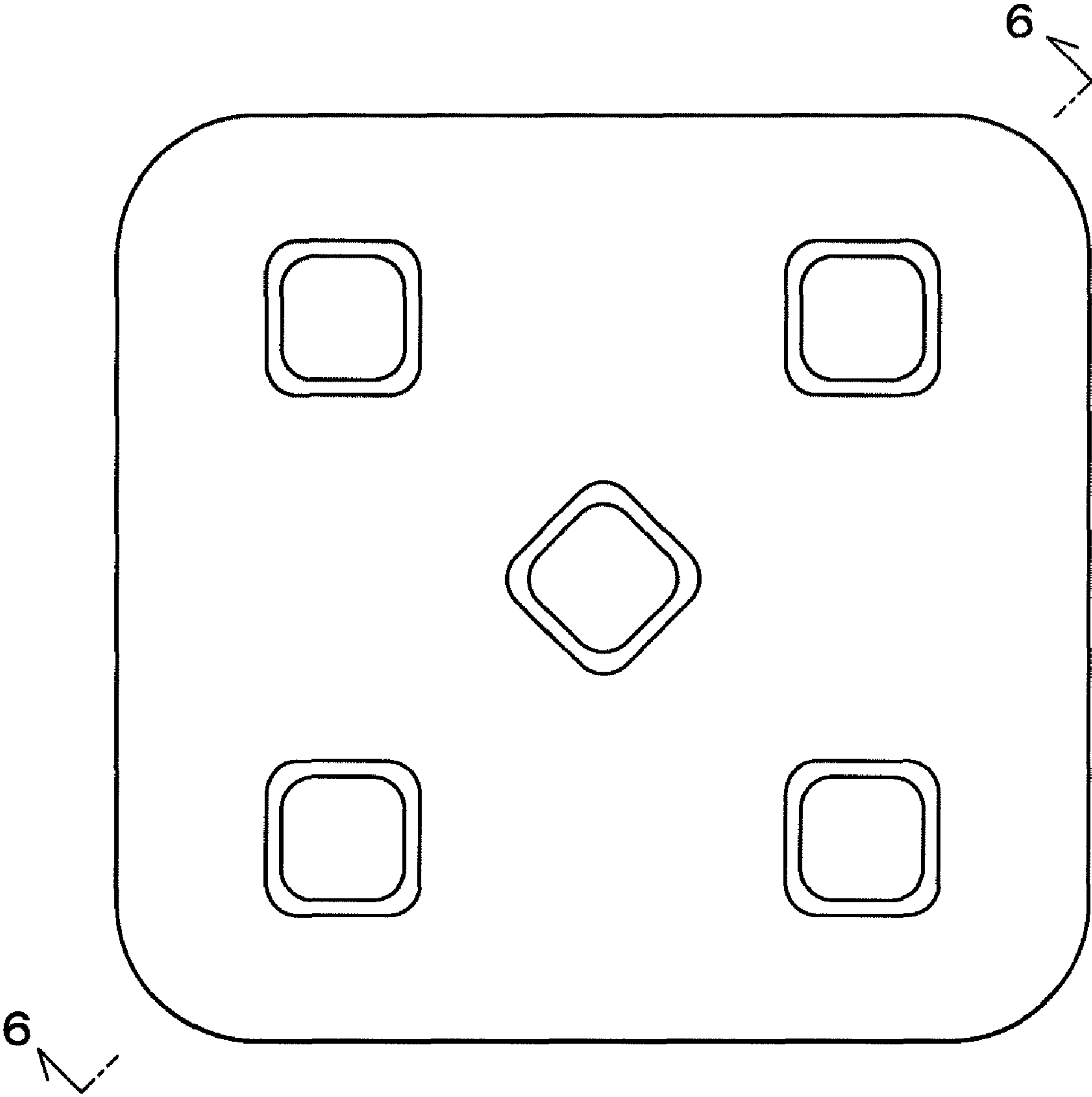


Fig. 4

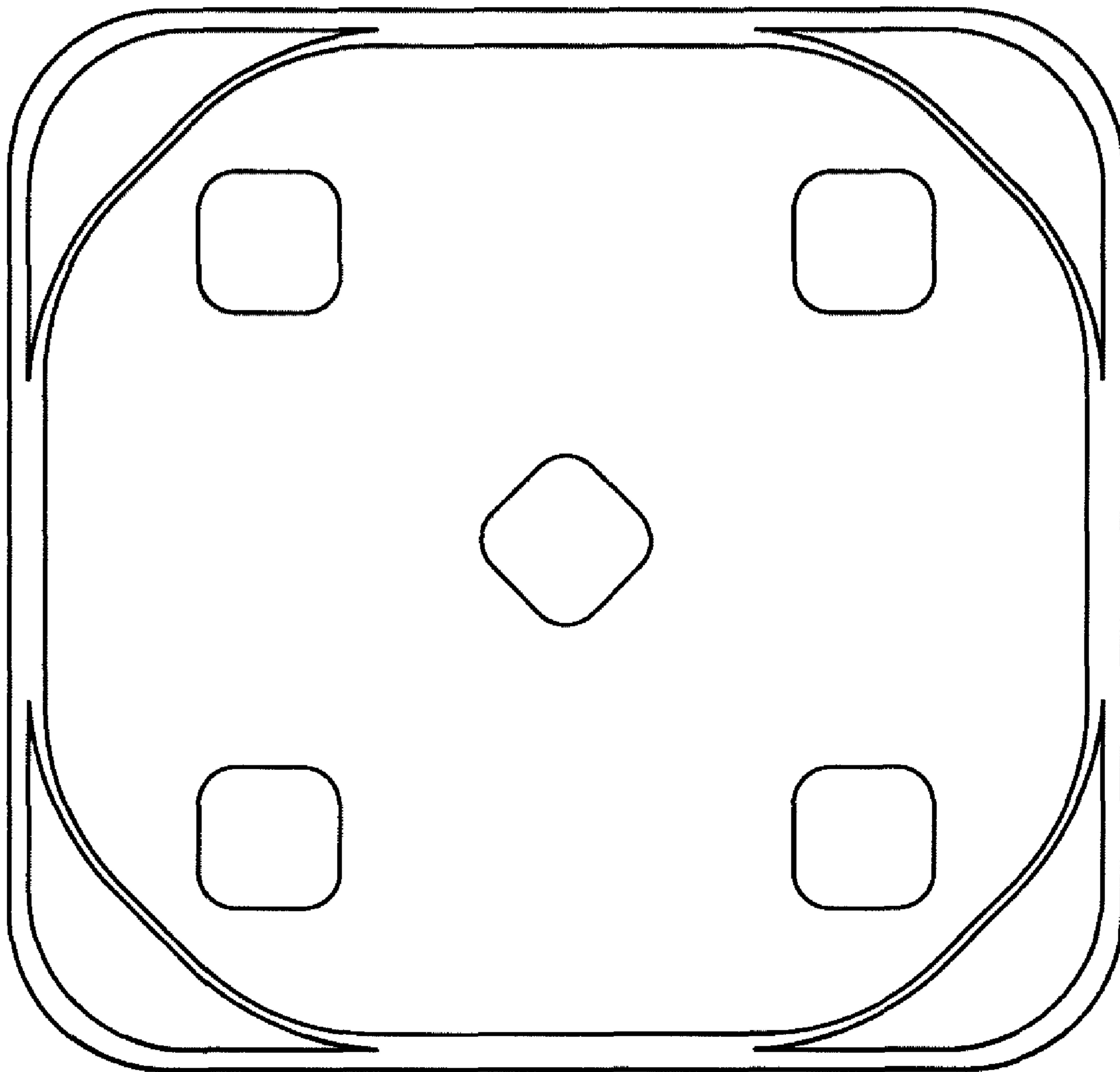
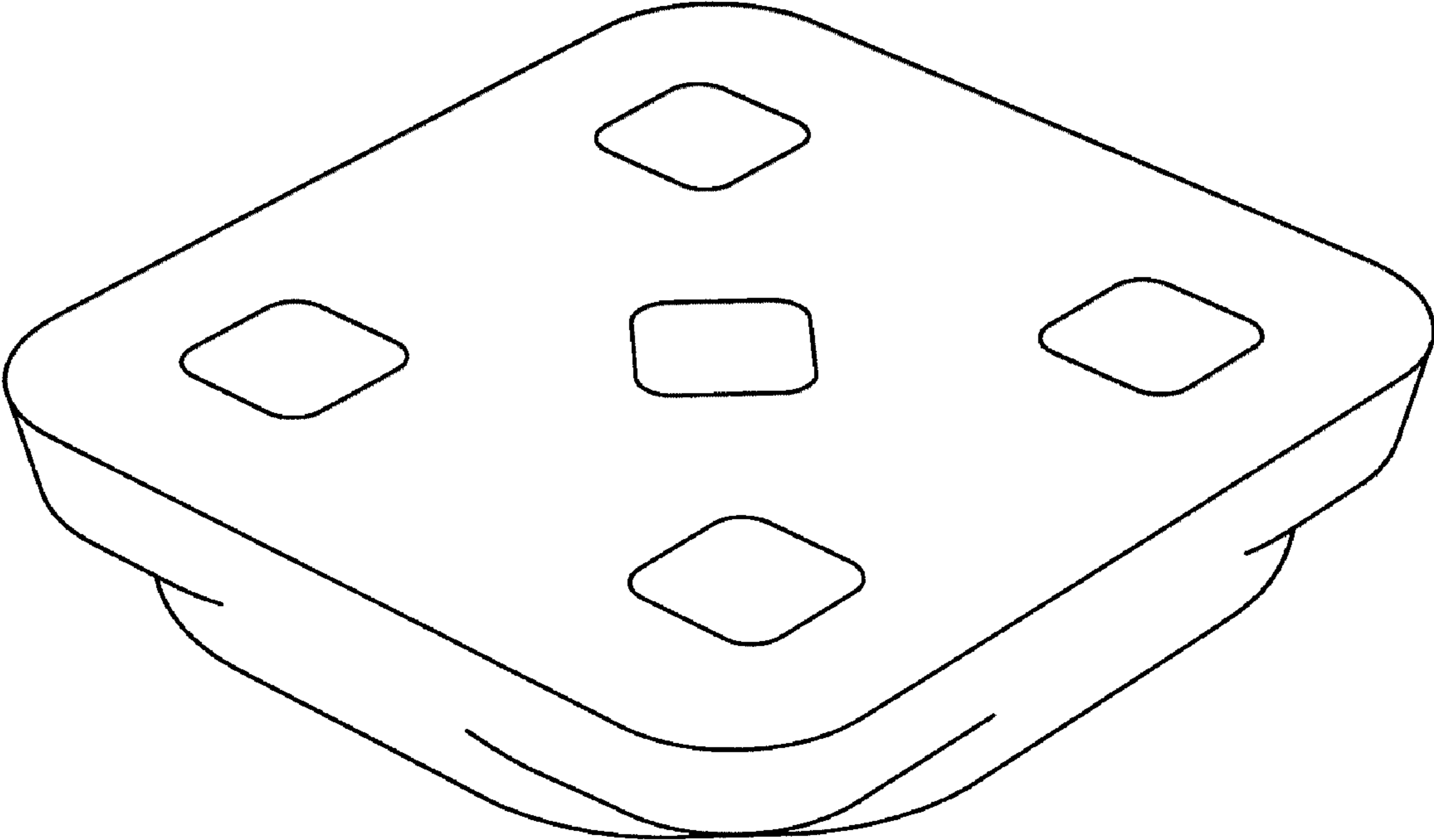


Fig. 5



F i g . 6

