



US00D644561S

(12) **United States Design Patent**  
**Hashimoto**

(10) **Patent No.:** **US D644,561 S**

(45) **Date of Patent:** **\*\* Sep. 6, 2011**

(54) **FRAME FOR HOLDING DECORATIVE ARTICLE**

(75) Inventor: **Masaki Hashimoto**, Ibaraki (JP)

(73) Assignee: **Suntory Holdings Limited**, Osaka (JP)

(\*\*) Term: **14 Years**

(21) Appl. No.: **29/375,831**

(22) Filed: **Sep. 28, 2010**

(30) **Foreign Application Priority Data**

Mar. 31, 2010 (JP) ..... 2010-008042

(51) **LOC (9) Cl.** ..... **11-02**

(52) **U.S. Cl.** ..... **D11/143**

(58) **Field of Classification Search** ..... D6/403-405,  
D6/556-558; D8/1; D11/143-156, 164;  
D19/77, 80, 81, 84; D25/100; D26/9-11,  
D26/16, 19; D34/1, 2, 4-6; D99/5, 19; 47/17,  
47/32.4, 32.5, 32.7, 33, 39, 41.01, 41.1, 41.11-41.15,  
47/44-47, 65, 65.5, 65.9, 66.1, 66.2, 66.6,  
47/66.7, 67-71

See application file for complete search history.

(56) **References Cited**

**U.S. PATENT DOCUMENTS**

986,395 A \* 3/1911 King ..... 47/33  
2,830,405 A \* 4/1958 Nydegger ..... D11/155  
D320,952 S \* 10/1991 Lang ..... D11/145  
D371,088 S \* 6/1996 Vollick ..... D11/145  
D453,709 S \* 2/2002 McCauley ..... D11/143  
D470,792 S \* 2/2003 Bonazzi ..... D11/143  
D481,971 S \* 11/2003 Hartelius et al. .... D11/143  
D555,861 S \* 11/2007 Larin ..... D34/1  
D573,917 S \* 7/2008 Bigoski ..... D11/143

D579,374 S \* 10/2008 Boyette et al. .... D11/143  
D620,218 S \* 7/2010 Larin ..... D34/1  
2007/0084107 A1 \* 4/2007 Ganti ..... 47/39  
2009/0293351 A1 \* 12/2009 De Pagter et al. .... 47/41.12

**OTHER PUBLICATIONS**

U.S. Appl. No. 29/375,822 to Masaki Hashimoto, which was filed Sep. 28, 2010.

U.S. Appl. No. 29/361,143 to Hashimoto, which was filed May 6, 2010.

\* cited by examiner

*Primary Examiner* — Garth Rademaker

(74) *Attorney, Agent, or Firm* — Greenblum & Bernstein P.L.C.

(57) **CLAIM**

The ornamental design for a frame for holding decorative article, as shown and described.

**DESCRIPTION**

FIG. 1 is a front elevation view of a frame for holding decorative article showing my new design;  
FIG. 2 is a rear elevation view thereof;  
FIG. 3 is a left side elevation view thereof;  
FIG. 4 is a right side elevation view thereof;  
FIG. 5 is a top plan view thereof;  
FIG. 6 is a bottom view thereof;  
FIG. 7 is a top, front, left side perspective view thereof;  
FIG. 8 is a bottom, rear, right side perspective view thereof;  
FIG. 9 is a cross-section view thereof, taken on line 9-9 of FIG. 1;  
FIG. 10 is a cross-section view thereof, taken on line 10-10 of FIG. 3; and,  
FIG. 11 is a perspective view thereof, shown in an environment of use.

**1 Claim, 11 Drawing Sheets**

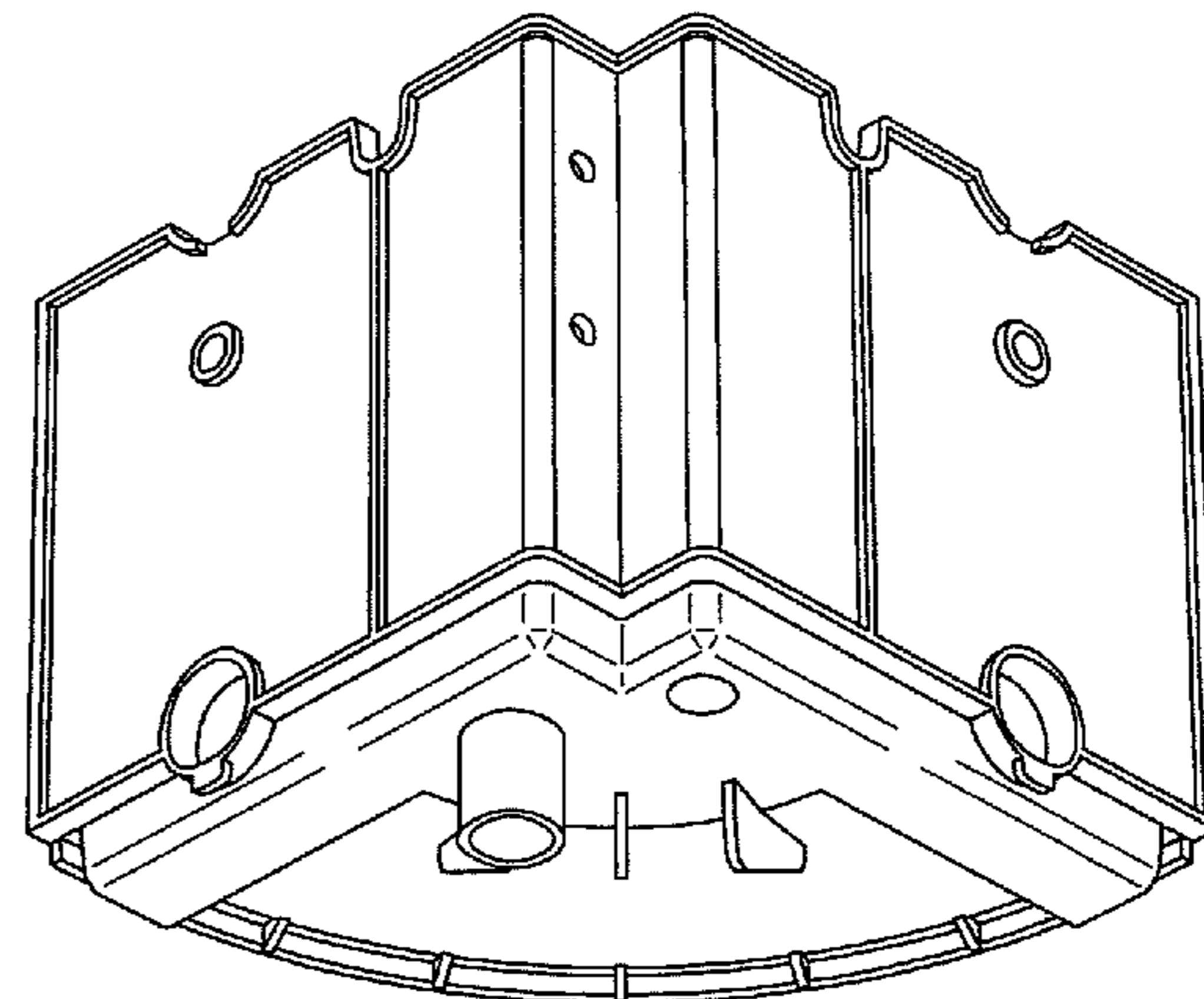
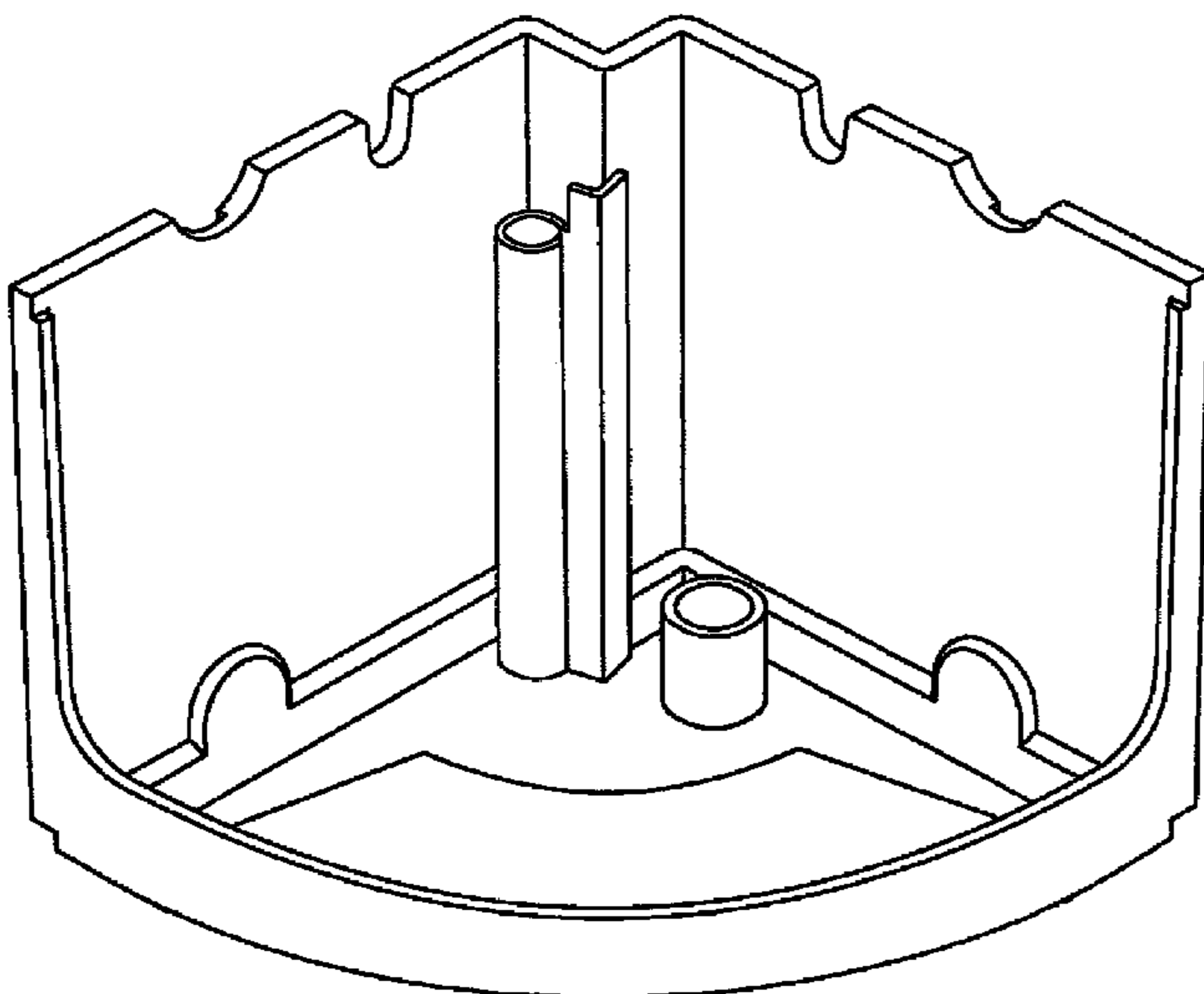
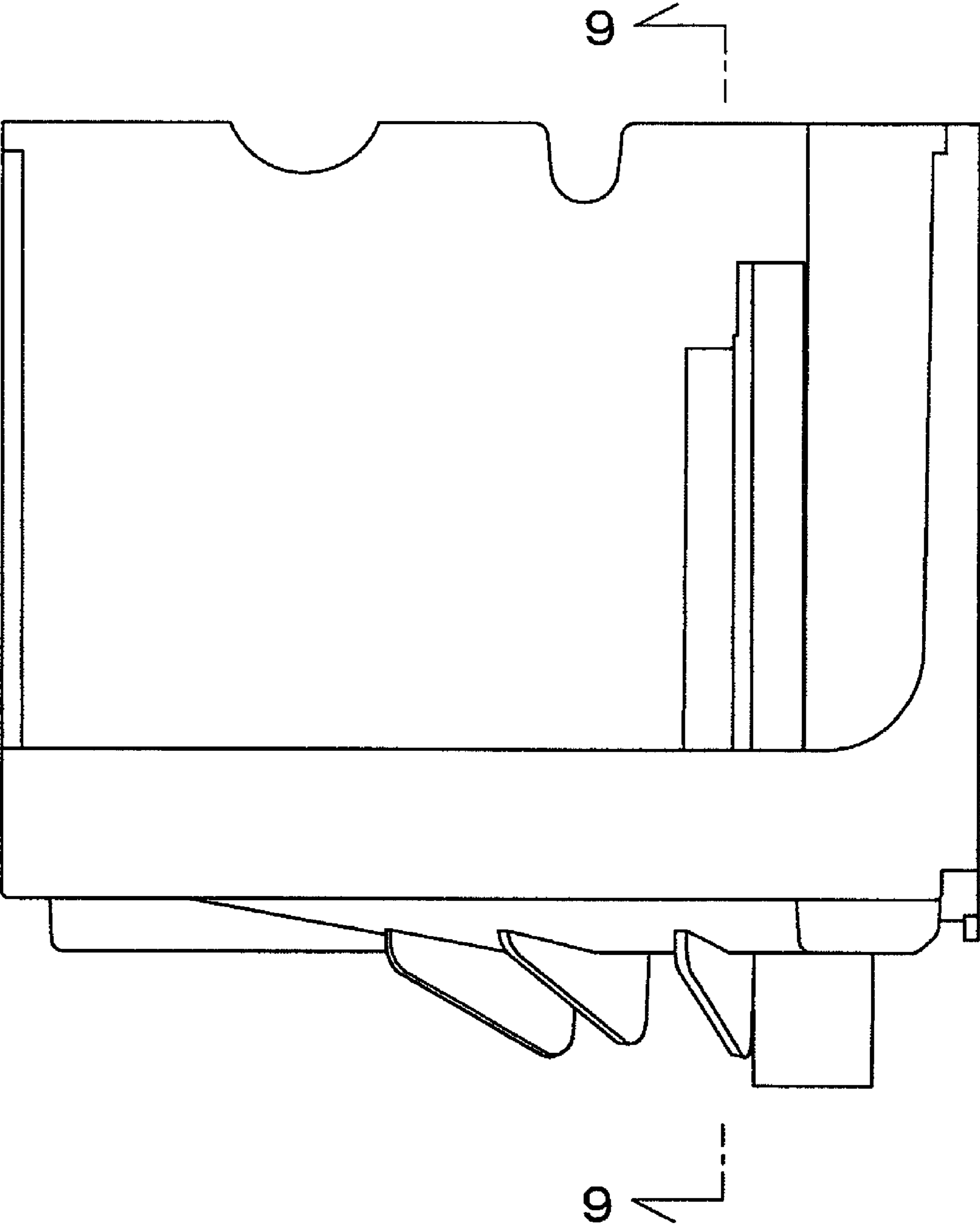


Fig. 1



F i g . 2

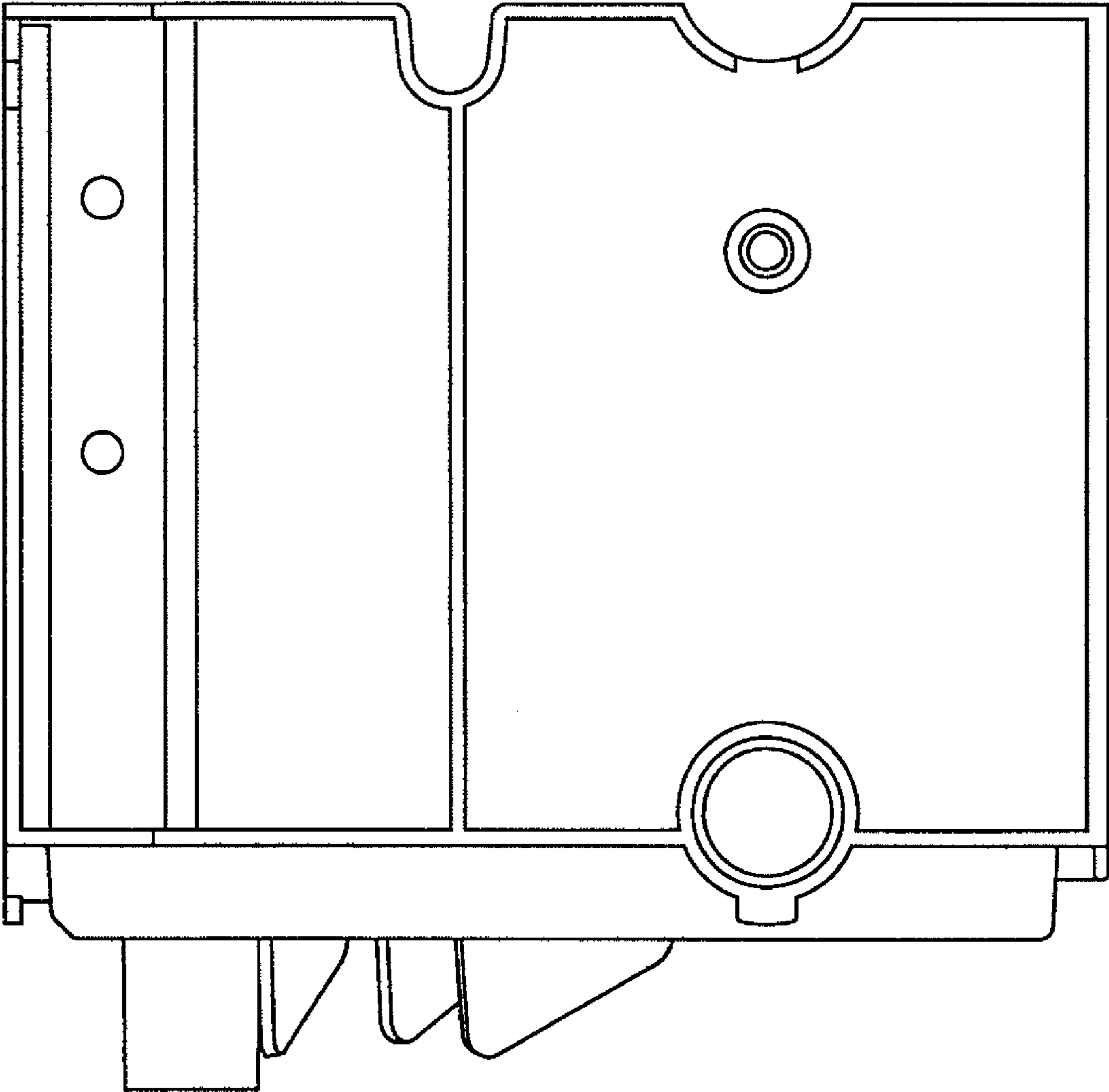
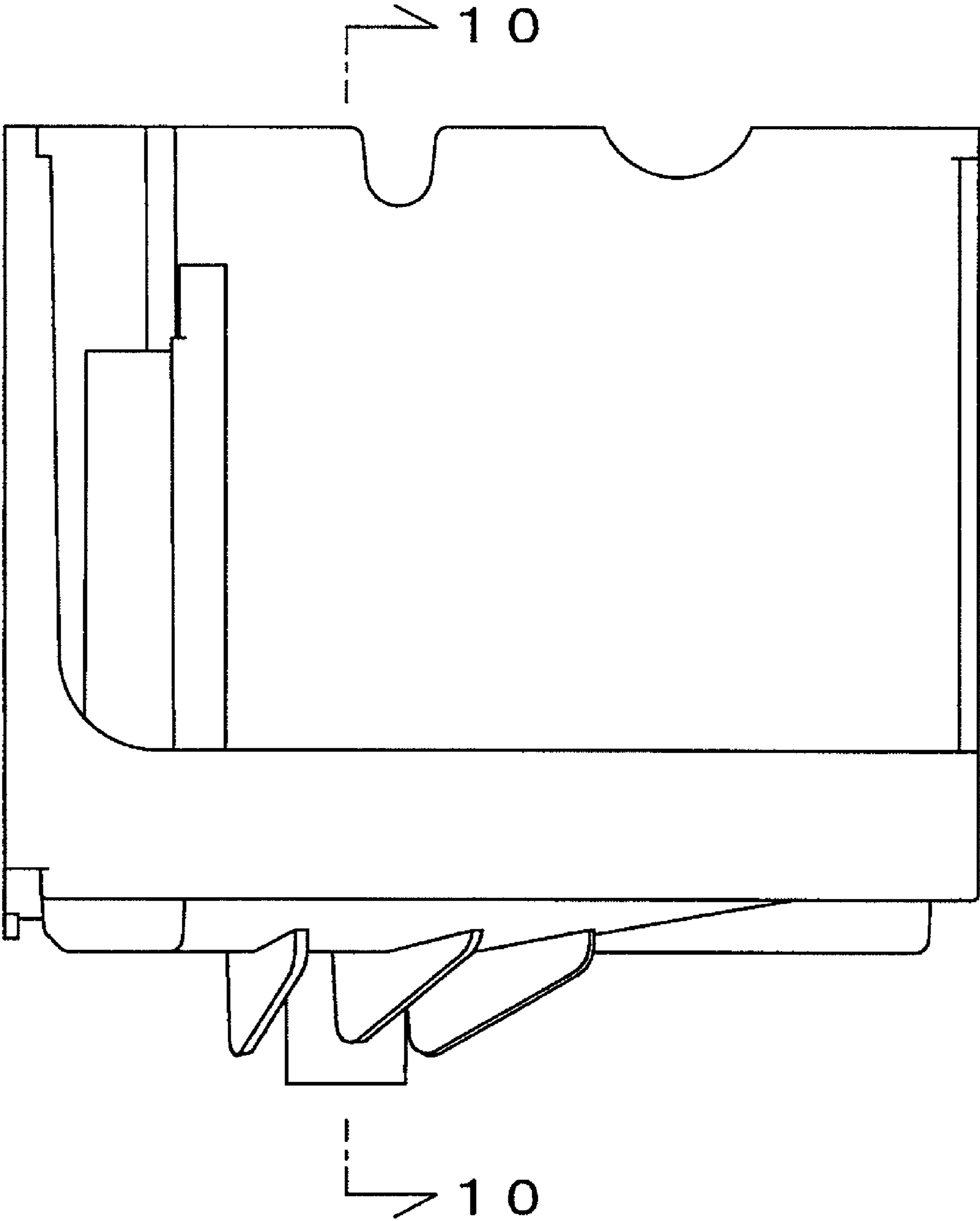


Fig. 3



F i g . 4

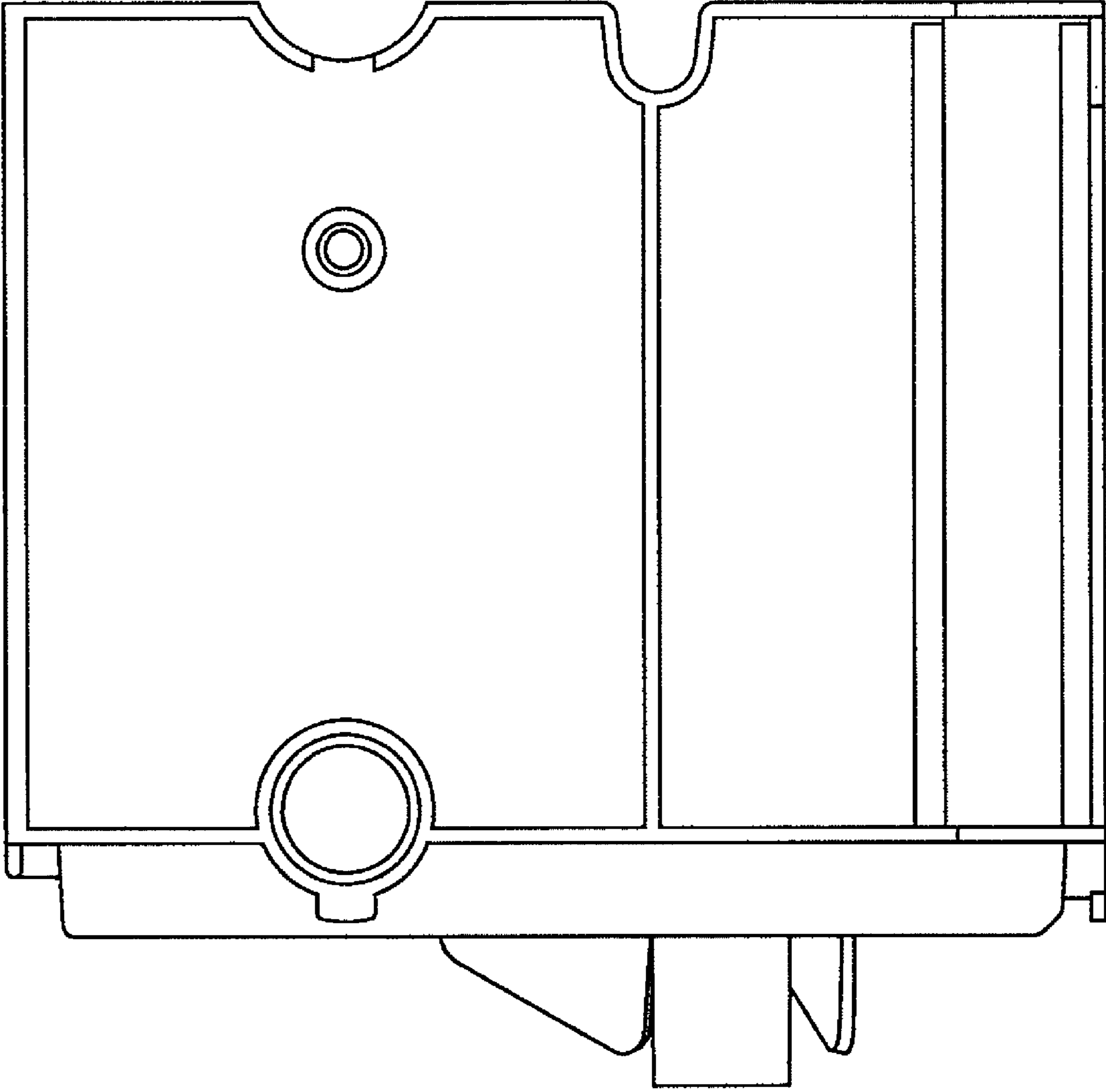


Fig. 5

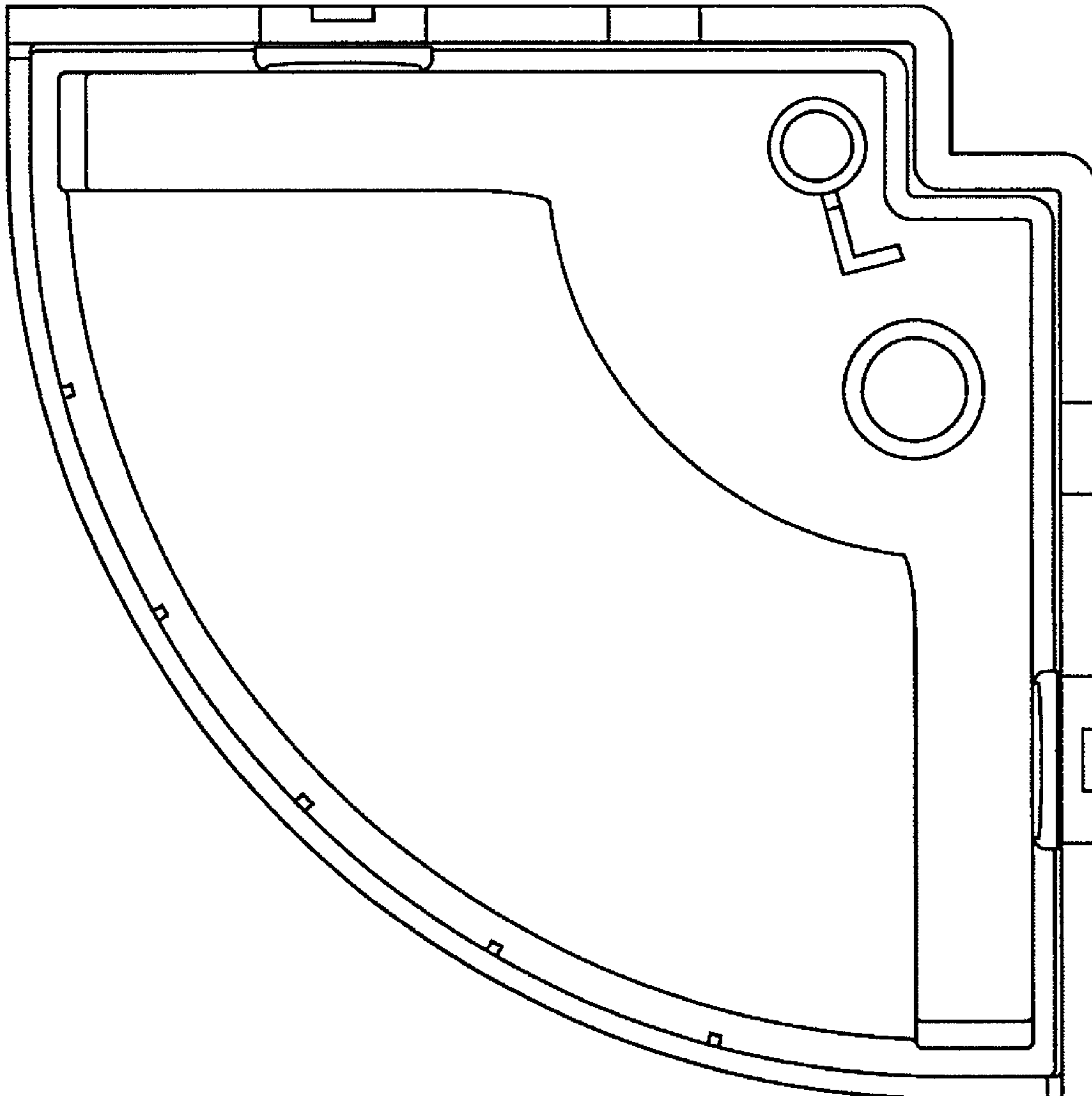


Fig. 6

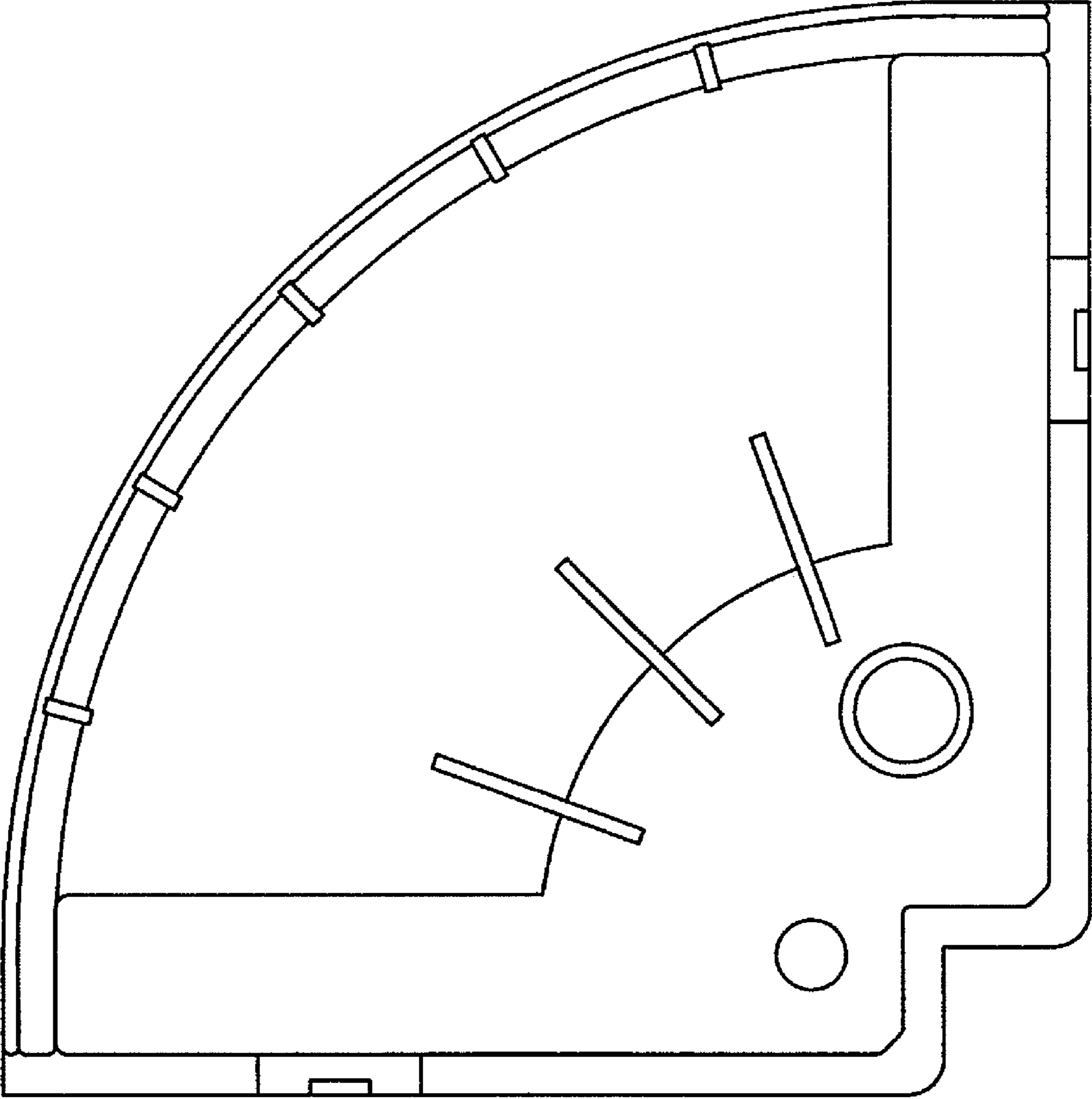
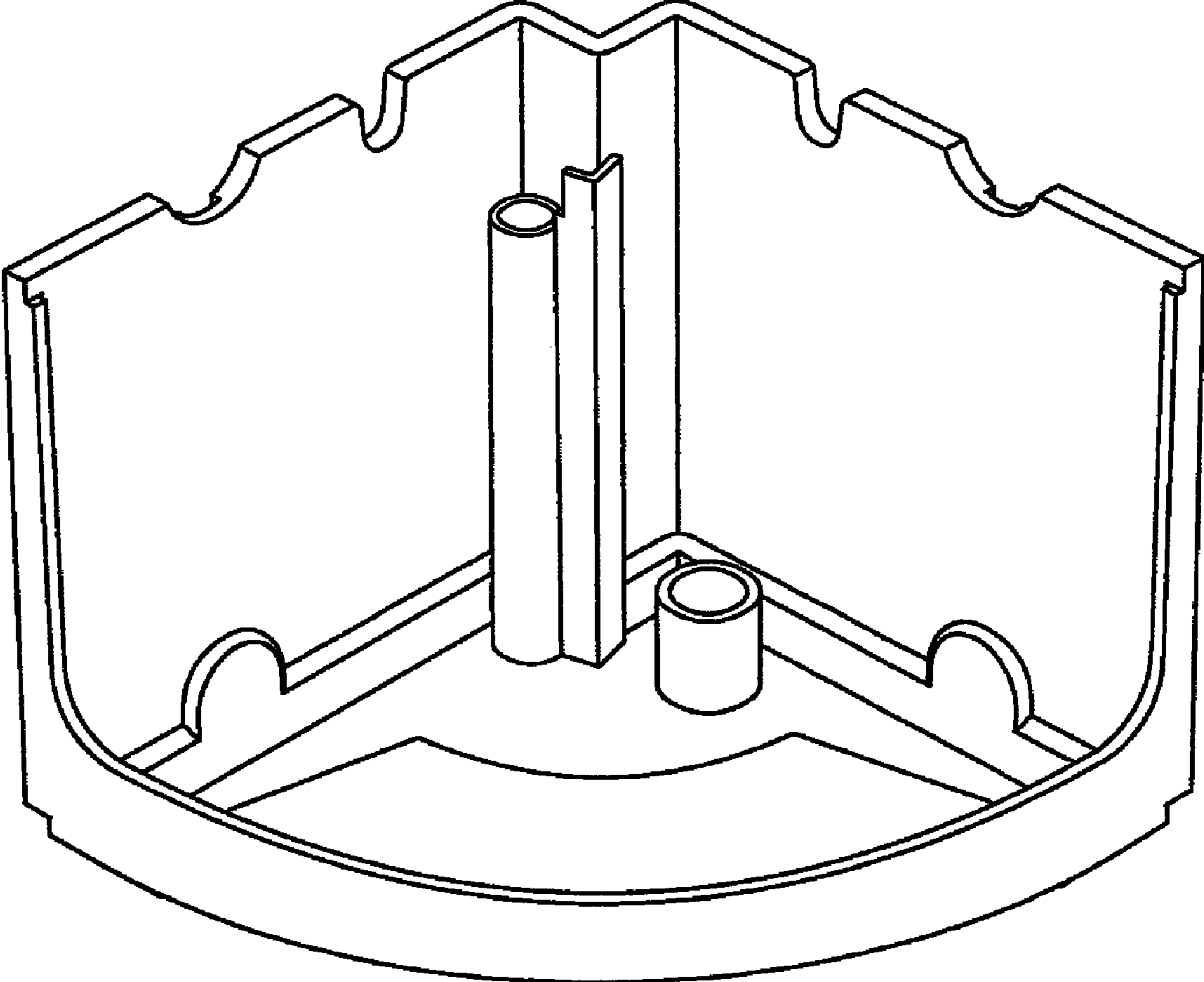
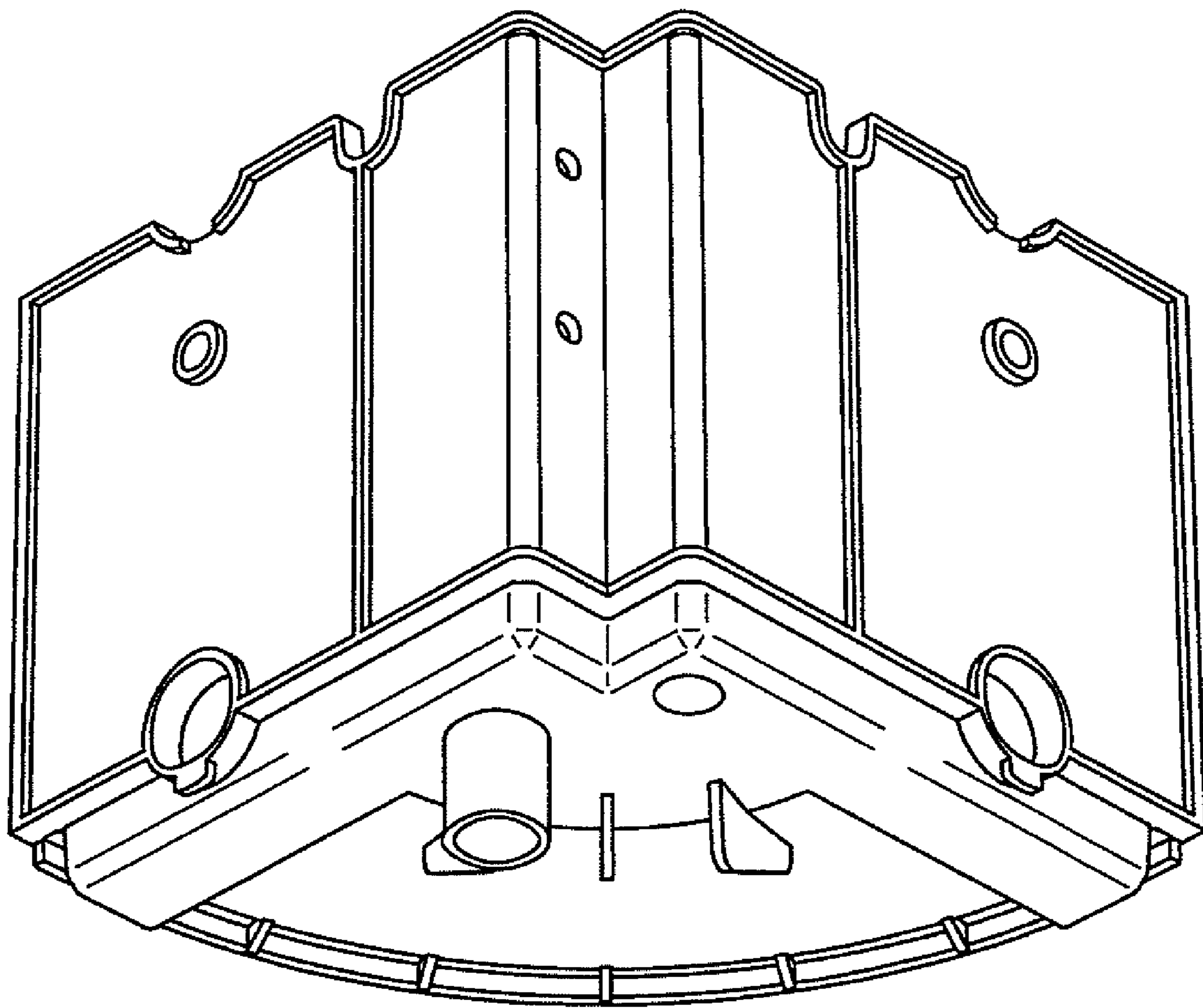


Fig. 7

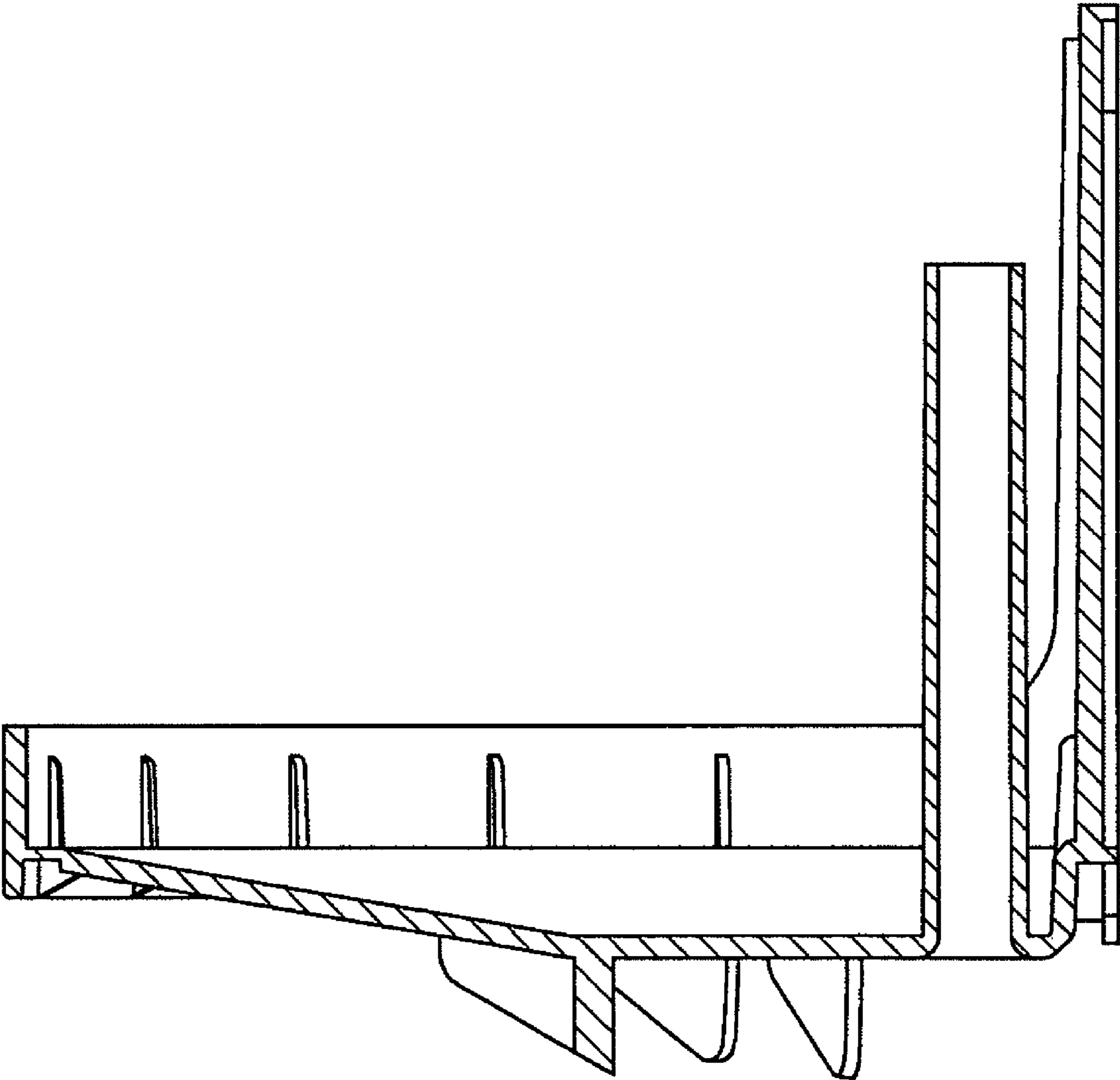




F i g . 8



F i g . 9



F i g . 1 0

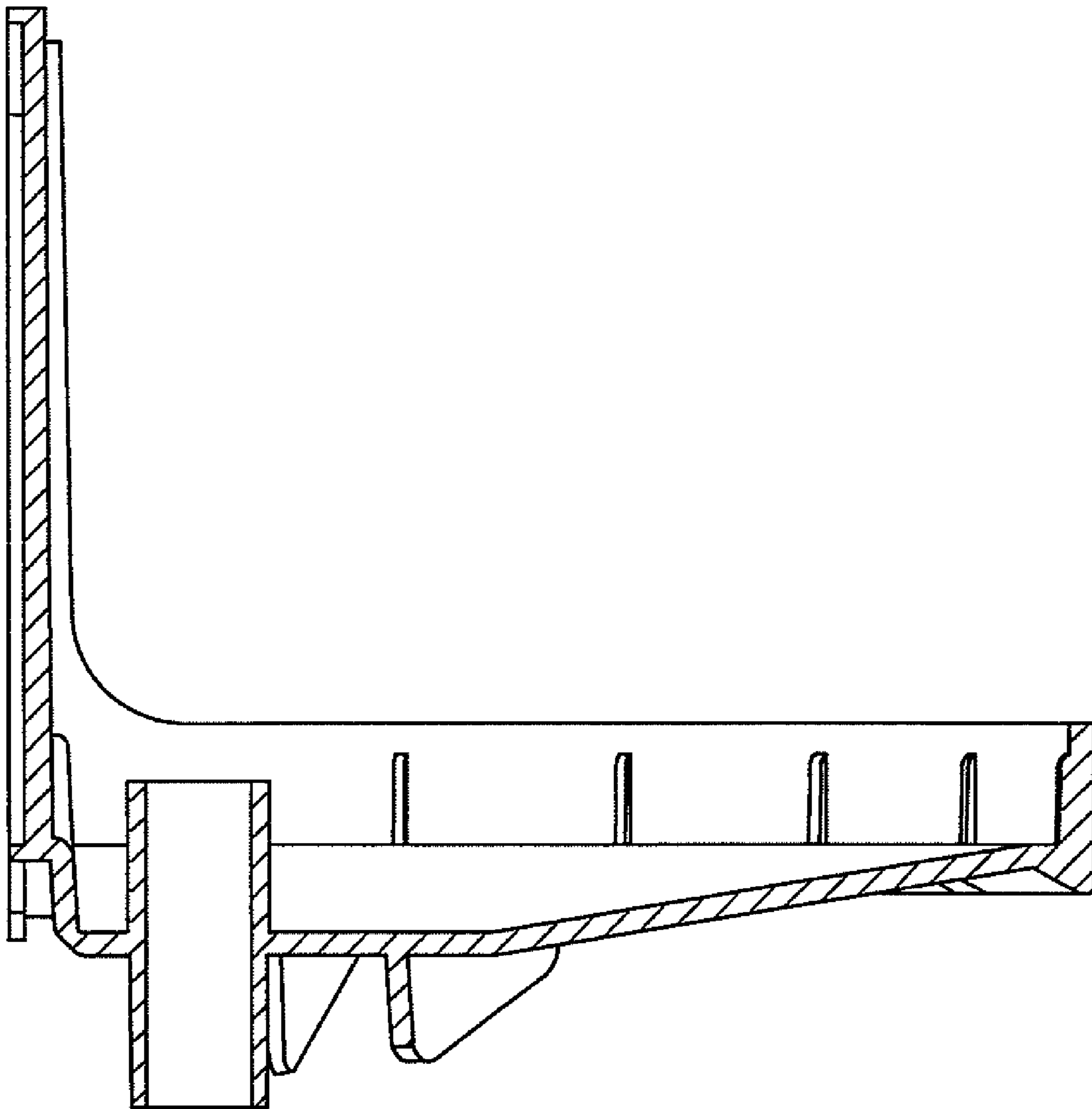


Fig. 11

