



US00D644559S

(12) **United States Design Patent**
Hashimoto

(10) **Patent No.:** **US D644,559 S**

(45) **Date of Patent:** **** Sep. 6, 2011**

(54) **PLANT CULTIVATING CONTAINER**

(75) Inventor: **Masaki Hashimoto**, Ibaraki (JP)

(73) Assignee: **Suntory Holdings Limited**, Osaka (JP)

(**) Term: **14 Years**

(21) Appl. No.: **29/361,895**

(22) Filed: **May 17, 2010**

(30) **Foreign Application Priority Data**

Nov. 20, 2009 (JP) 2009-027205

(51) **LOC (9) Cl.** **11-02**

(52) **U.S. Cl.** **D11/143; D11/155**

(58) **Field of Classification Search** D6/403-405,
D6/556-558; D8/1; D11/143-156, 164;
D19/77, 80, 81, 84; D25/100; D26/9-11,
D26/16, 19; D34/1, 2, 4-6; D99/5, 19; 47/17,
47/32.4, 32.5, 32.7, 33, 39, 41.01, 41.1, 41.11-41.15,
47/44-47, 65, 65.5, 65.9, 66.1, 66.2, 66.6,
47/66.7, 67-71

See application file for complete search history.

(56) **References Cited**

U.S. PATENT DOCUMENTS

D122,888 S * 10/1940 Brand D11/164
D254,874 S * 4/1980 Totten D11/145
D304,460 S * 11/1989 Holterscheidt D19/77
D357,034 S * 4/1995 King D19/77
D358,841 S * 5/1995 Ascone D19/77
D363,509 S * 10/1995 Parekh et al. D19/77

D624,846 S * 10/2010 Schick D11/156
2007/0130828 A1 * 6/2007 Mathy 47/65.9
2009/0260284 A1 * 10/2009 Barbalho 47/65.9
2010/0095586 A1 * 4/2010 Sichelto 47/65.9

* cited by examiner

Primary Examiner — Garth Rademaker

(74) *Attorney, Agent, or Firm* — Greenblum & Bernstein
P.L.C.

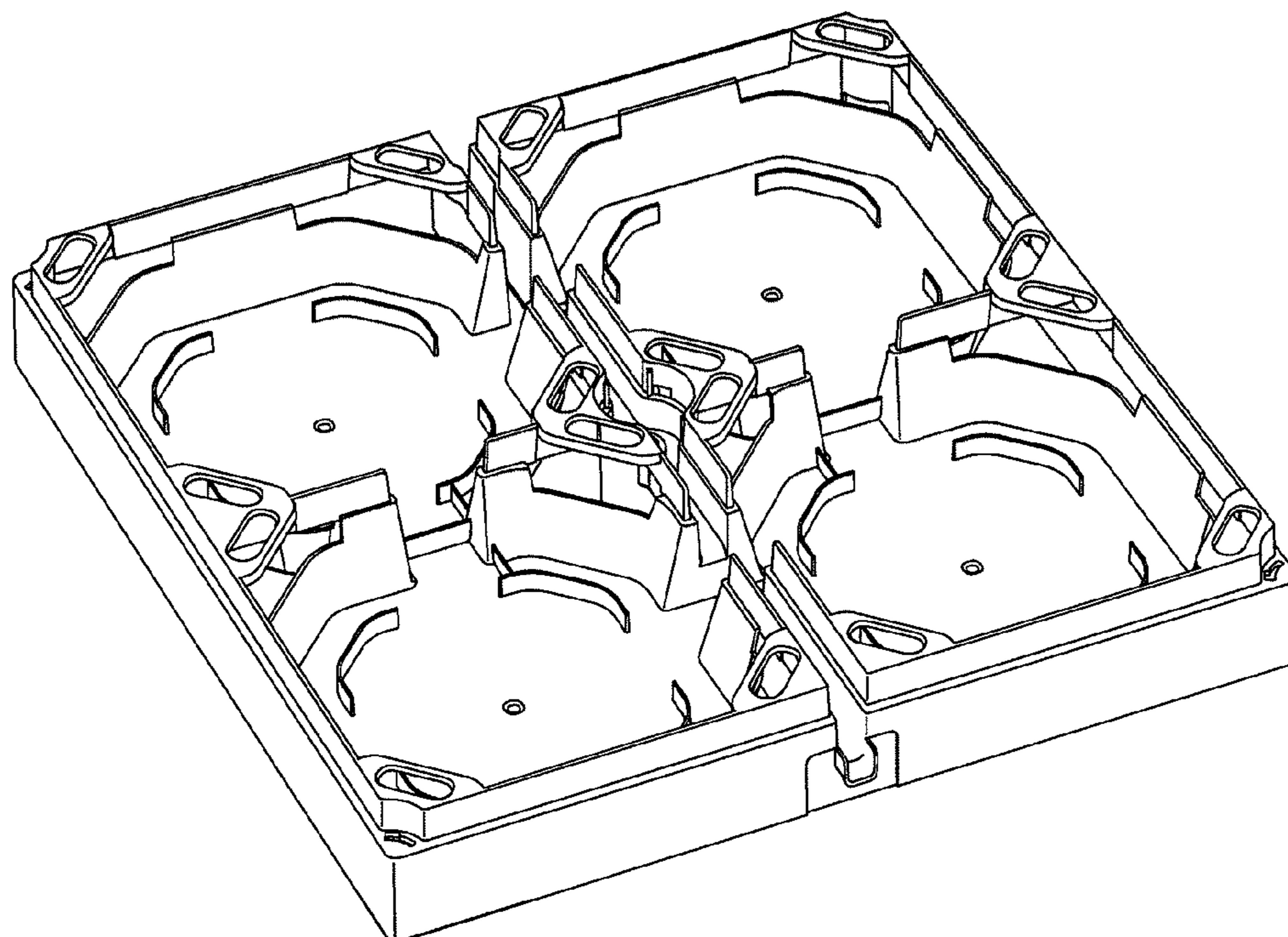
(57) **CLAIM**

The ornamental design for a plant cultivating container, as shown and described.

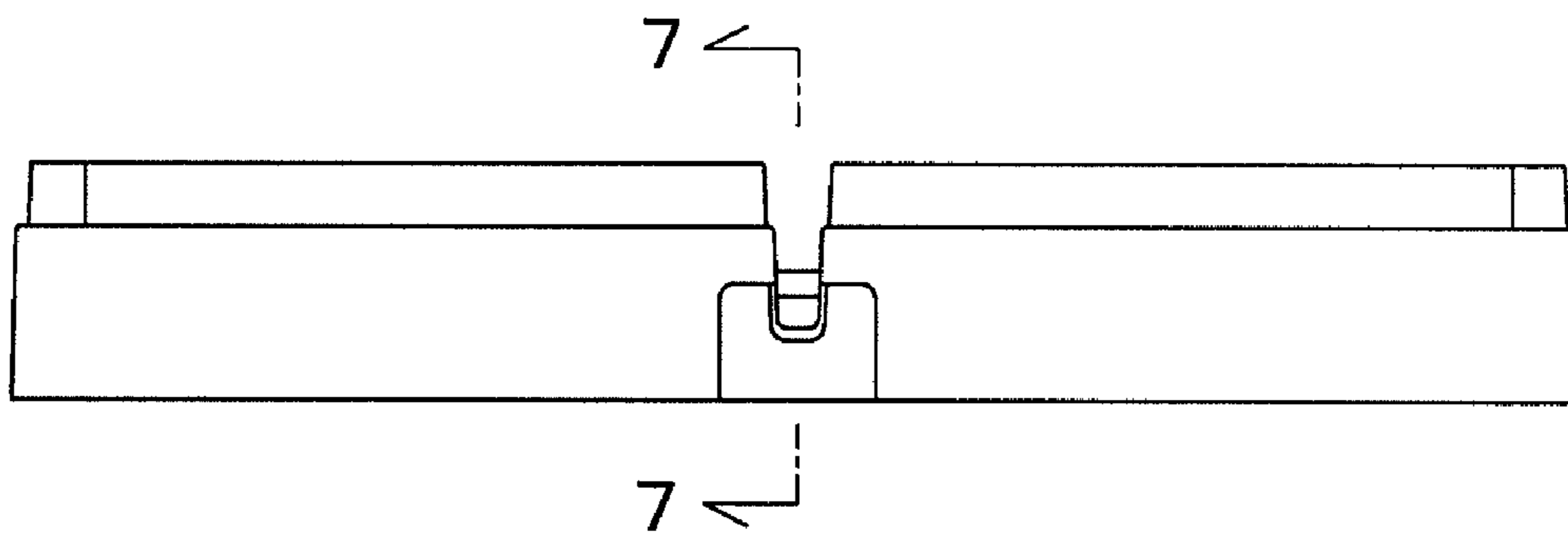
DESCRIPTION

FIG. 1 is a front elevation view of a plant cultivating container showing my new design;
FIG. 2 is a rear elevation view thereof;
FIG. 3 is a right side elevation view thereof, the left side elevation view being a mirror image thereof;
FIG. 4 is a top plan view thereof;
FIG. 5 is a bottom plan view thereof;
FIG. 6 is a perspective view thereof;
FIG. 7 is a cross-section view thereof, taken on line 7-7 of FIG. 1, shown at an enlarged scale; and,
FIG. 8 is a cross-section view thereof, showing the portion defined by line 8-8 on line 8'-8' of FIG. 4 at an enlarged scale.
The plant cultivating container is for use indoors or outdoors, for holding decorative articles such as a plant or an artificial flower.

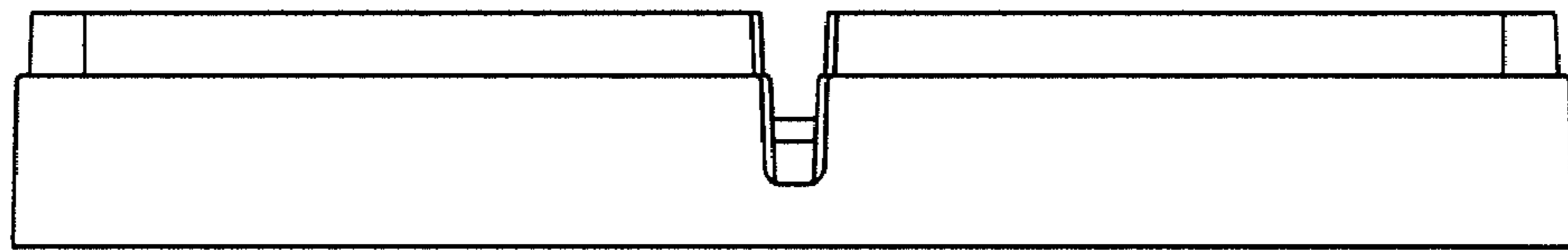
1 Claim, 8 Drawing Sheets



F i g . 1



F i g . 2



F i g . 3

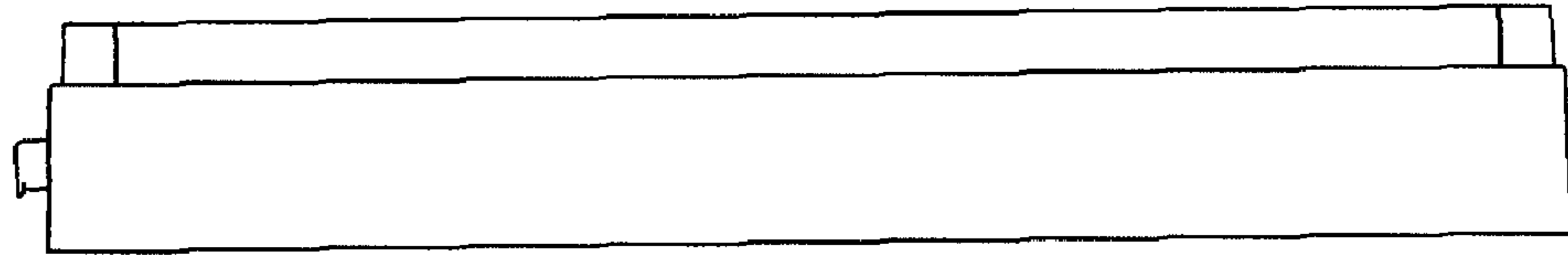


Fig. 4

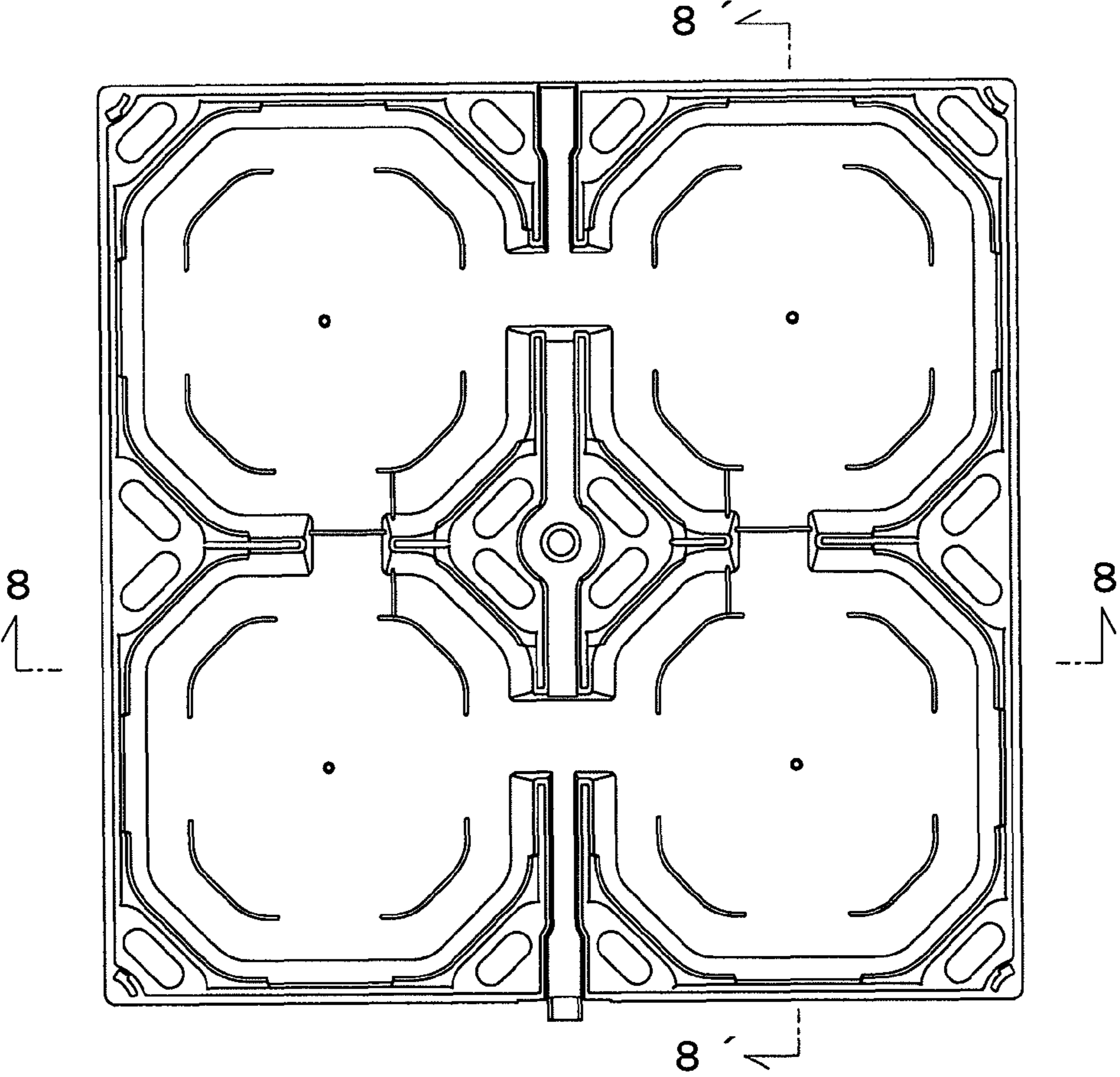
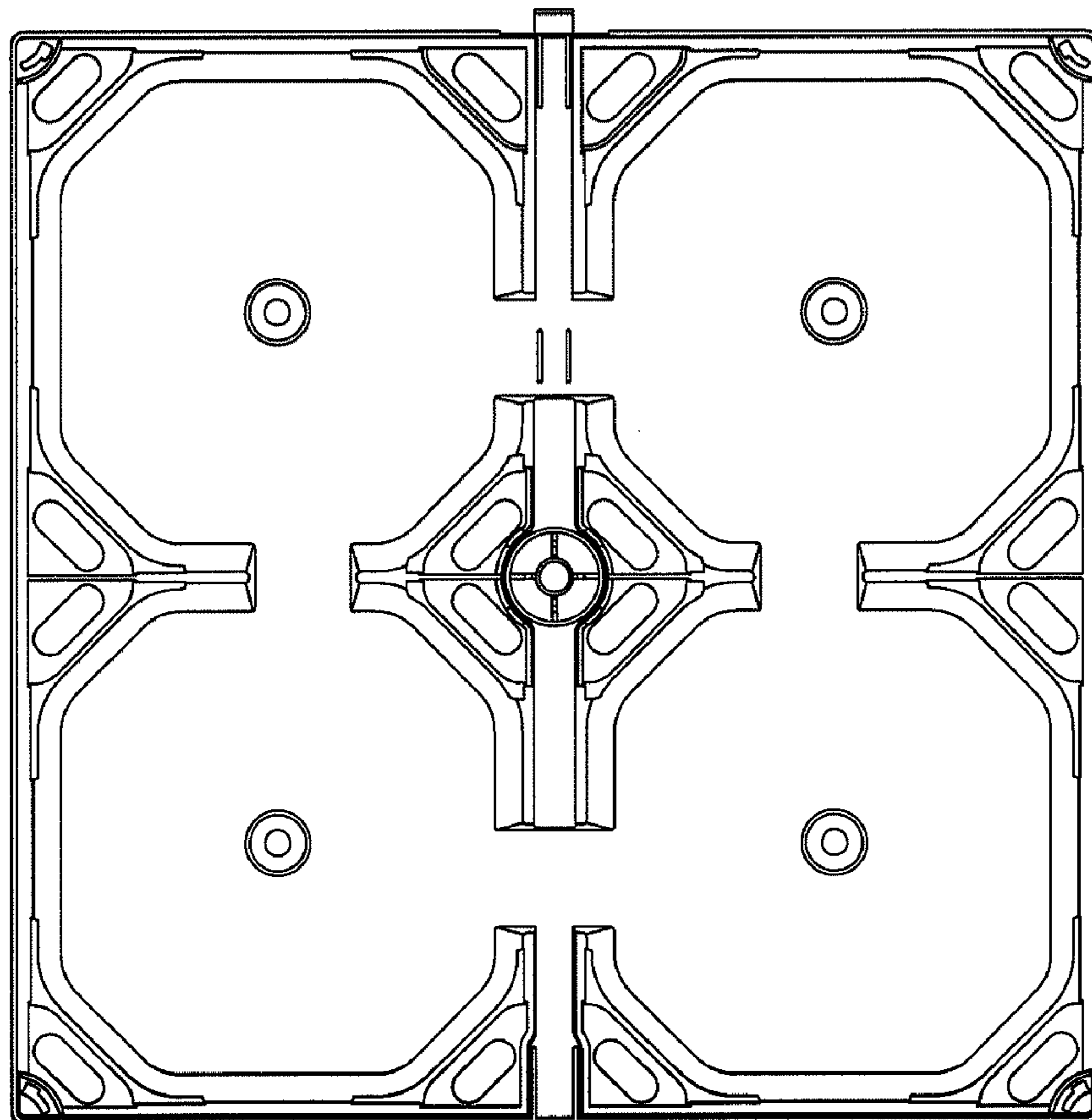
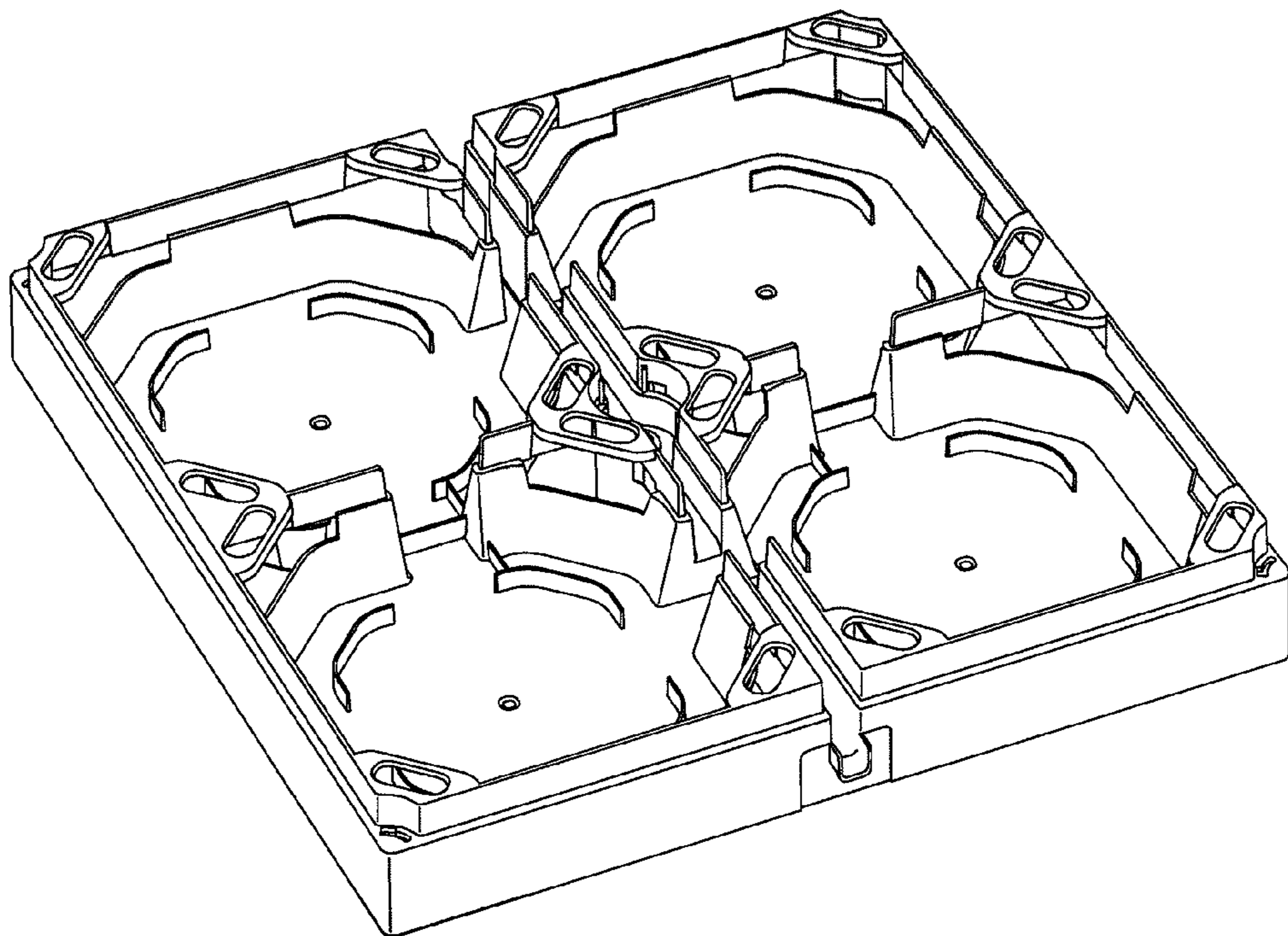


Fig. 5



F i g . 6



F i g . 7

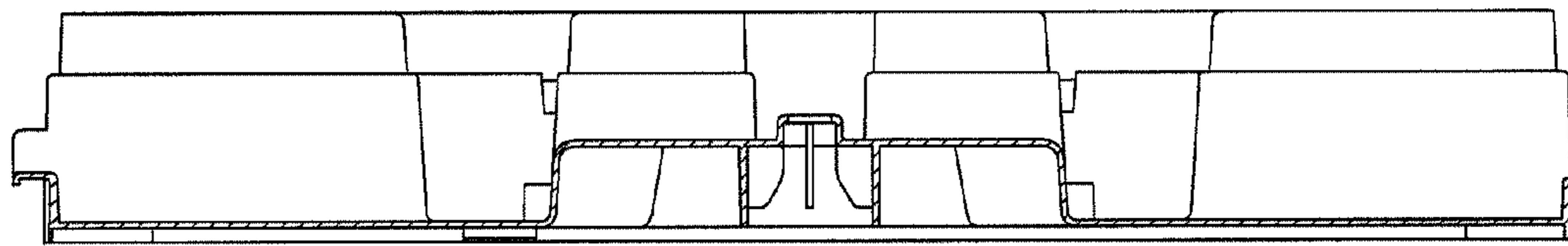


Fig. 8

