



US00D644555S

(12) **United States Design Patent**  
**Dixon et al.**

(10) **Patent No.:** **US D644,555 S**

(45) **Date of Patent:** **\*\* Sep. 6, 2011**

(54) **TRANSFER PUMP**

(76) Inventors: **Randy J. Dixon**, Billings, MT (US);  
**Bret Howell**, Spokane, WA (US)

(\*\*) Term: **14 Years**

(21) Appl. No.: **29/380,620**

(22) Filed: **Dec. 8, 2010**

(51) **LOC (9) Cl.** ..... **15-02**

(52) **U.S. Cl.** ..... **D11/90**

(58) **Field of Classification Search** ..... D15/7-9;  
D23/231, 232, 225; 417/60, 235, 265, 321,  
417/355, 358, 363, 359, 410.1, 415-416,  
417/405, 900; 60/408, 412; 184/26-37;  
415/140-147; 123/495, 509

See application file for complete search history.

(56) **References Cited**

U.S. PATENT DOCUMENTS

D269,086 S \* 5/1983 Matsumoto et al. .... D14/135  
D377,938 S \* 2/1997 Rozek ..... D15/9  
D391,270 S \* 2/1998 Chowdhury ..... D15/7

D419,161 S \* 1/2000 Broughton ..... D15/7  
D450,327 S \* 11/2001 Mori et al. .... D15/7  
D452,253 S \* 12/2001 Matthew et al. .... D15/9  
D591,311 S \* 4/2009 Tojo ..... D15/7

\* cited by examiner

*Primary Examiner* — Ralf Seifert

(74) *Attorney, Agent, or Firm* — Sheridan Ross P.C.

(57) **CLAIM**

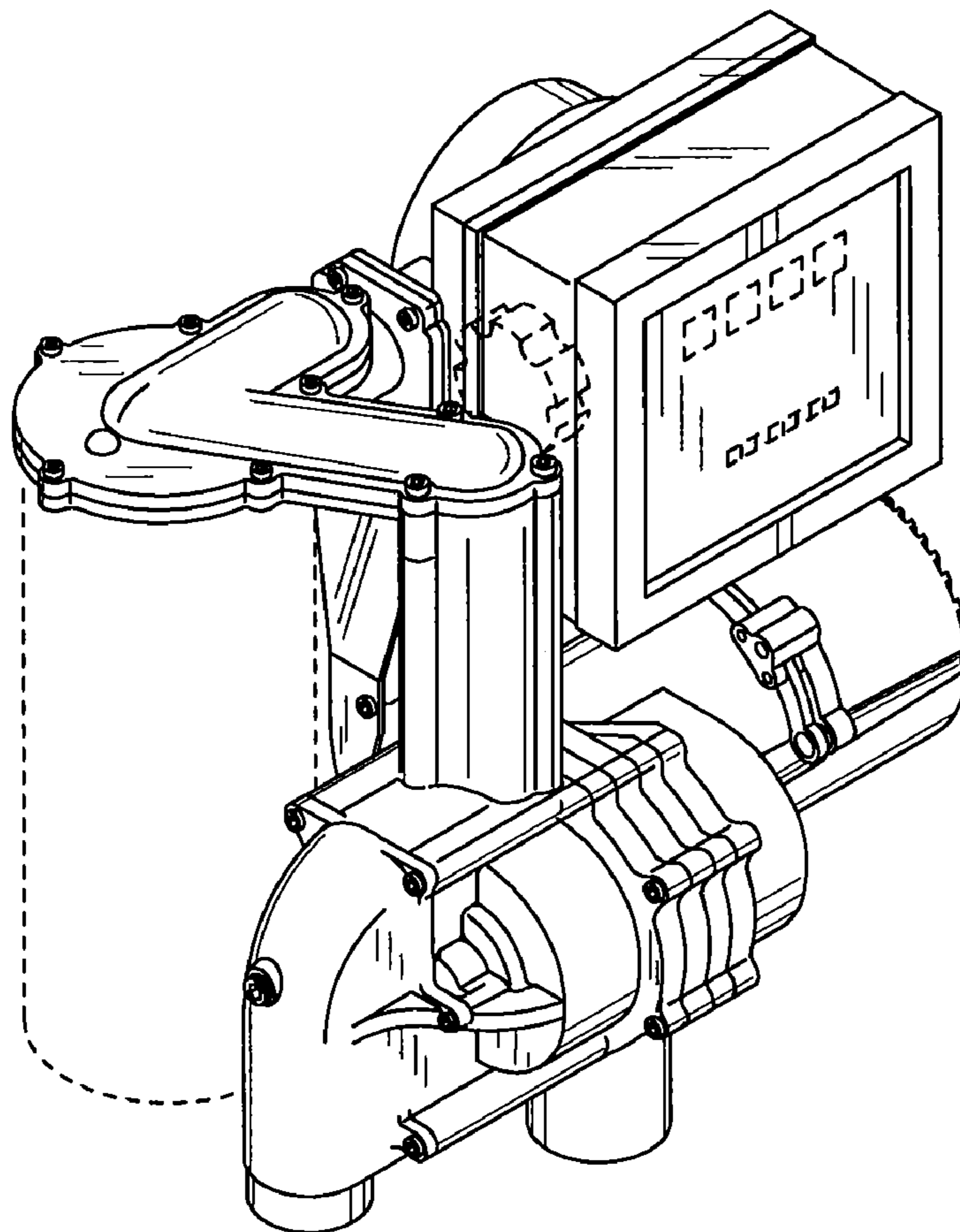
The ornamental design for a transfer pump, as shown and described.

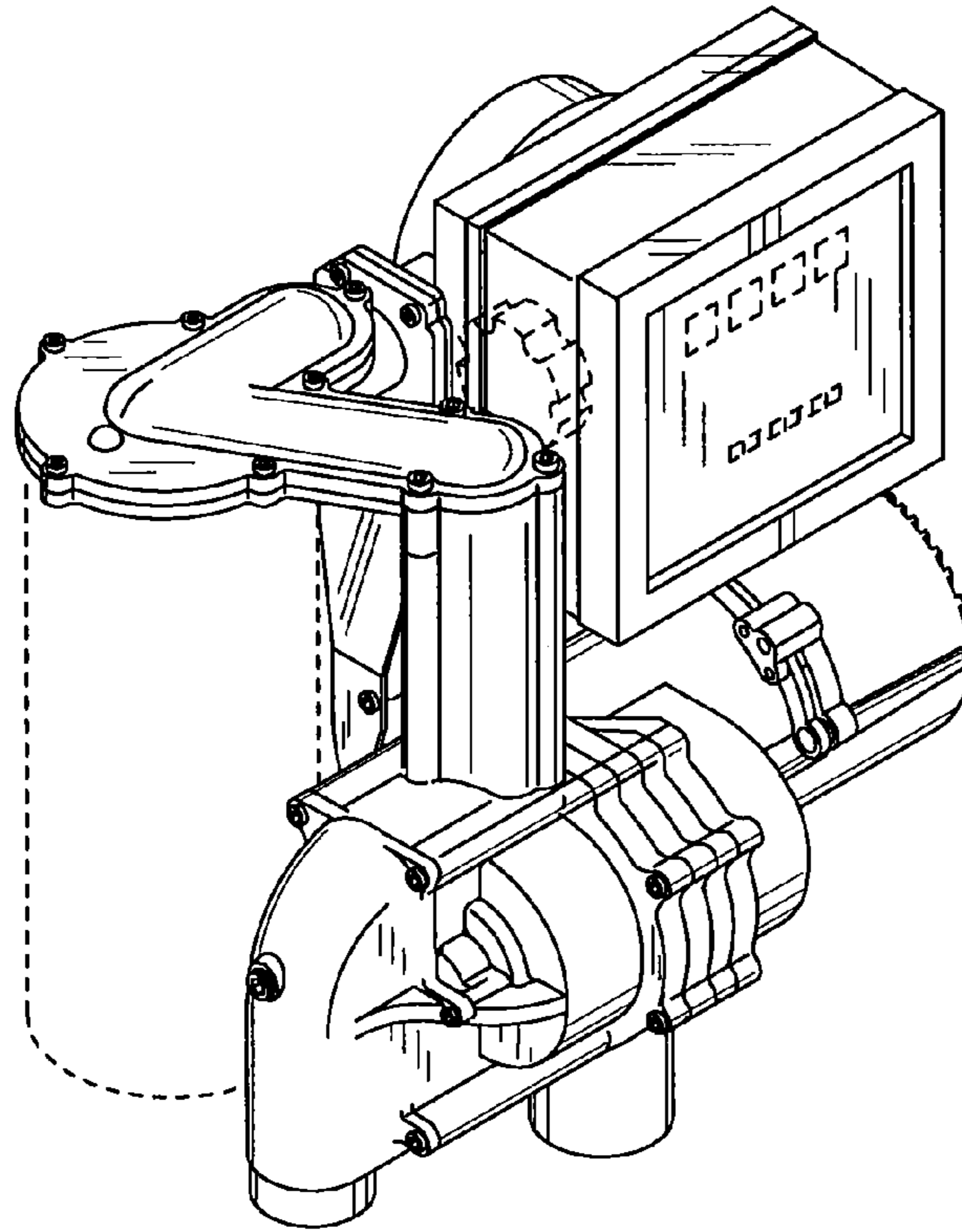
**DESCRIPTION**

FIG. 1 is a front perspective view of the transfer pump;  
FIG. 2 is a front elevation view thereof;  
FIG. 3 is a top plan view thereof;  
FIG. 4 is a rear elevation view thereof;  
FIG. 5 is a right elevation view thereof;  
FIG. 6 is a left elevation view thereof; and,  
FIG. 7 is a bottom plan view thereof.

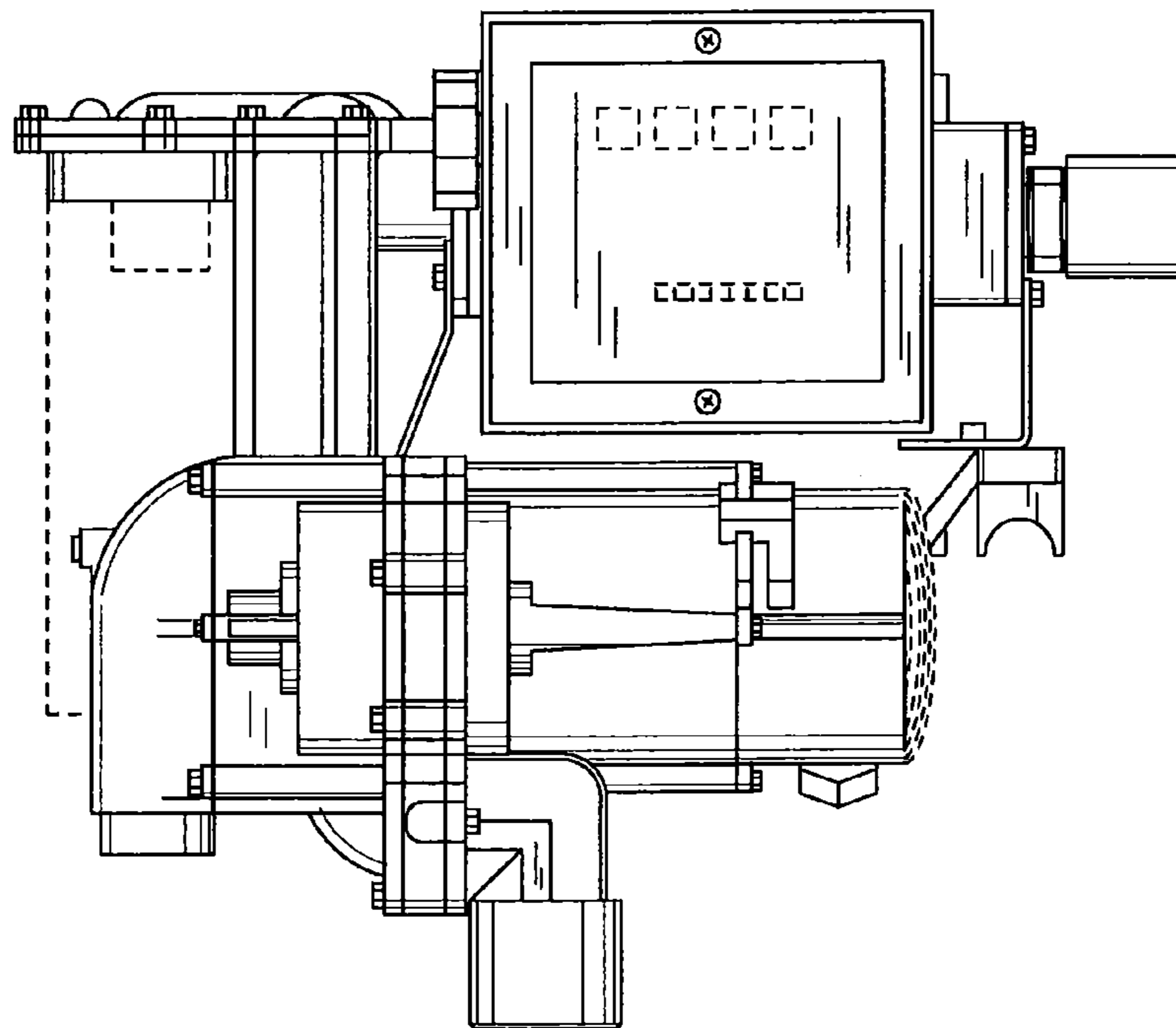
The broken lines showing environment are for illustrative purposes only and form no part of the claimed design.

**1 Claim, 3 Drawing Sheets**



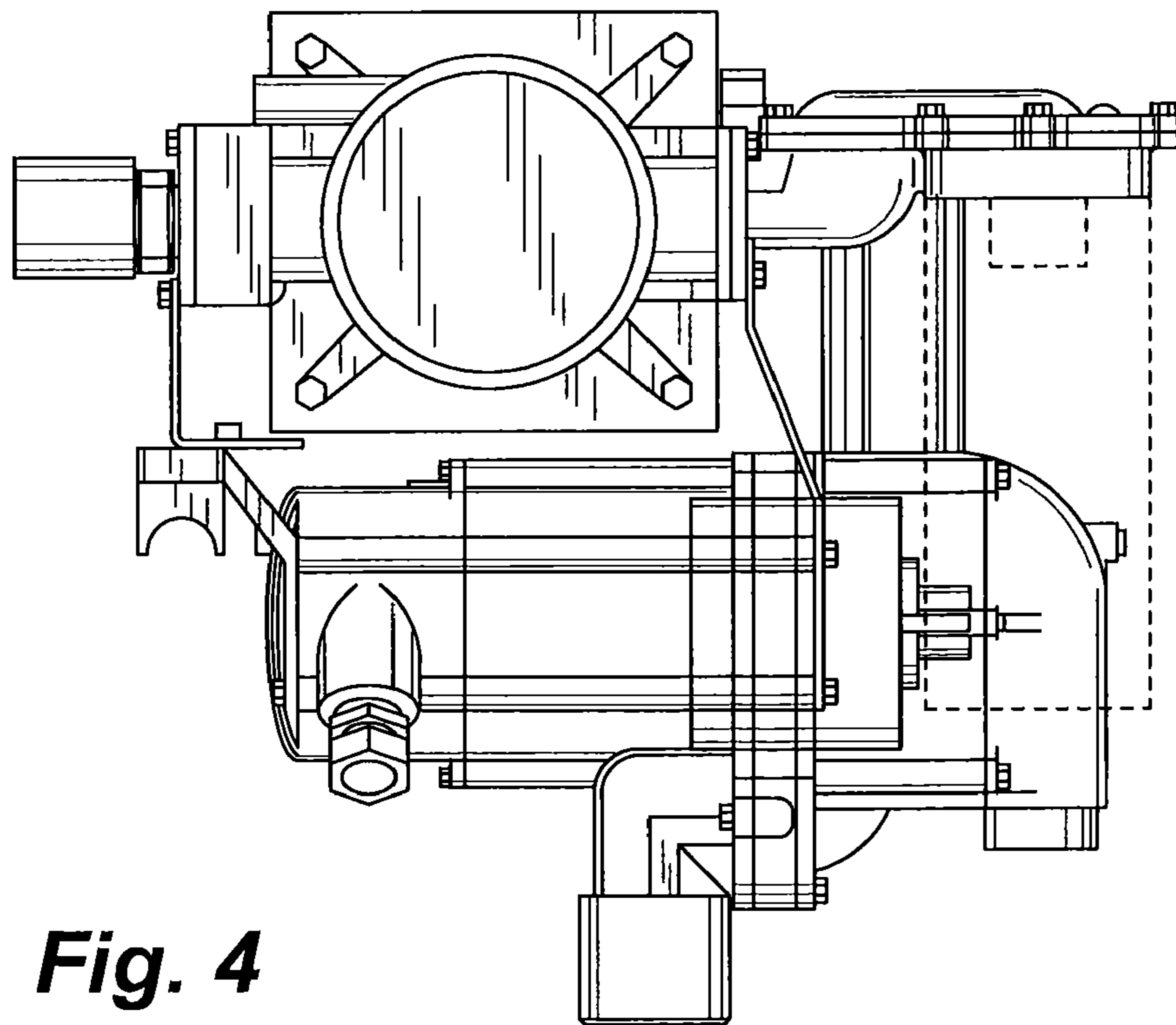
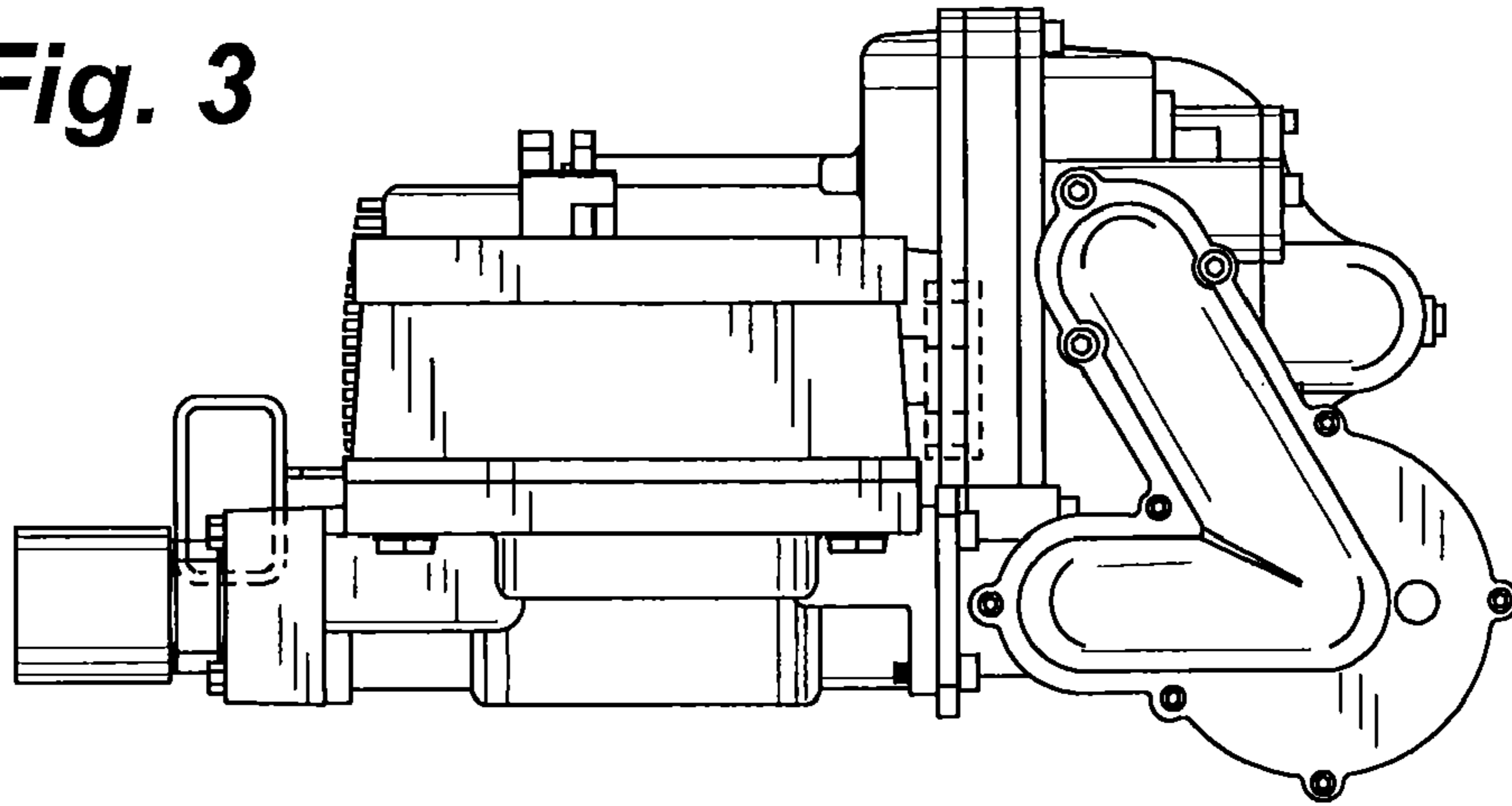


**Fig. 1**

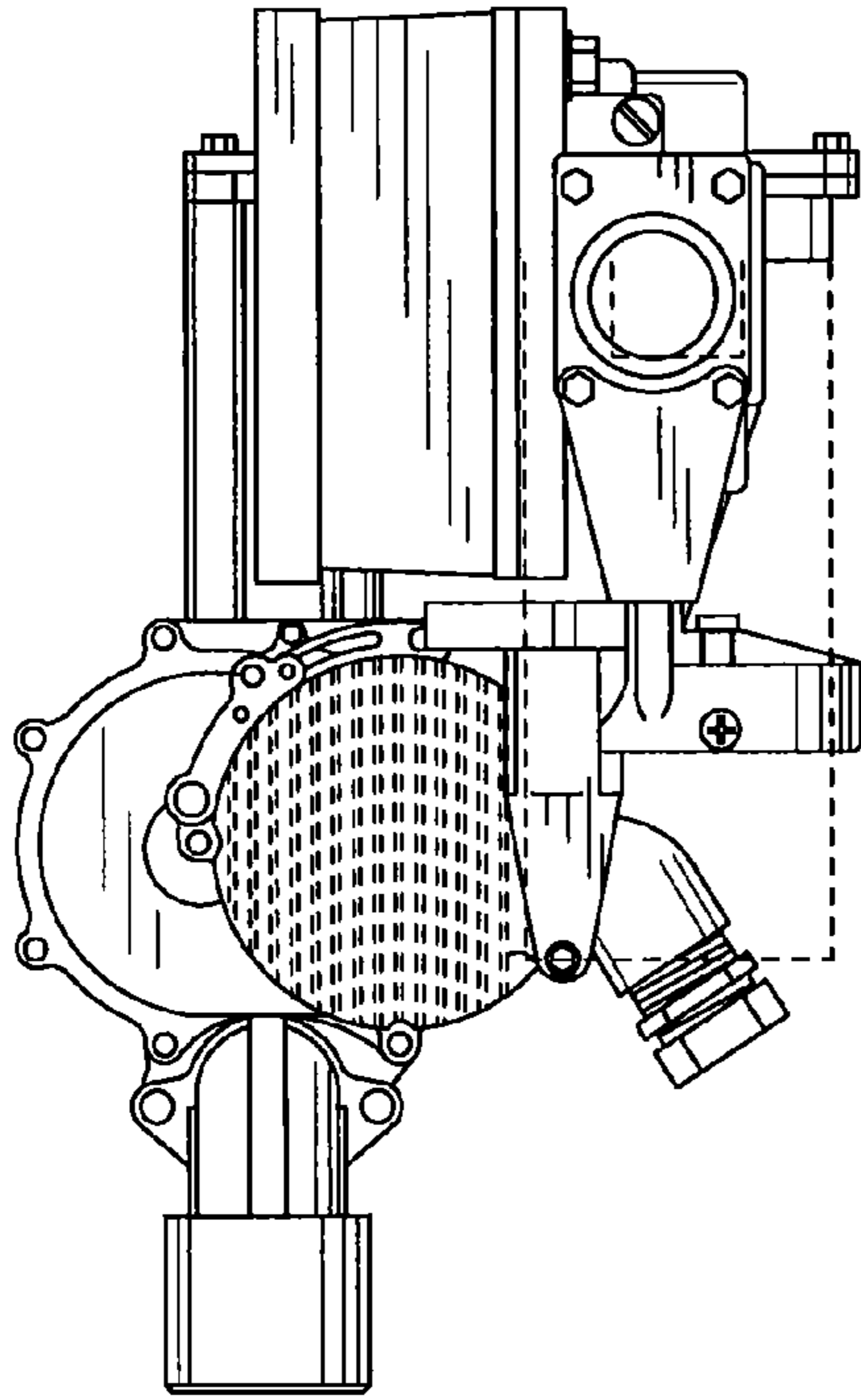


**Fig. 2**

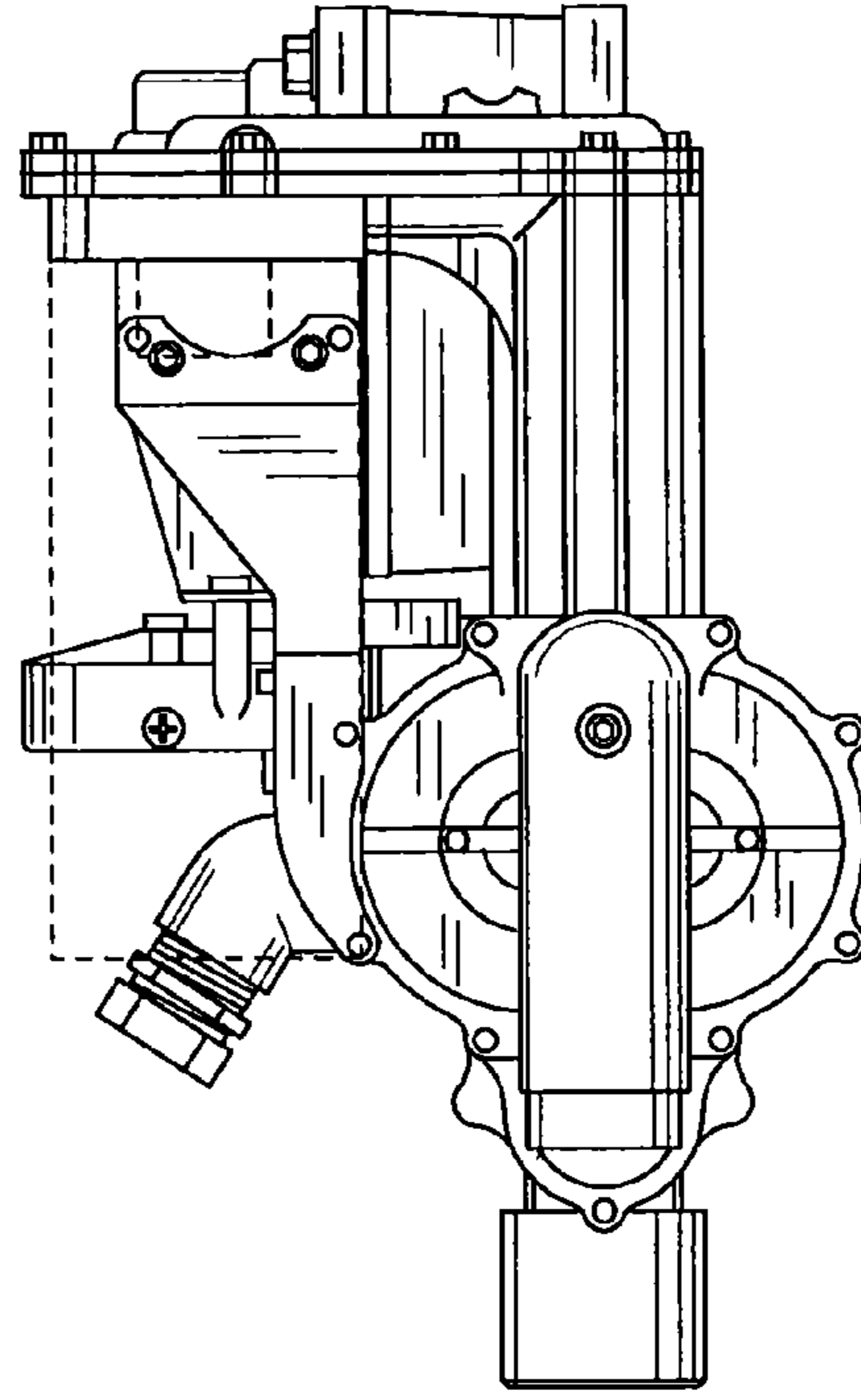
**Fig. 3**



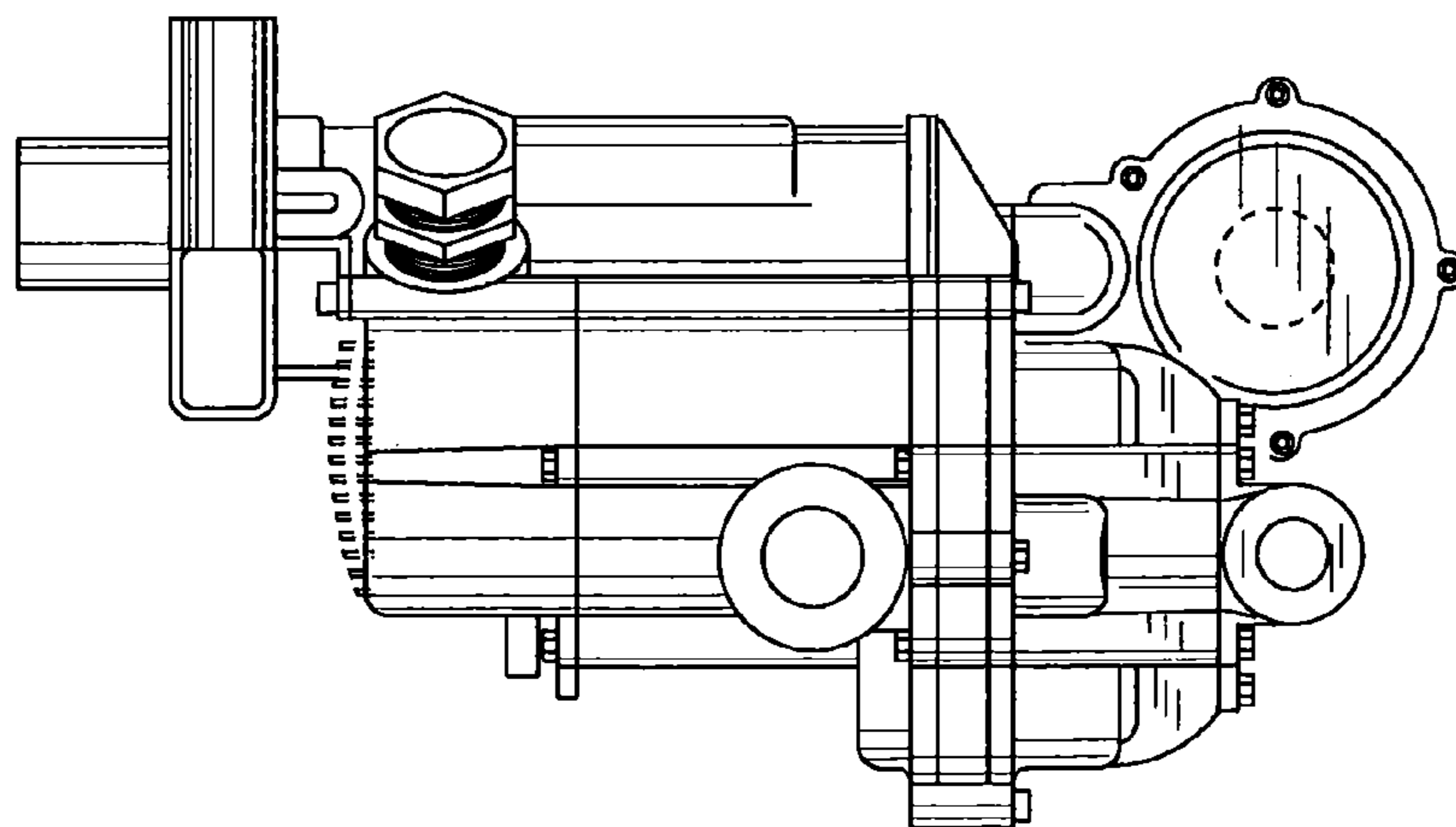
**Fig. 4**



**Fig. 5**



**Fig. 6**



**Fig. 7**