



(12) **United States Design Patent**
Spencer et al.

(10) **Patent No.:** **US D644,550 S**
(45) **Date of Patent:** **** Sep. 6, 2011**

(54) **SOUND MAKER FOR USE ON A BICYCLE**

(76) Inventors: **Troy Spencer**, Charlotte, NC (US);
Howard C. McClurd, Haddonfield, NJ (US)

(**) Term: **14 Years**

(21) Appl. No.: **29/385,979**

(22) Filed: **Feb. 23, 2011**

(51) **LOC (9) Cl.** **10-05**

(52) **U.S. Cl.** **D10/116.1**

(58) **Field of Classification Search** D10/116.1;
D8/395; 24/30.5 R, 67 R; 280/288.4; 446/404
See application file for complete search history.

(56) **References Cited**

U.S. PATENT DOCUMENTS

4,506,416	A *	3/1985	Ohminato et al.	24/67 R
5,226,846	A *	7/1993	Onori	446/404
5,305,500	A *	4/1994	Tucker	24/30.5 R
5,611,558	A *	3/1997	Randmae	280/288.4
6,039,338	A *	3/2000	Perea et al.	280/288.4
6,234,864	B1 *	5/2001	Onori	446/404
D447,048	S *	8/2001	Beloff	D8/395

OTHER PUBLICATIONS

Spokester Bicycle Noisemaker, www.spokester.com.*

* cited by examiner

Primary Examiner — Caron D Veynar

Assistant Examiner — George D Kirschbaum

(74) *Attorney, Agent, or Firm* — Ashley Law Firm P.C.;
Stephen S. Ashley, Jr.

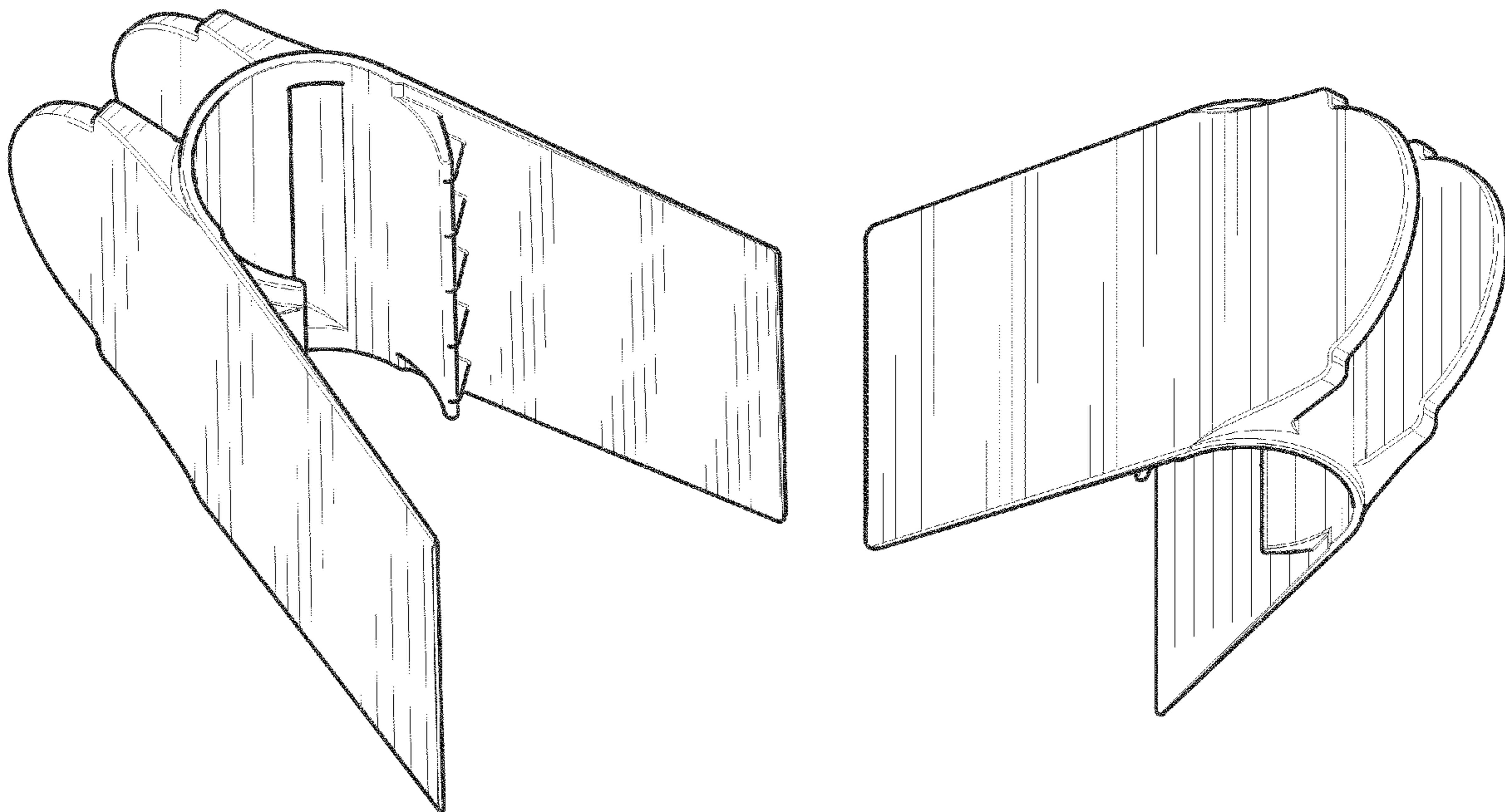
(57) **CLAIM**

I claim the ornamental design for a sound maker for use on a bicycle, as shown and described.

DESCRIPTION

FIG. 1 is a perspective view of the sound maker for use on a bicycle showing my new invention;
FIG. 2 is another perspective view thereof;
FIG. 3 is another perspective view thereof;
FIG. 4 is another perspective view thereof;
FIG. 5 is a front elevation thereof, and the rear elevation is identical;
FIG. 6 is a left side elevation thereof, and the right side elevation is identical;
FIG. 7 is a cross sectional view thereof along line 7-7 in FIG. 6;
FIG. 8 is a bottom plan view thereof; and,
FIG. 9 is a top plan view thereof.

1 Claim, 4 Drawing Sheets



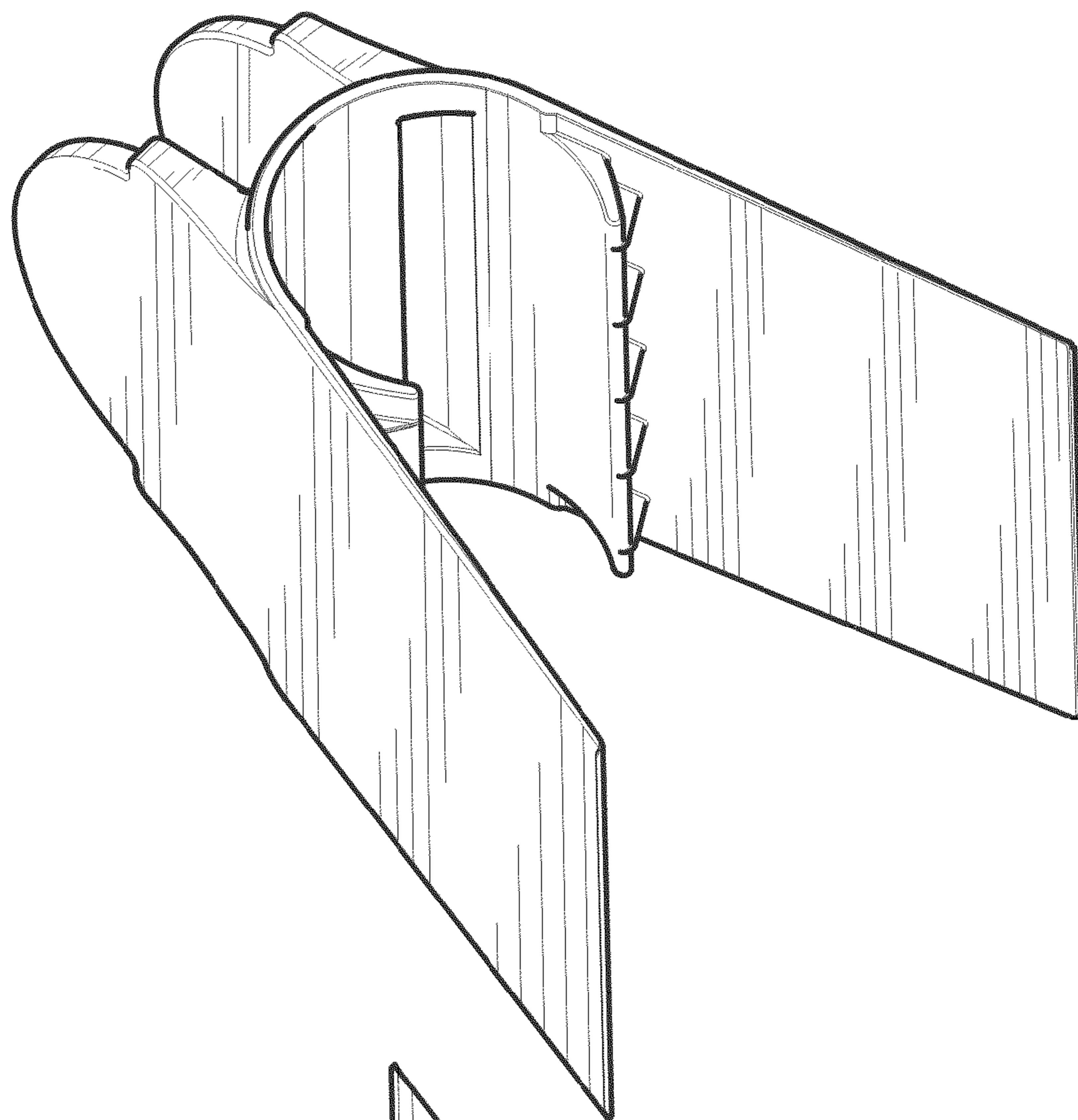


Fig. 1

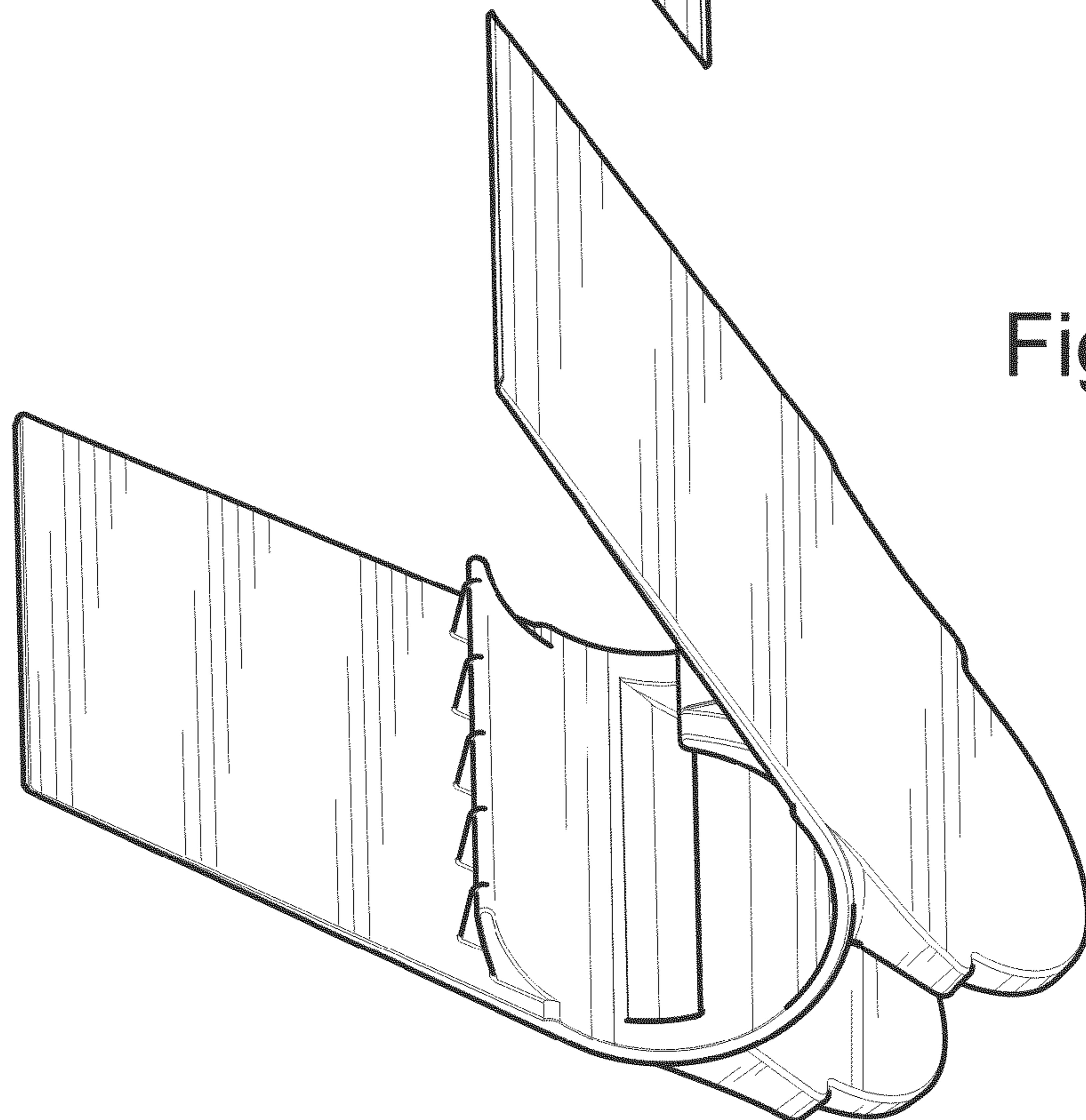


Fig. 2

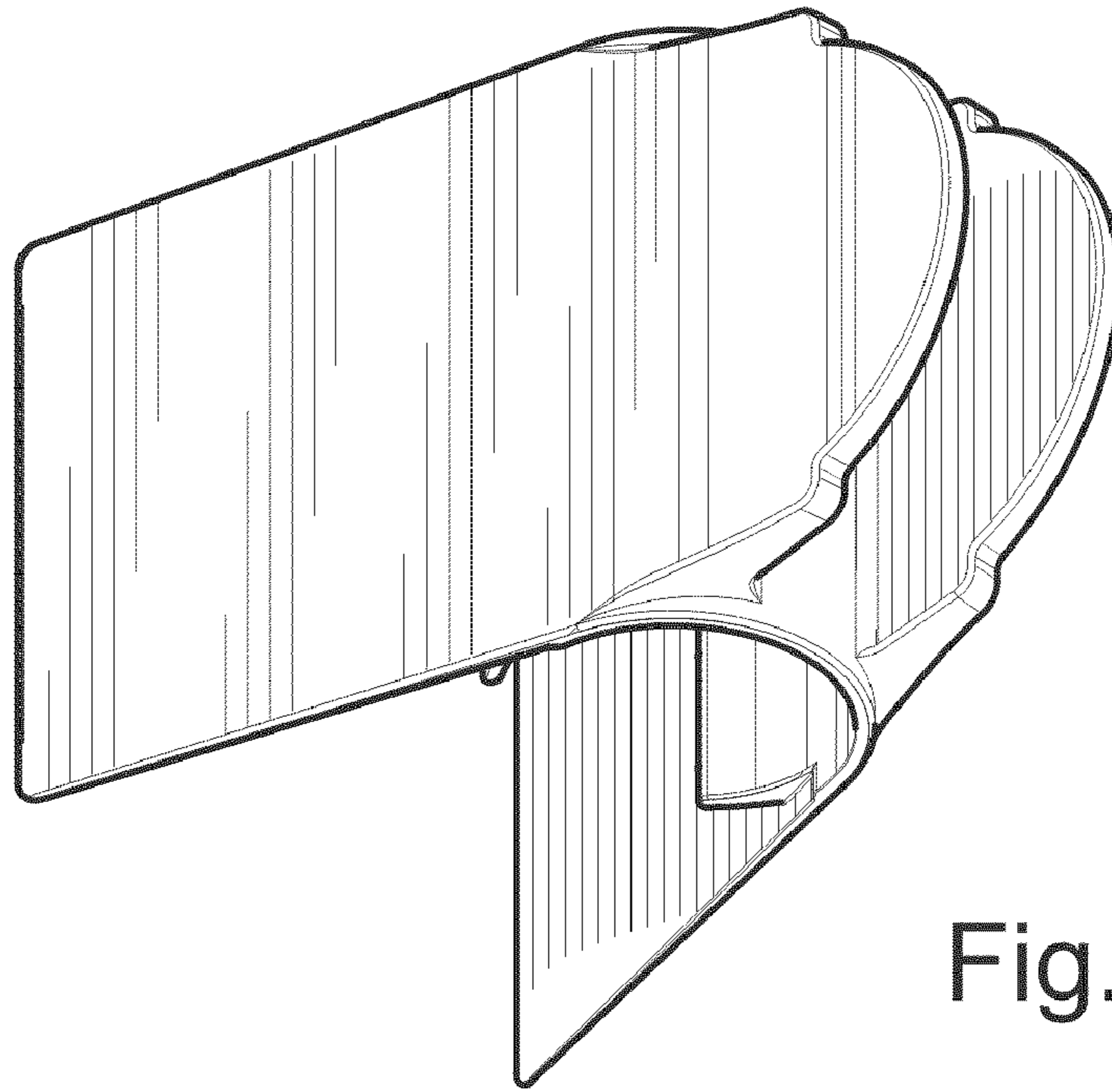


Fig. 3

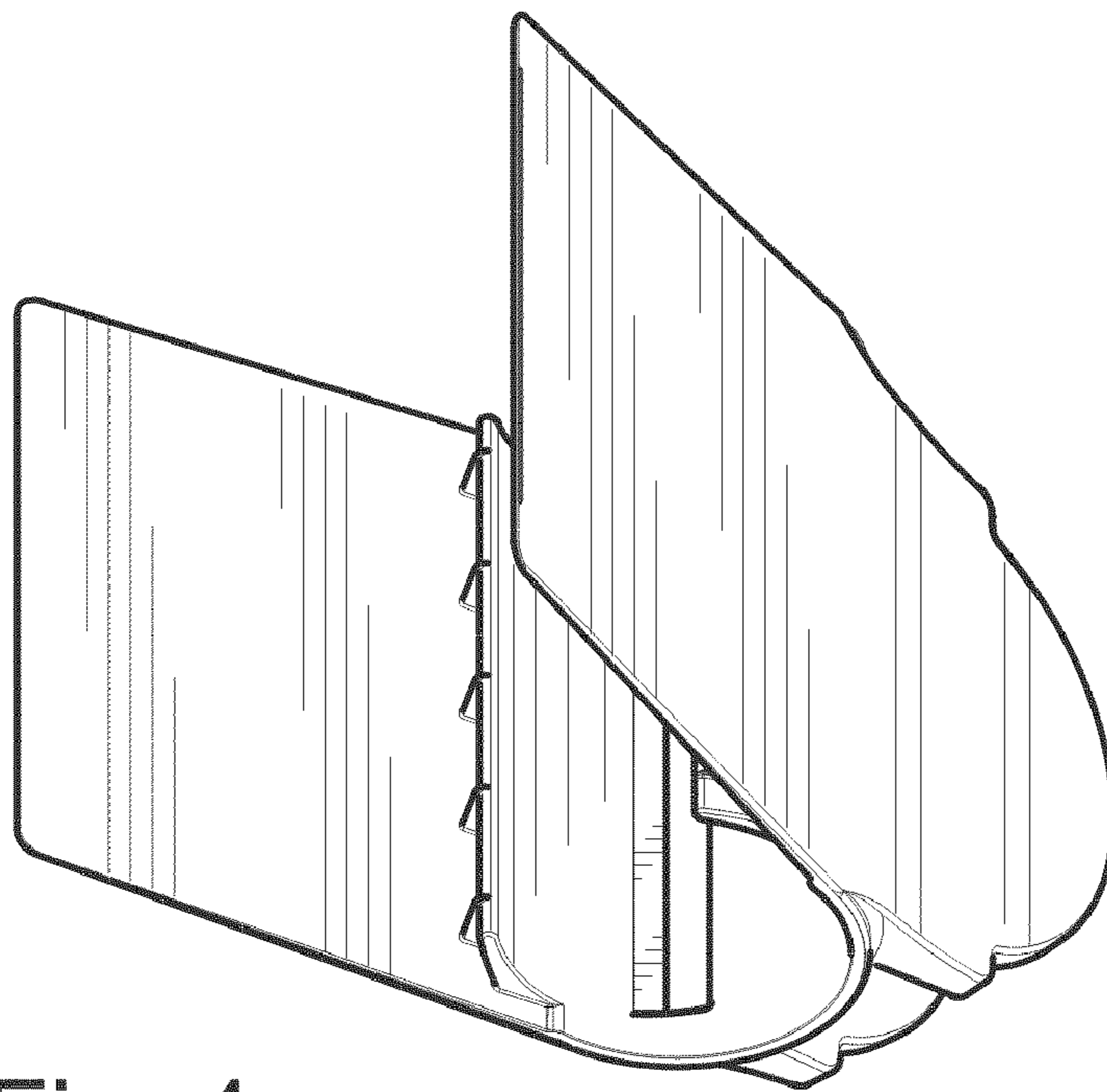
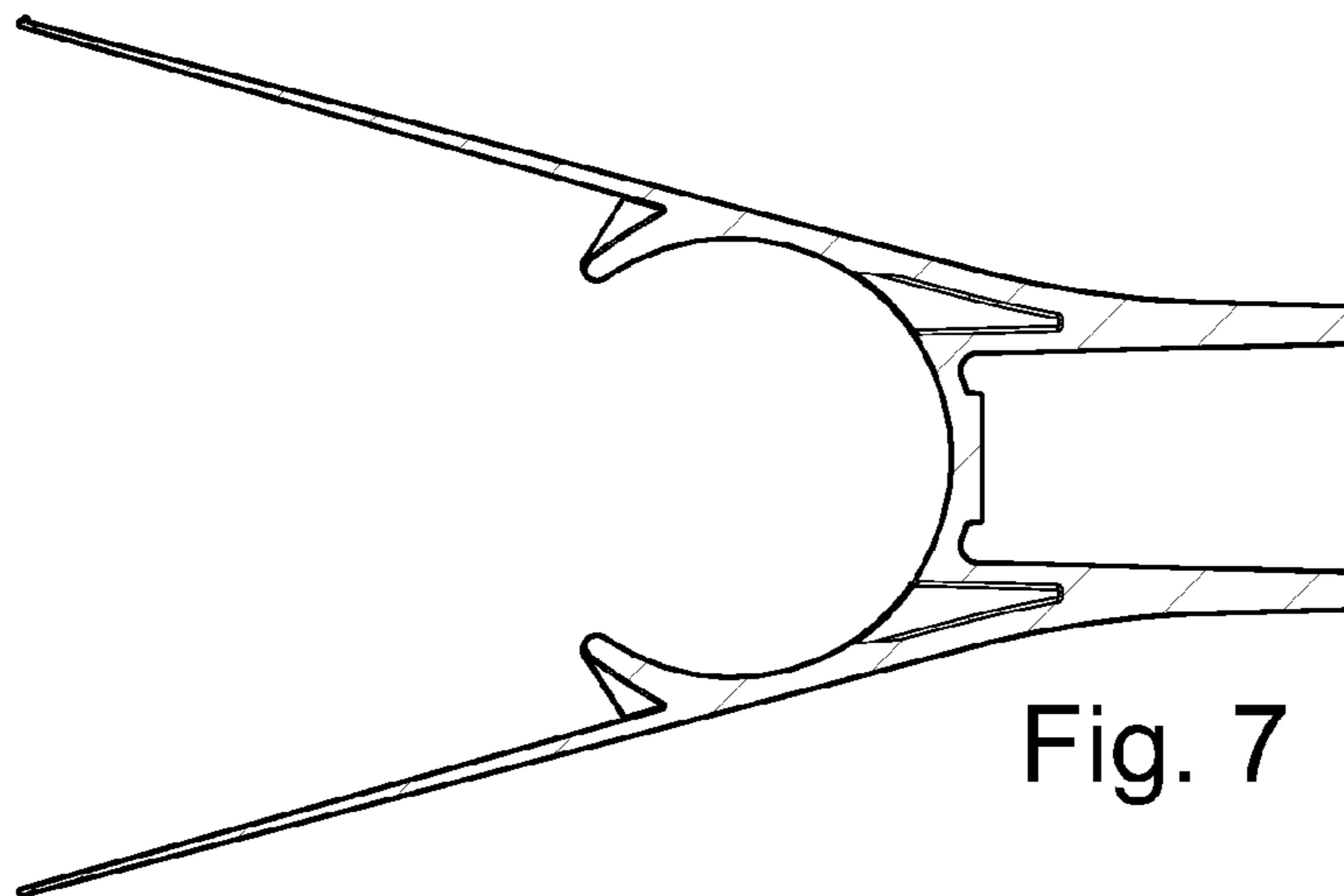
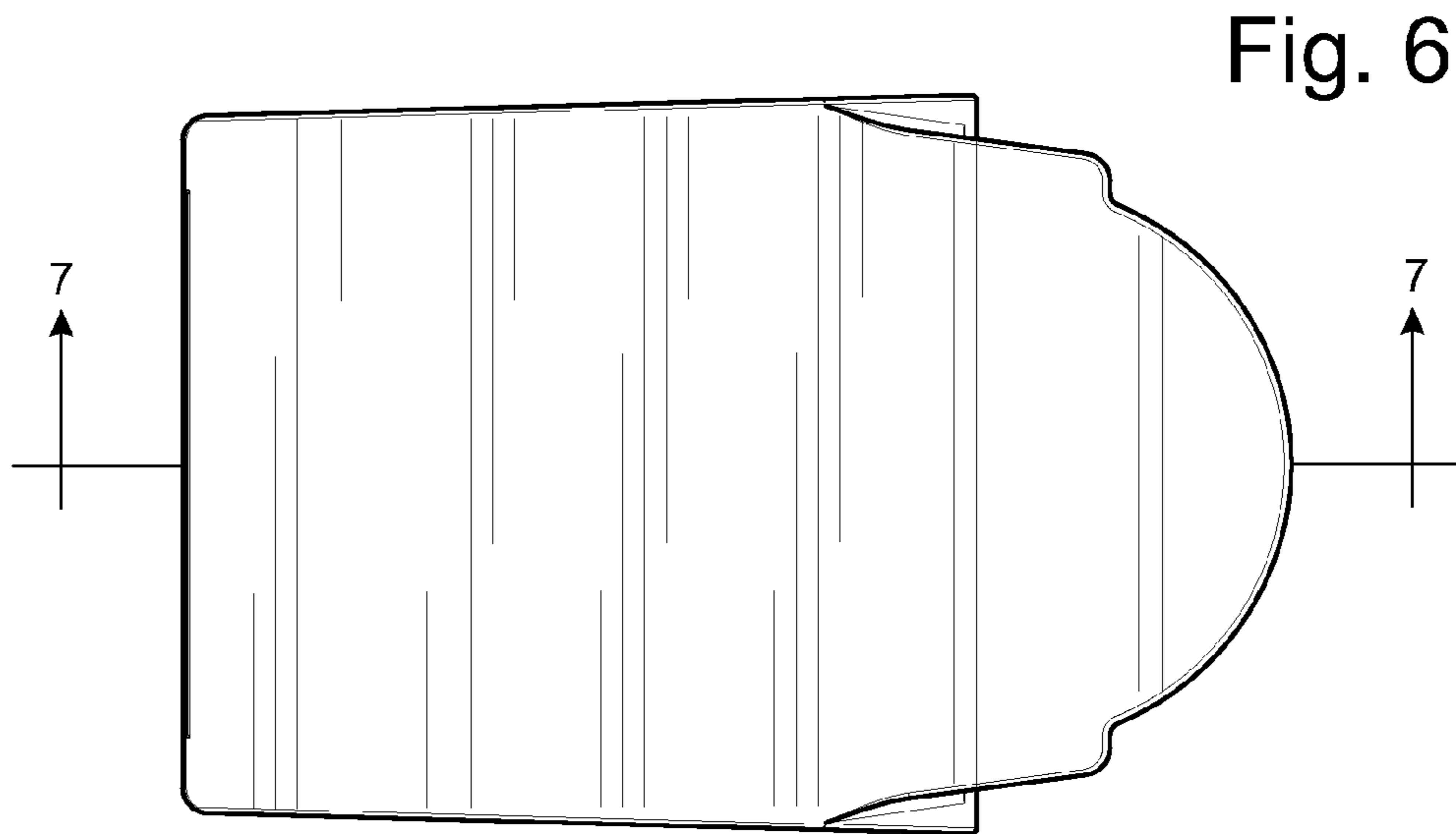
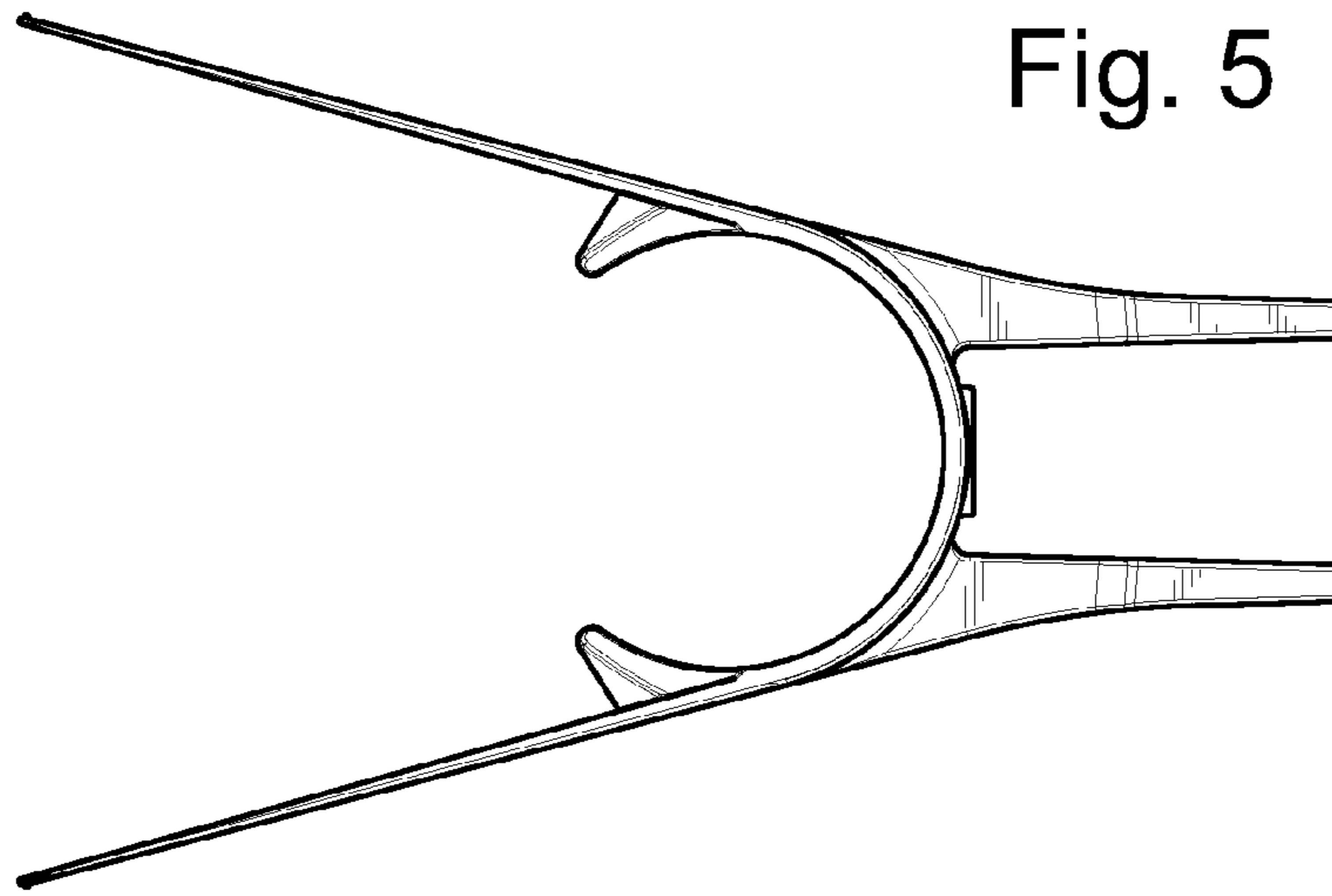


Fig. 4



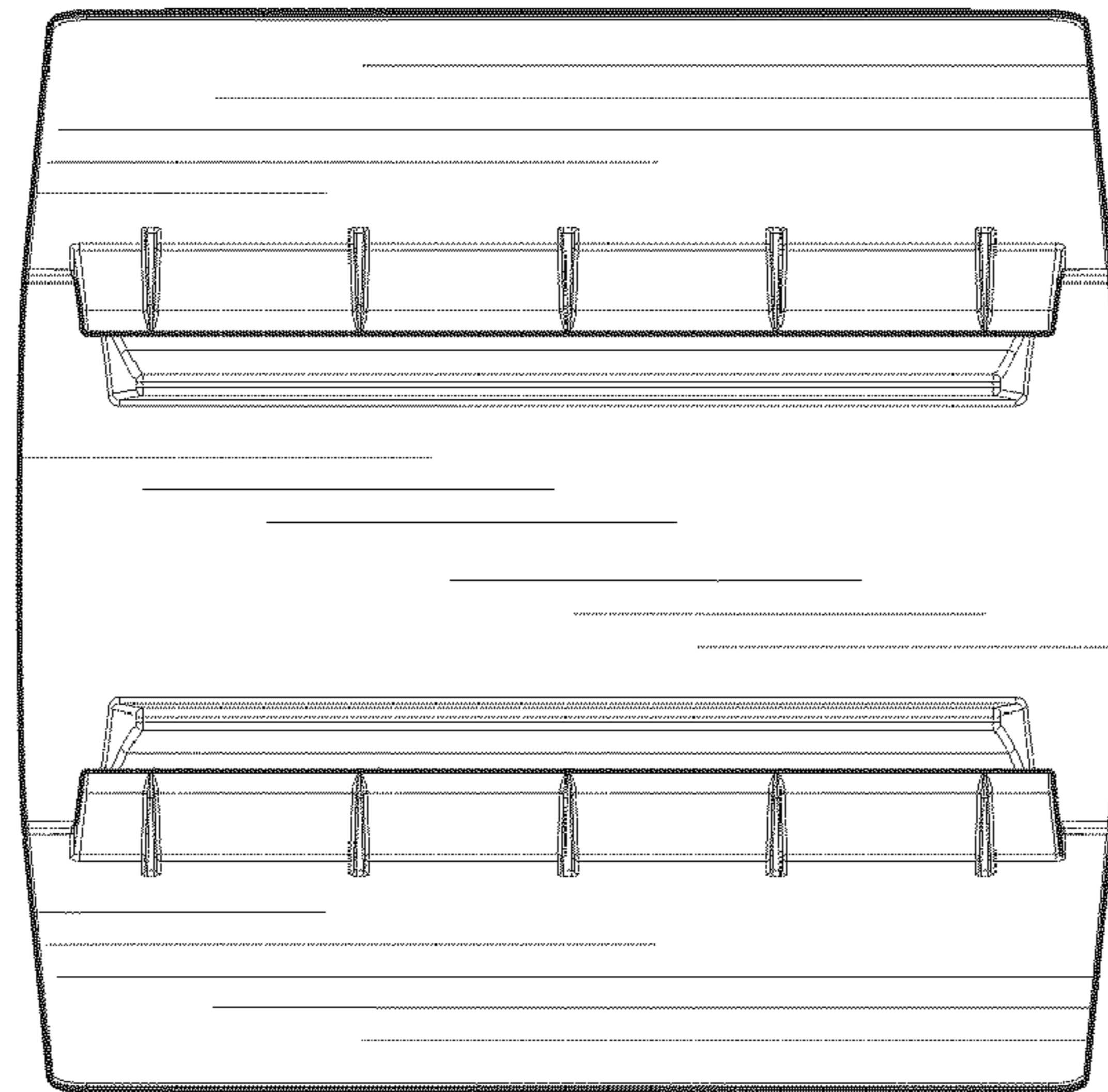


Fig. 8

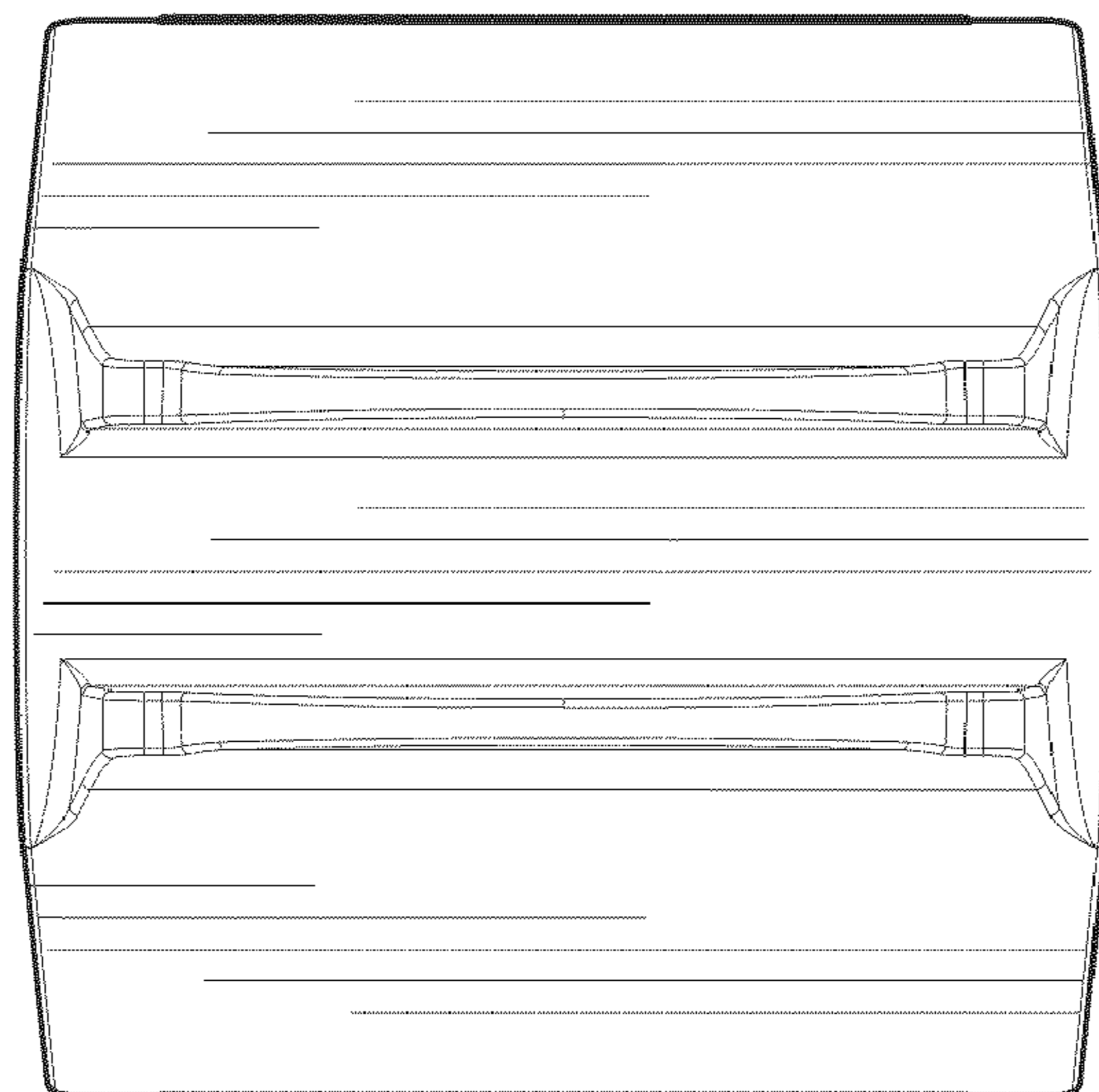


Fig. 9