



US00D644548S

(12) **United States Design Patent**
Okamoto et al.

(10) **Patent No.:** **US D644,548 S**

(45) **Date of Patent:** **** Sep. 6, 2011**

(54) **HUMAN BODY DETECTOR LENS**

D455,405 S * 4/2002 Bonn D13/158
D540,266 S * 4/2007 Mayo et al. D13/162

(75) Inventors: **Masato Okamoto**, Otsu (JP); **Osamu Imanishi**, Otsu (JP); **Kiyofumi Fukuda**, Otsu (JP); **Yoshikazu Takashima**, Otsu (JP)

* cited by examiner

Primary Examiner — Caron D Veynar

Assistant Examiner — George D Kirschbaum

(73) Assignee: **Optex Co., Ltd.**, Shiga (JP)

(74) *Attorney, Agent, or Firm* — Sughrue Mion, PLLC

(**) Term: **14 Years**

(57) **CLAIM**

The ornamental design for a human body detector lens, as shown and described.

(21) Appl. No.: **29/360,004**

DESCRIPTION

(22) Filed: **Apr. 19, 2010**

(30) **Foreign Application Priority Data**

Oct. 22, 2009 (JP) 2009-024731

(51) **LOC (9) Cl.** **10-05**

(52) **U.S. Cl.** **D10/106.6**

(58) **Field of Classification Search** D10/104,
D10/106; D13/162, 169, 171, 174, 158,
D13/159; 250/353, 239; 340/501

See application file for complete search history.

FIG. 1 is a front elevational view of a human body detector lens showing our new design;

FIG. 2 is a left side elevational view thereof, the right side view being a mirror image of that shown;

FIG. 3 is a top plan view thereof;

FIG. 4 is a bottom plan view thereof;

FIG. 5 is a cross sectional view taken along line 5-5 in FIG. 1;

FIG. 6 is a front right perspective view thereof; and,

FIG. 7 is a reference perspective view of the human body detector lens shown in position of use.

The dash-dot-dash lines shown in FIGS. 1-2 and 5-7 represent the boundary of the claimed design. The dashed broken lines shown in all figures indicate environmental subject matter and forms no part of the claimed design.

(56) **References Cited**

U.S. PATENT DOCUMENTS

D354,944 S * 1/1995 Diak et al. D13/158

1 Claim, 6 Drawing Sheets

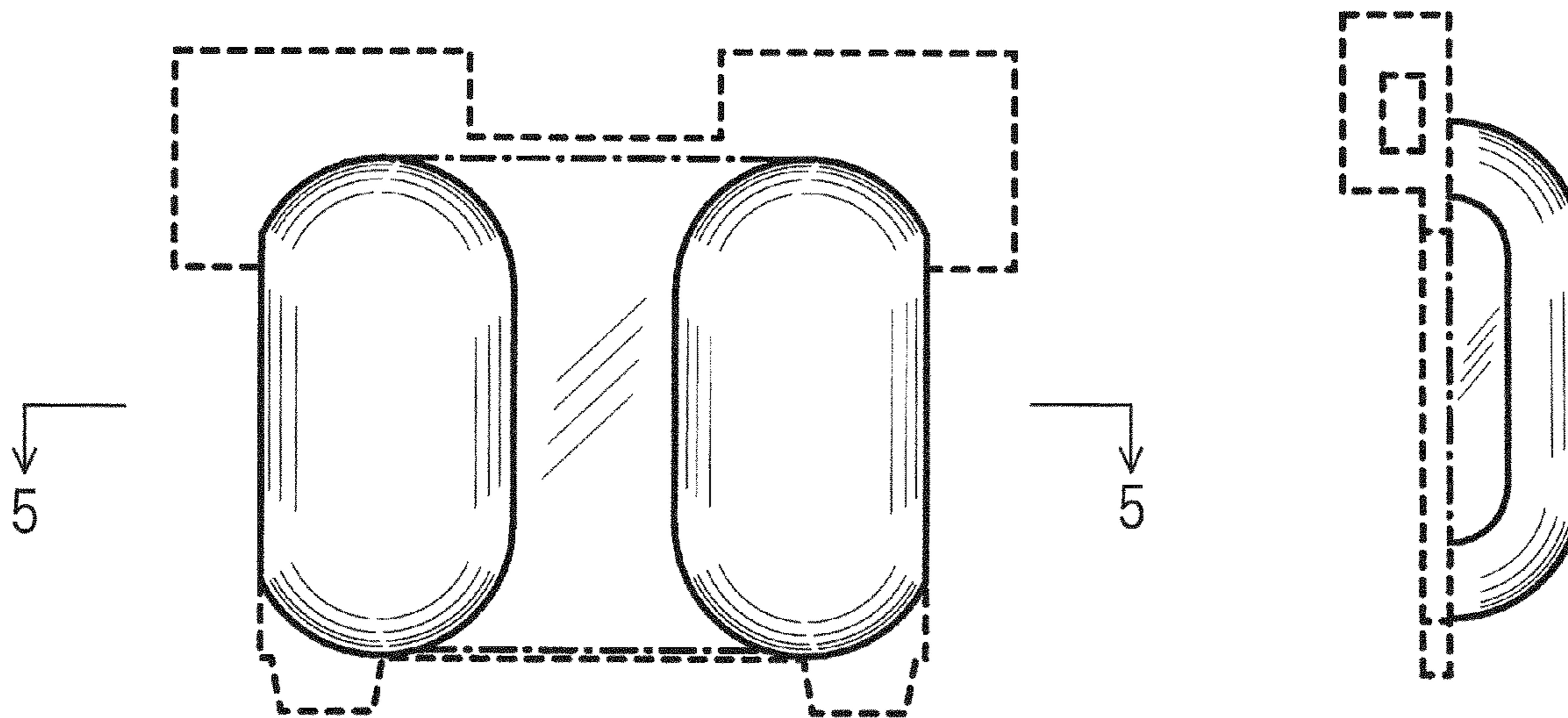


Fig. 1

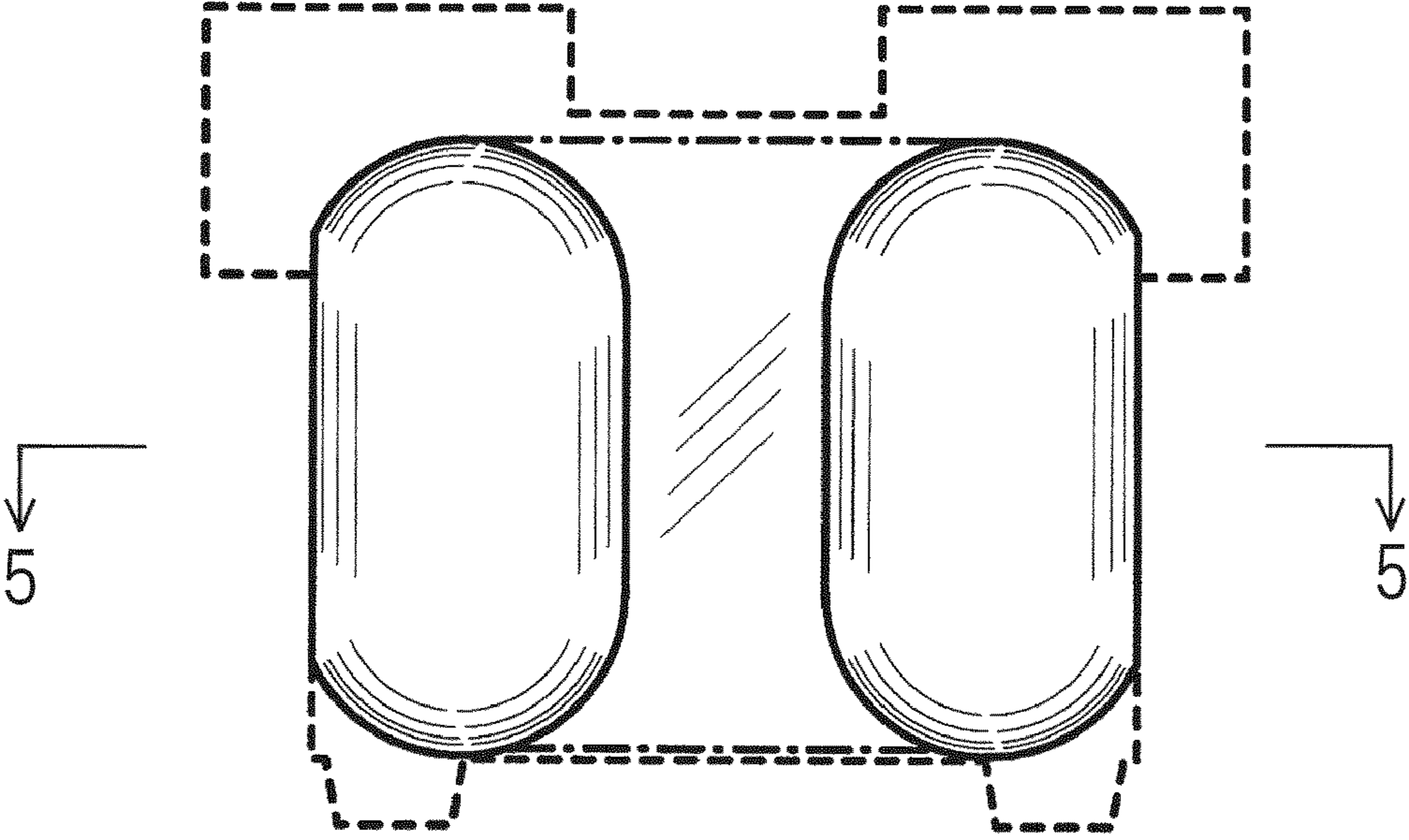


Fig. 2

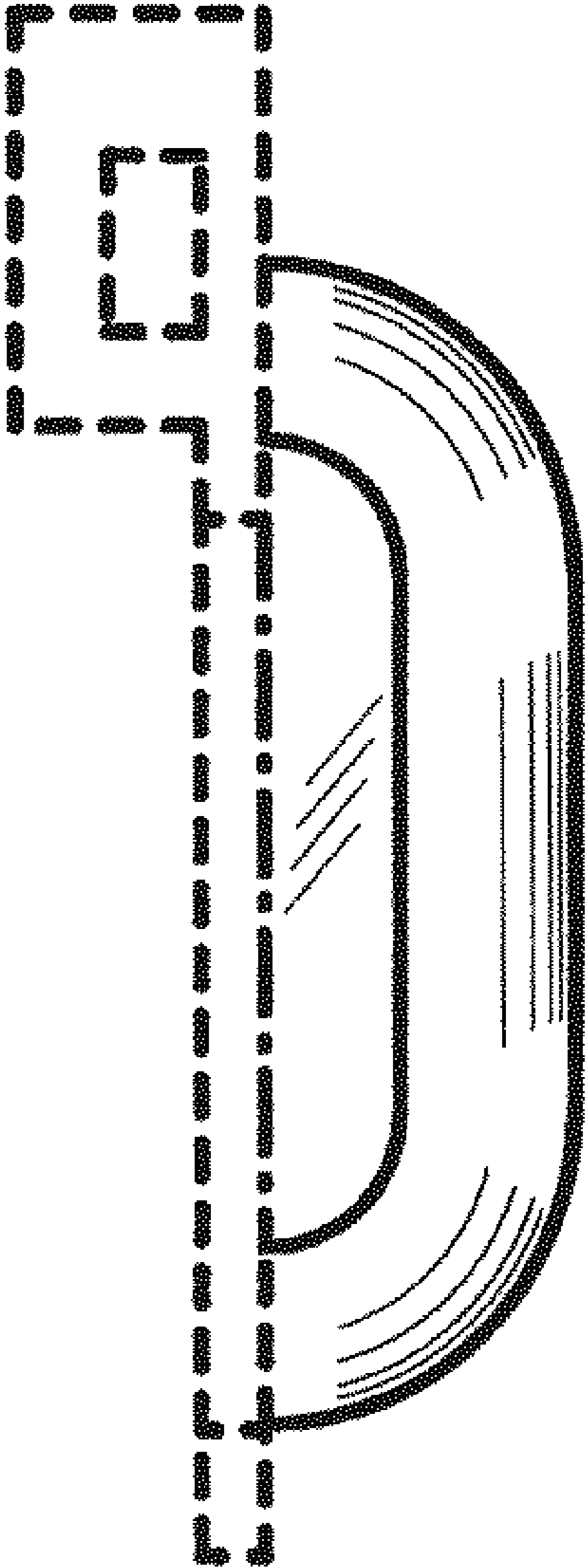


Fig. 3

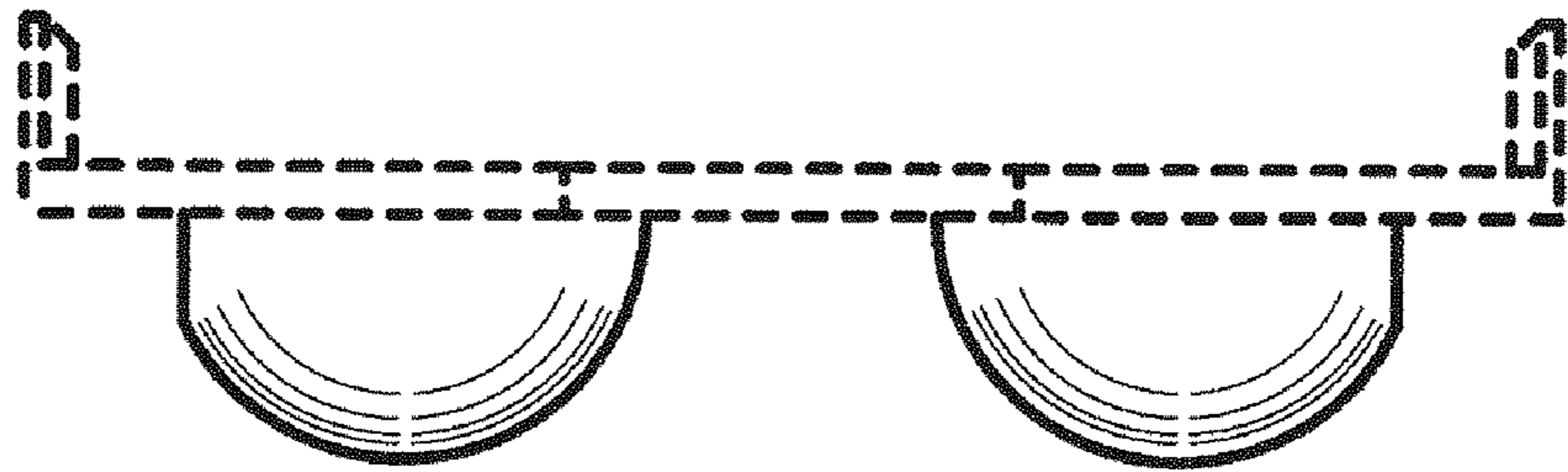


Fig. 4

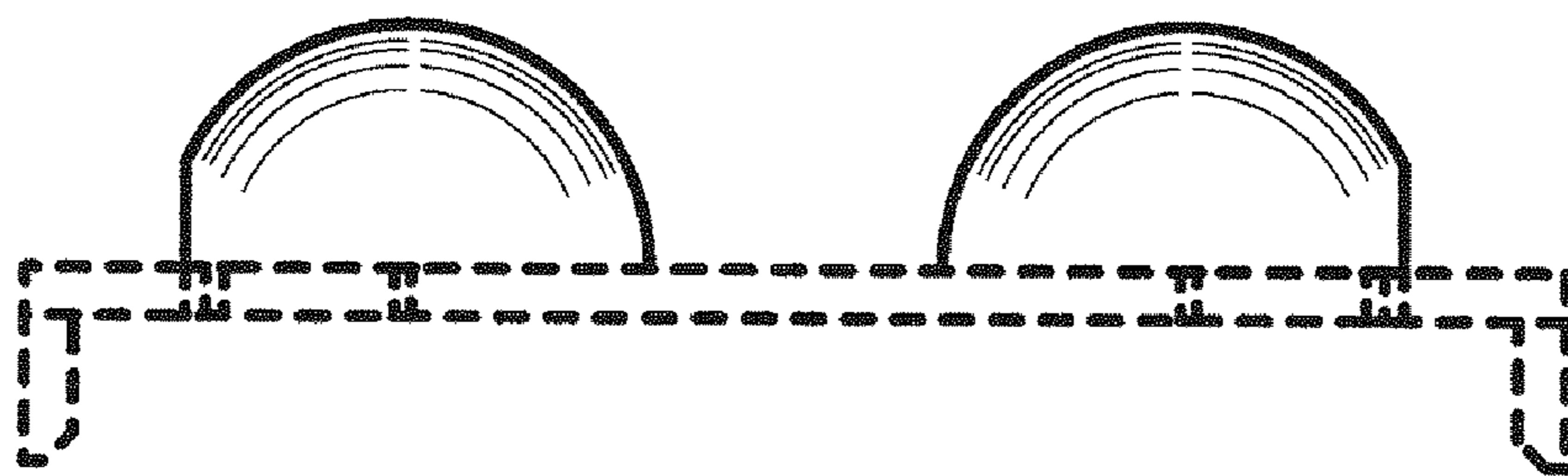


Fig. 5

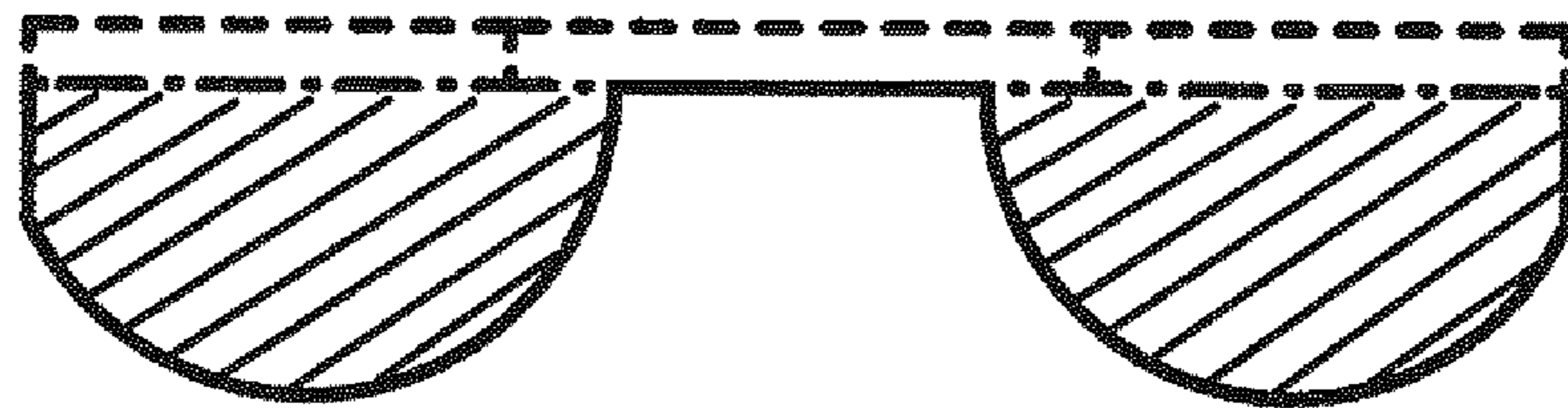


Fig. 6

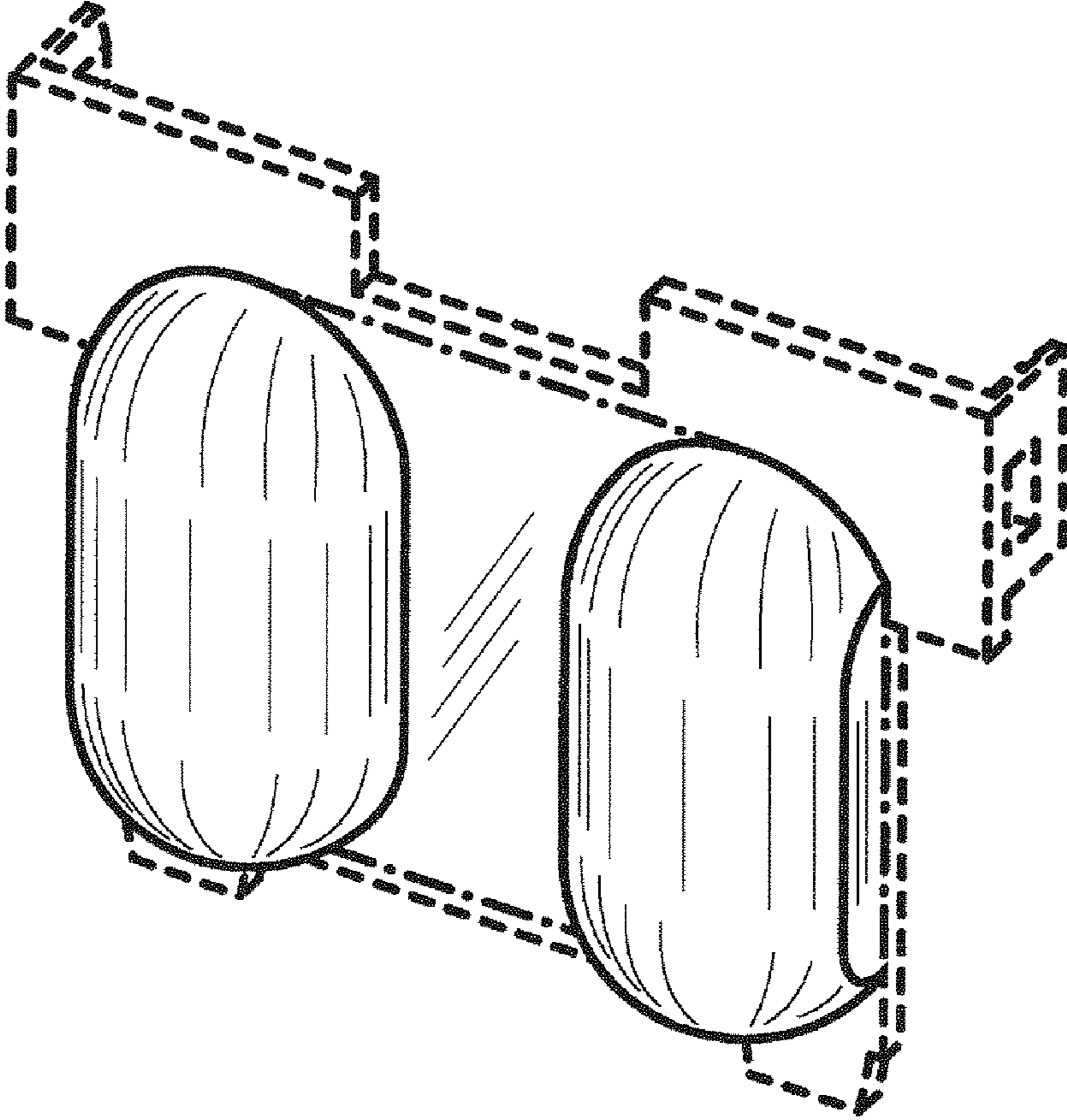


Fig. 7

