



US00D644546S

(12) **United States Design Patent**
Yukikado

(10) **Patent No.:** **US D644,546 S**
(45) **Date of Patent:** **** Sep. 6, 2011**

(54) **BIOCHEMICAL ANALYZER**

(75) Inventor: **Kouji Yukikado**, Ehime (JP)
(73) Assignee: **Panasonic Corporation**, Osaka (JP)
(**) Term: **14 Years**
(21) Appl. No.: **29/368,664**
(22) Filed: **Aug. 26, 2010**

(30) **Foreign Application Priority Data**

Mar. 12, 2010 (JP) 2010-006064

(51) **LOC (9) Cl.** **10-04**
(52) **U.S. Cl.** **D10/94**
(58) **Field of Classification Search** D10/78,
D10/81, 94; D24/216, 232, 234, 186, 233;
702/32, 19; 600/300; 455/569.2; 324/72.5,
324/110, 114, 115, 149, 151 A, 158 F, 156,
324/556, 133, 503, 543, 555, 66, 72, 754;
340/653, 660, 635; 439/482; 422/63-83,
422/99, 100, 58, 61, 82.05; 423/43; 436/164,
436/166, 169, 605, 46, 47, 49, 179, 180;
356/246; 362/119; 435/14, 283.1, 287.1,
435/4, 970; 73/864.12; 134/26, 27, 22.11,
134/24, 21, 169 R

See application file for complete search history.

(56) **References Cited**

U.S. PATENT DOCUMENTS

D334,237 S 3/1993 Collister et al.
D339,639 S 9/1993 Ohnuma et al.
D381,749 S 7/1997 Lawrence et al.
D489,816 S 5/2004 Ross
D549,827 S 8/2007 Maeno et al.
D554,551 S 11/2007 Ouchi et al.
7,319,031 B2 * 1/2008 Vent et al. 435/286.2
D581,823 S 12/2008 Mori et al.
D607,569 S 1/2010 Yukikado et al.
D612,276 S * 3/2010 Duffy et al. D10/81
D631,968 S * 2/2011 Sevel D24/169

FOREIGN PATENT DOCUMENTS

JP D1062108 2/2000
JP D1062109 2/2000
JP D1267696 4/2006
JP D1269499 4/2006
JP D1282049 9/2006
JP D1308518 8/2007
JP D1223907 11/2007
JP D1324710 3/2008
JP D1332229 6/2008
JP D1344389 11/2008
JP D1345385 12/2008
JP D1345449 12/2008
JP D1371857 10/2009
JP D1373600 11/2009

* cited by examiner

Primary Examiner — Antoine D Davis

(74) *Attorney, Agent, or Firm* — Brinks Hofer Gilson & Lione

(57) **CLAIM**

I claim the ornamental design for a biochemical analyzer, as shown and described.

DESCRIPTION

FIG. 1 is a front perspective view of a biochemical analyzer of the present invention;
FIG. 2 is a bottom perspective view thereof;
FIG. 3 is a front view thereof;
FIG. 4 is a rear view thereof;
FIG. 5 is a first side view thereof;
FIG. 6 is a second side view thereof;
FIG. 7 is a top view thereof;
FIG. 8 is a bottom view thereof; and,
FIG. 9 is a bottom perspective view thereof shown in an environmental use.

The broken line showing of biochemical analyzer is included for the purpose of illustrating environment and forms no part of the claimed design.

1 Claim, 9 Drawing Sheets

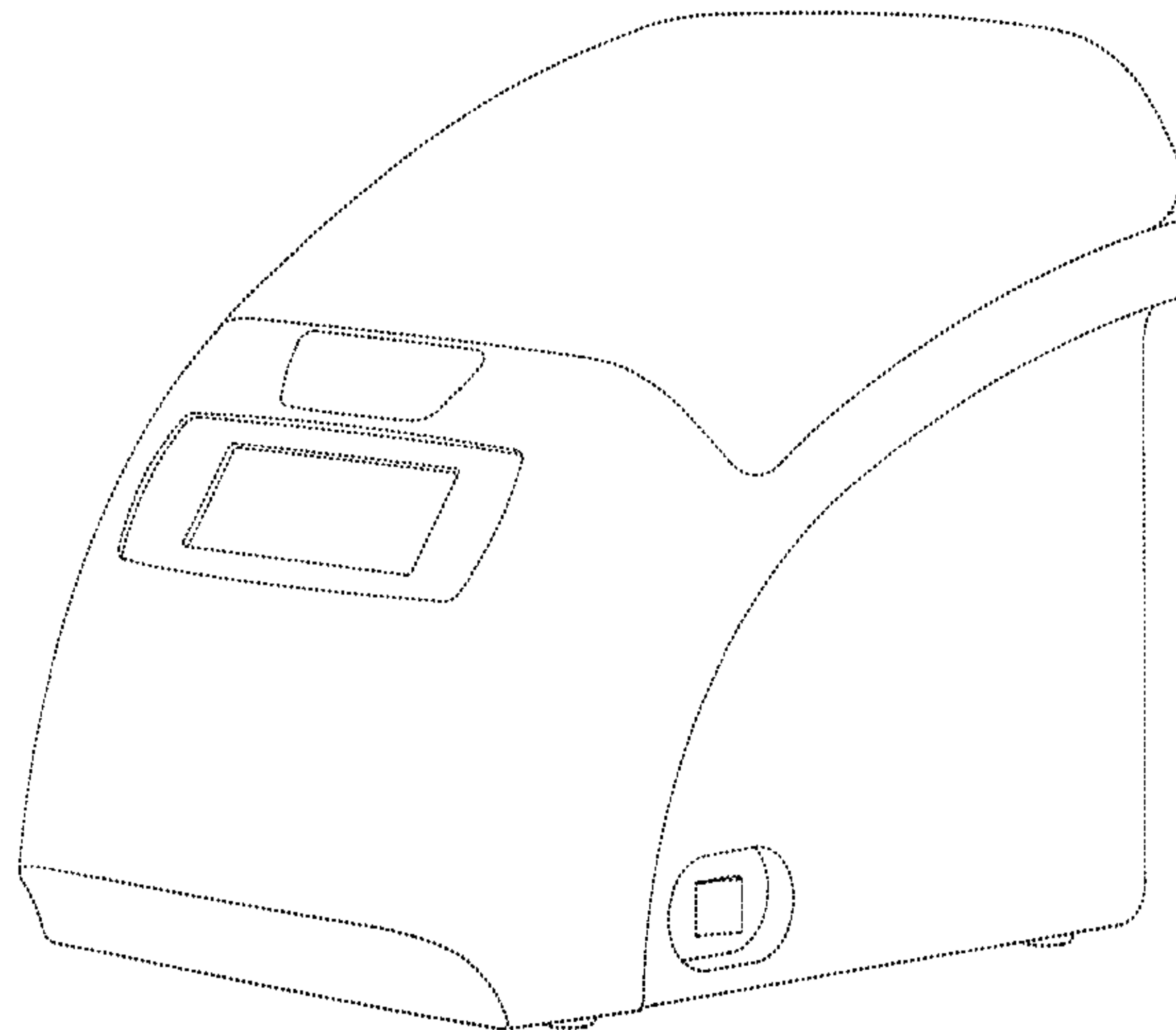


FIG.1

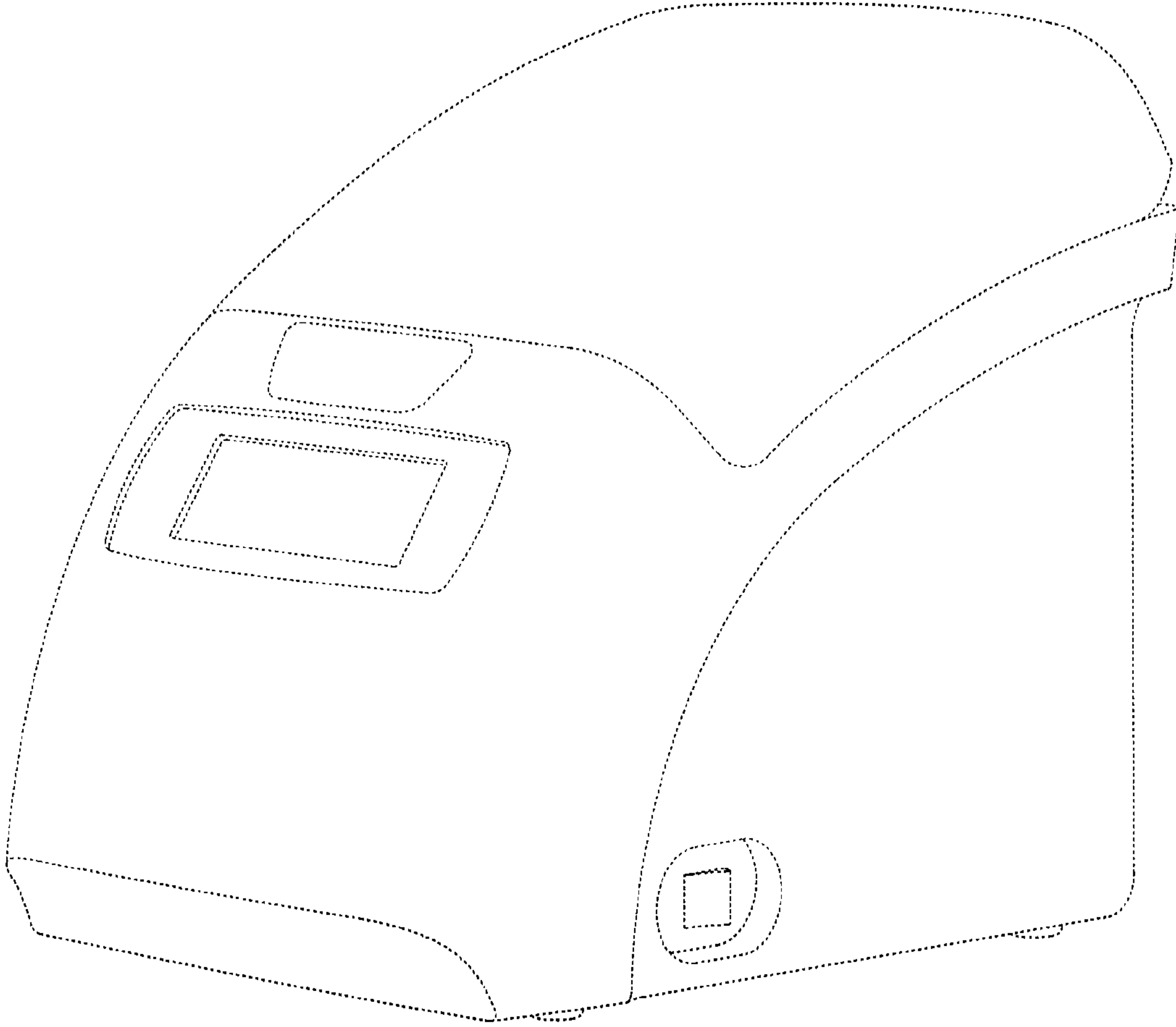


FIG.2

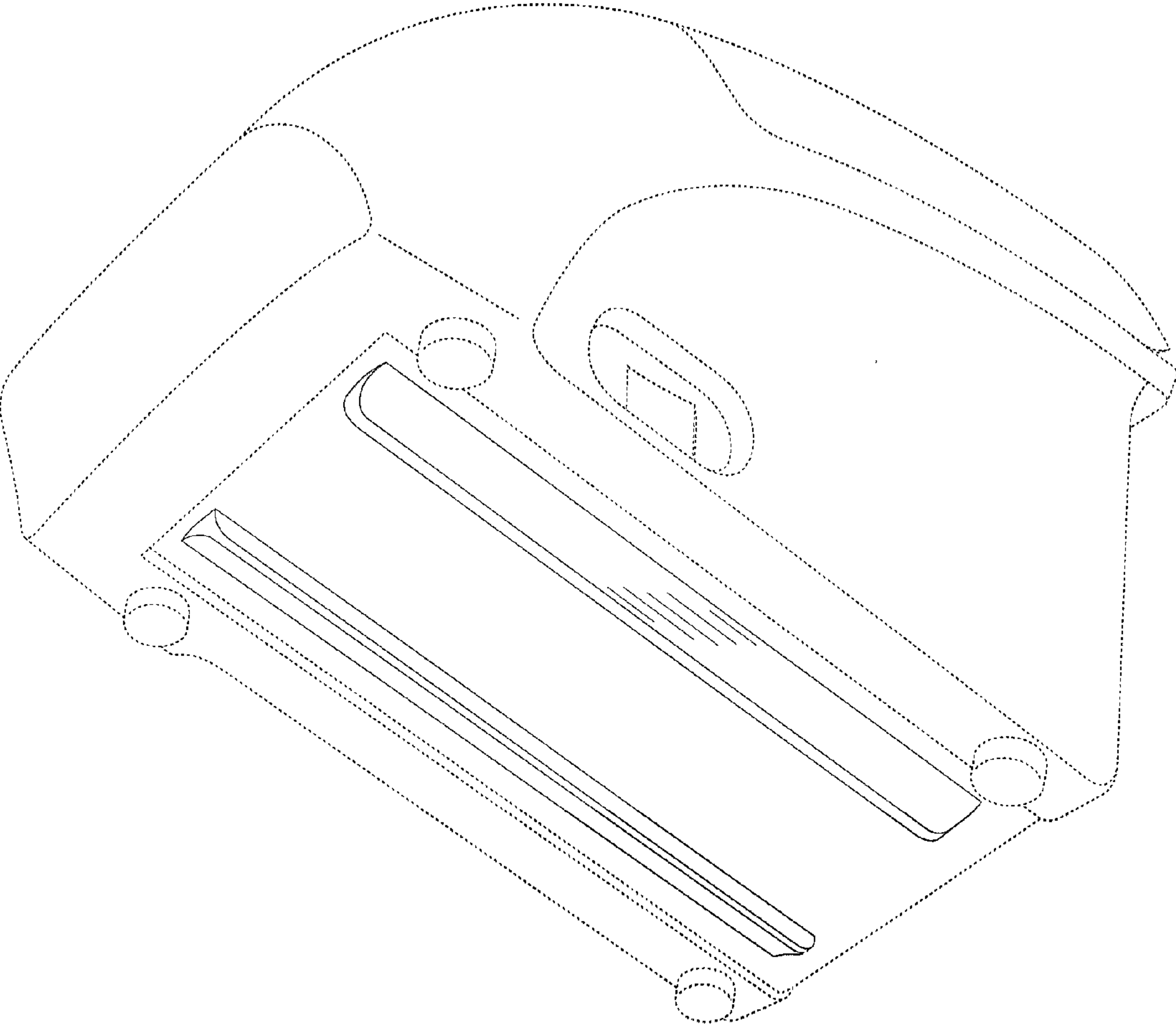


FIG.3

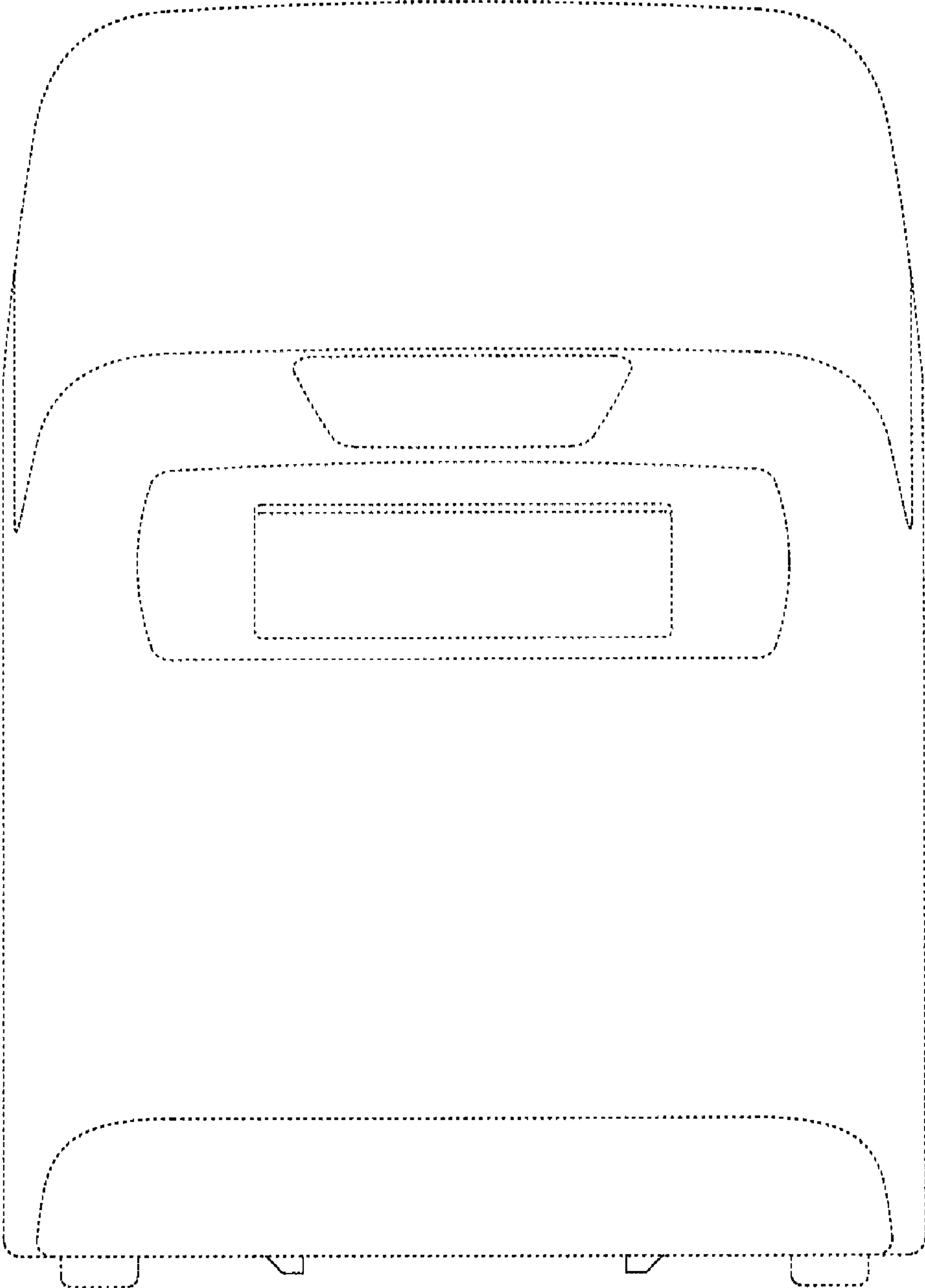


FIG.4

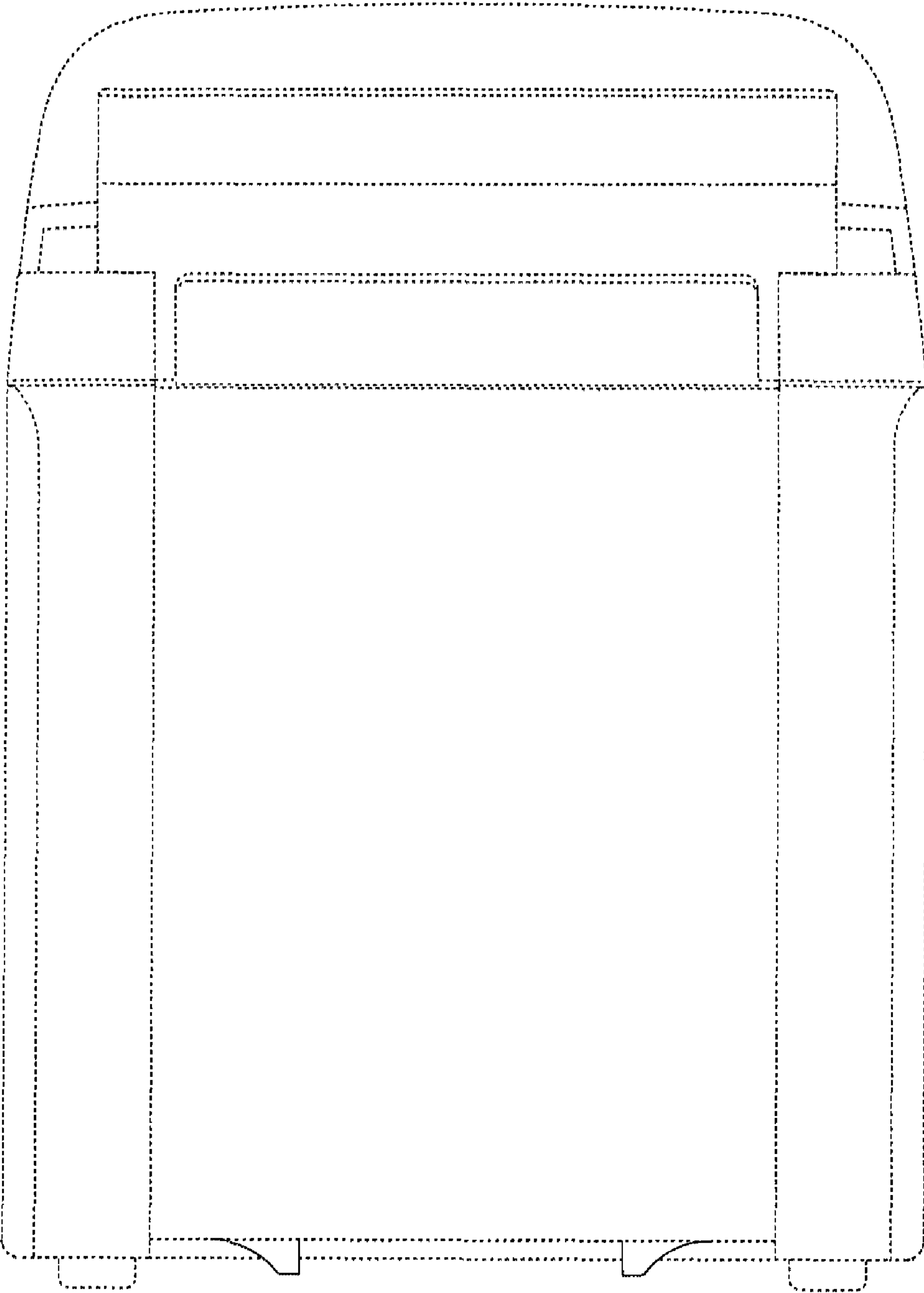


FIG.5

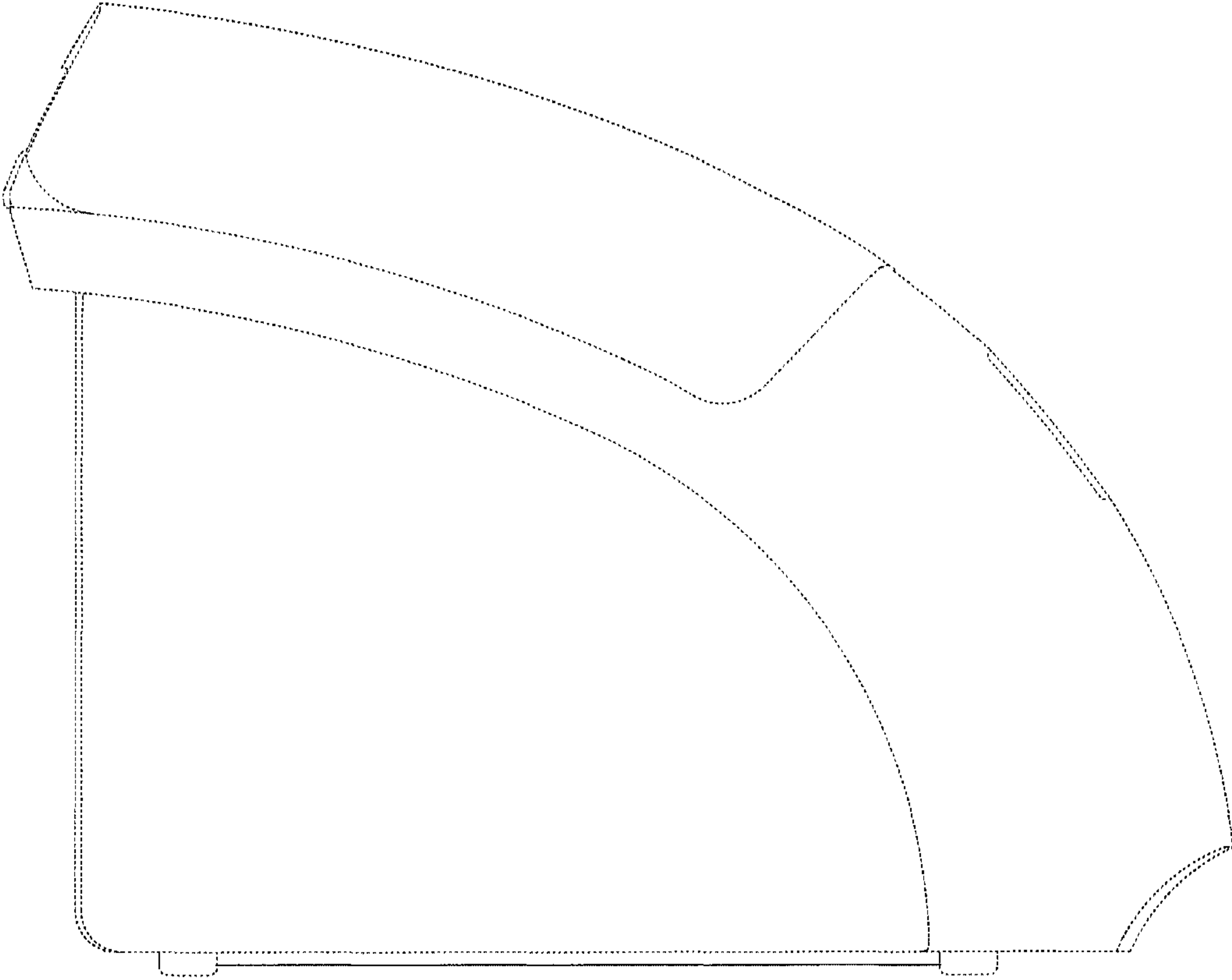


FIG.6

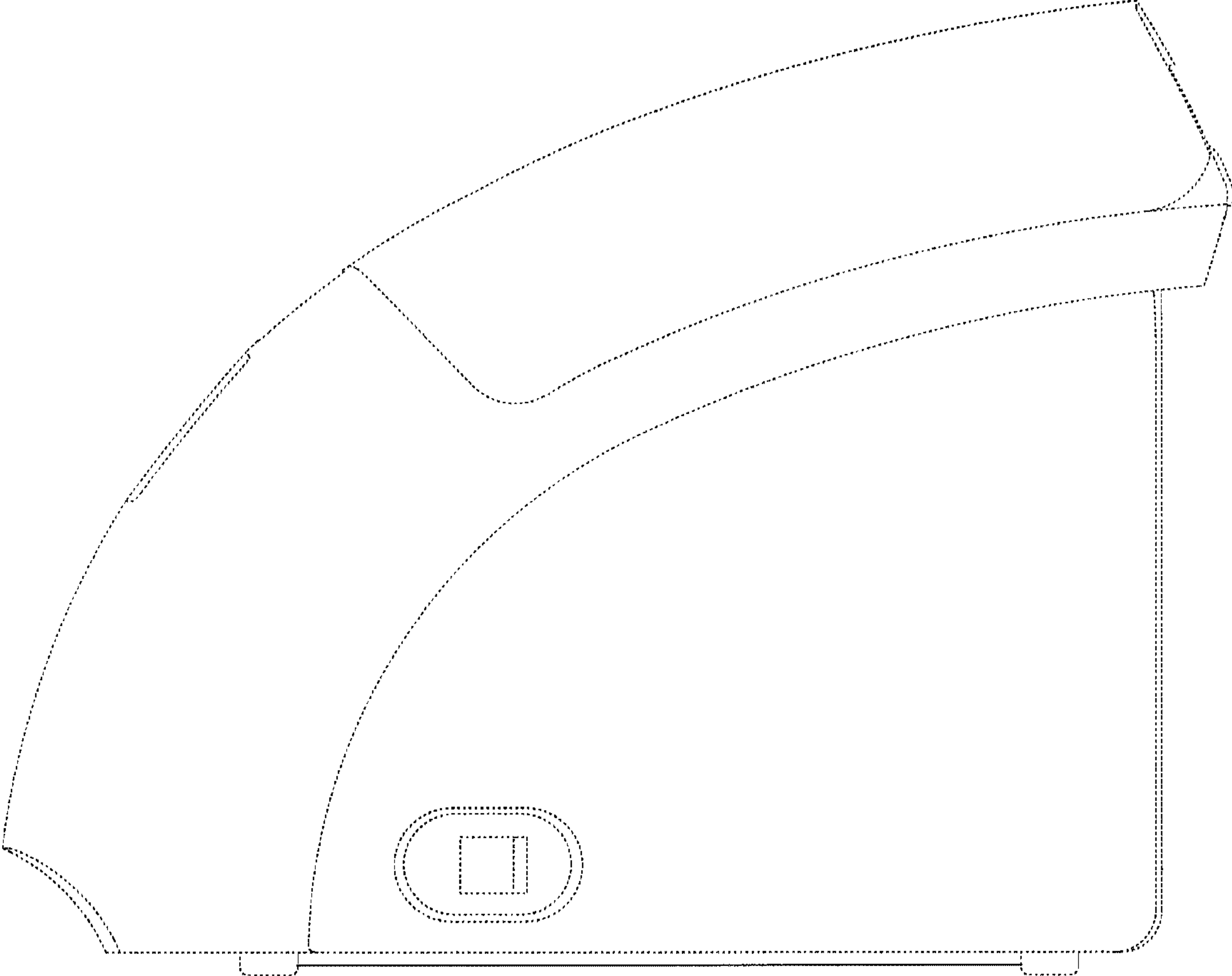


FIG.7

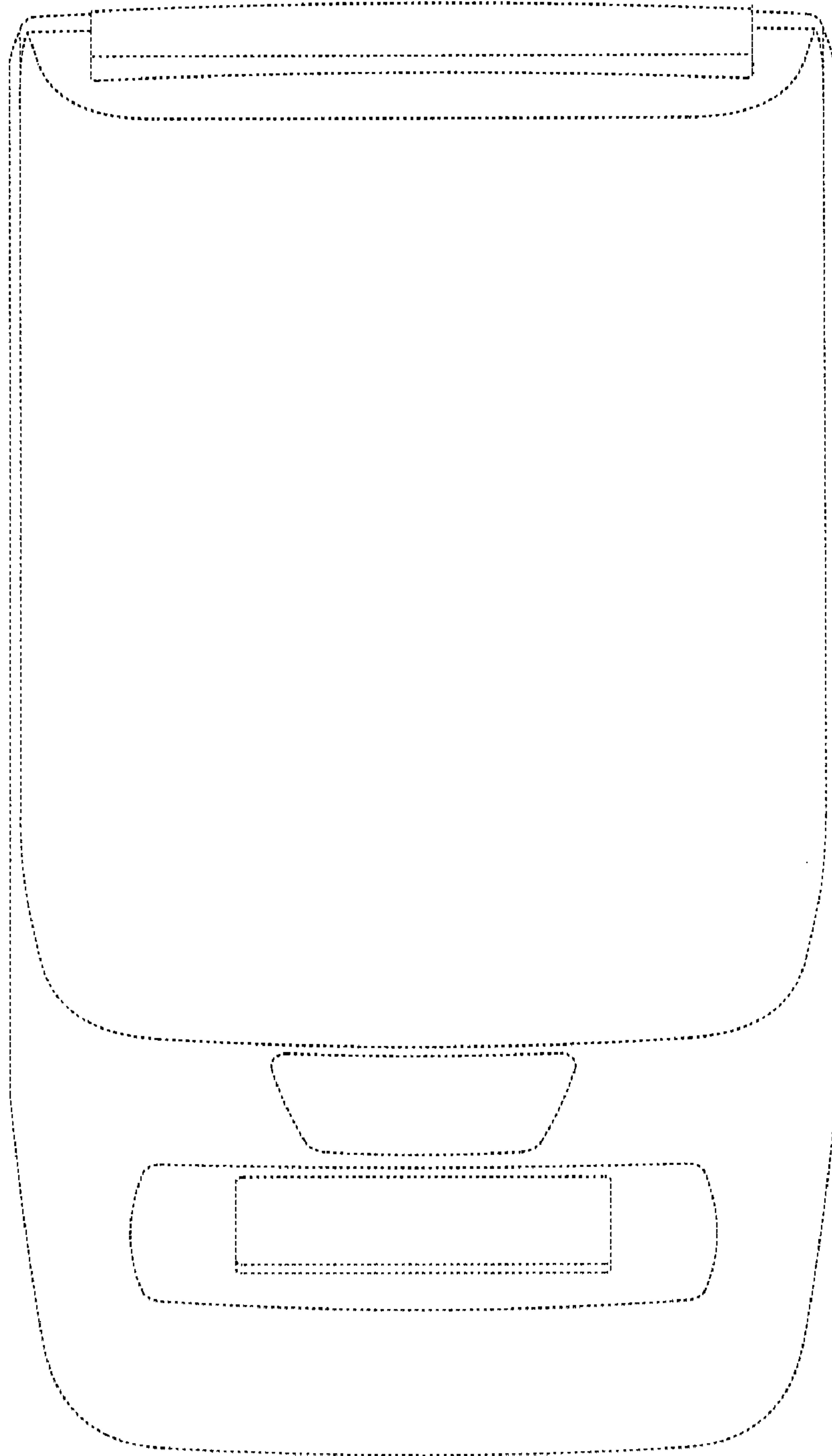


FIG.8

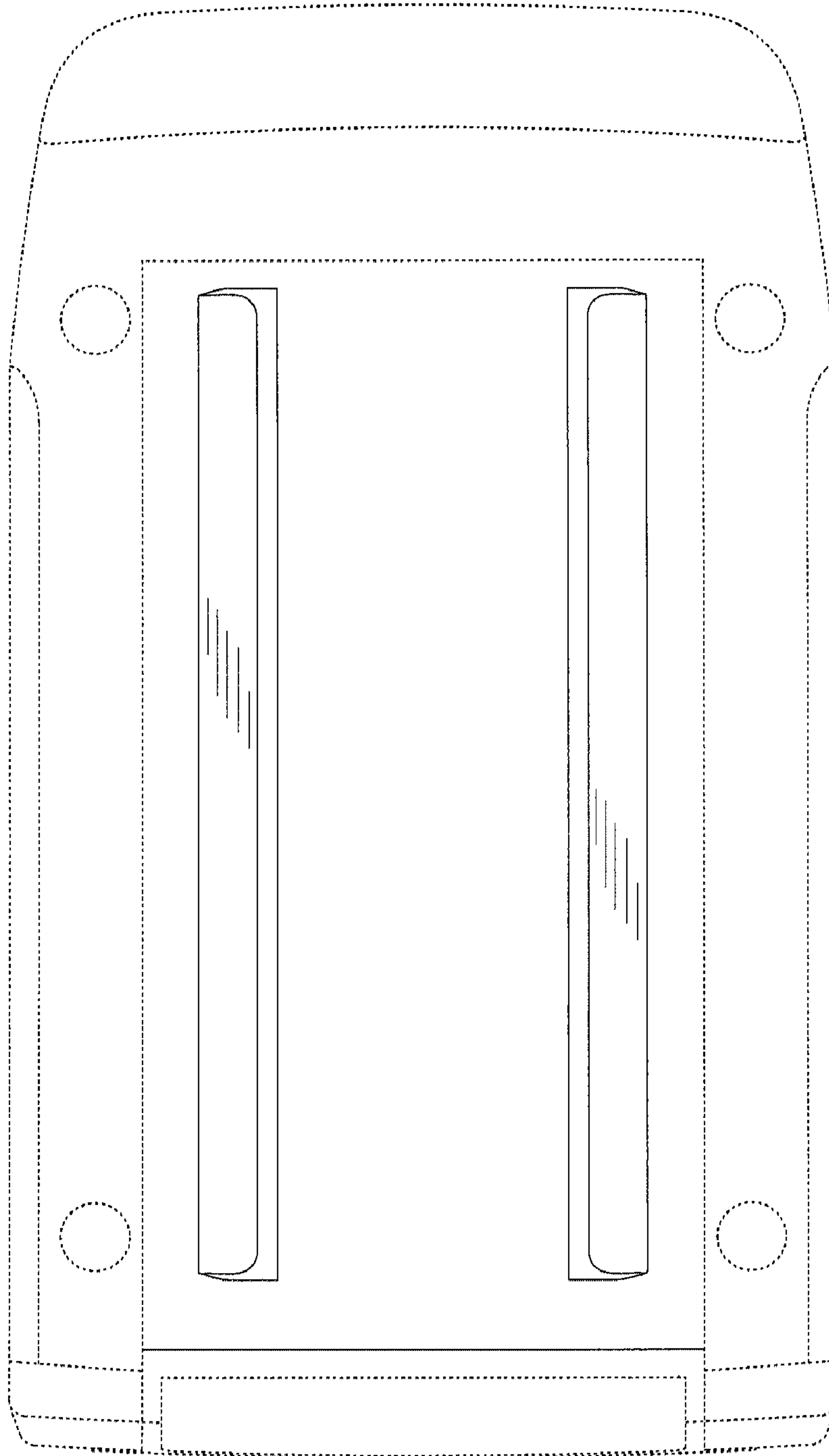


FIG.9

