



US00D644545S

(12) **United States Design Patent**
Chen

(10) **Patent No.:** **US D644,545 S**

(45) **Date of Patent:** **** Sep. 6, 2011**

(54) **TIRE PRESSURE GAUGE**

(76) Inventor: **Kuo-Liang Chen**, Changhua (TW)

(**) Term: **14 Years**

(21) Appl. No.: **29/379,948**

(22) Filed: **Nov. 29, 2010**

(51) **LOC (9) Cl.** **10-04**

(52) **U.S. Cl.** **D10/86**

(58) **Field of Classification Search** D10/86;
73/732, 744, 742, 717, 741, 146.3, 146.8
See application file for complete search history.

(56) **References Cited**

U.S. PATENT DOCUMENTS

7,251,992 B2 * 8/2007 Petrucelli 73/146
7,721,592 B2 * 5/2010 Bucknell 73/146.8

* cited by examiner

Primary Examiner — Antoine D Davis

(74) *Attorney, Agent, or Firm* — Rabin & Berdo, P.C.

(57) **CLAIM**

The ornamental design for a tire pressure gauge, as shown and described.

DESCRIPTION

FIG. 1 is a perspective view of a tire pressure gauge, showing my new design;

FIG. 2 is another perspective view thereof;

FIG. 3 is a front view thereof;

FIG. 4 is a rear view thereof;

FIG. 5 is a left side view thereof;

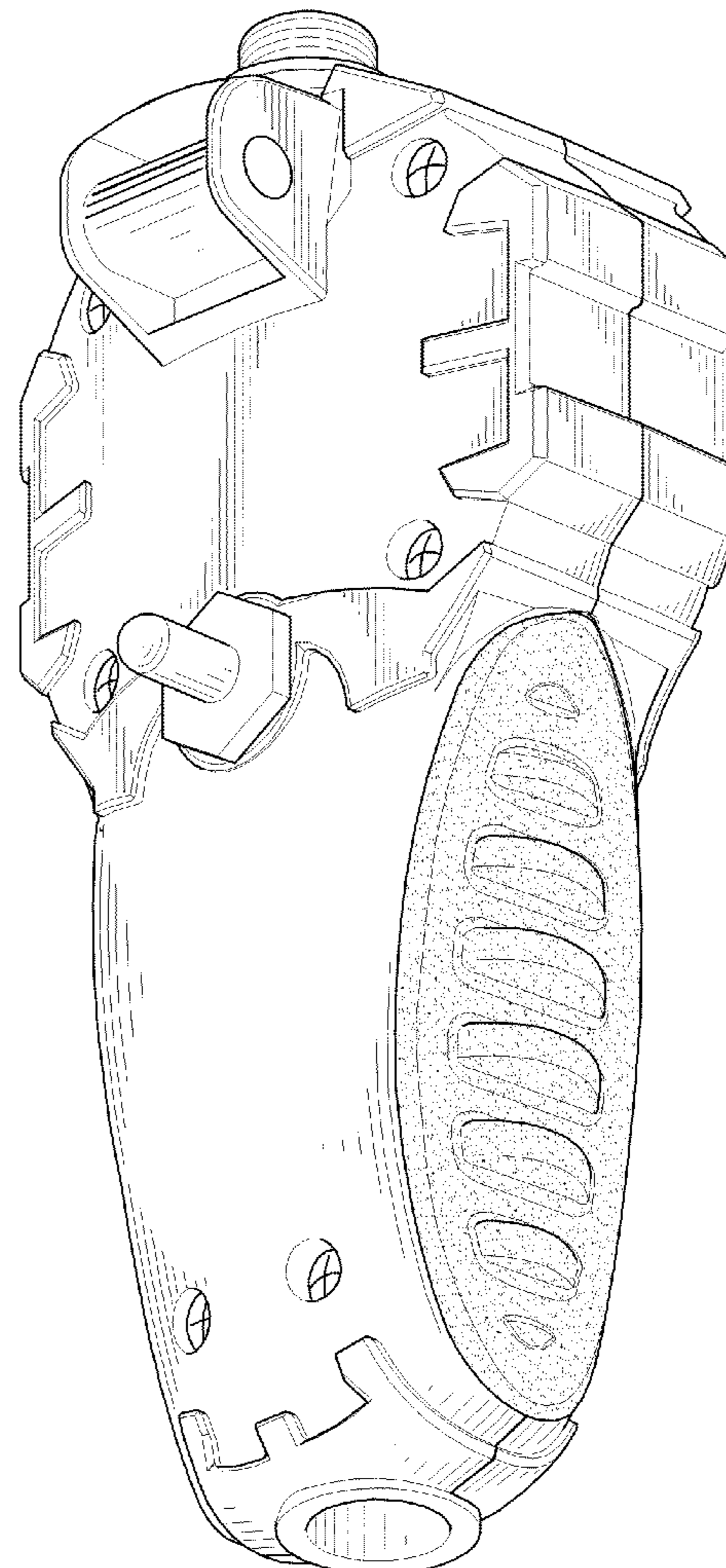
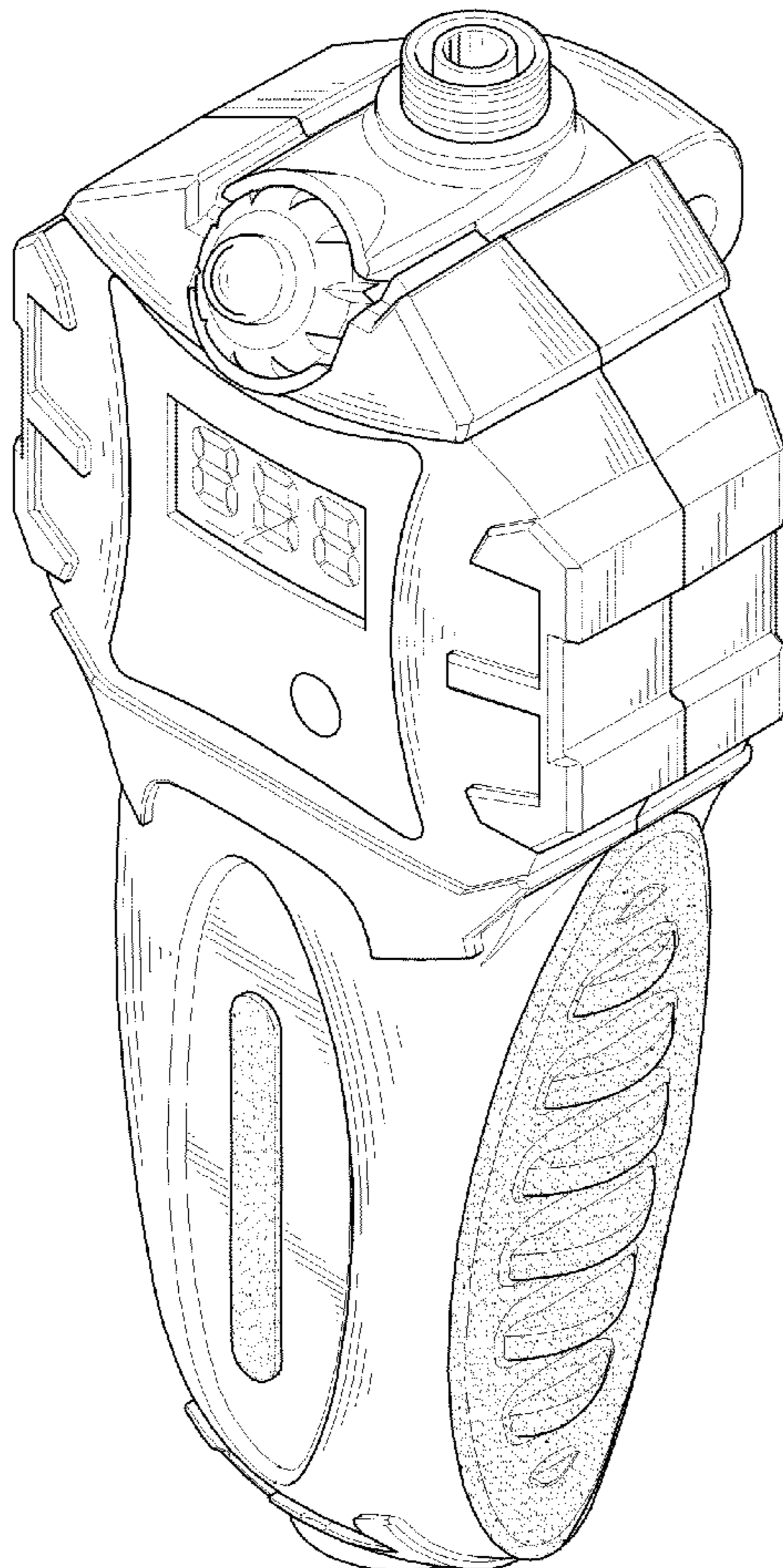
FIG. 6 is a right side view thereof;

FIG. 7 is a top view thereof; and,

FIG. 8 is a bottom view thereof.

The broken lines on the drawings are shown for illustrative purposes only and form no part of the claimed design.

1 Claim, 7 Drawing Sheets



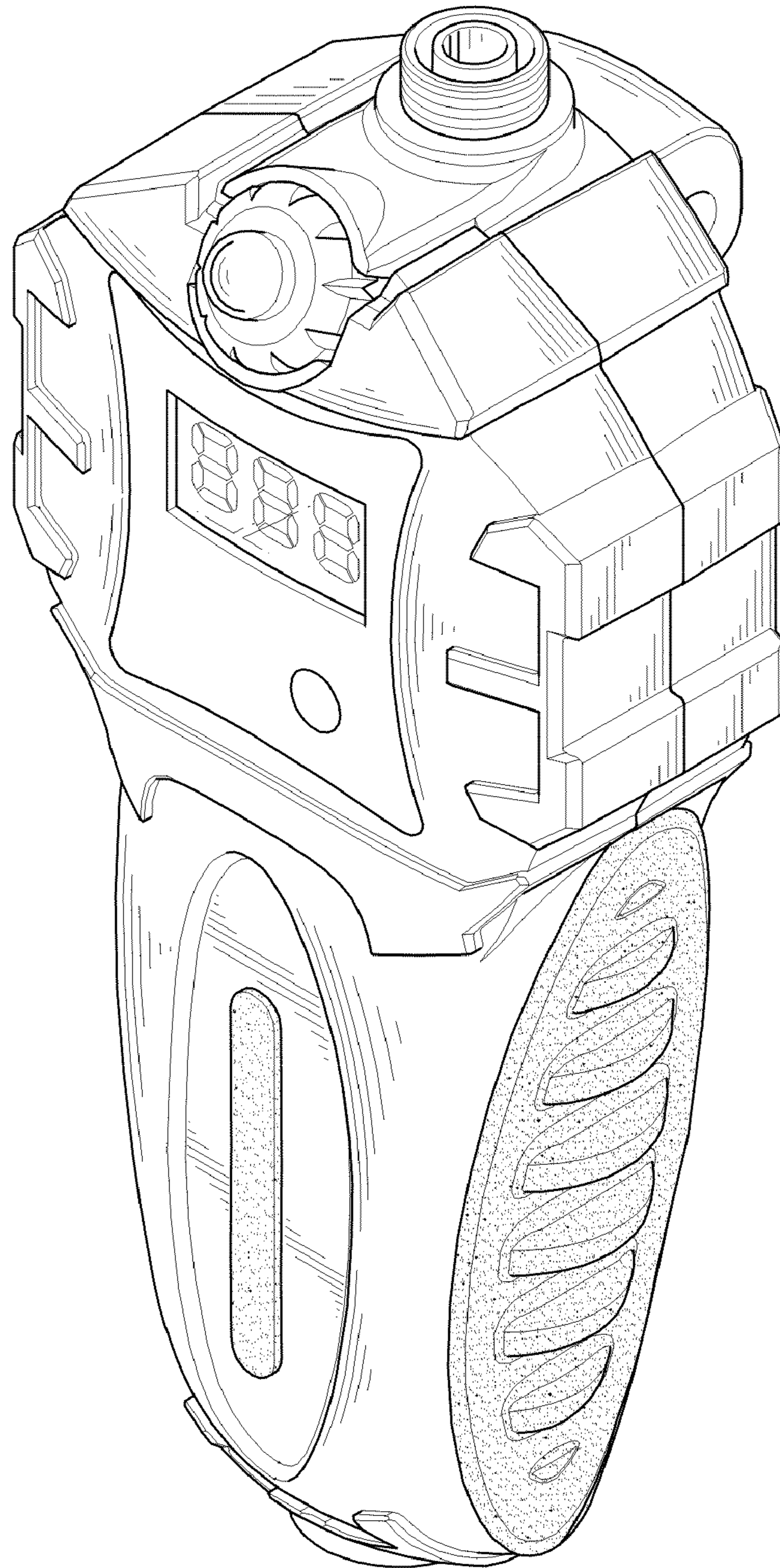


FIG.1

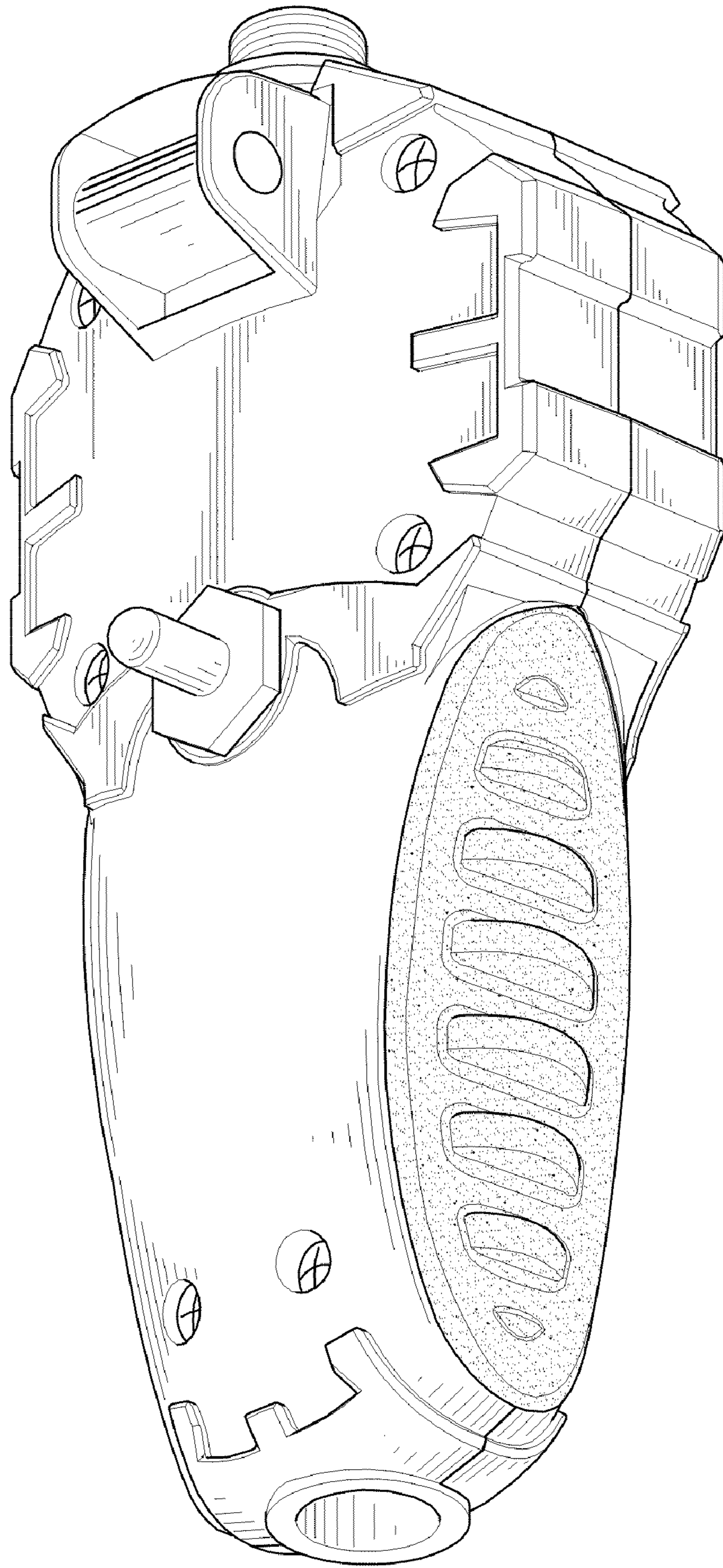


FIG.2

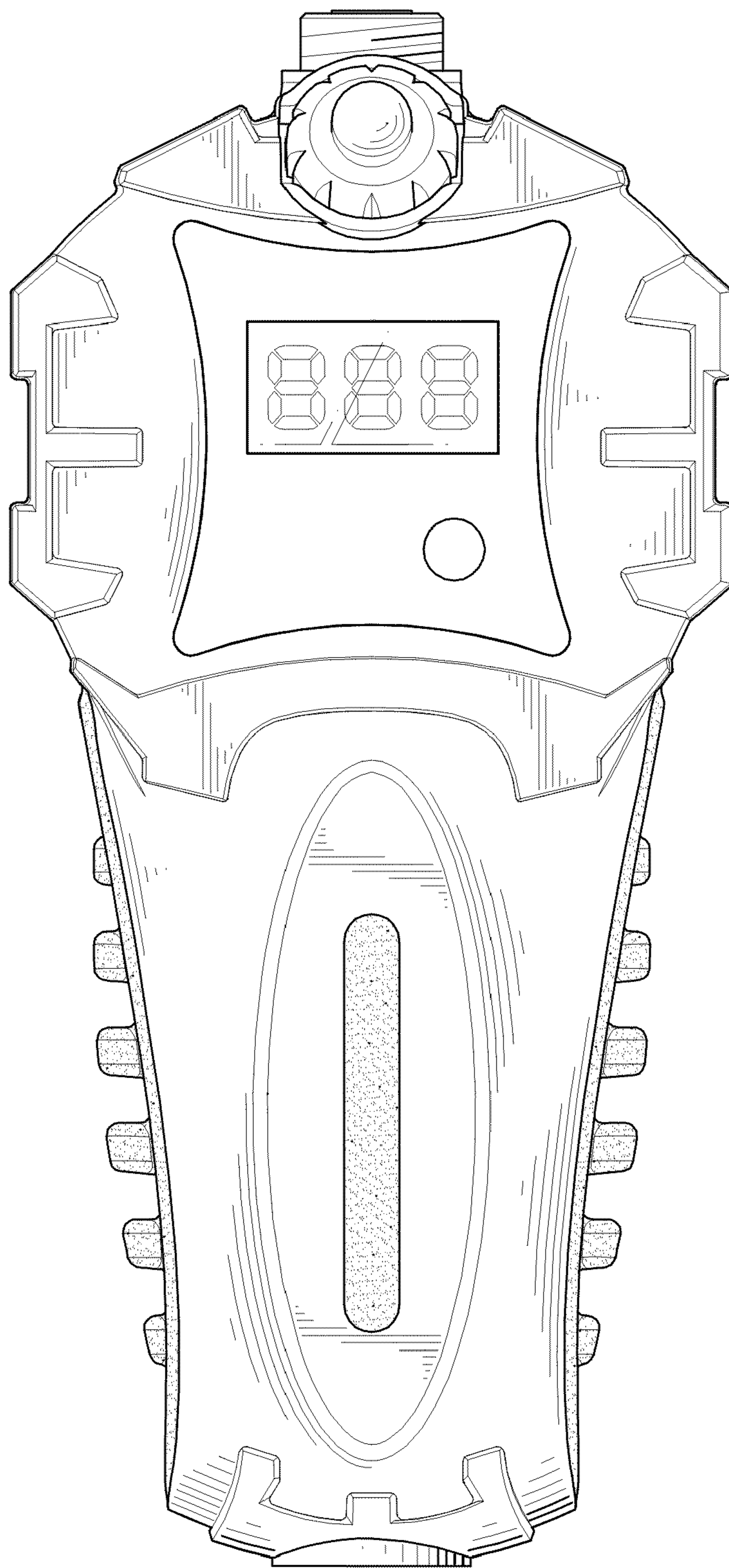


FIG.3

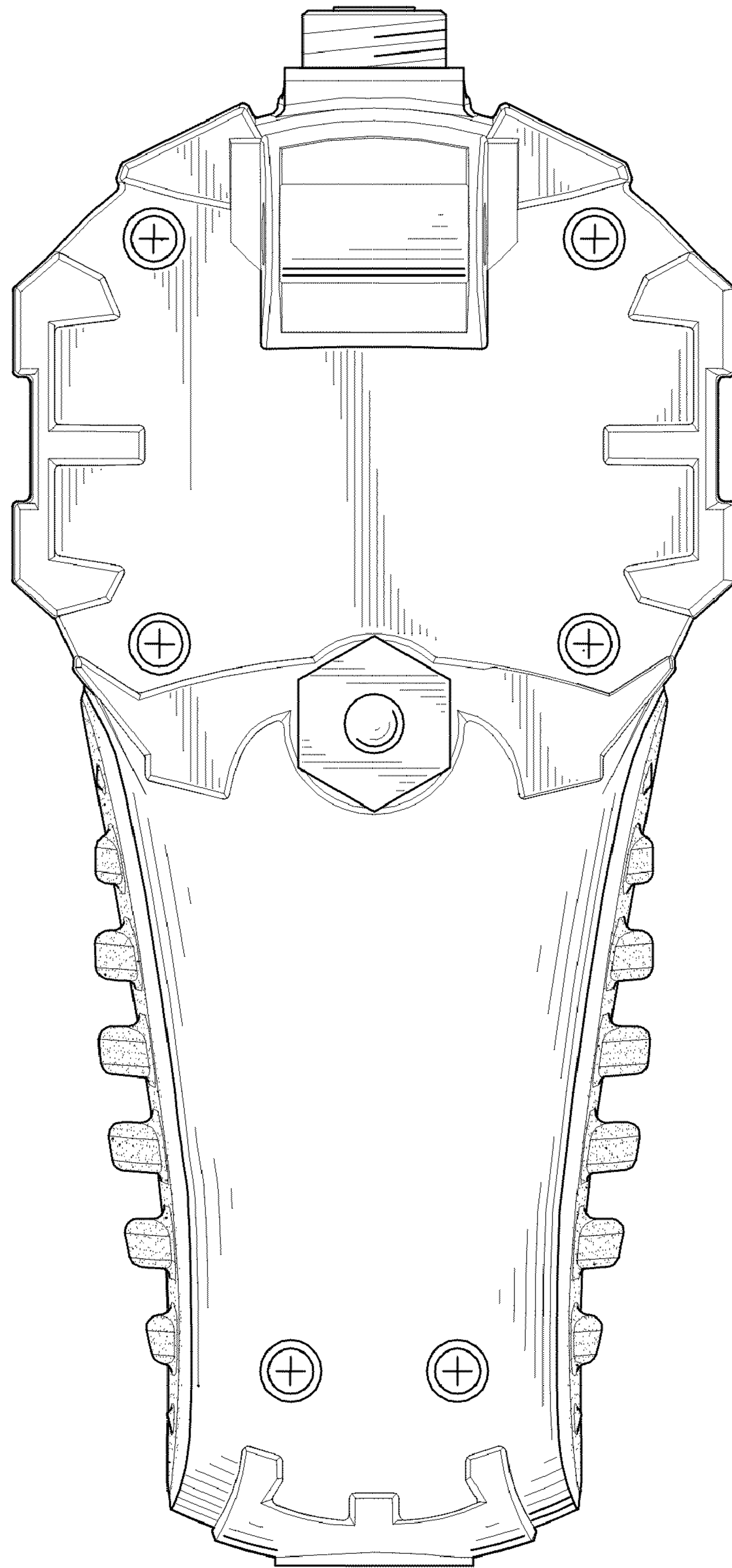


FIG.4

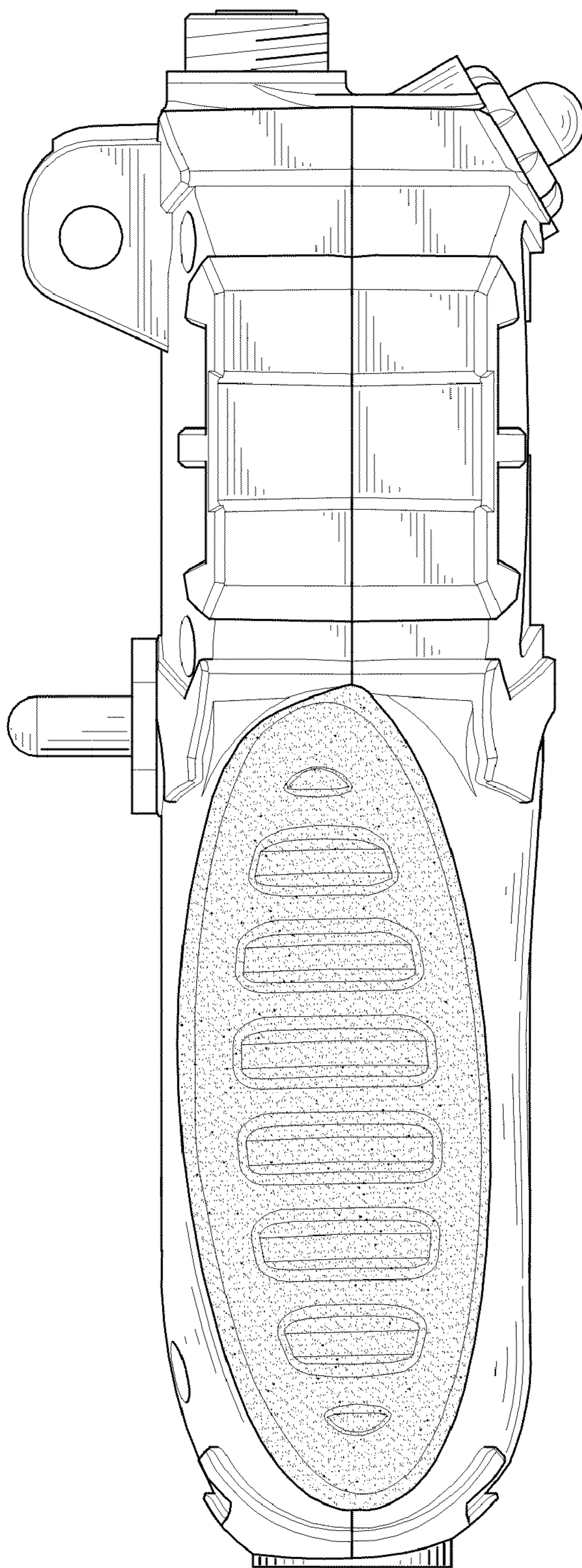


FIG.5

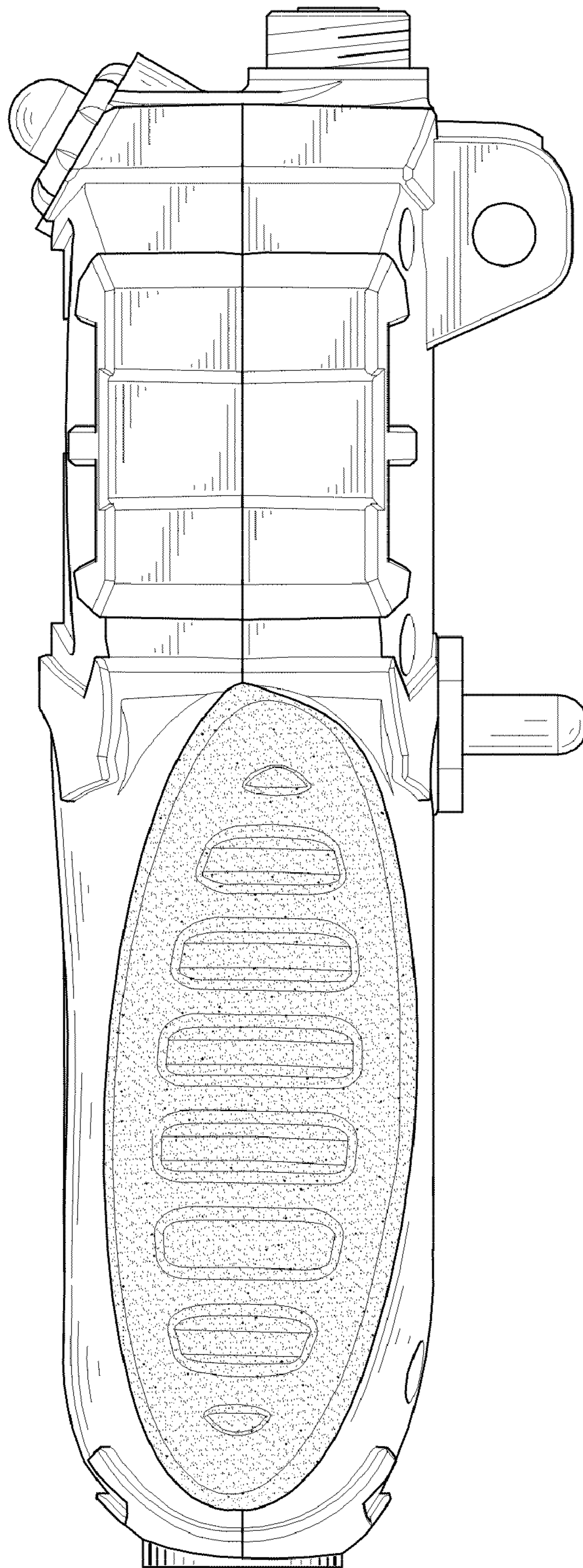


FIG.6

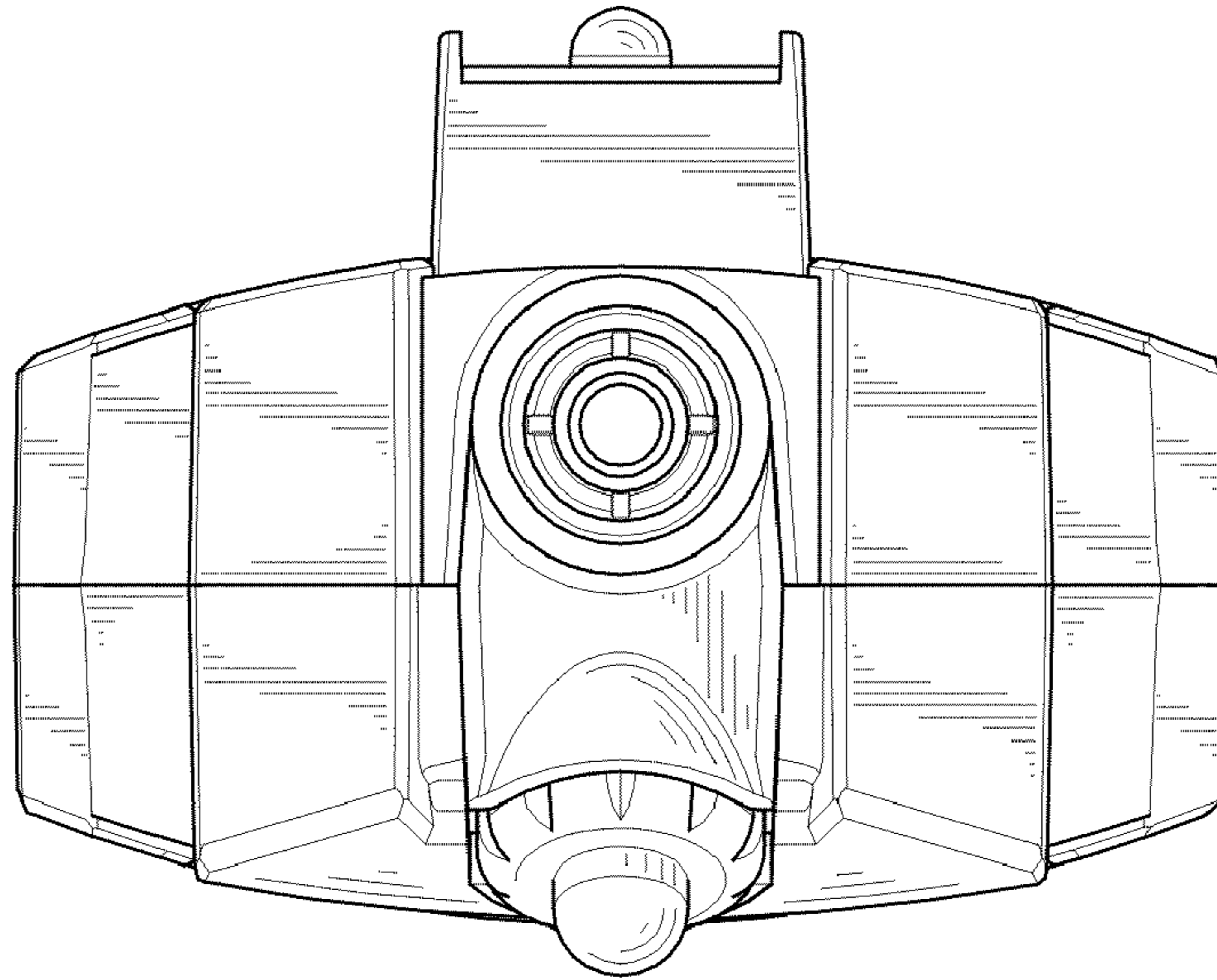


FIG. 7

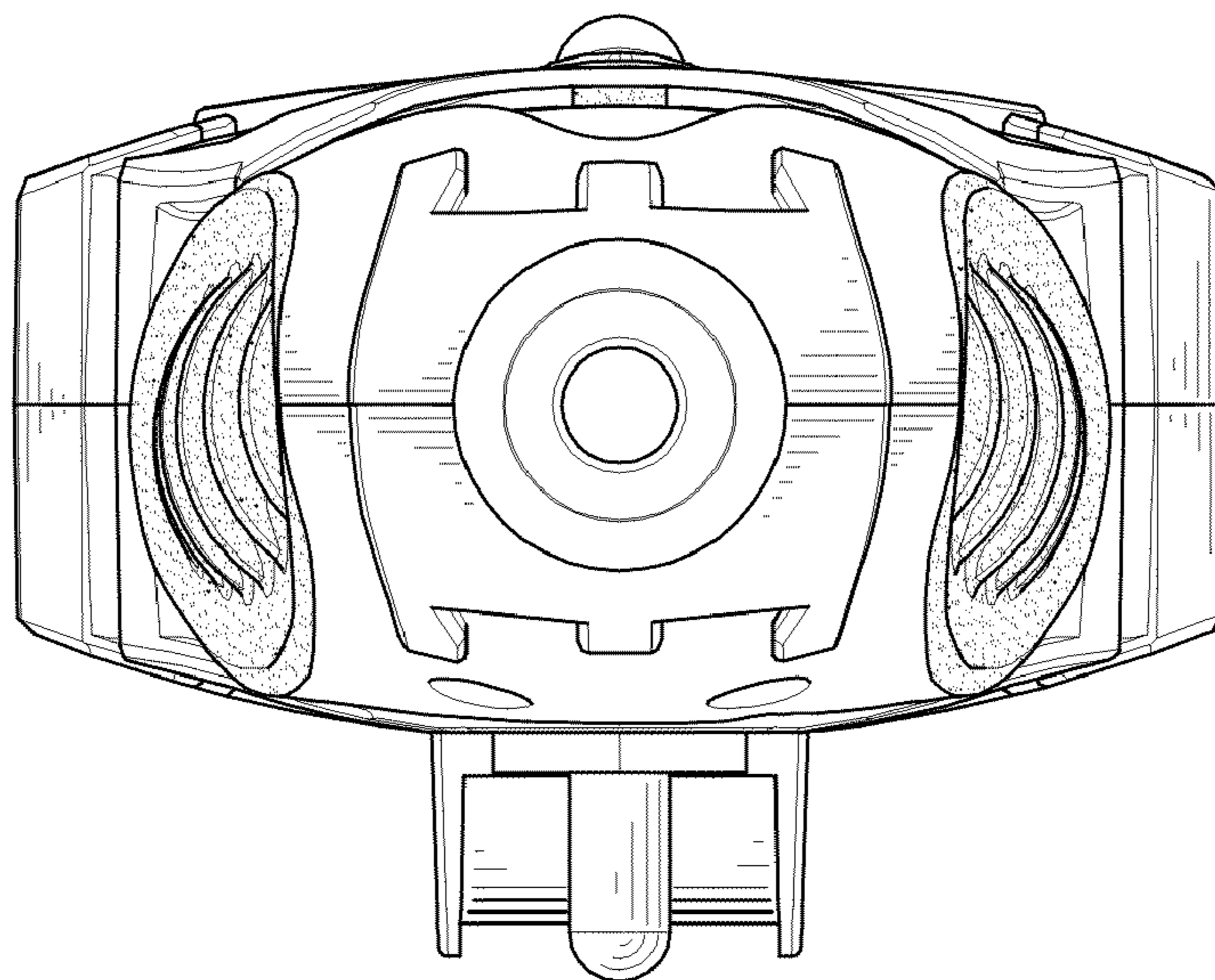


FIG. 8