



US00D644544S

(12) **United States Design Patent**
Yukikado

(10) **Patent No.:** **US D644,544 S**
(45) **Date of Patent:** **** Sep. 6, 2011**

(54) **BIOCHEMICAL ANALYZER**
(75) Inventor: **Kouji Yukikado**, Ehime (JP)
(73) Assignee: **Panasonic Corporation**, Osaka (JP)
(**) Term: **14 Years**
(21) Appl. No.: **29/368,672**
(22) Filed: **Aug. 26, 2010**

D581,823 S 12/2008 Mori et al.
D607,569 S 1/2010 Yukikado et al.
D612,276 S * 3/2010 Duffy et al. D10/81
D631,968 S * 2/2011 Sevel D24/169

(30) **Foreign Application Priority Data**

Mar. 12, 2010 (JP) 2010-006063

(51) **LOC (9) Cl.** **10-04**
(52) **U.S. Cl.** **D10/81**

(58) **Field of Classification Search** D10/78,
D10/81, 94; D24/216, 232, 234, 186, 233;
702/32, 19; 600/300; 455/569.2; 324/72.5,
324/110, 114, 115, 149, 151 A, 158 F, 156,
324/556, 133, 503, 543, 555, 66, 72, 754;
340/653, 660, 635; 439/482; 422/63-83,
422/99, 100, 58, 61, 82.05; 423/43; 436/164,
436/166, 169, 605, 46, 47, 49, 179, 180;
356/246; 362/119; 435/14, 283.1, 287.1,
435/4, 970; 73/864.12; 134/26, 27, 22.11,
134/24, 21, 169 R

See application file for complete search history.

(56) **References Cited**

U.S. PATENT DOCUMENTS

D334,237 S 3/1993 Collister et al.
D339,639 S 9/1993 Ohnuma et al.
D381,749 S 7/1997 Lawrence et al.
D489,816 S 5/2004 Ross
D549,827 S 8/2007 Maeno et al.
D554,551 S 11/2007 Ouchi et al.
7,319,031 B2 * 1/2008 Vent et al. 435/286.2

FOREIGN PATENT DOCUMENTS

JP D1062108 2/2000
JP D1062109 2/2000
JP D1267696 4/2006
JP D1269499 4/2006
JP D1282049 9/2006
JP D1308518 8/2007
JP D1223907 11/2007
JP D1324710 3/2008
JP D1332229 6/2008
JP D1344389 11/2008
JP D1345385 12/2008
JP D1345449 12/2008
JP D1371857 10/2009
JP D1373600 11/2009

* cited by examiner

Primary Examiner — Antoine D Davis

(74) *Attorney, Agent, or Firm* — Brinks Hofer Gilson & Lione

(57) **CLAIM**

I claim the ornamental design for a biochemical analyzer, as shown and described.

DESCRIPTION

FIG. 1 is a front perspective view of a biochemical analyzer of the present invention;
FIG. 2 is a rear perspective view thereof;
FIG. 3 is a front view thereof;
FIG. 4 is a rear view thereof;
FIG. 5 is a first side view thereof;
FIG. 6 is a second side view thereof;
FIG. 7 is a top view thereof; and,
FIG. 8 is a bottom view thereof.

1 Claim, 8 Drawing Sheets

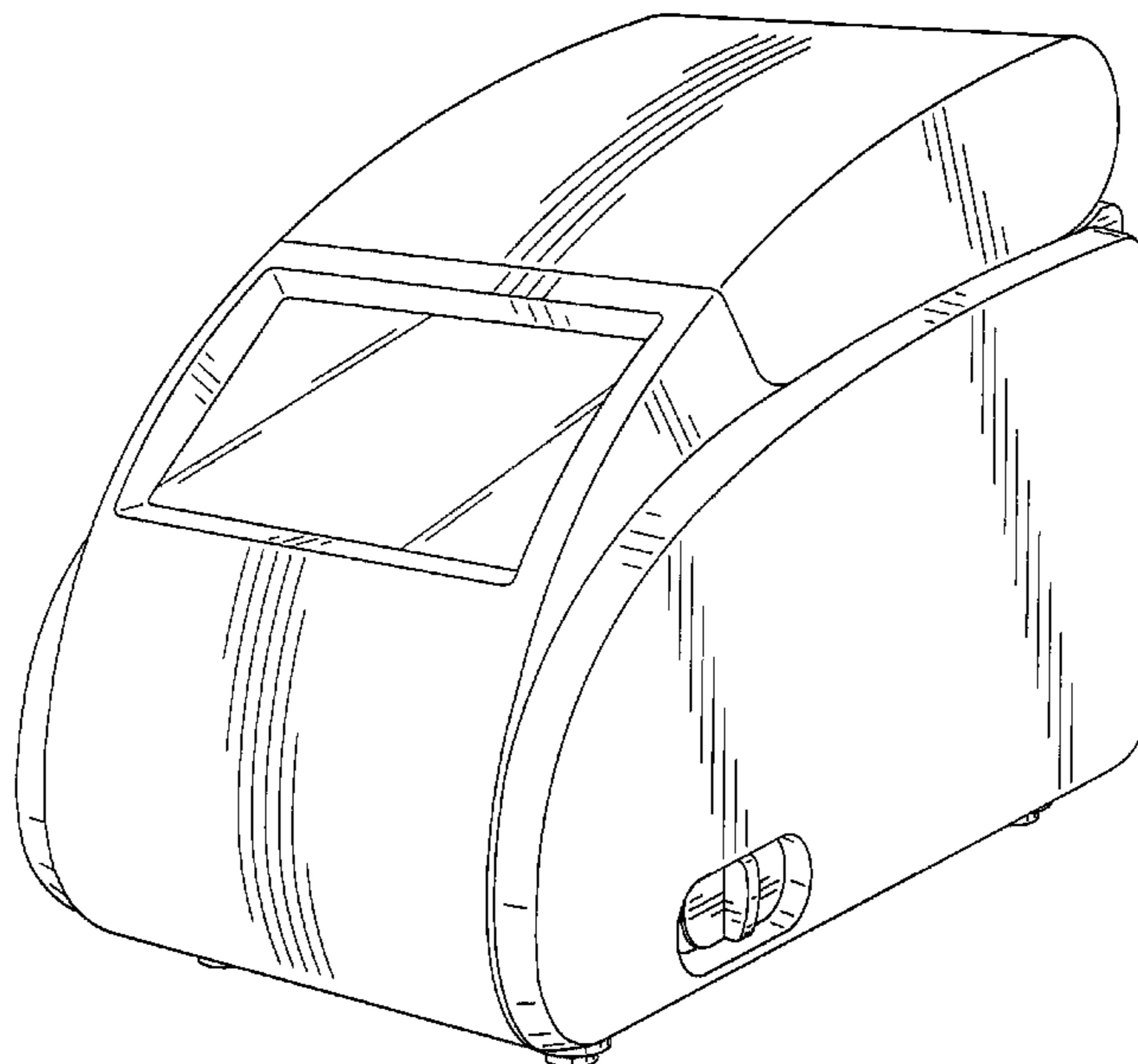


FIG.1

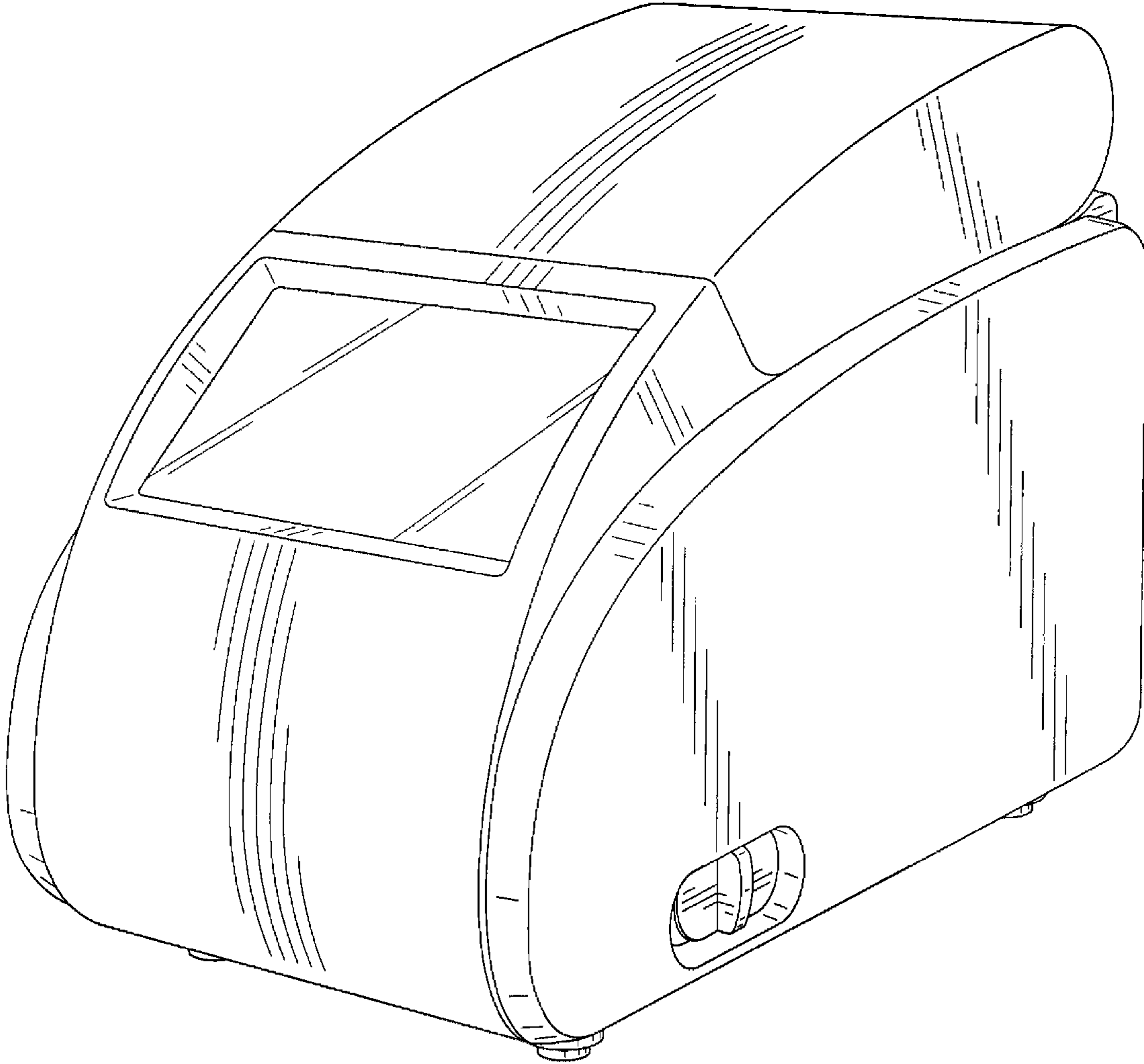


FIG.2

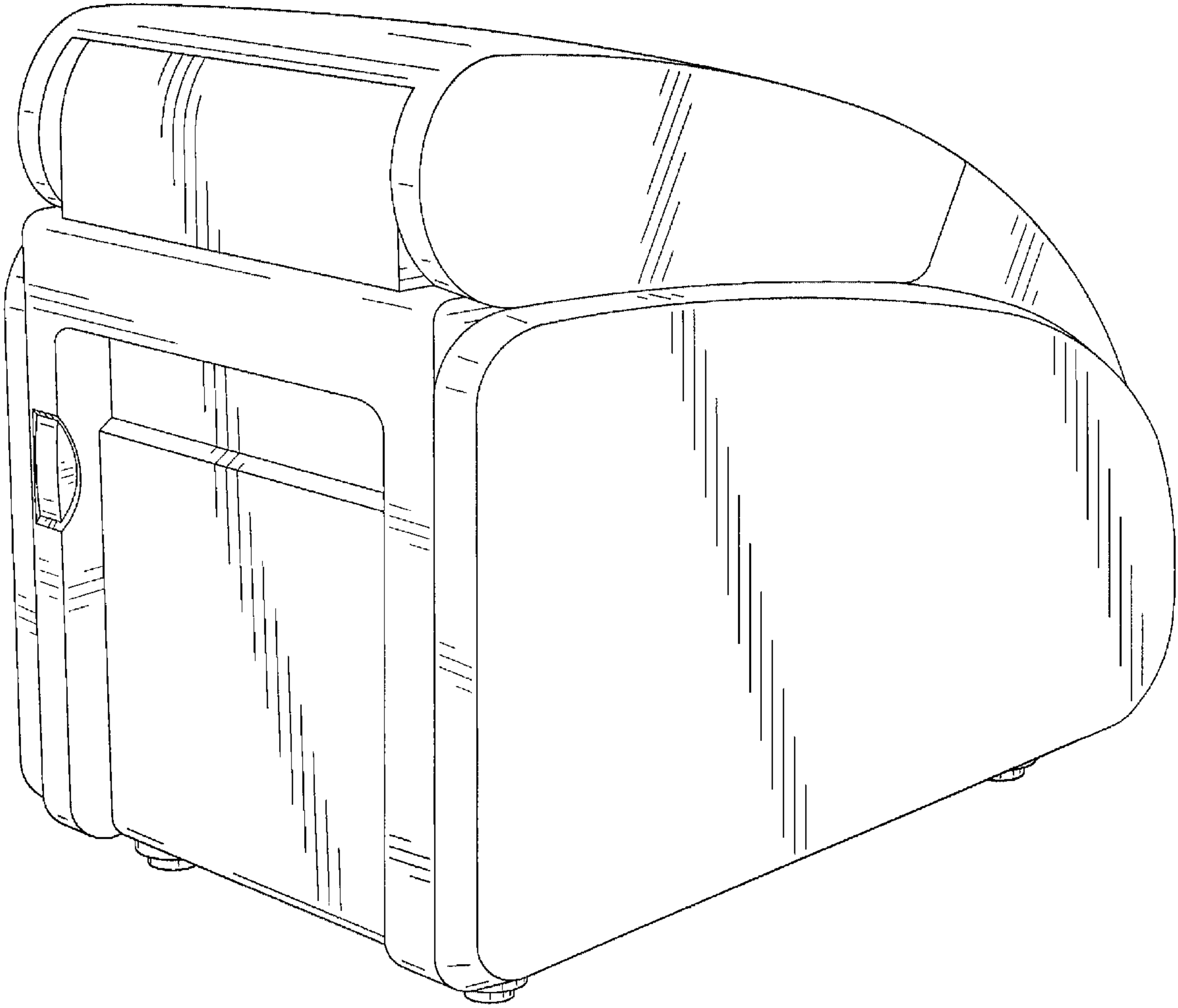


FIG.3

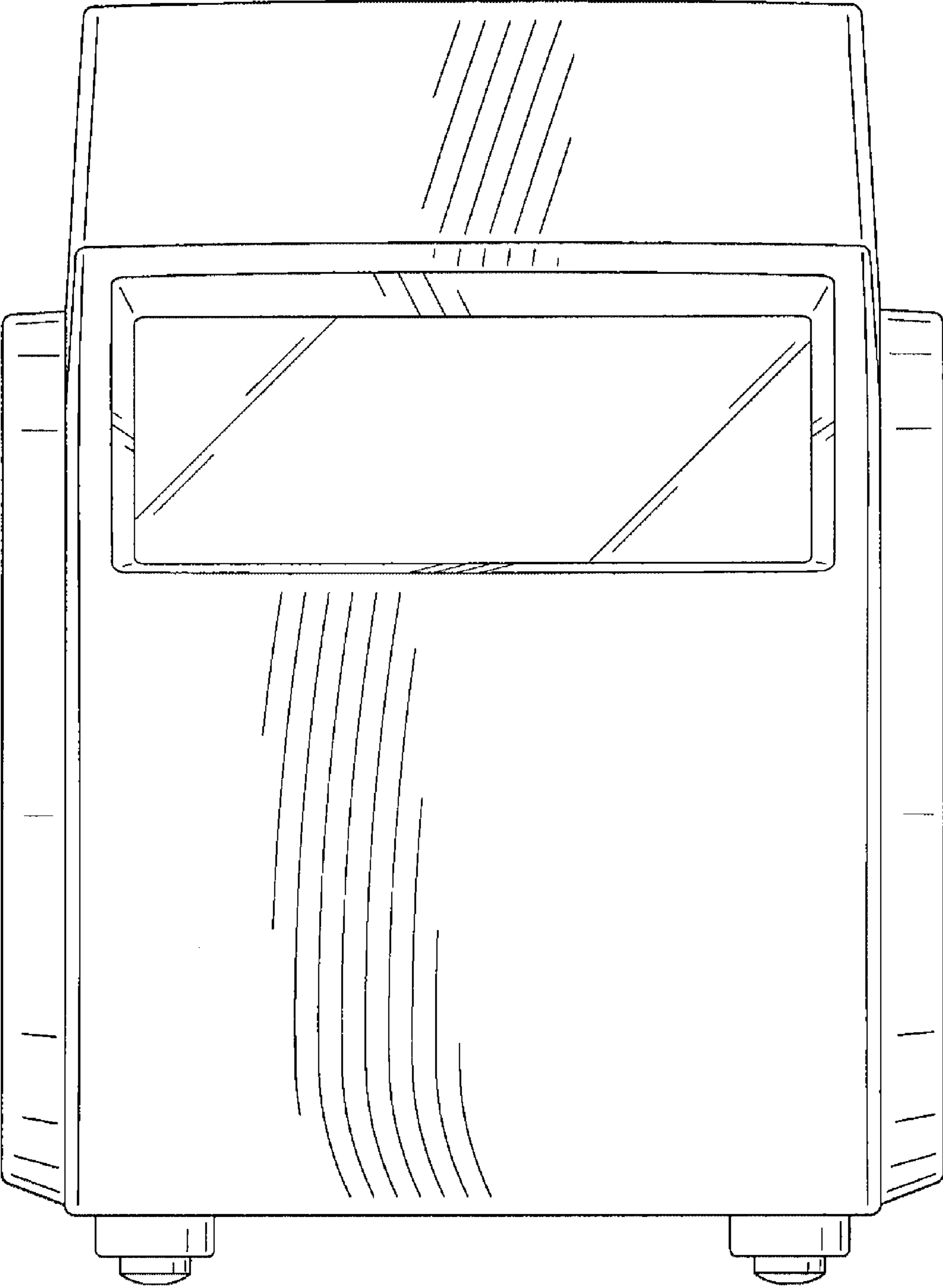


FIG.4

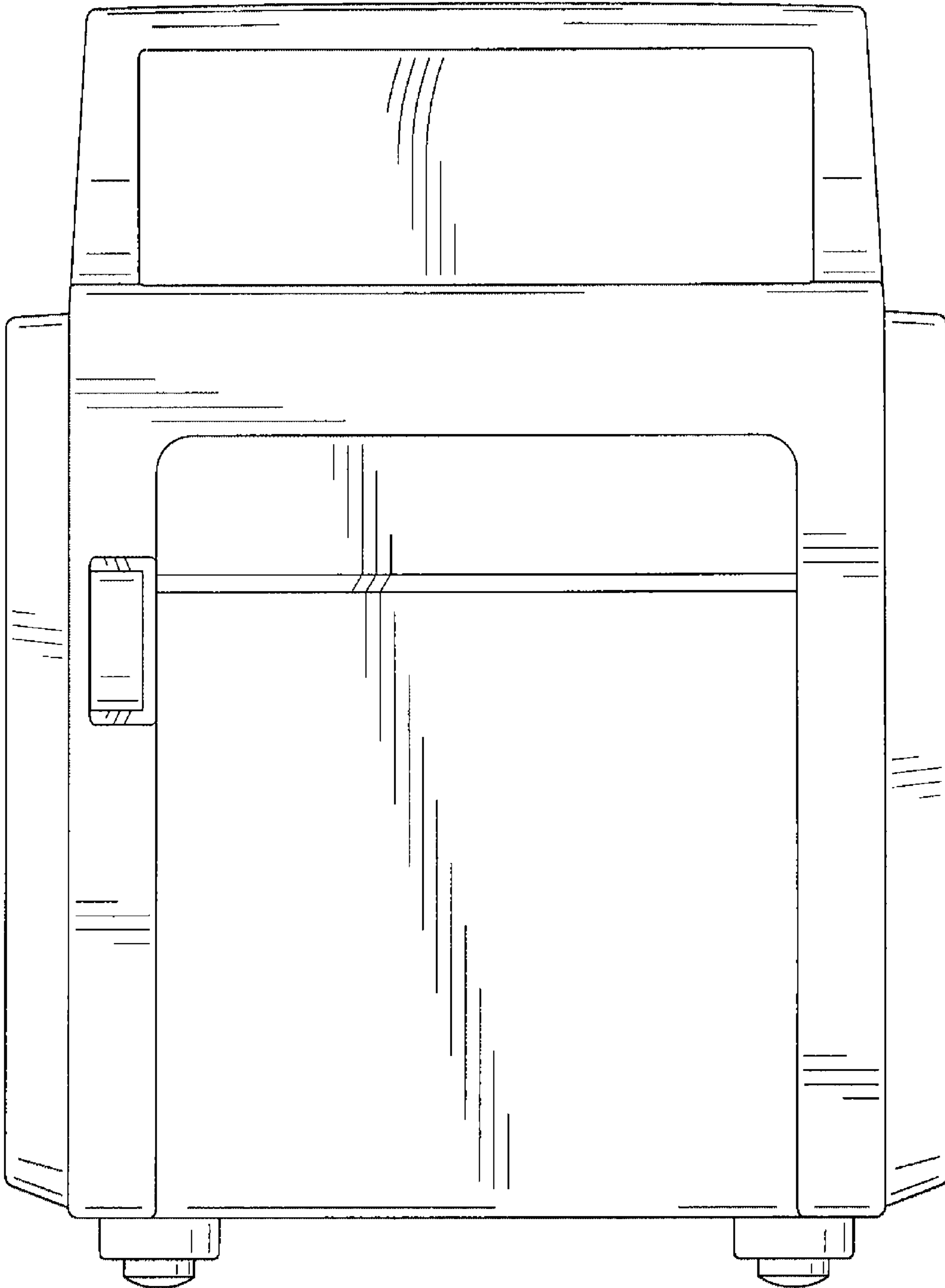


FIG.5

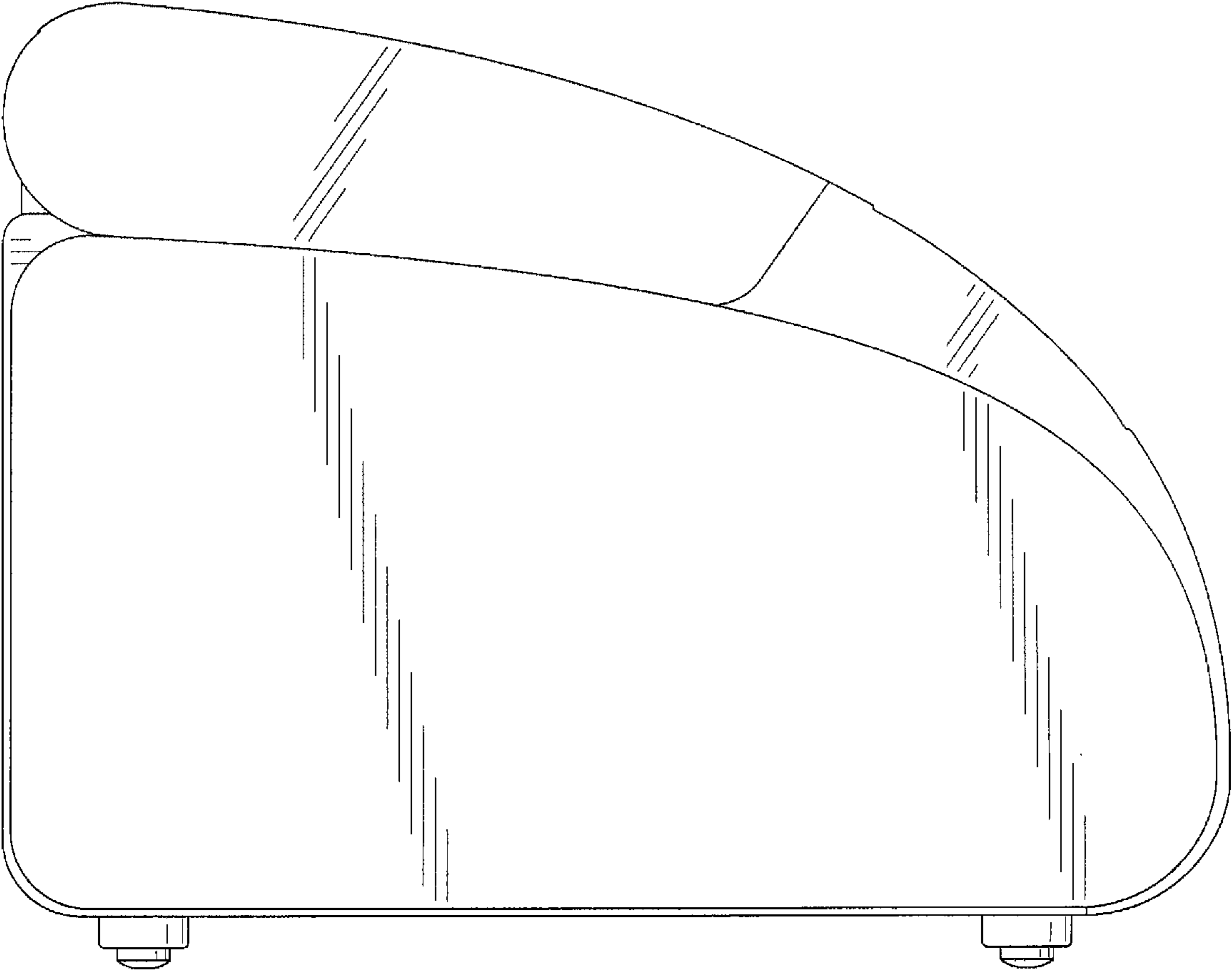


FIG.6

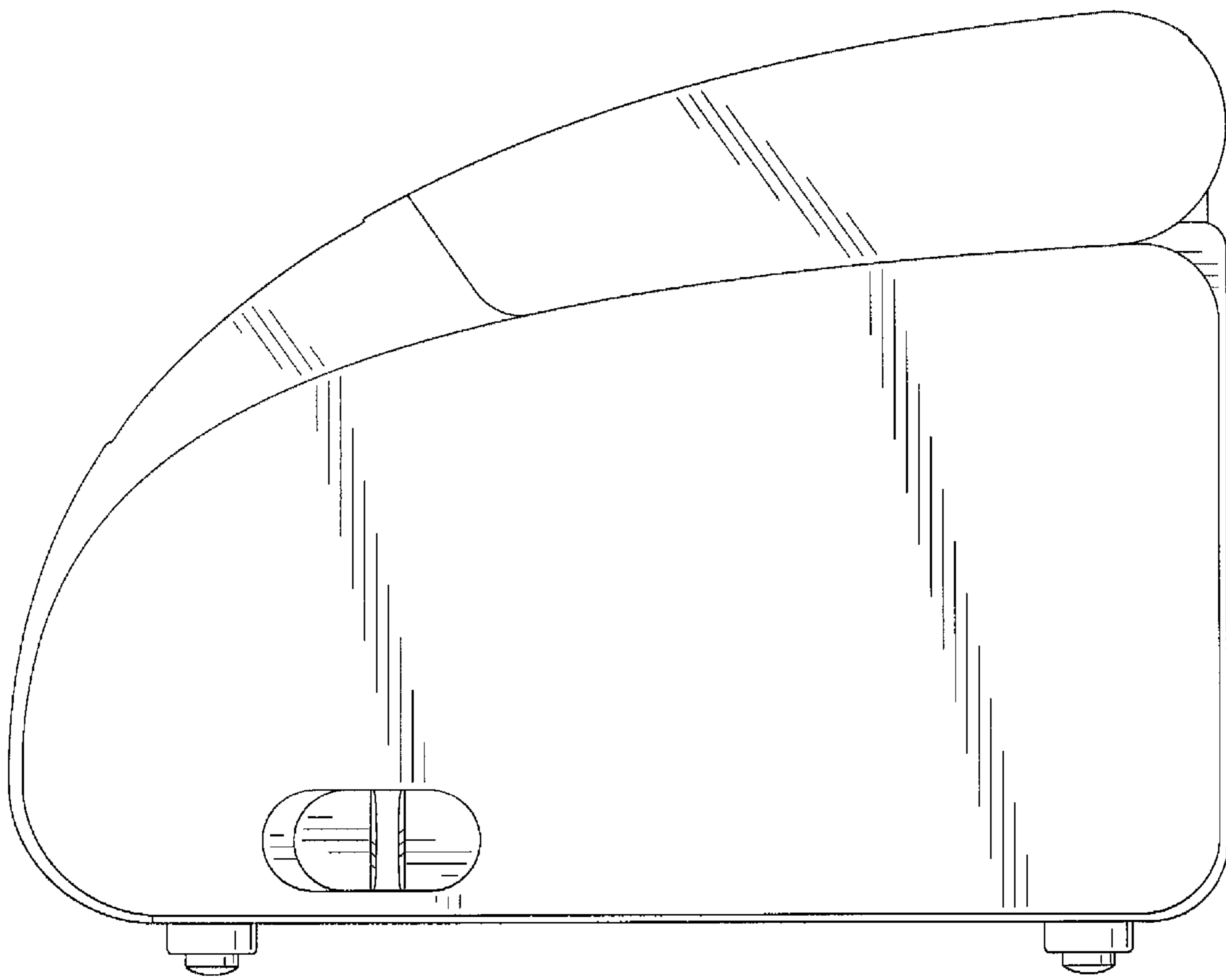


FIG.7

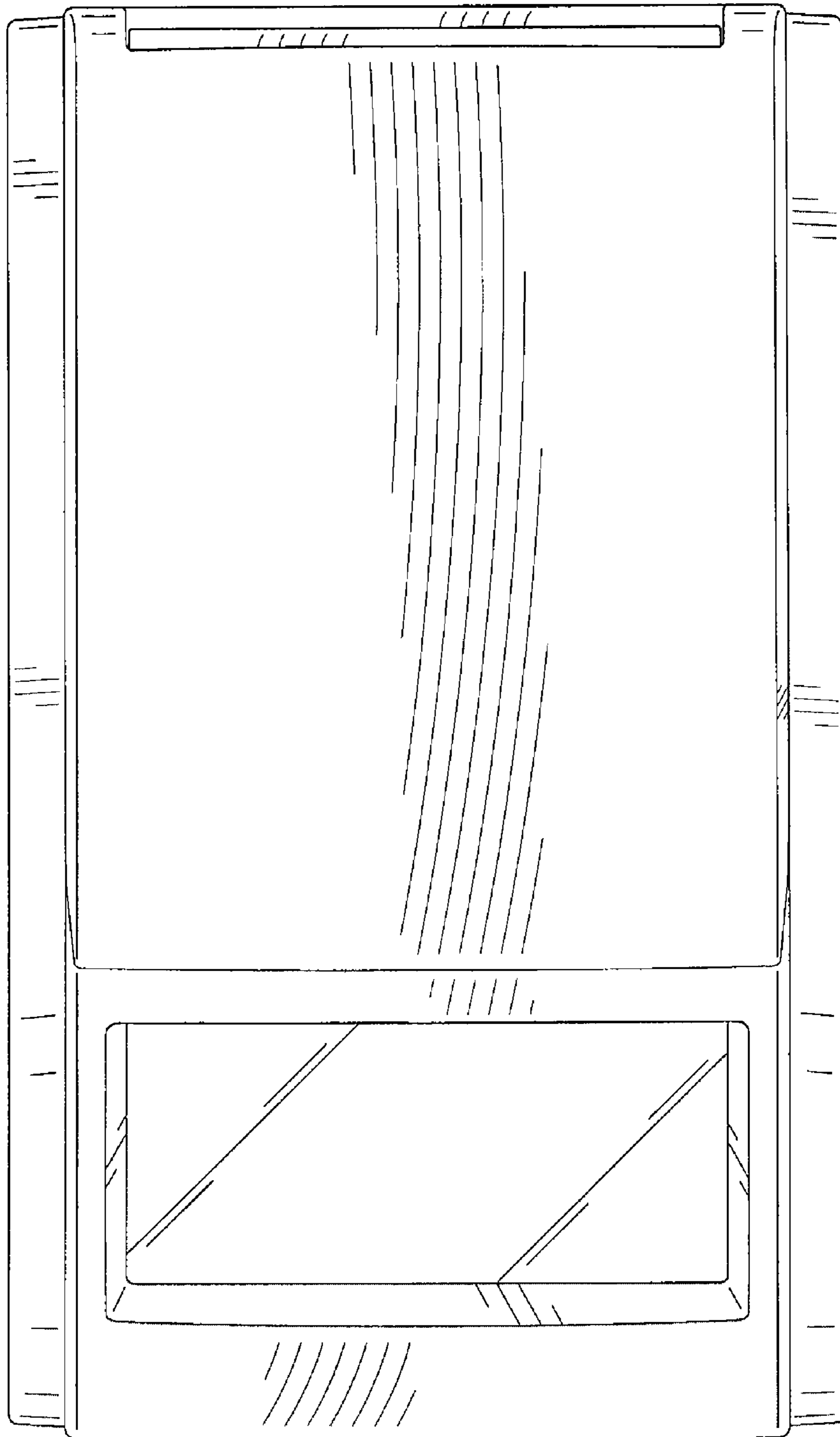


FIG.8

