



US00D644543S

(12) **United States Design Patent**
Henne et al.

(10) **Patent No.:** **US D644,543 S**
(45) **Date of Patent:** **** Sep. 6, 2011**

(54) **ELECTRONIC DEVICE**

(75) Inventors: **Peter J. Henne**, Overland Park, KS (US); **Jonathan R. Hosler**, Overland Park, KS (US); **Kathryn M. Gutschenritter**, Overland Park, KS (US)

(73) Assignee: **Garmin Switzerland GmbH** (CH)

(**) Term: **14 Years**

(21) Appl. No.: **29/389,446**

(22) Filed: **Apr. 12, 2011**

(51) **LOC (9) Cl.** **10-04**

(52) **U.S. Cl.** **D10/65**

(58) **Field of Classification Search** D10/65;
D14/341, 344, 507, 138 R, 138 AA, 203.3,
D14/203.4, 203.5, 203.7, 217, 137, 138 AB;
342/306, 351, 419, 457, 357.2-357.77; 343/702;
345/87, 104, 133, 156, 168, 173, 901-905;
348/180, 184, 315, 739; 364/444, 499;
701/206-209, 213, 214; 455/66.1, 404.2,
455/415, 456.1

See application file for complete search history.

(56) **References Cited**

U.S. PATENT DOCUMENTS

D594,358 S	6/2009	Lammers-Meis et al.	10/65
D596,513 S	7/2009	Lammers-Meis et al.	10/65
D611,366 S *	3/2010	Register et al.	D10/65
D632,984 S *	2/2011	Register et al.	D10/65

OTHER PUBLICATIONS

Garmin Colorado Images, published Jan. 3, 2008.
SatMap Active10, published prior to Apr. 12, 2011.
MyNav 600 Pro, published prior to Apr. 12, 2011.

* cited by examiner

Primary Examiner — Antoine D Davis

(74) *Attorney, Agent, or Firm* — Samuel M. Korte

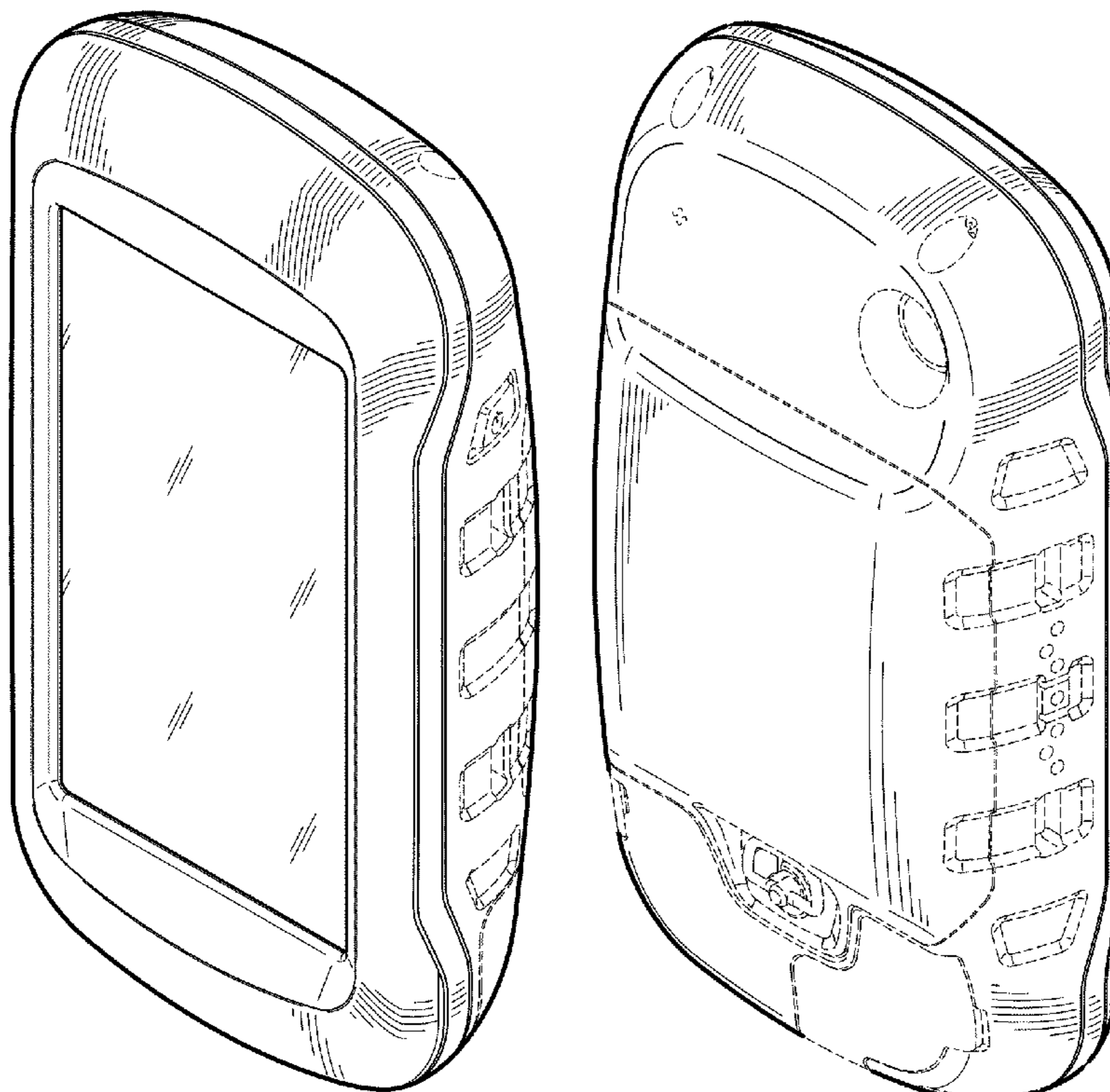
(57) **CLAIM**

The ornamental design for an electronic device, as shown and described.

DESCRIPTION

FIG. 1 is a front perspective view of an electronic device according to embodiments of the present invention; FIG. 2 is a rear perspective view of the electronic device; FIG. 3 is a top view of the electronic device; FIG. 4 is a front view of the electronic device; FIG. 5 is a rear view of the electronic device; FIG. 6 is a bottom view of the electronic device; FIG. 7 is a left side view of the electronic device; and, FIG. 8 is a right side view of the electronic device. Portions of FIGS. 1 through 8 are shown in dashed lines for illustrative purposes only and form no part of the claimed design.

1 Claim, 4 Drawing Sheets



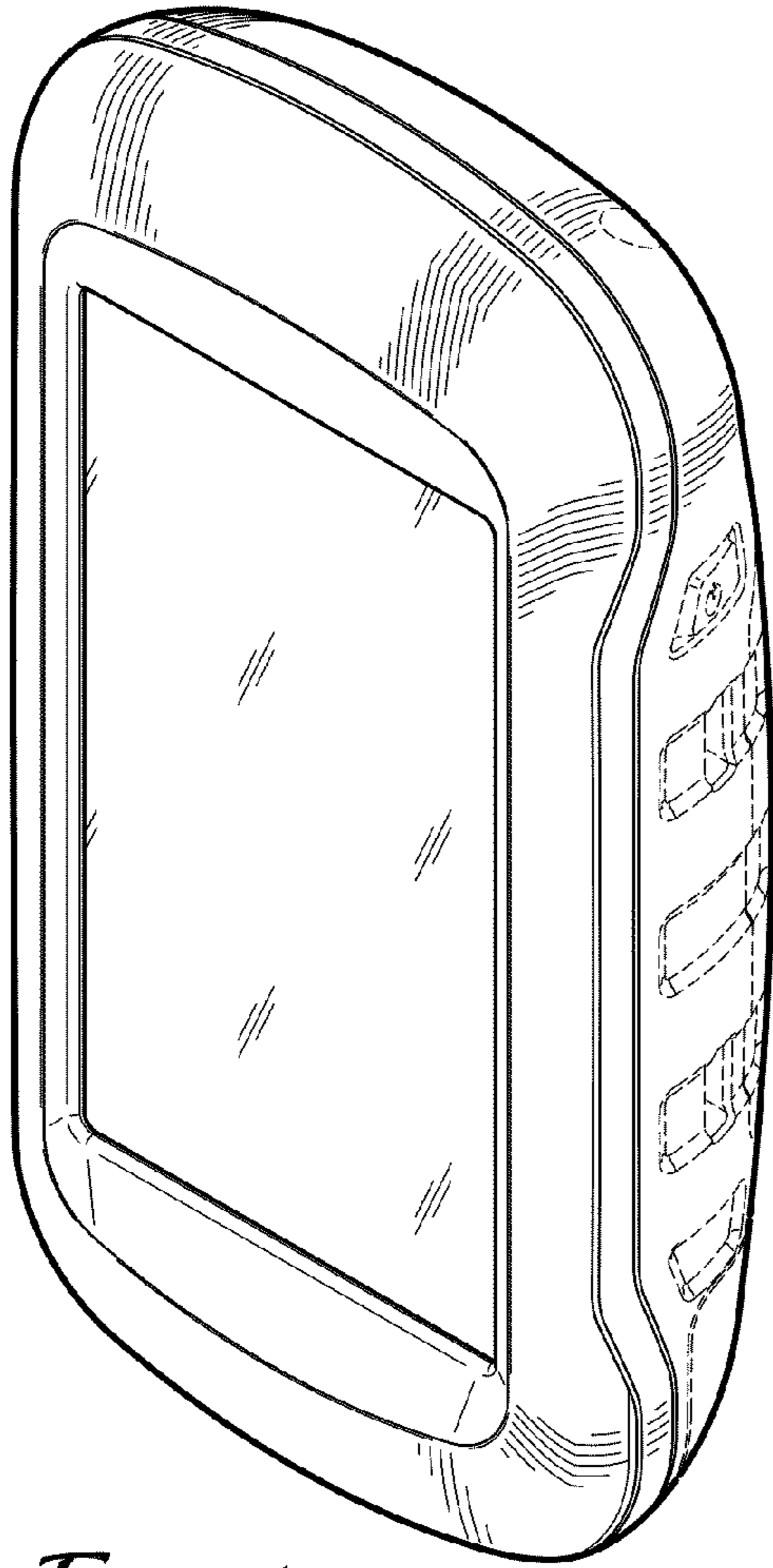


Fig. 1

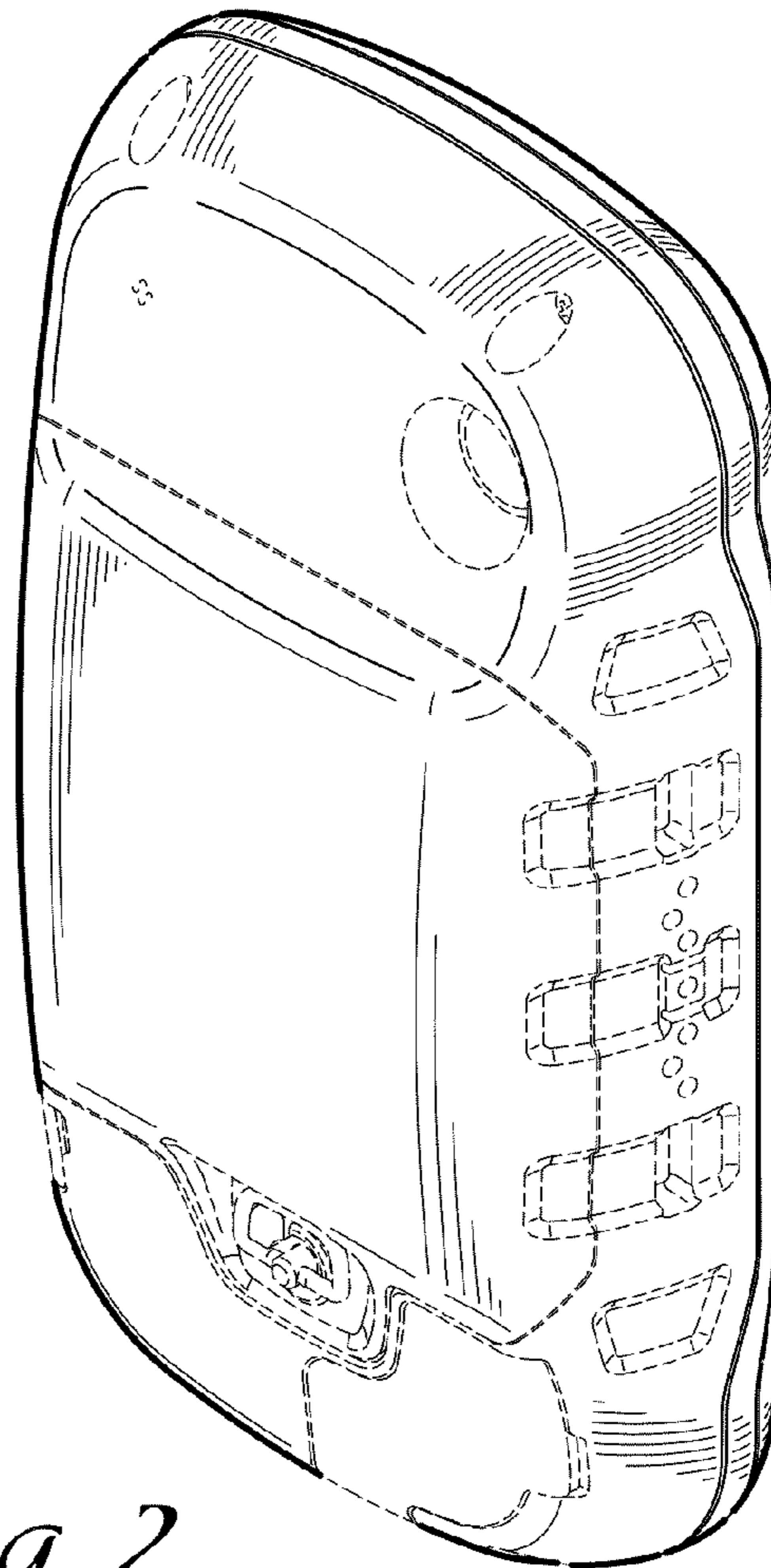


Fig. 2

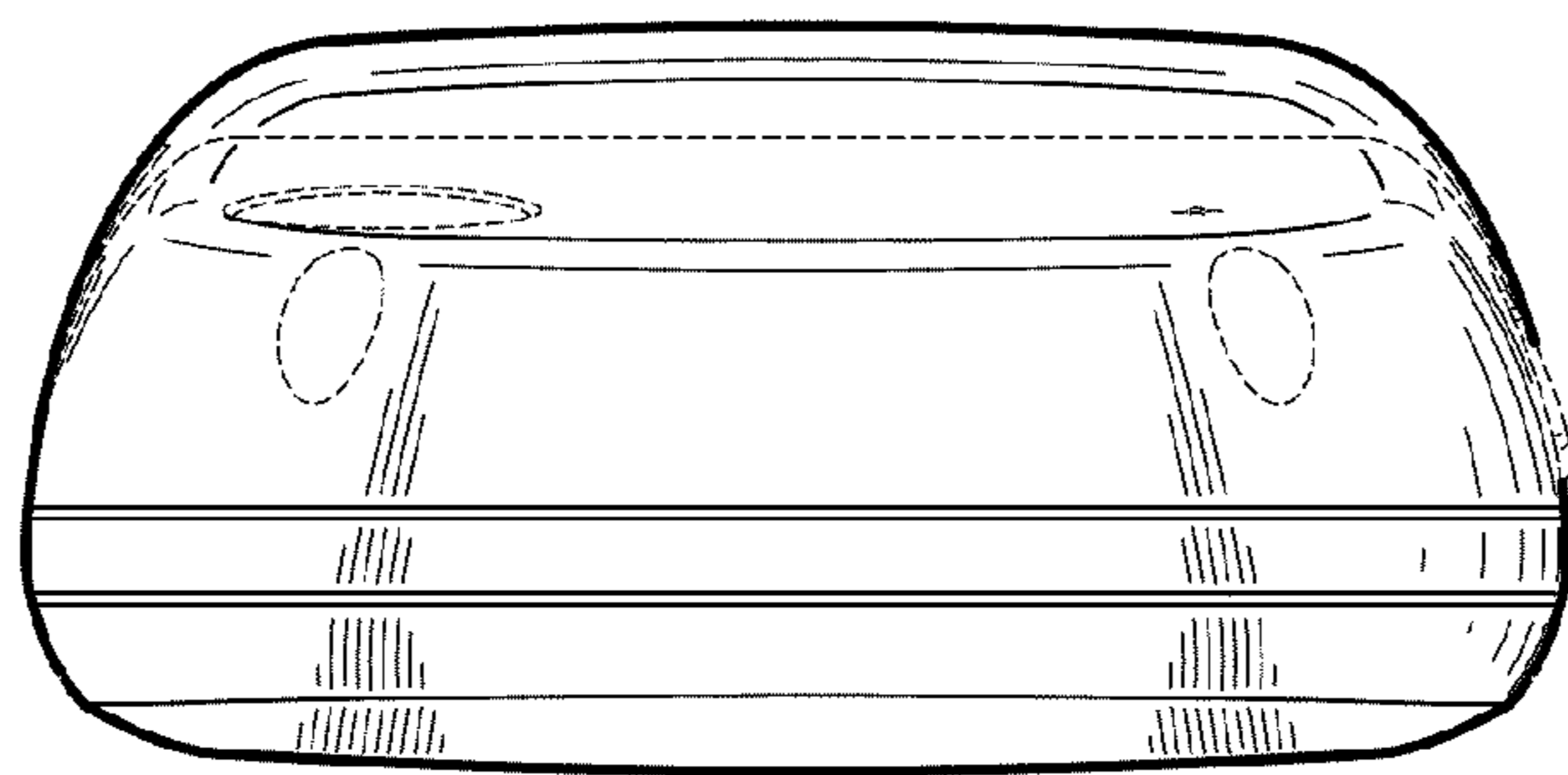


Fig. 3

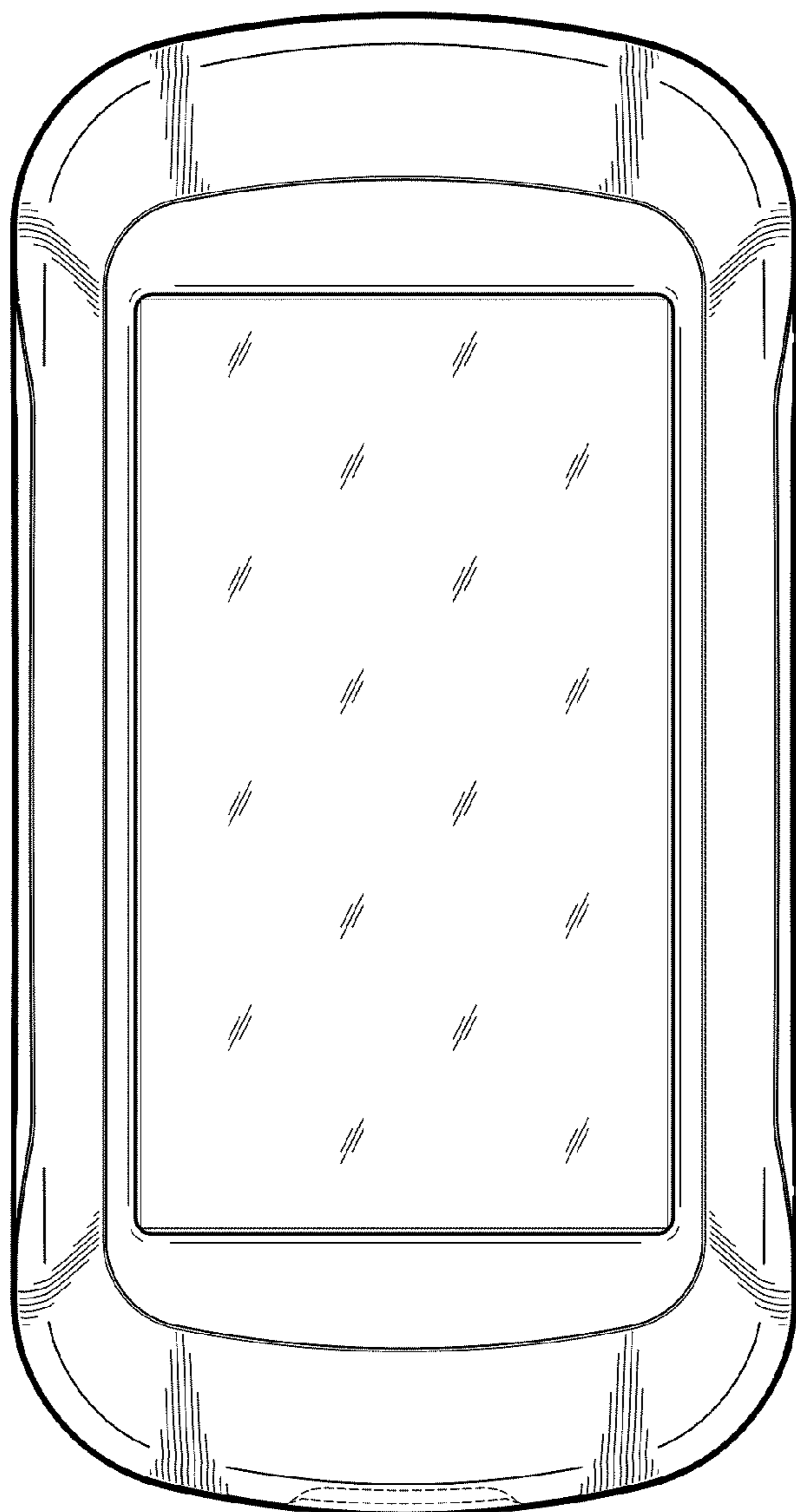


Fig. 4

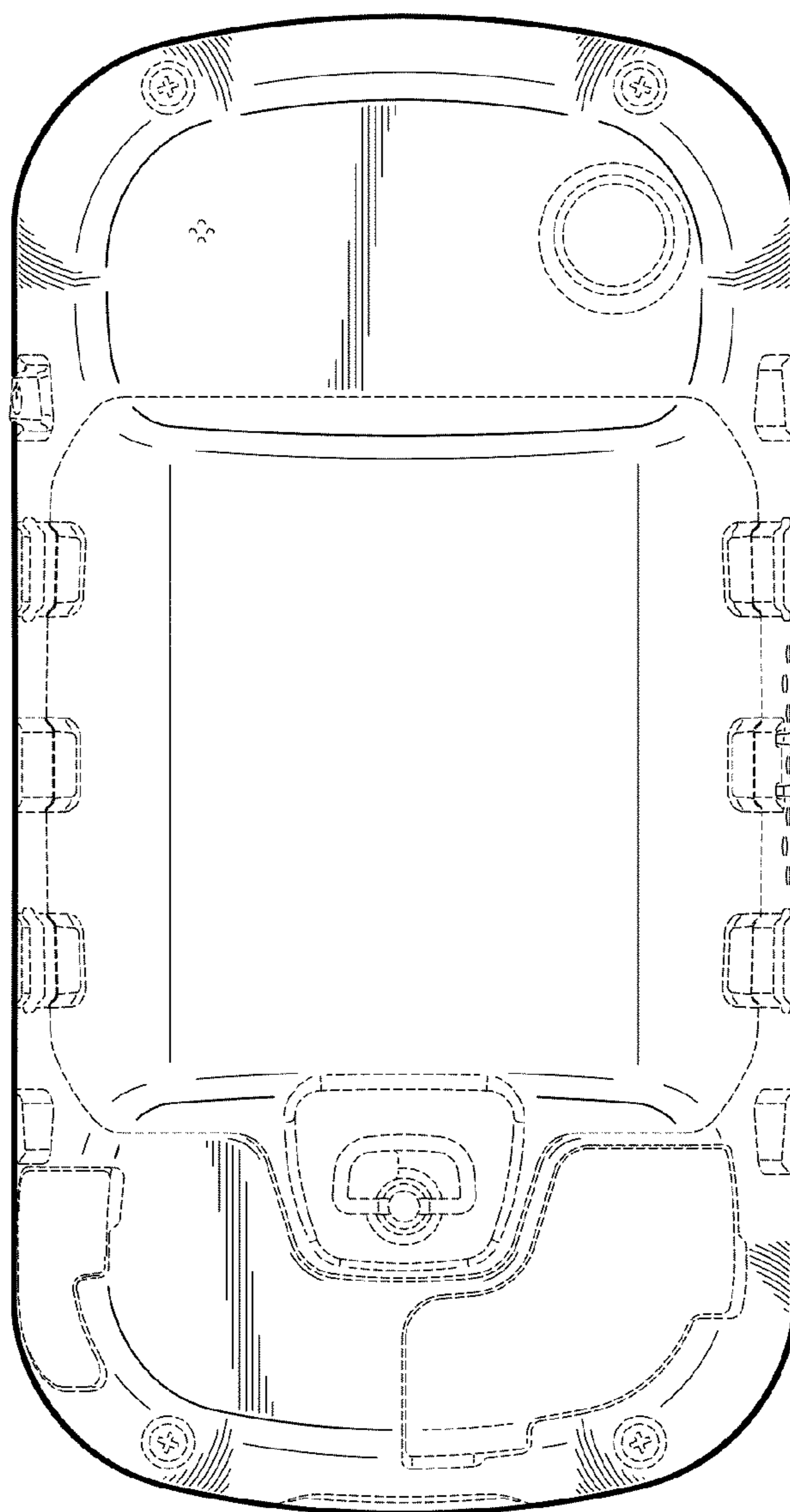


Fig. 5

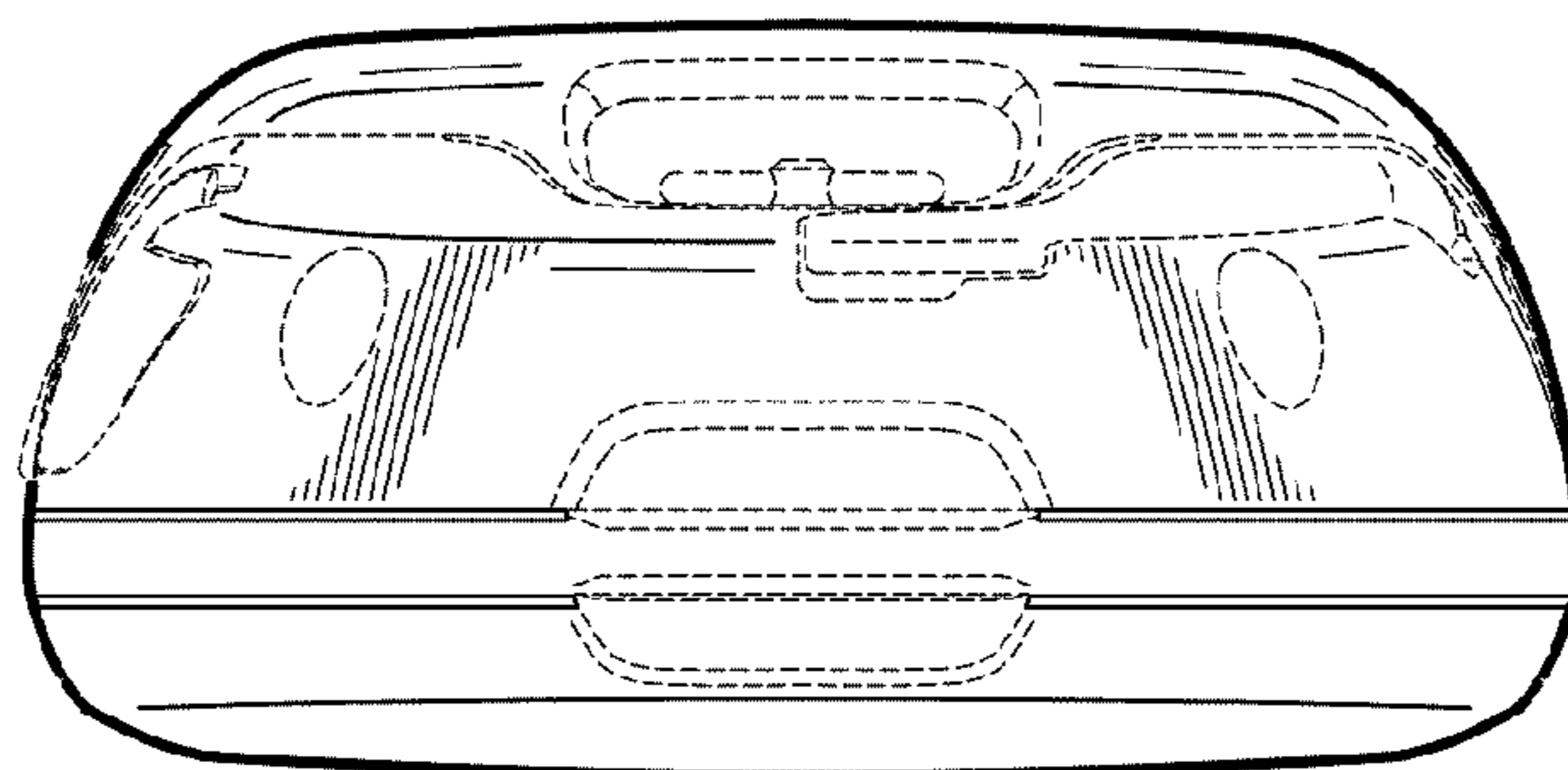


Fig. 6

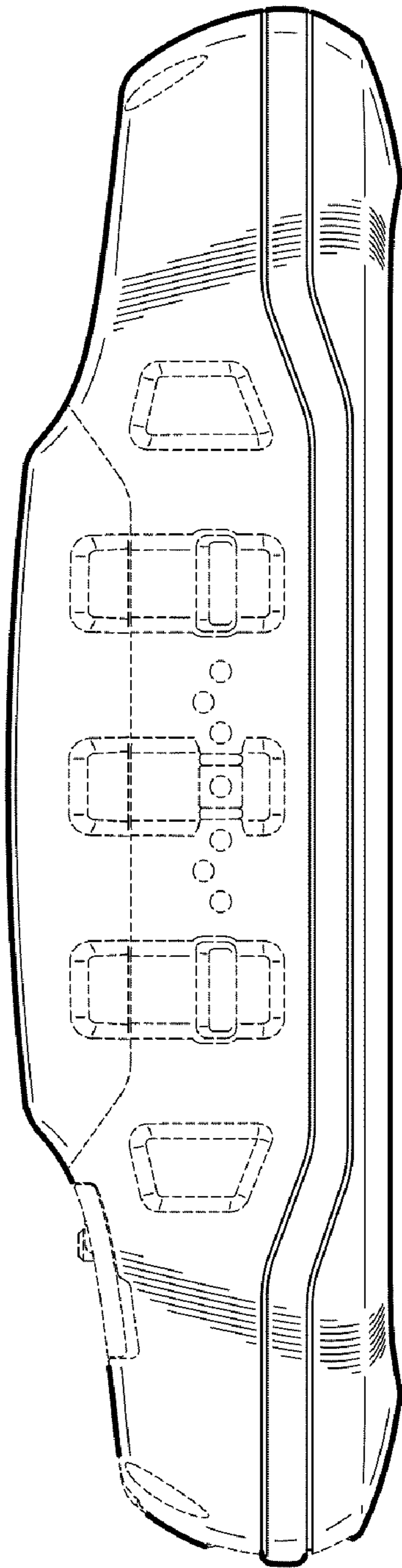


Fig. 7

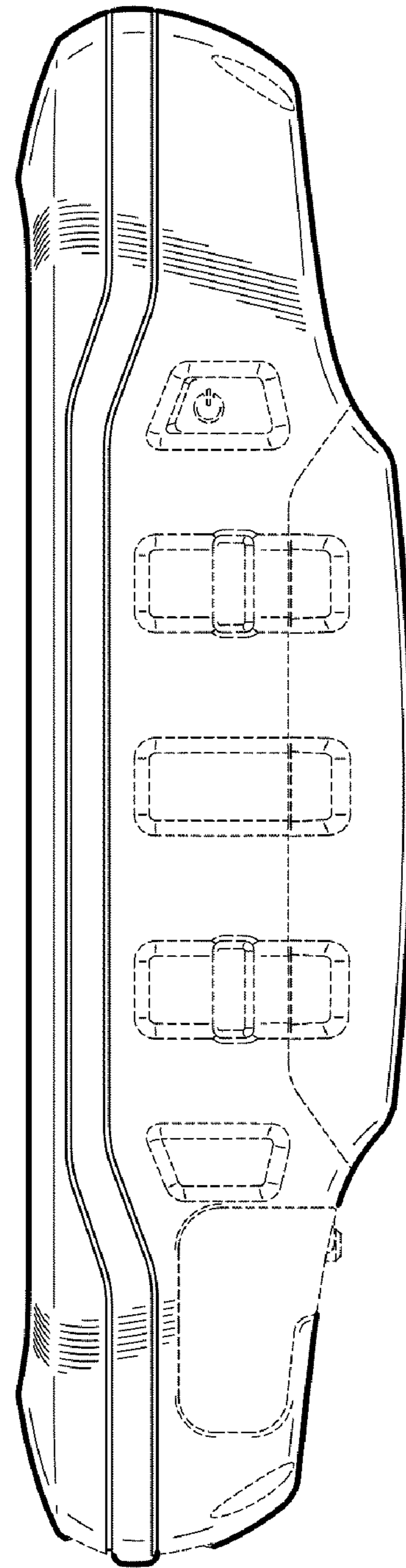


Fig. 8