

US00D644540S

(12) **United States Design Patent**
Iler

(10) **Patent No.:** **US D644,540 S**

(45) **Date of Patent:** **** Sep. 6, 2011**

(54) **SPORTS BALL DESIGN SCOREBOARD**

(76) Inventor: **Scott A. Iler**, O'Fallon, IL (US)

(**) Term: **14 Years**

(21) Appl. No.: **29/385,462**

(22) Filed: **Feb. 14, 2011**

(51) **LOC (9) Cl.** **21-01**

(52) **U.S. Cl.** **D10/46.1**

(58) **Field of Classification Search** D21/324-328;
D10/46.1; 116/222-225; 235/90, 1 B
See application file for complete search history.

(56) **References Cited**

U.S. PATENT DOCUMENTS

2,828,712	A *	4/1958	Tootle	116/317
D200,477	S *	3/1965	Mackin	D10/46.1
3,730,131	A *	5/1973	Izzo	116/223
3,905,547	A *	9/1975	Cyre et al.	235/90
D310,493	S *	9/1990	Coffee	D10/46.1
D333,440	S *	2/1993	Matheson-Thomas	D10/46.1

D449,544	S *	10/2001	Liu	D10/46.1
D574,269	S *	8/2008	Cowen et al.	D10/46.1
7,628,315	B2 *	12/2009	Duncan	235/127

* cited by examiner

Primary Examiner — Prabhakar Deshmukh

(74) *Attorney, Agent, or Firm* — Kevin L. Klug

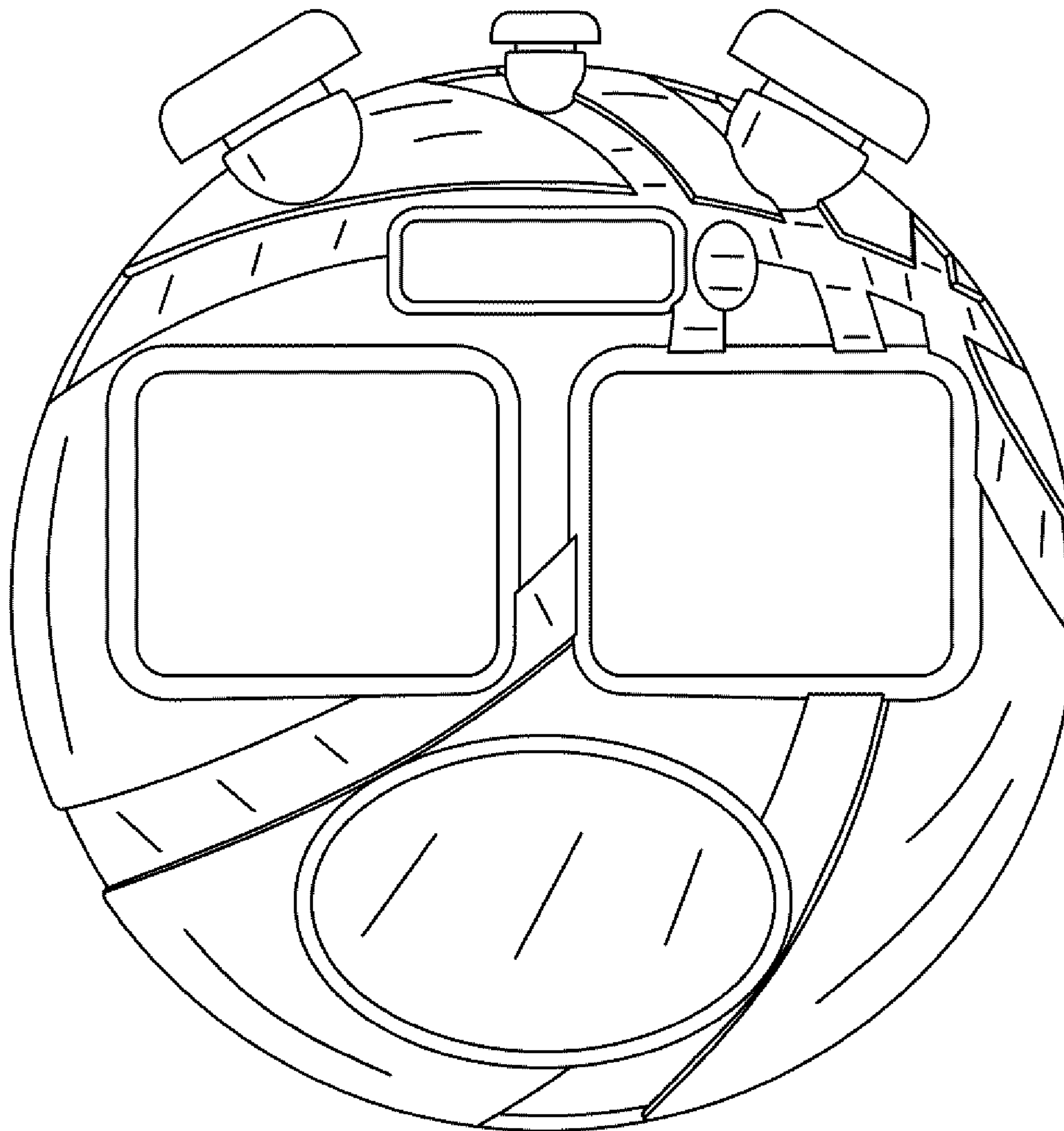
(57) **CLAIM**

The ornamental design for a sports ball design scoreboard, as shown and described.

DESCRIPTION

FIG. 1 is a front elevation view a sports ball design scoreboard, showing my new design;
FIG. 2 is a rear elevation view thereof;
FIG. 3 is a right side elevation view thereof;
FIG. 4 is a left side elevation view thereof;
FIG. 5 is a top plan view thereof; and,
FIG. 6 is a bottom plan view thereof.

1 Claim, 3 Drawing Sheets



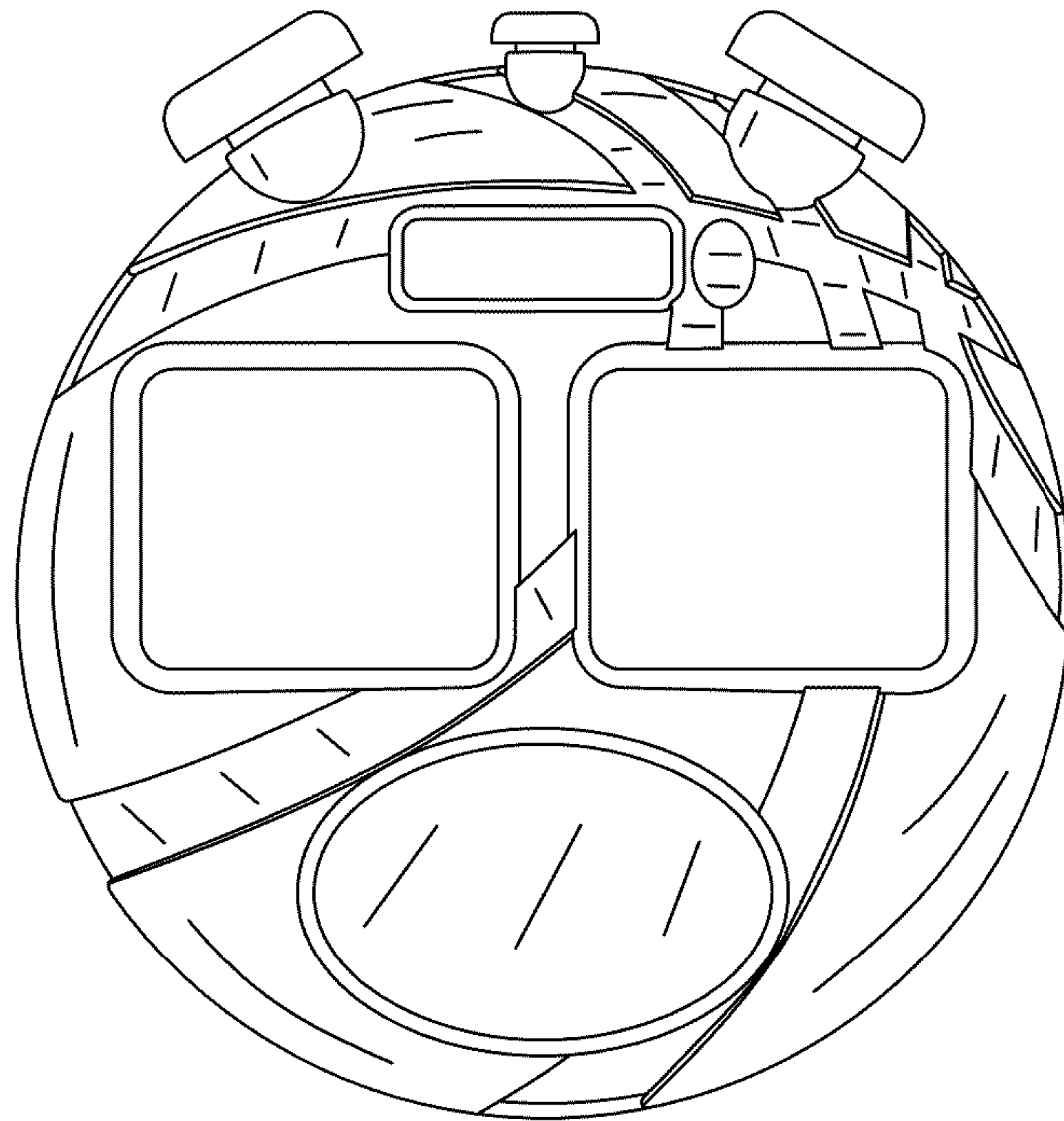


Fig. 1

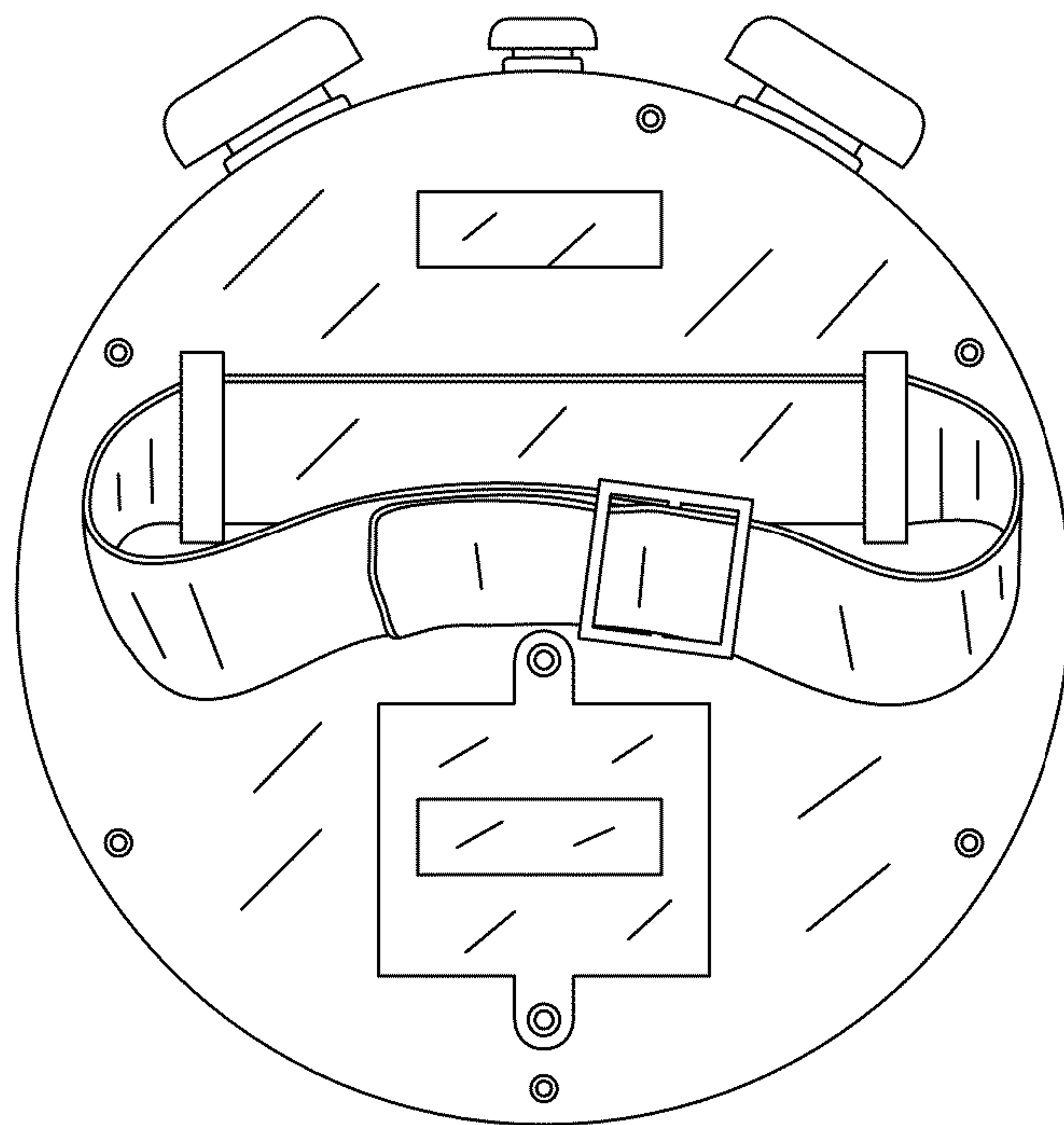


Fig. 2

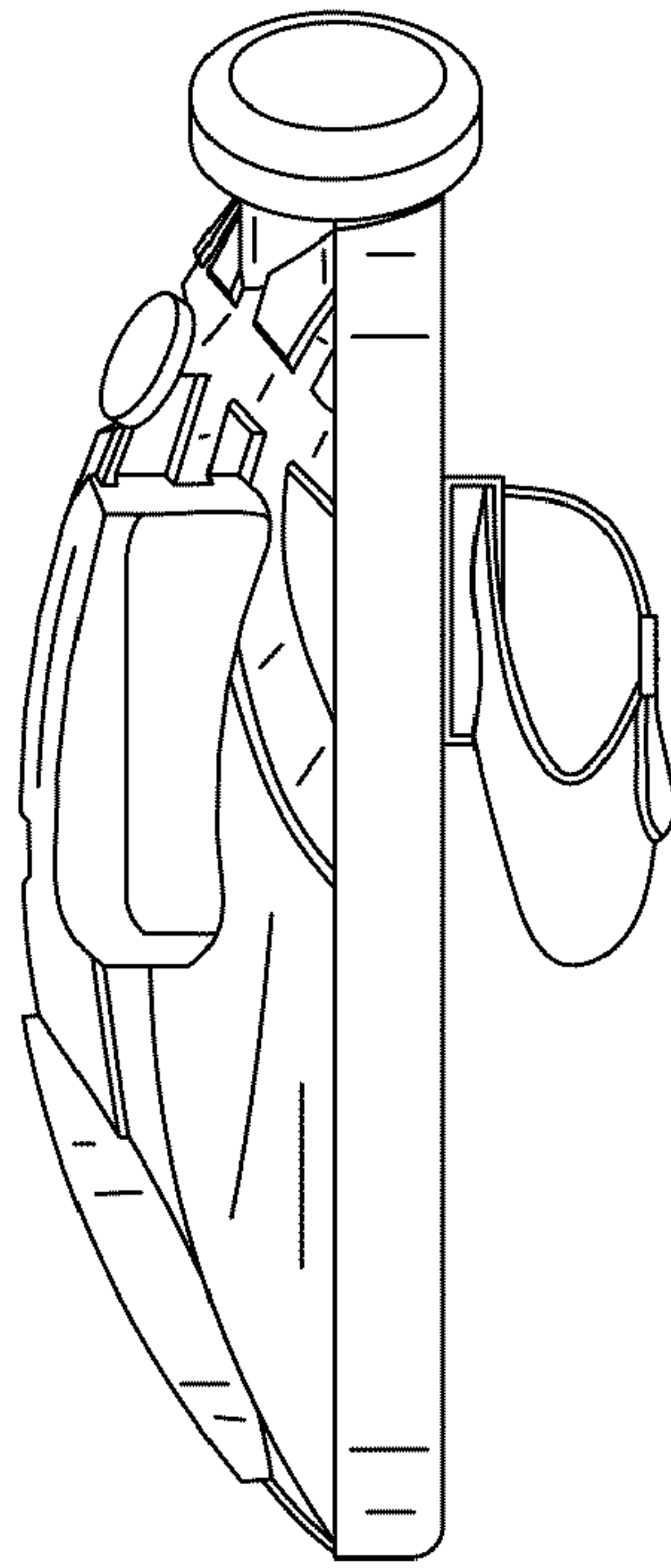


Fig. 3

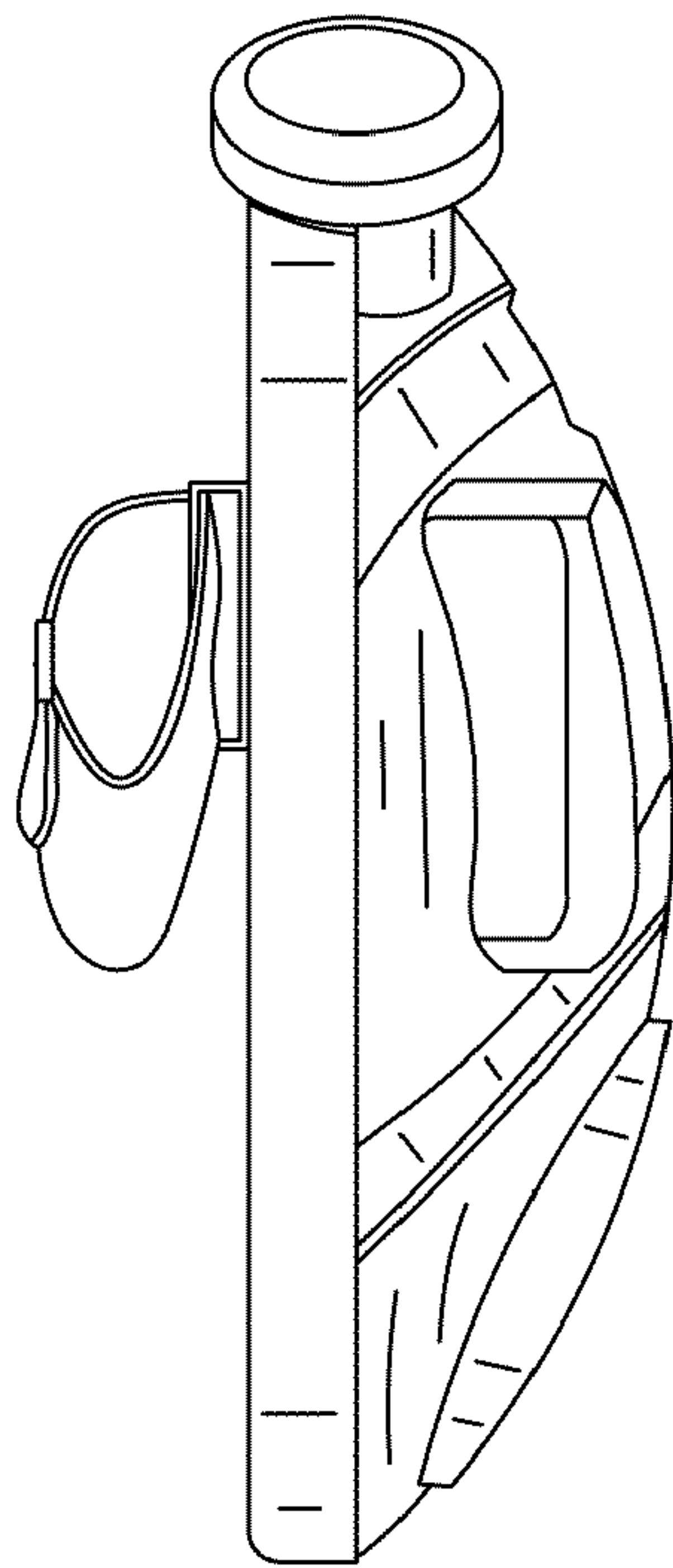


Fig. 4

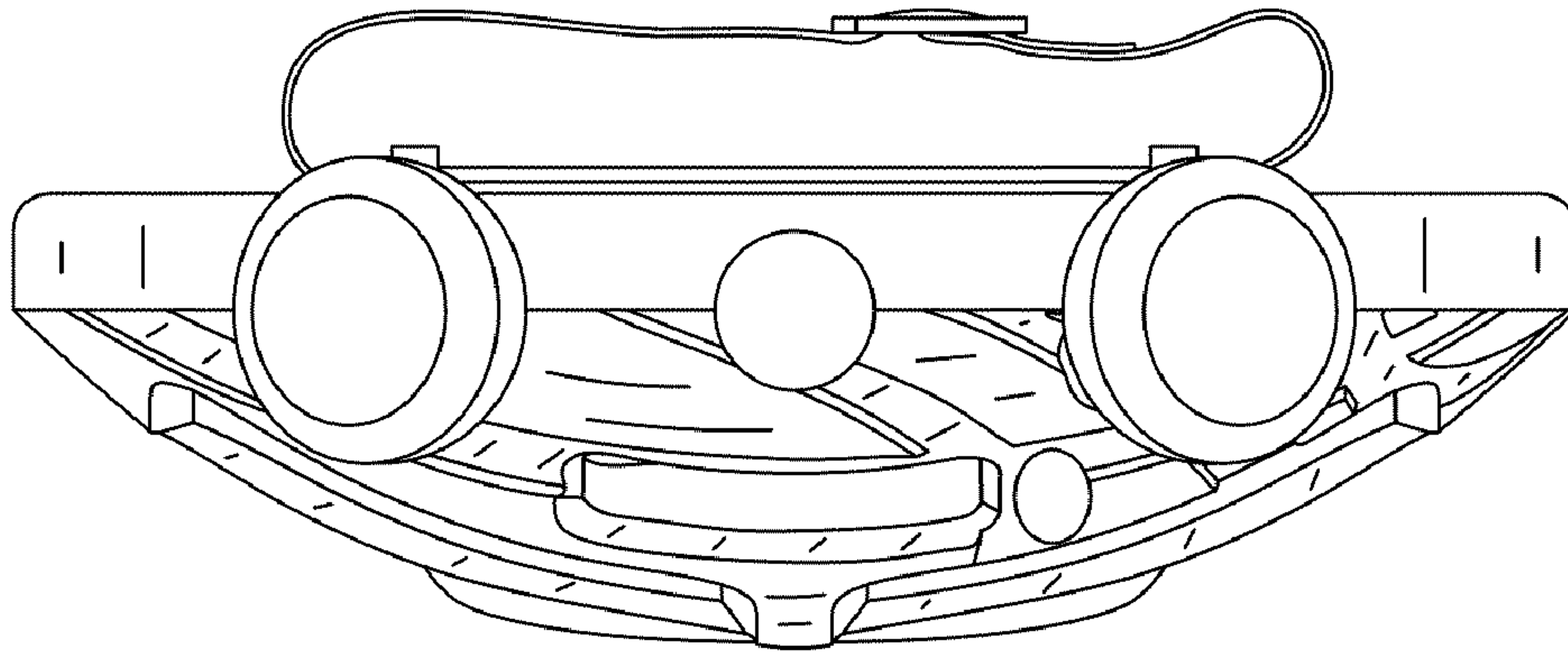


Fig. 5

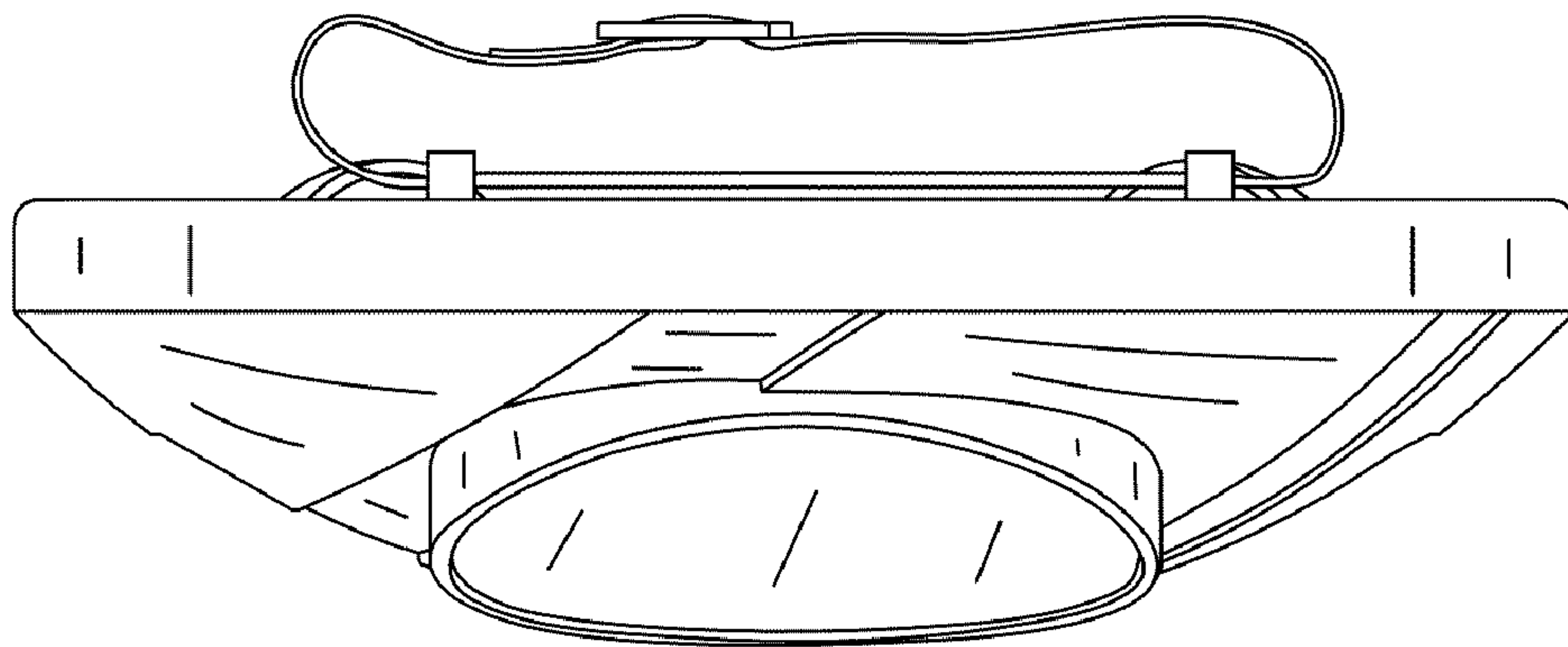


Fig. 6