

US00D644539S

(12) **United States Design Patent**
Calce

(10) **Patent No.:** **US D644,539 S**

(45) **Date of Patent:** **** Sep. 6, 2011**

(54) **WRISTWATCH**

(75) Inventor: **Antonio Calce**, Bole (CH)

(73) Assignee: **Montres Corum Sàrl**, La Chaux-De-Fonds (CH)

(**) Term: **14 Years**

(21) Appl. No.: **29/342,822**

(22) Filed: **Sep. 1, 2009**

(30) **Foreign Application Priority Data**

Mar. 24, 2009 (CH) 135918

(51) **LOC (9) Cl.** **10-02**

(52) **U.S. Cl.** **D10/38**

(58) **Field of Classification Search** D10/30-39,
D10/122-132; 368/276, 281, 282, 285, 80,
368/223, 228, 232

See application file for complete search history.

(56) **References Cited**

U.S. PATENT DOCUMENTS

462,000	A	*	10/1891	Fellinger	368/81
D266,908	S	*	11/1982	Schwab et al.	D10/39
D266,909	S	*	11/1982	Schwab et al.	D10/39
D266,994	S	*	11/1982	Schwab et al.	D10/39
D267,931	S	*	2/1983	Schwab et al.	D10/39
D303,635	S	*	9/1989	Kurzina	D10/32
D381,588	S	*	7/1997	Weston	D10/32
D382,211	S	*	8/1997	Bodino	D10/30
D454,802	S	*	3/2002	Hegi	D10/39
D474,700	S	*	5/2003	Court	D10/39
D487,403	S	*	3/2004	Geockeritz et al.	D10/39
D490,716	S	*	6/2004	Peraldi	D10/30
D491,472	S	*	6/2004	Peraldi	D10/30
D493,727	S	*	8/2004	Lalo	D10/30

D498,683	S	*	11/2004	Arabov	D10/39
D500,684	S	*	1/2005	Peraldi	D10/39
D505,085	S	*	5/2005	Lalo	D10/30
D513,390	S	*	1/2006	Gueit	D10/39
D519,853	S	*	5/2006	Sirmakes	D10/32
D530,225	S	*	10/2006	Wunderman	D10/32
D530,229	S	*	10/2006	Wunderman	D10/32
D531,063	S	*	10/2006	Reginelli	D10/32
D532,318	S	*	11/2006	Bedat	D10/32
D533,087	S	*	12/2006	Arabo	D10/38
D570,230	S	*	6/2008	Monachon	D10/32
D614,973	S	*	5/2010	Takahashi	D10/32
D616,312	S	*	5/2010	Ellia	D10/39
D624,439	S	*	9/2010	Wunderman	D10/32
D624,440	S	*	9/2010	Wunderman	D10/32
D625,618	S	*	10/2010	Chastaingt	D10/38

* cited by examiner

Primary Examiner — Lucy Lieberman

(74) *Attorney, Agent, or Firm* — Sughrue Mion, PLLC

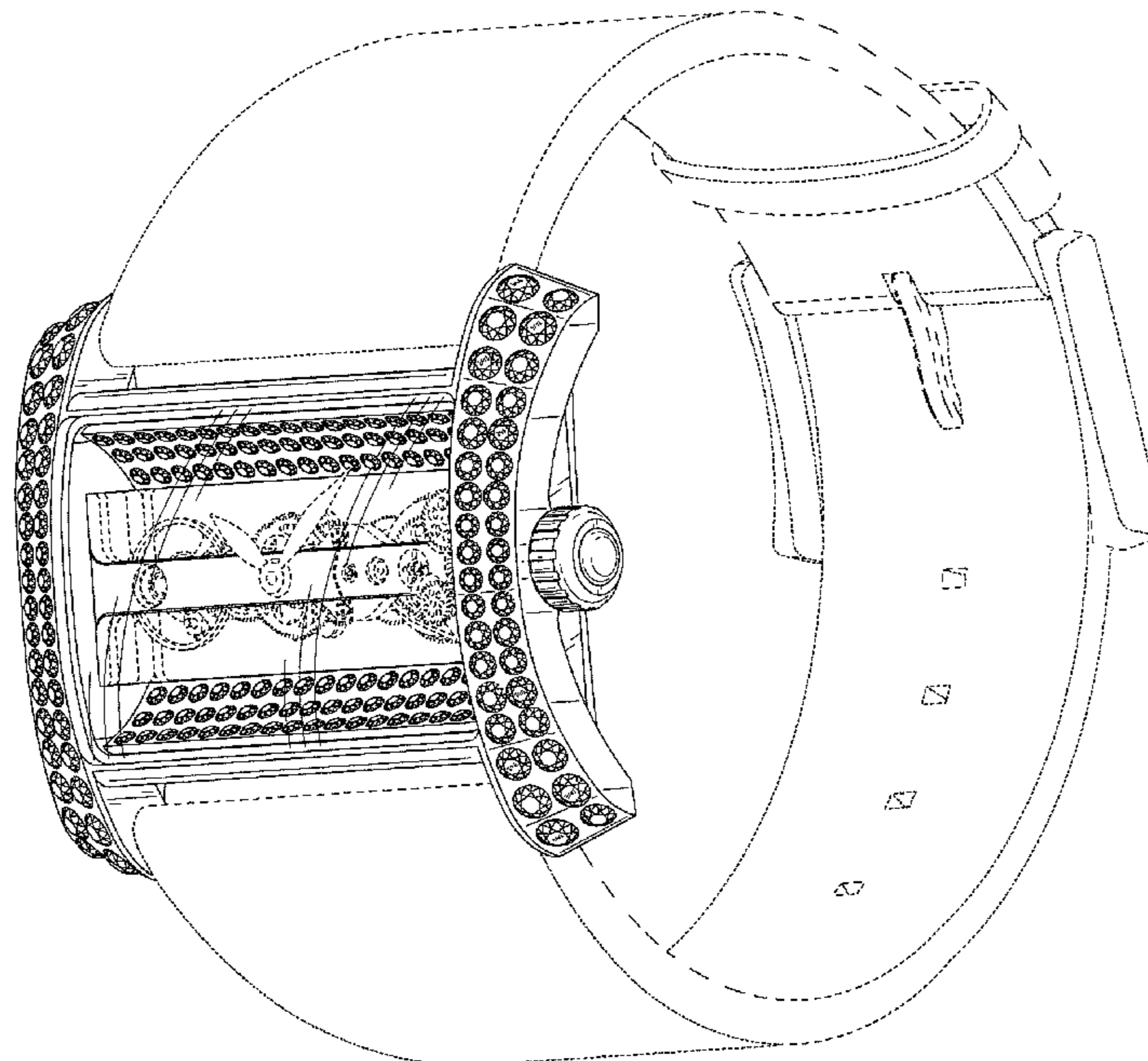
(57) **CLAIM**

The ornamental design for a wristwatch, as shown and described.

DESCRIPTION

FIG. 1 is a perspective view of the front and right side of a wristwatch showing my new design;
 FIG. 2 is a right side elevational view thereof;
 FIG. 3 is a left side elevational view thereof;
 FIG. 4 is a top plan view thereof;
 FIG. 5 is a bottom plan view thereof;
 FIG. 6 is a front elevational view thereof;
 FIG. 7 is a rear elevational view thereof; and,
 FIG. 8 is a perspective view of the rear and right side thereof.
 The broken lines in the drawings are used to show portions of the wristwatch, including the band, watch movement, and hands, that do not form part of the claimed design.

1 Claim, 8 Drawing Sheets



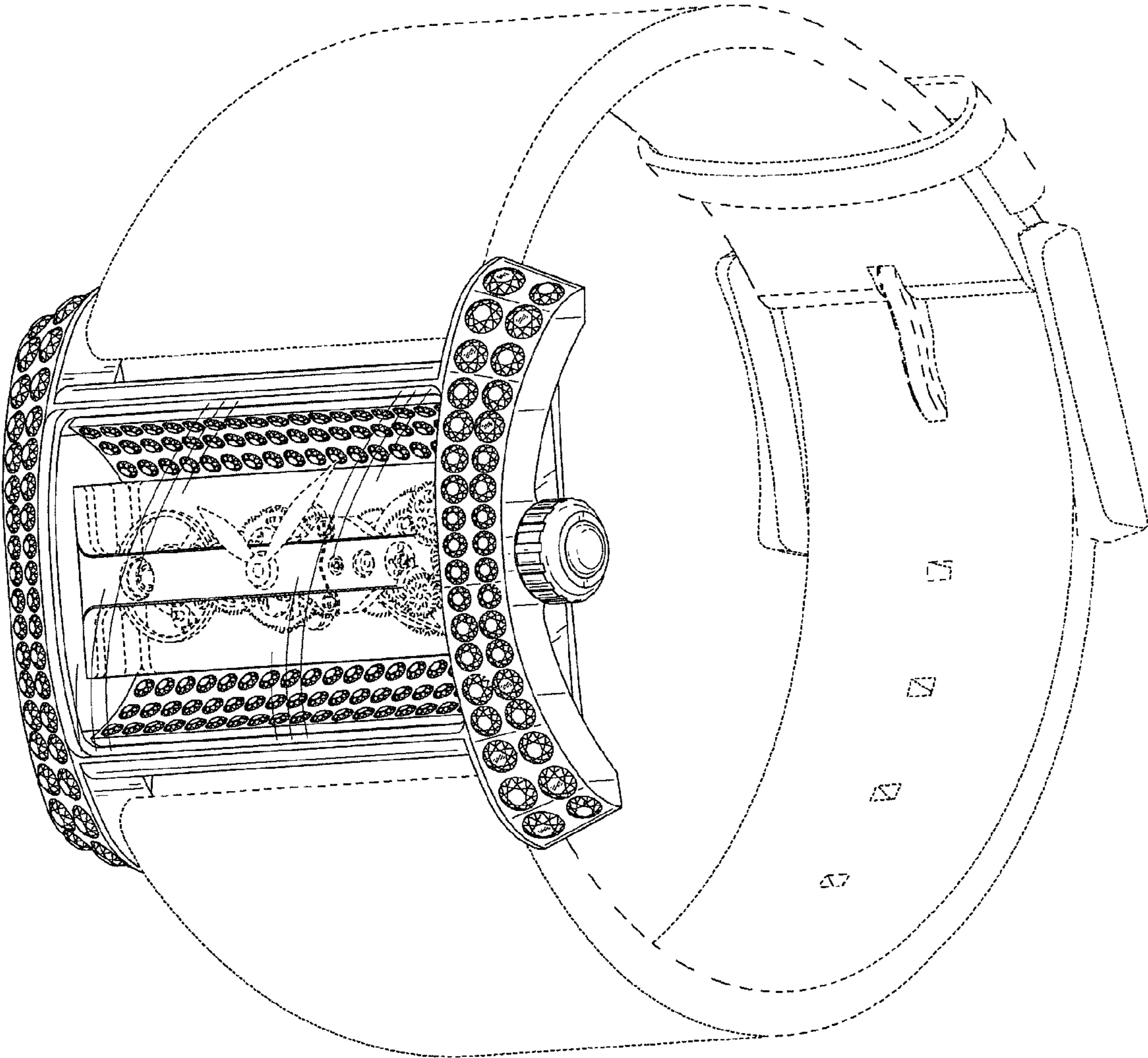


FIG. 1

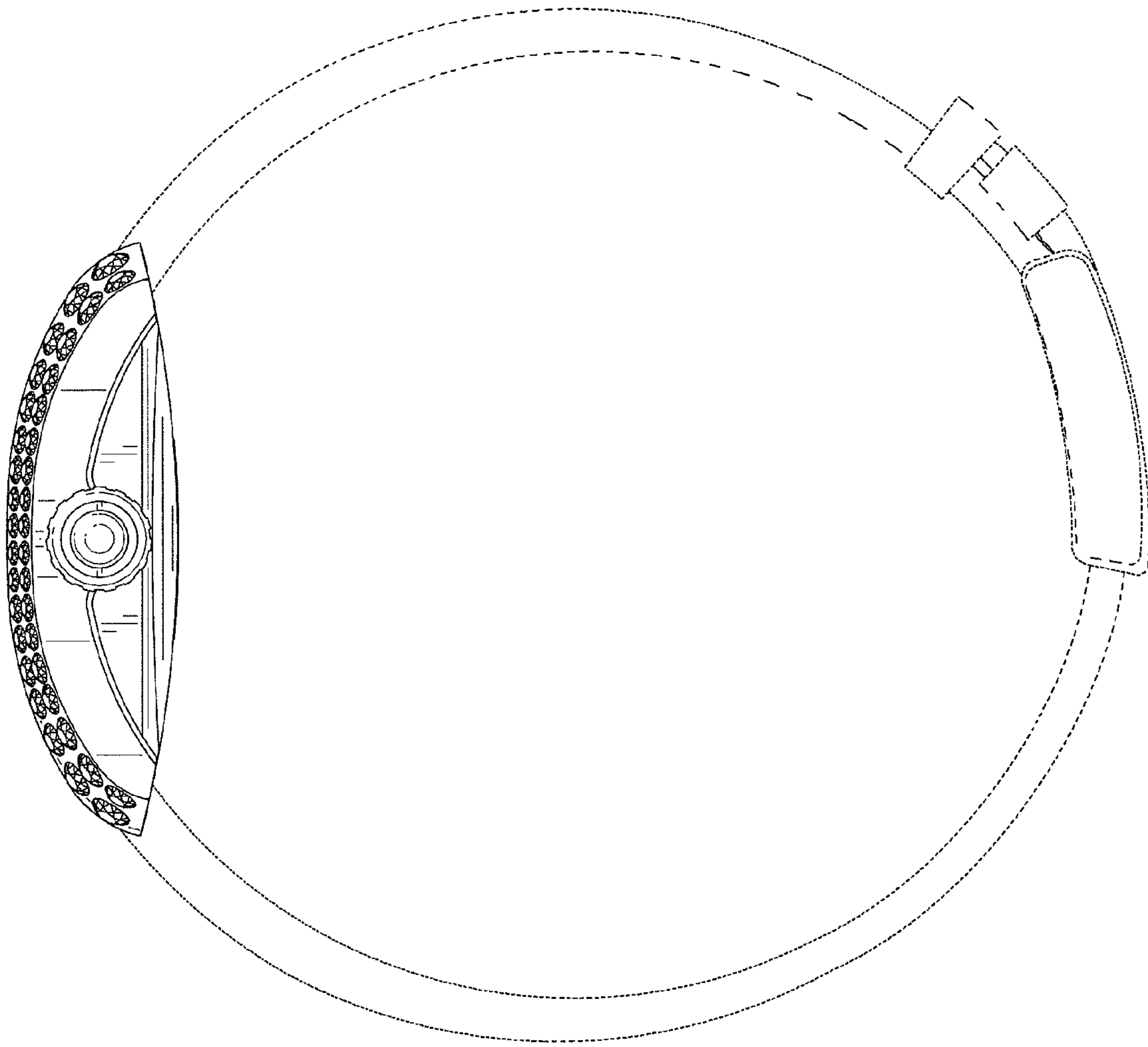


FIG. 2

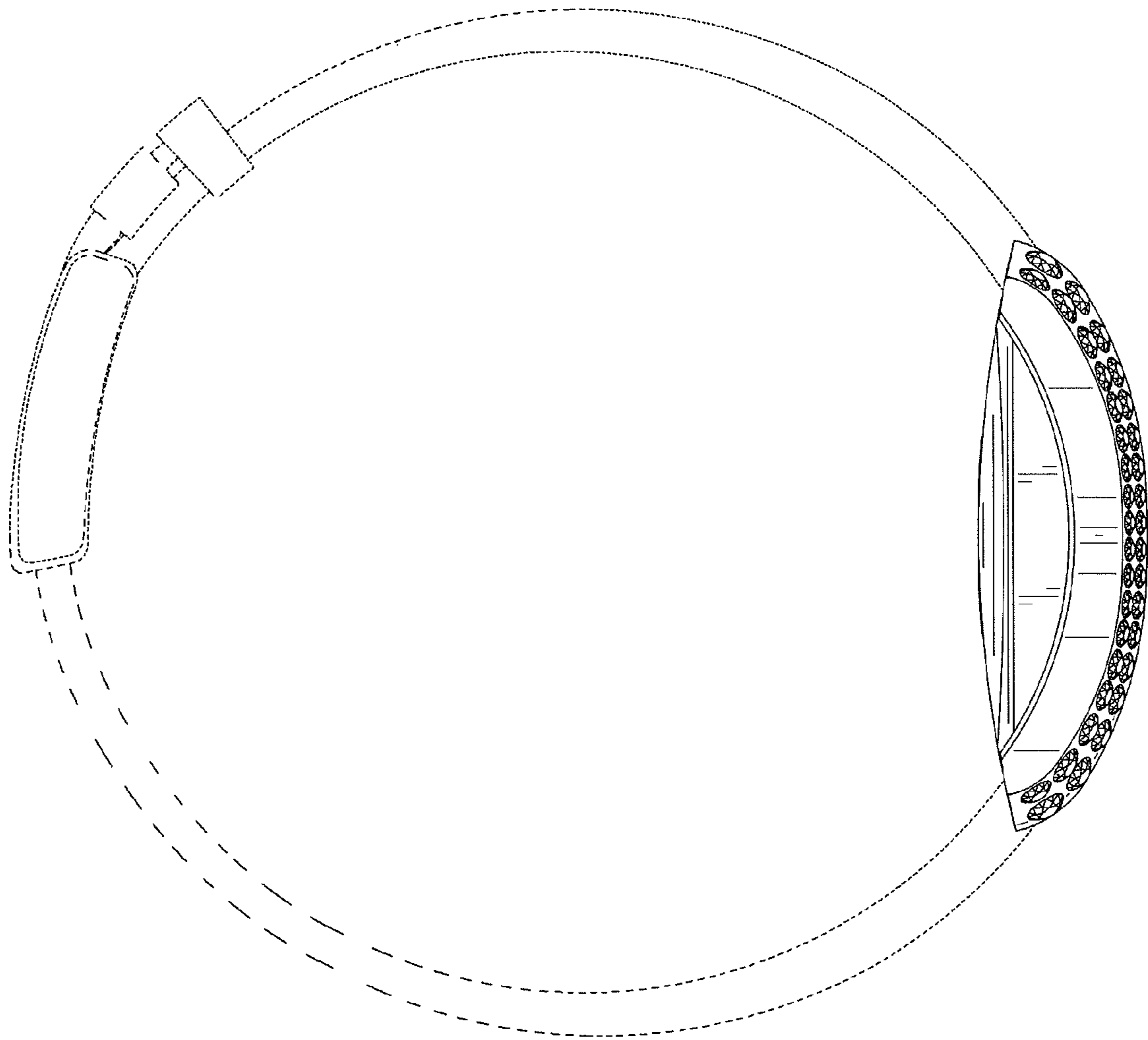


FIG. 3

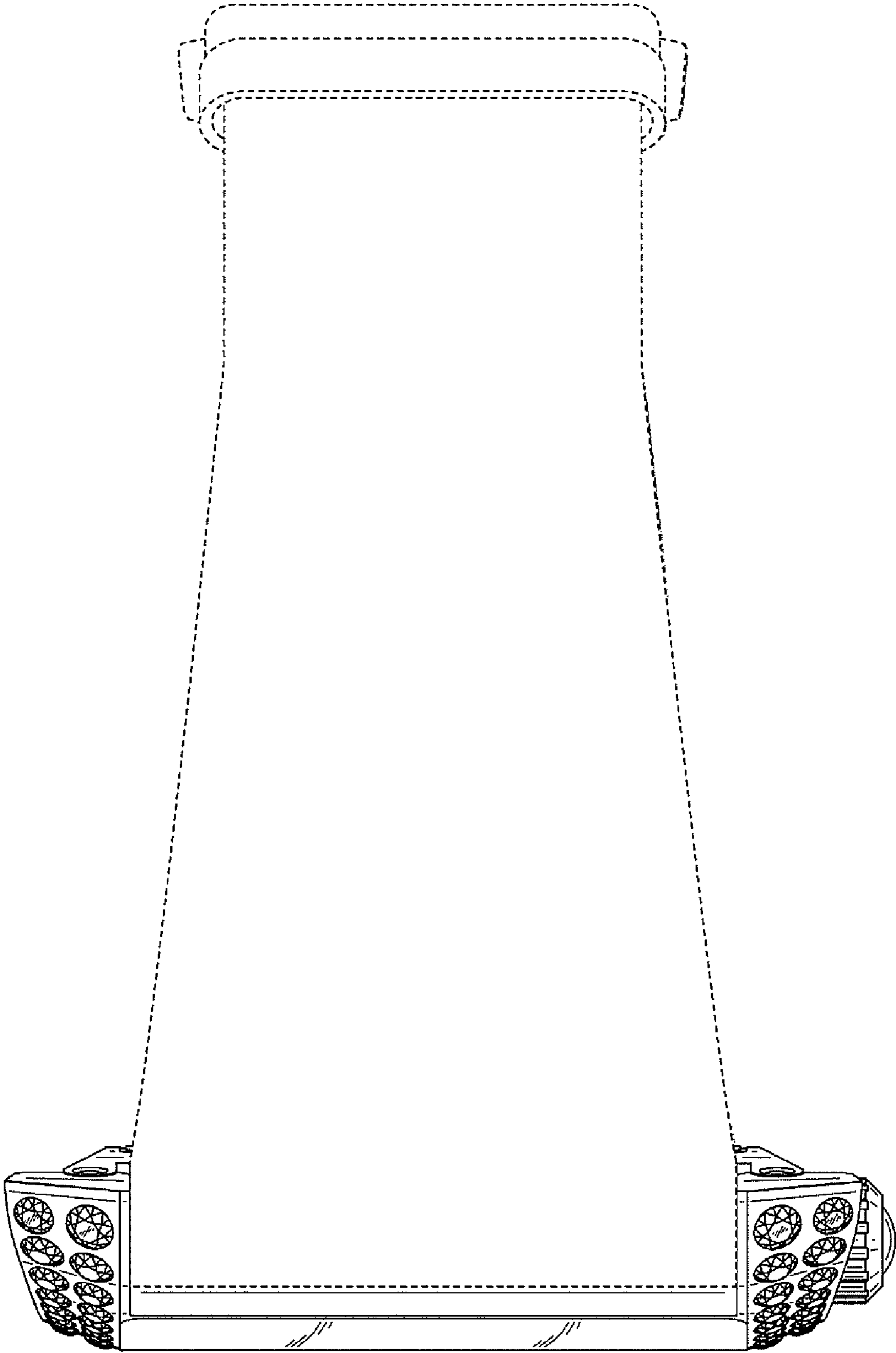


FIG. 4



FIG. 5

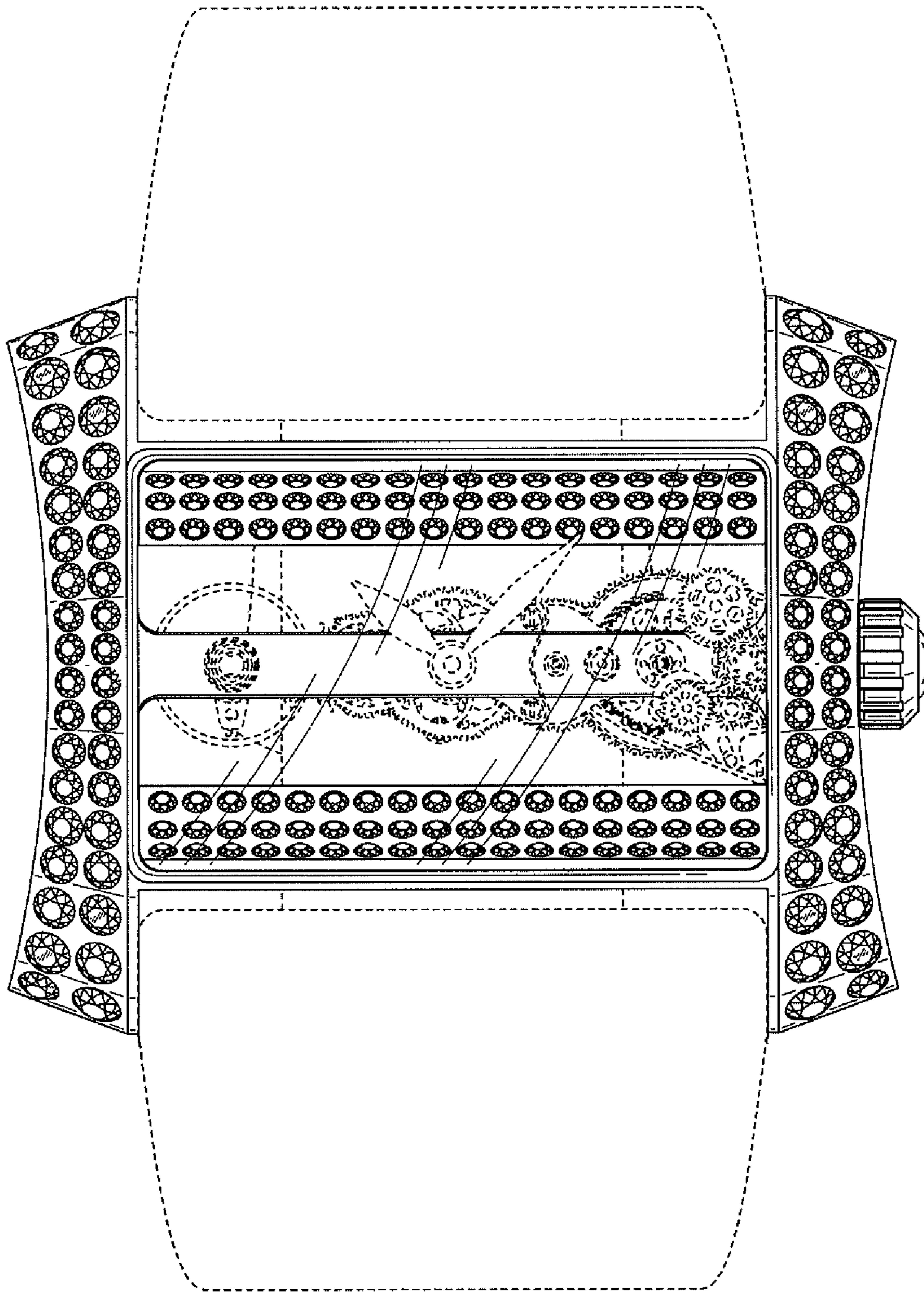


FIG. 6

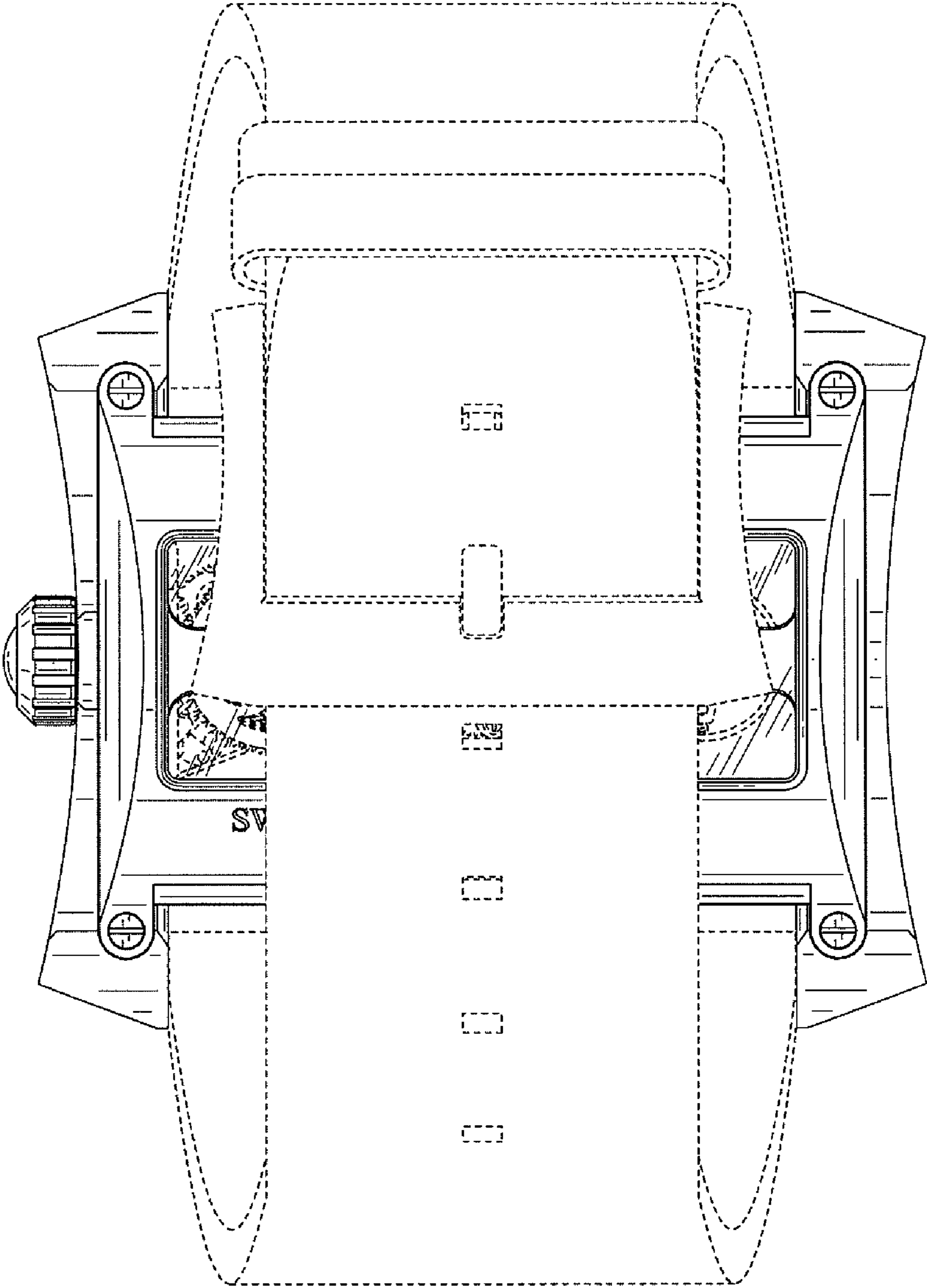


FIG. 7

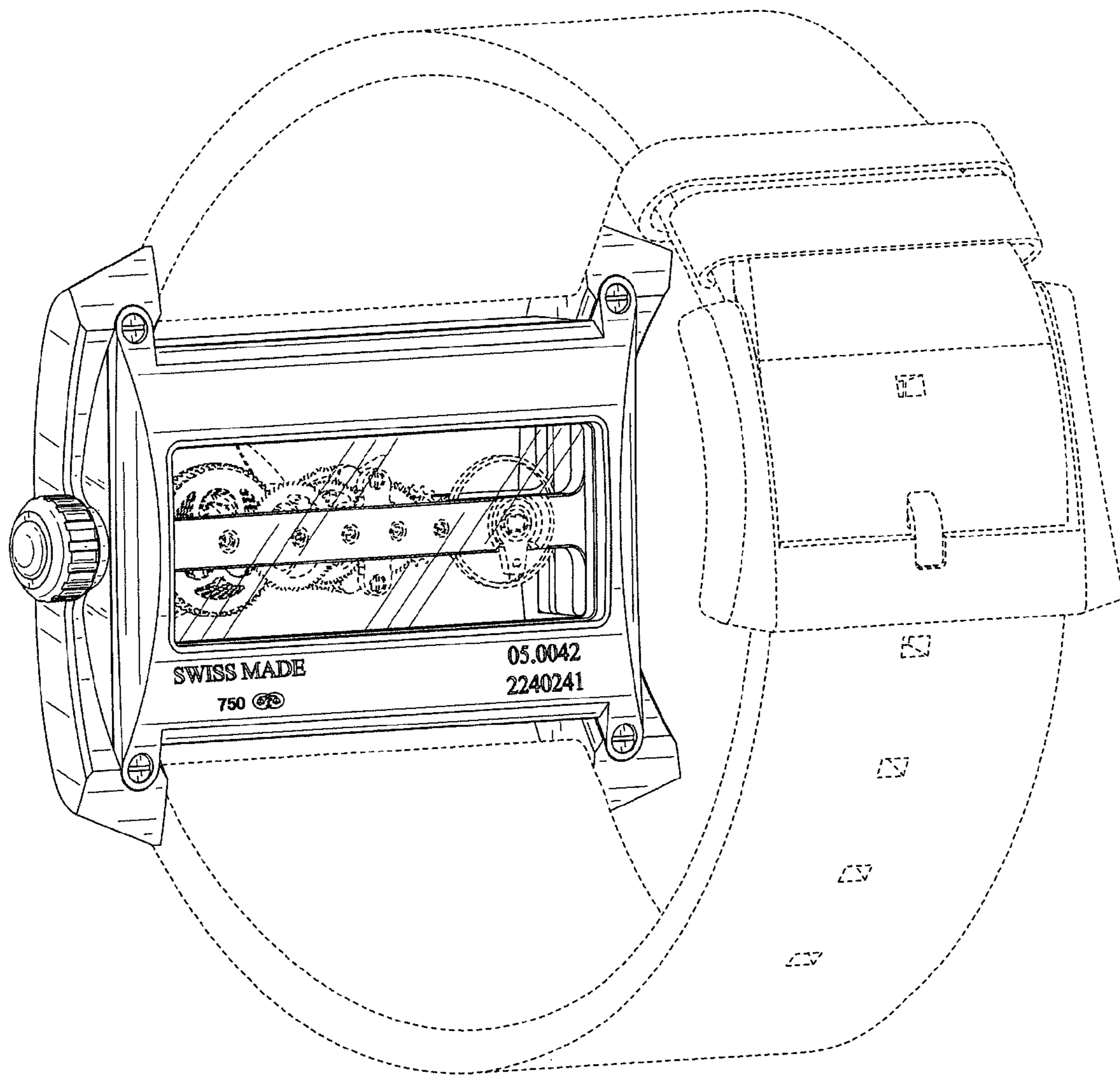


FIG. 8