



US00D644534S

(12) **United States Design Patent**
Stengel

(10) **Patent No.:** **US D644,534 S**
(45) **Date of Patent:** **** Sep. 6, 2011**

(54) **PACKAGING**

(75) Inventor: **Staffan Stengel**, Uppsala (SE)

(73) Assignee: **Cryogenetics AS**, Hamar (NO)

(**) Term: **14 Years**

(21) Appl. No.: **29/378,732**

(22) Filed: **Nov. 9, 2010**

(51) **LOC (9) Cl.** **09-05**

(52) **U.S. Cl.** **D9/707**

(58) **Field of Classification Search** D9/702-714,
D9/414-415, 430-433, 419-420, 424, 643,
D9/734, 761; D3/203.5; 206/223, 225, 260,
206/271-273, 390, 438, 449, 484, 527, 784,
206/820; 222/107, 129; D24/118; D27/183;
D7/631; 229/87.05, 87.03, 87.14, 85.08,
229/85.01, 85.19, 923, 116.5

See application file for complete search history.

(56) **References Cited**

U.S. PATENT DOCUMENTS

1,712,337	A *	5/1929	Emrich	229/87.06
2,950,038	A *	8/1960	Rupp	206/521
D260,077	S *	8/1981	Burns et al.	D9/711
D381,896	S *	8/1997	Park	D9/649
6,495,228	B1 *	12/2002	Mauch et al.	428/40.1
D491,057	S *	6/2004	Weiss	D9/435
D610,470	S *	2/2010	Avila	D9/713
D635,014	S *	3/2011	McAleese	D9/414

FOREIGN PATENT DOCUMENTS

NO 082023 11/2009

* cited by examiner

Primary Examiner — Caron D Veynar

Assistant Examiner — Abraham Bahta

(74) *Attorney, Agent, or Firm* — Arent Fox LLP

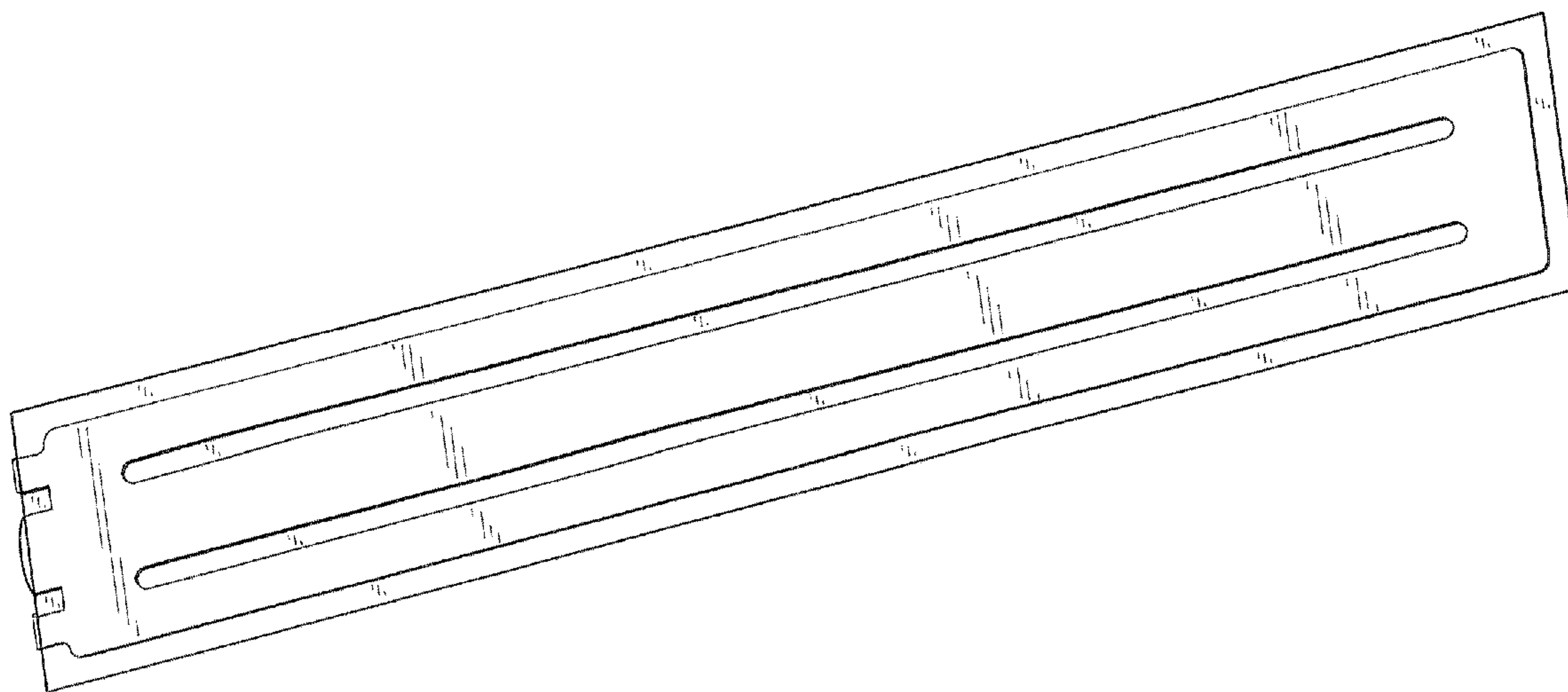
(57) **CLAIM**

The ornamental design for a packaging, as shown and described.

DESCRIPTION

FIG. 1 is a perspective view of a packaging showing my new design according to a first embodiment;
 FIG. 2 is a front view of the design shown in FIG. 1;
 FIG. 3 is a rear view of the design shown in FIG. 1;
 FIG. 4 is a top view of the design shown in FIG. 1, the bottom view being identical thereto;
 FIG. 5 is a right side view of the design shown in FIG. 1;
 FIG. 6 is a left side view of the design shown in FIG. 1;
 FIG. 7 is a sectional view of the design shown in FIG. 1 as viewed between lines 7 and 7' in FIG. 2;
 FIG. 8 is a perspective view of a packaging showing my new design according to a second embodiment;
 FIG. 9 is a front view of the design shown in FIG. 8;
 FIG. 10 is a rear view of the design shown in FIG. 8;
 FIG. 11 is a top view of the design shown in FIG. 8, the bottom view being identical thereto;
 FIG. 12 is a right side view of the design shown in FIG. 8;
 FIG. 13 is a left side view of the design shown in FIG. 8; and,
 FIG. 14 is a sectional view of the design shown in FIG. 8 as viewed between lines 14 and 14' in FIG. 9.

1 Claim, 8 Drawing Sheets



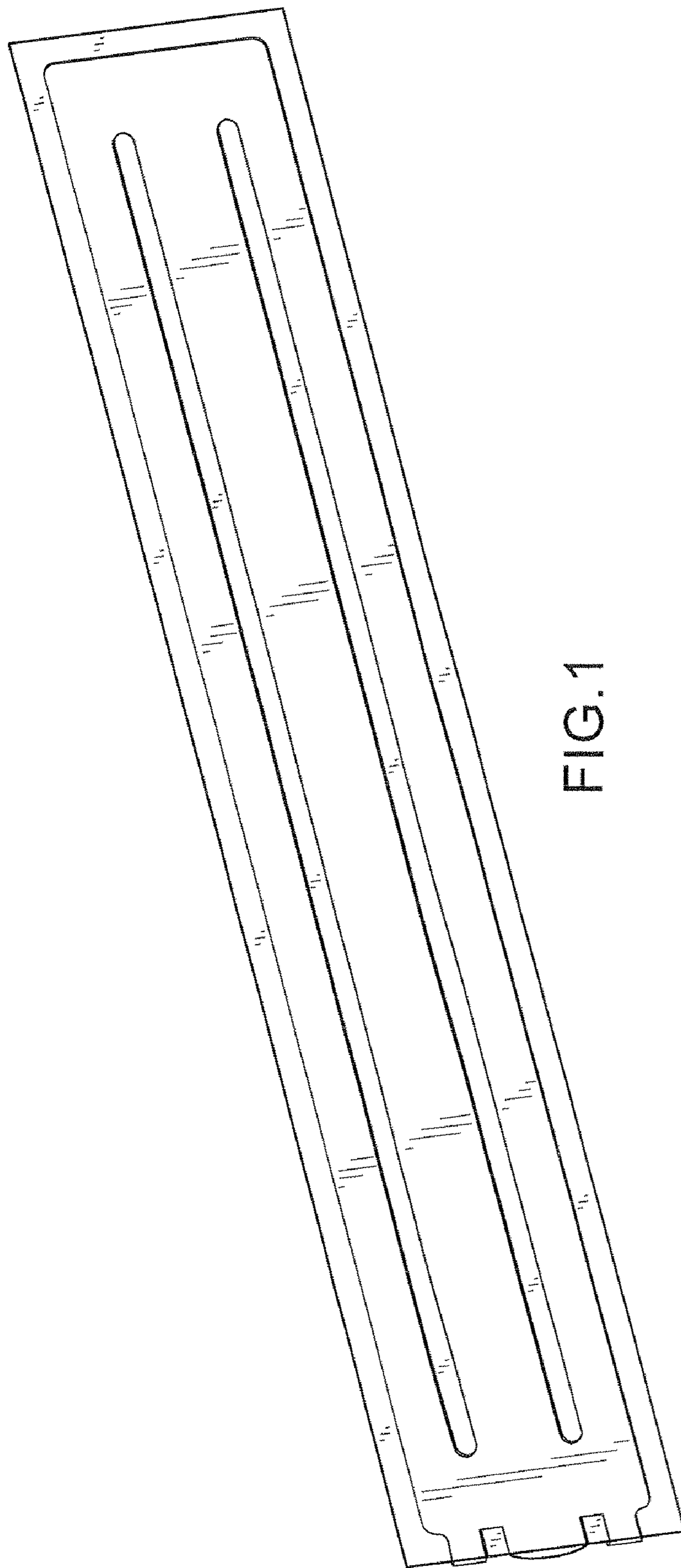


FIG. 1

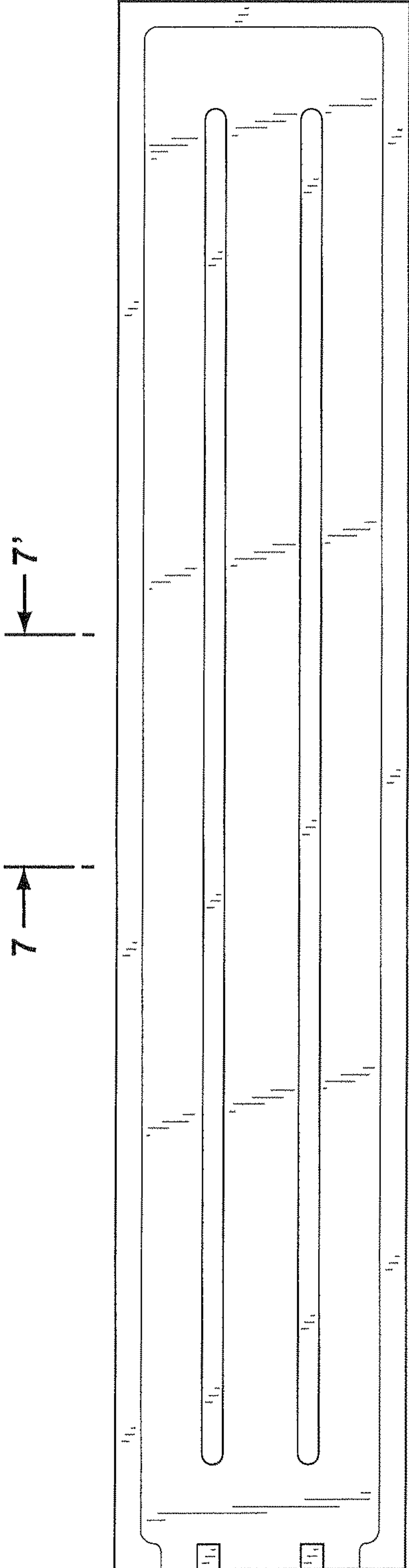


FIG. 2

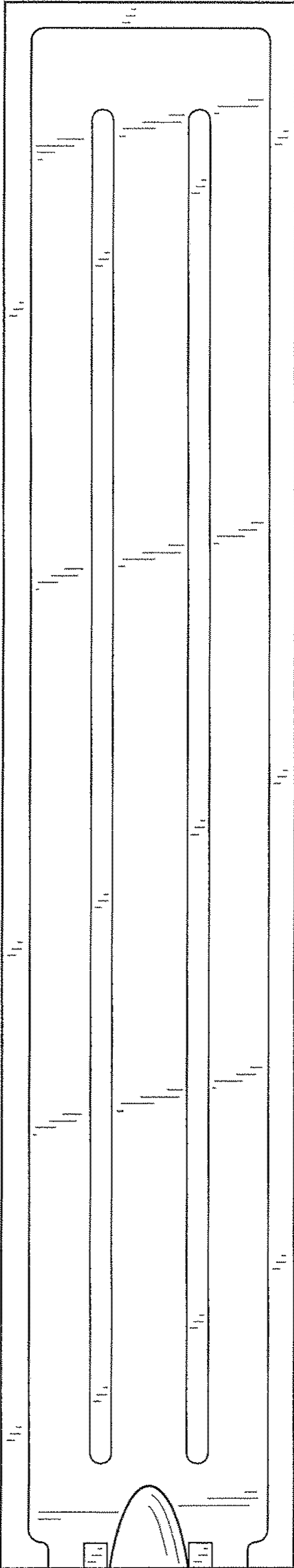


FIG. 3



FIG. 4

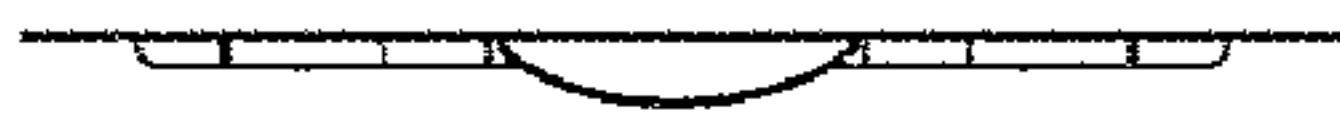


FIG. 5

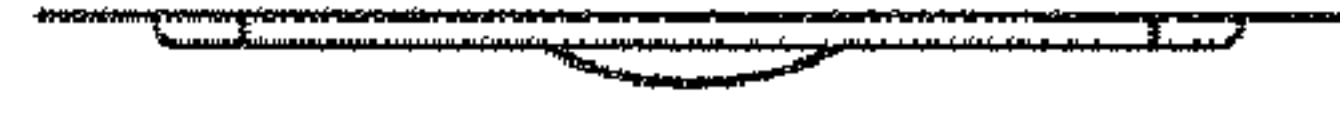


FIG. 6

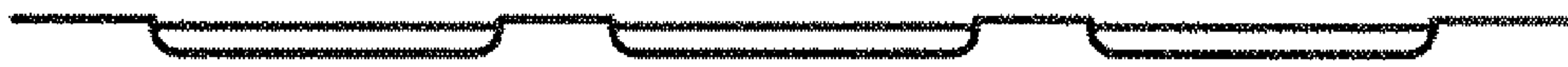


FIG. 7

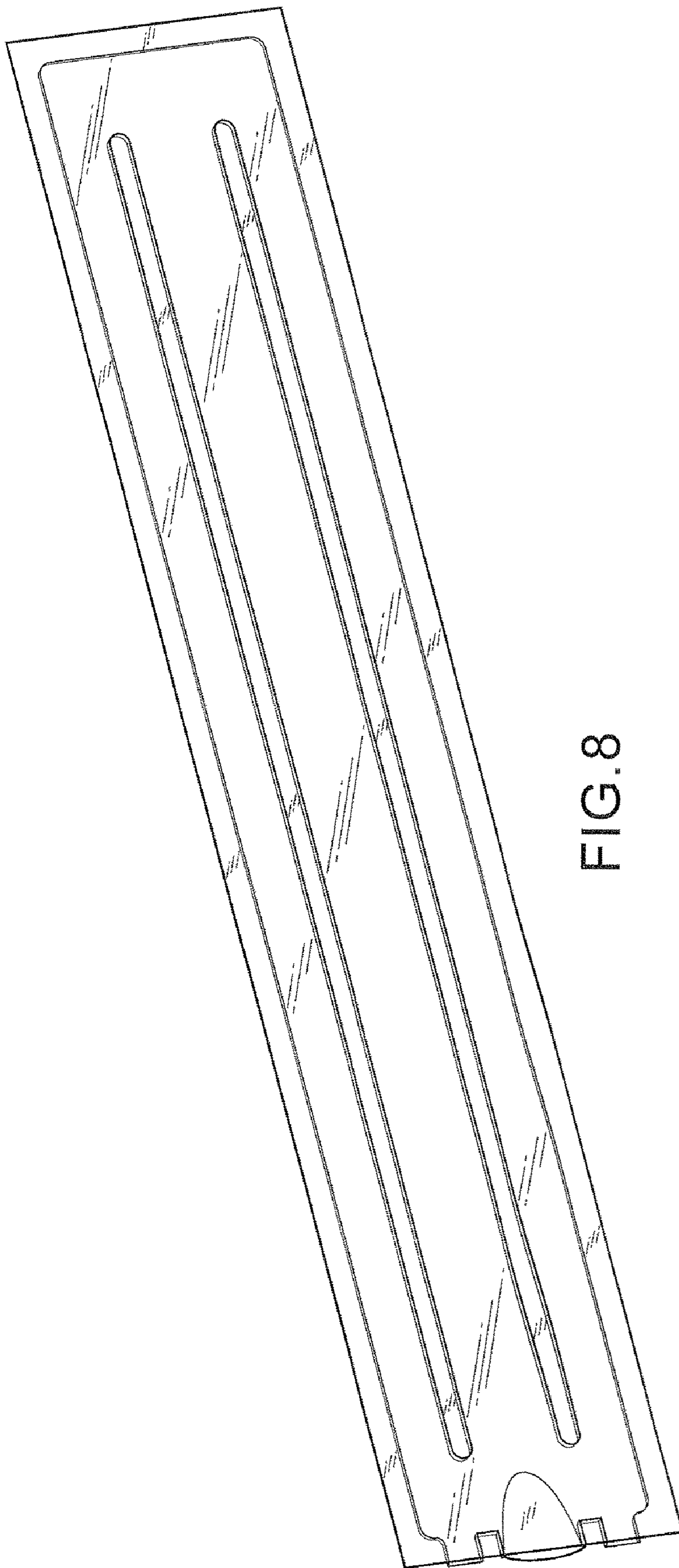


FIG.8

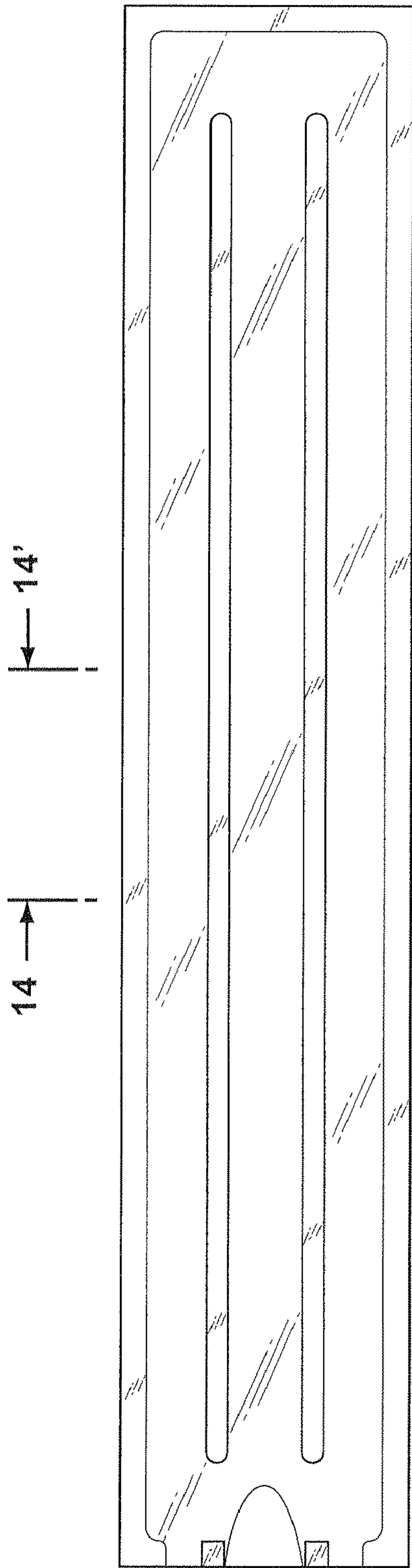


FIG. 9

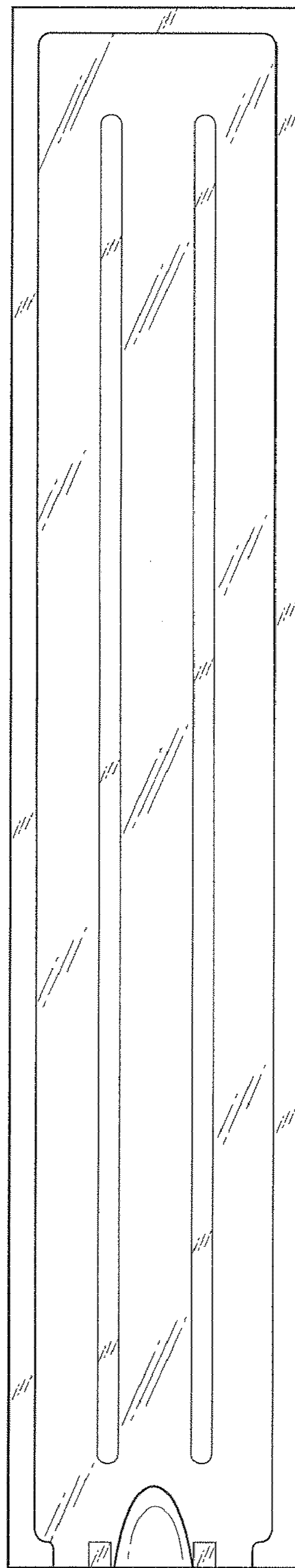


FIG. 10

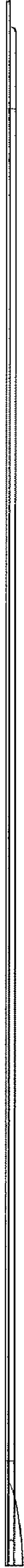


FIG. 11

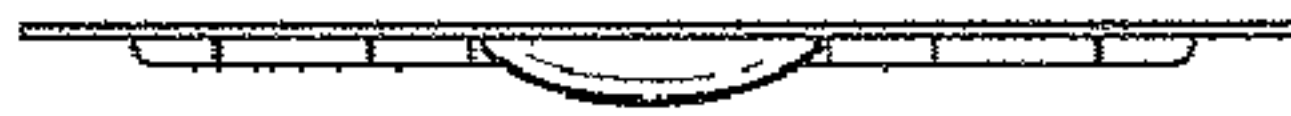


FIG. 12

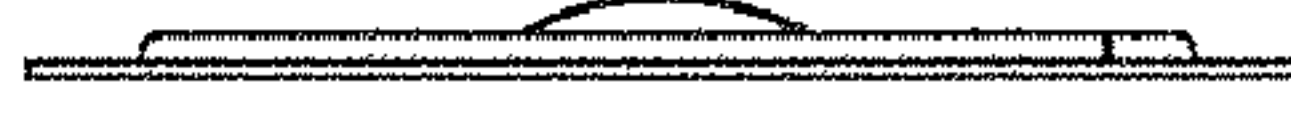


FIG. 13

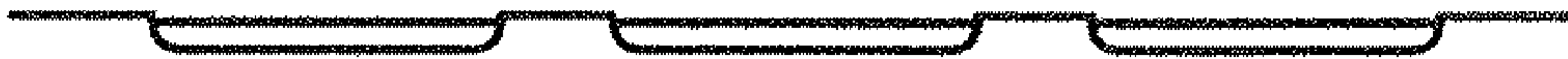


FIG. 14