



US00D644514S

(12) **United States Design Patent**  
**Robins**

(10) **Patent No.:** **US D644,514 S**

(45) **Date of Patent:** **\*\* Sep. 6, 2011**

(54) **INSERT FOR PRODUCT DISPLAY PACKAGE**

(75) **Inventor:** **Evelyn M. Robins**, Ruckersville, VA  
(US)

(73) **Assignee:** **Leafsolution, LLC**, Rochelle, VA (US)

(\*\*) **Term:** **14 Years**

(21) **Appl. No.:** **29/371,028**

(22) **Filed:** **Sep. 16, 2010**

(51) **LOC (9) Cl.** ..... **09-07**

(52) **U.S. Cl.** ..... **D9/456**

(58) **Field of Classification Search** ..... D9/760,  
D9/761, 759, 756, 708, 709, 702, 456, 455,  
D9/454, 453, 445, 443, 436, 435, 434, 439,  
D9/433, 432; 53/412; 248/146; 229/120,  
229/122.29; 222/109; 220/4.23; 219/439;  
215/305; 206/529, 427, 563; D3/304, 295;  
D7/701, 392.2, 392.1; D5/58

See application file for complete search history.

(56) **References Cited**

**U.S. PATENT DOCUMENTS**

2,430,609 A \* 11/1947 Guyer ..... 229/122.29  
D226,146 S \* 1/1973 Price ..... D6/631

3,722,781 A \* 3/1973 Page et al. .... 206/563  
D303,217 S \* 9/1989 Maidon ..... D9/456  
D320,909 S \* 10/1991 Szablak et al. .... D7/701  
D398,527 S \* 9/1998 Maceachern et al. .... D9/432  
5,921,386 A \* 7/1999 Smith ..... 206/308.1  
D420,586 S \* 2/2000 MacEachern et al. .... D9/432  
D455,312 S \* 4/2002 Myszka et al. .... D6/629  
D511,093 S \* 11/2005 Keeton ..... D9/433  
D519,367 S \* 4/2006 Alexander ..... D9/433  
D572,588 S \* 7/2008 Osborn et al. .... D9/456  
D589,798 S \* 4/2009 Lipola ..... D9/456

\* cited by examiner

*Primary Examiner* — Susan Bennett Hattan

(74) *Attorney, Agent, or Firm* — Nixon & Vanderhye PC

(57) **CLAIM**

The ornamental design for an insert for a product display package, as shown and described.

**DESCRIPTION**

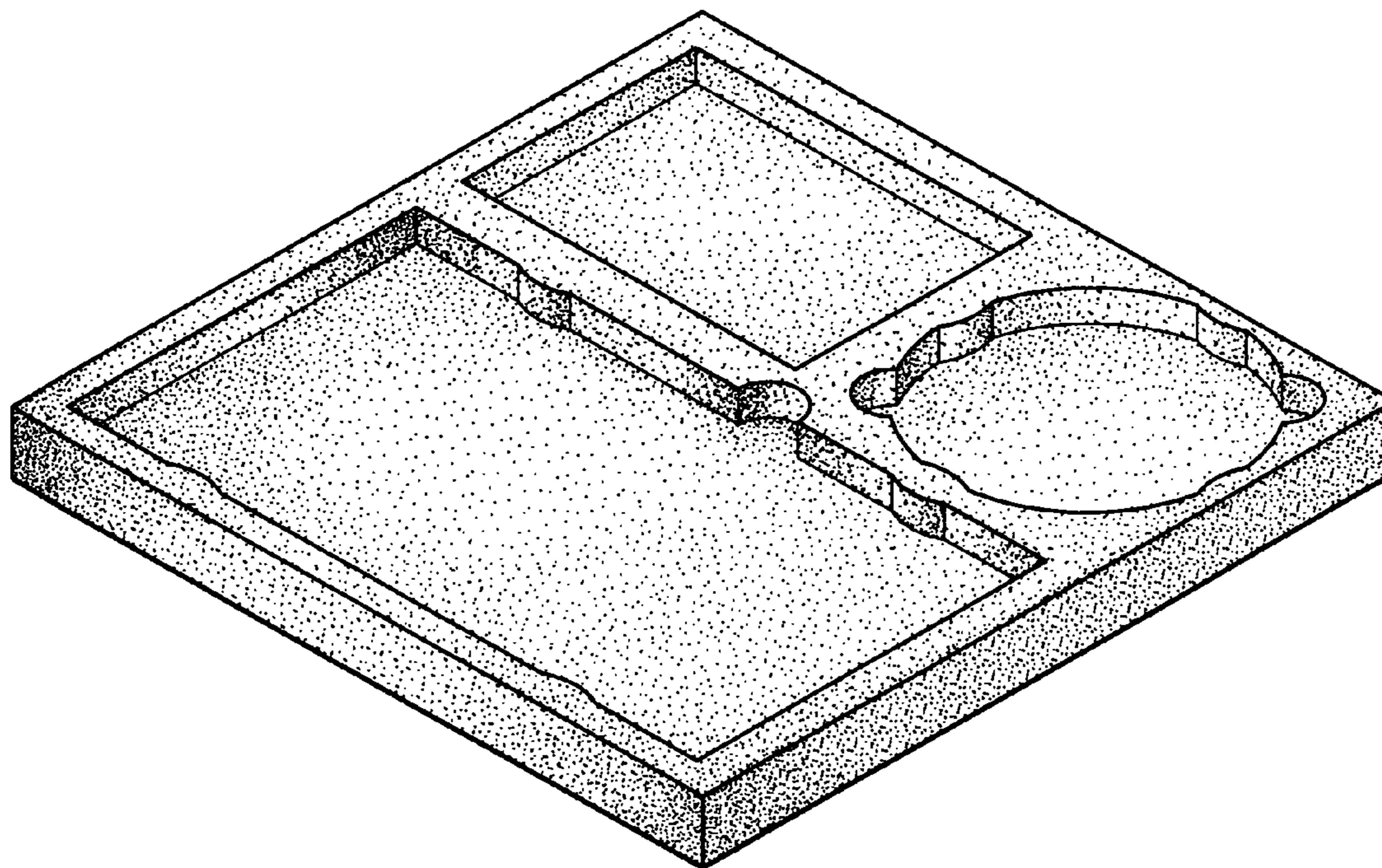
FIG. 1 is a perspective view of the insert showing my new design;

FIG. 2 is a plan view of the top of the design;

FIG. 3 is a plan view of the bottom of the design; and,

FIG. 4 is an elevational view of one side of the design, the other side and both ends being the same in appearance as the one side.

**1 Claim, 2 Drawing Sheets**



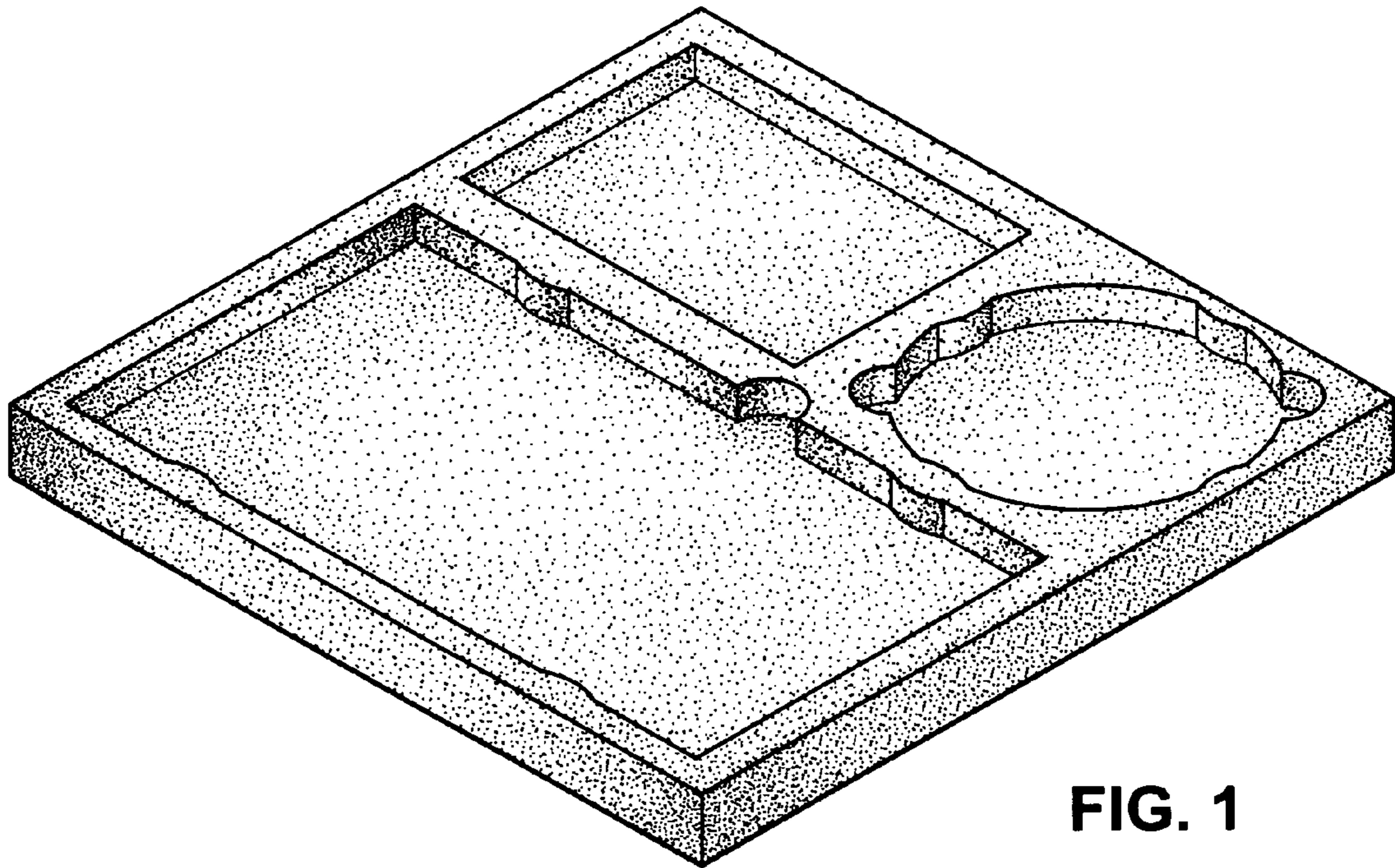


FIG. 1

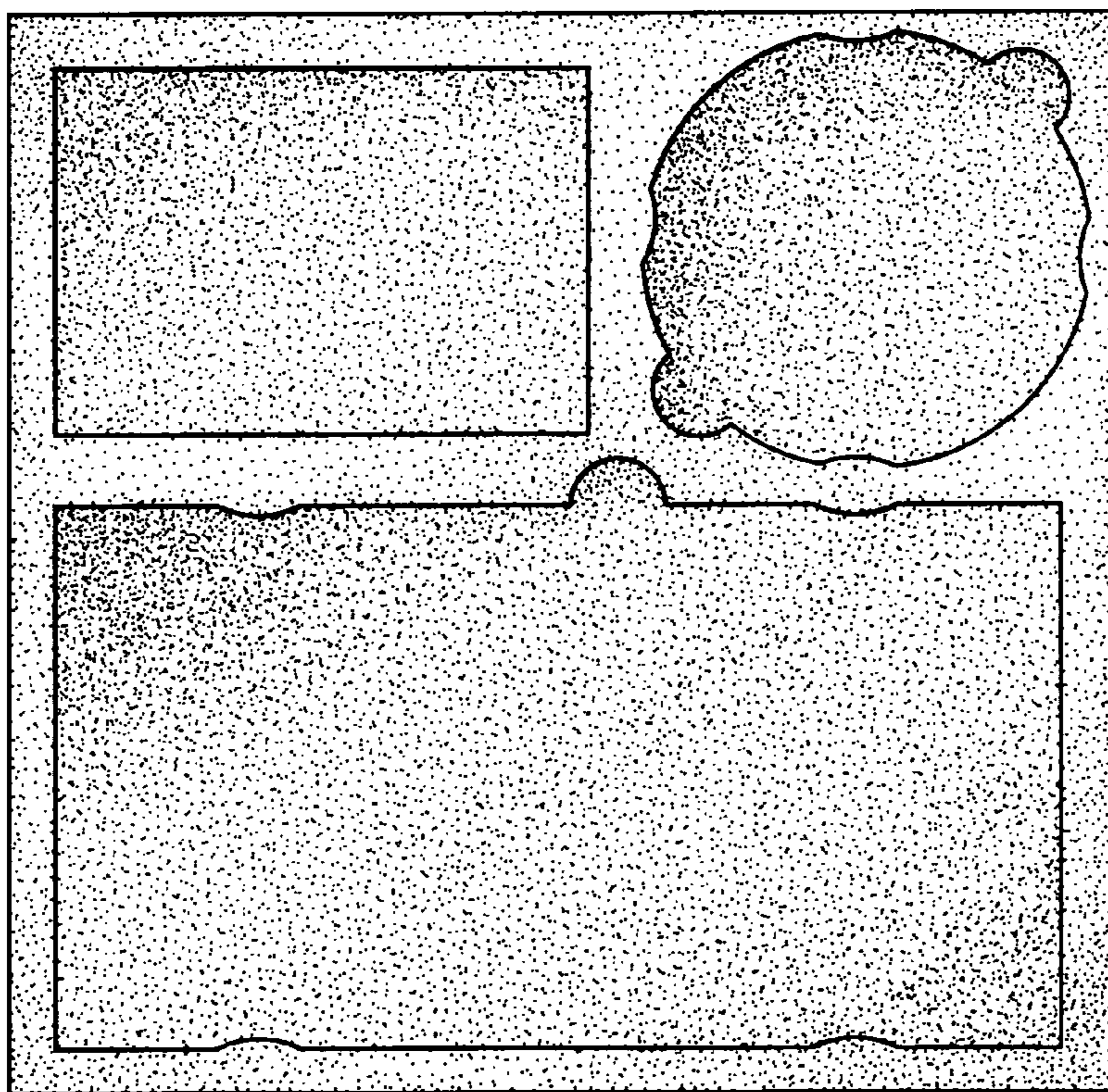
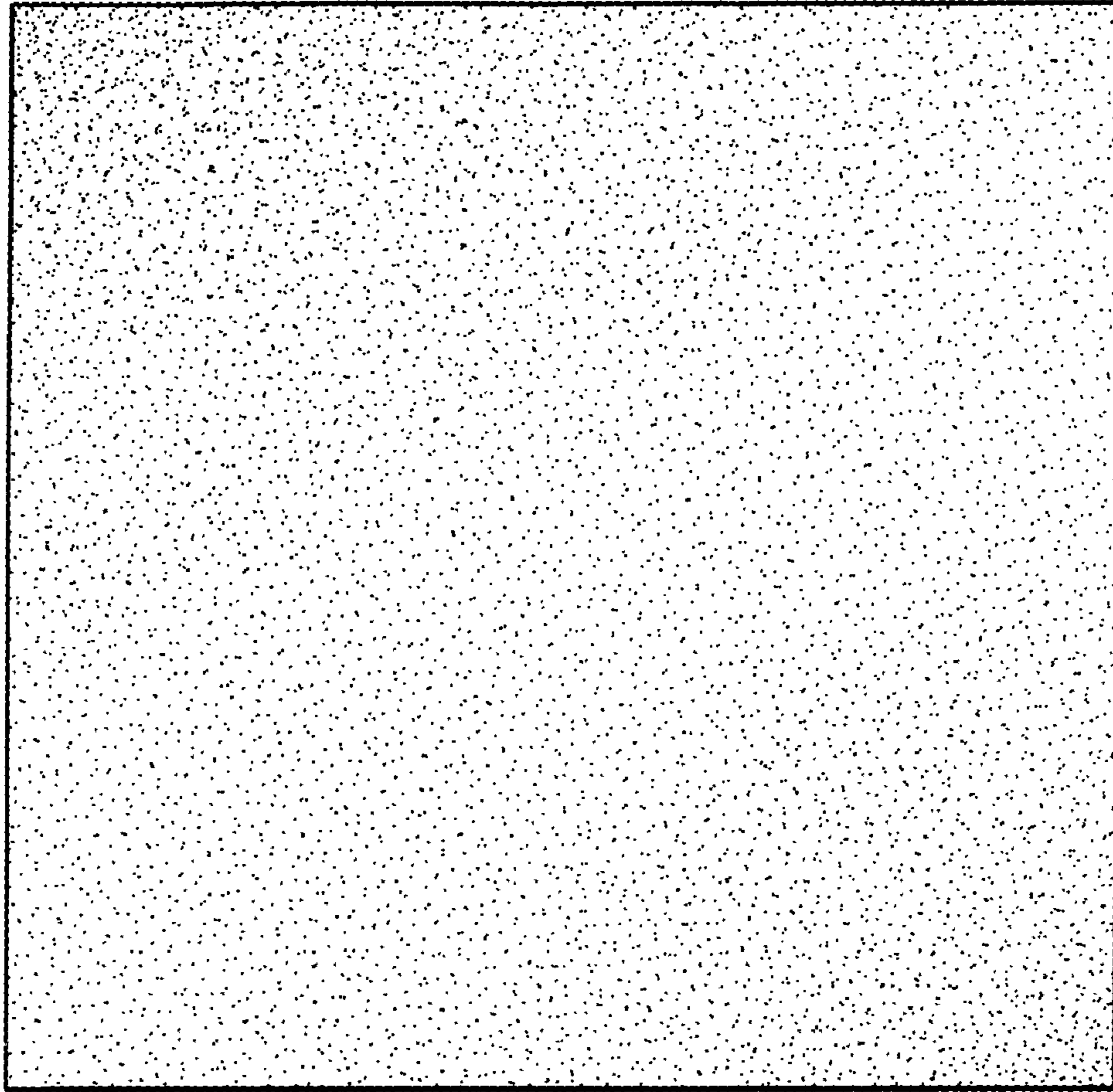


FIG. 2



**FIG. 3**



**FIG. 4**