

US00D644509S

(12) **United States Design Patent**
Roesler

(10) **Patent No.:** **US D644,509 S**

(45) **Date of Patent:** **** Sep. 6, 2011**

(54) **COMPARTMENTALIZED PACKAGING BOX**

(76) Inventor: **Peter Roesler**, Wangen (DE)

(**) Term: **14 Years**

(21) Appl. No.: **29/383,034**

(22) Filed: **Jan. 11, 2011**

(30) **Foreign Application Priority Data**

Jul. 12, 2010 (EP) 001730151

(51) **LOC (9) Cl.** **09-03**

(52) **U.S. Cl.** **D9/422; D9/424; D9/432; D9/756**

(58) **Field of Classification Search** D9/420-426,
D9/432, 414, 428, 761, 737, 418; D7/629,
D7/602; D3/273, 294, 20, 203.3, 206, 276,
D3/282, 284, 293, 295-298, 302, 315, 901,
D3/903, 905; 229/902, 904, 406, 407, 903;
426/106; 220/781-794, 674, 675, 4.21-4.24,
220/555, 556, 810, 836, 837, 841, 366.1,
220/367; 206/508, 216, 541, 6.1, 214, 575,
206/579; D6/6.1, 214, 575, 579

See application file for complete search history.

(56) **References Cited**

U.S. PATENT DOCUMENTS

D398,227 S *	9/1998	Orkisz	D9/423
D400,709 S *	11/1998	Chang	D3/294
D407,972 S *	4/1999	Hilton	D9/422
D422,787 S *	4/2000	Feng	D3/273
D443,762 S *	6/2001	Park	D3/295
D446,651 S *	8/2001	Liao	D3/284
D446,718 S *	8/2001	Anderson	D9/422
D465,729 S *	11/2002	Nishimura	D9/422
D478,280 S *	8/2003	Miller et al.	D9/420
D479,462 S *	9/2003	Chan	D9/422
D485,749 S *	1/2004	Zaksenberg et al.	D9/424
D491,805 S *	6/2004	Loth et al.	D9/422
D522,356 S *	6/2006	Liebe	D9/426
D522,855 S *	6/2006	Liebe et al.	D9/426
D534,069 S *	12/2006	Ohno et al.	D3/298
D535,184 S *	1/2007	Tanner	D9/422

D535,185 S *	1/2007	Tanner	D9/422
D535,874 S *	1/2007	Tanner	D9/422
D536,962 S *	2/2007	Tanner	D9/424
D539,641 S *	4/2007	Tanner	D3/203.1
D545,187 S *	6/2007	Kutsch et al.	D9/422
D546,109 S *	7/2007	Doyle	D6/627
D579,201 S *	10/2008	Galli	D3/273
D579,204 S *	10/2008	Chen	D3/315
D590,710 S *	4/2009	Mittelstaedt	D3/297
D592,949 S *	5/2009	Staunton	D9/600
D595,125 S *	6/2009	Doyle	D9/418
7,721,908 B2 *	5/2010	Cronin et al.	220/345.4
D622,061 S *	8/2010	Higginson	D3/302
D624,400 S *	9/2010	Wichowski	D9/420
D625,178 S *	10/2010	Bailey et al.	D9/422
D636,599 S *	4/2011	Hsu	D3/297

(Continued)

Primary Examiner — Mark Goodwin

(74) *Attorney, Agent, or Firm* — Cohen & Grigsby, P.C.

(57) **CLAIM**

The ornamental design for a compartmentalized packaging box, as shown and described.

DESCRIPTION

FIG. 1 is a top perspective view of a compartmentalized packaging box showing my new design.

FIG. 2 is a top view of the compartmentalized packaging box.

FIG. 3 is a bottom view of the compartmentalized packaging box.

FIG. 4 is a right side elevation view of the compartmentalized packaging box.

FIG. 5 is left side elevation view of the compartmentalized packaging box.

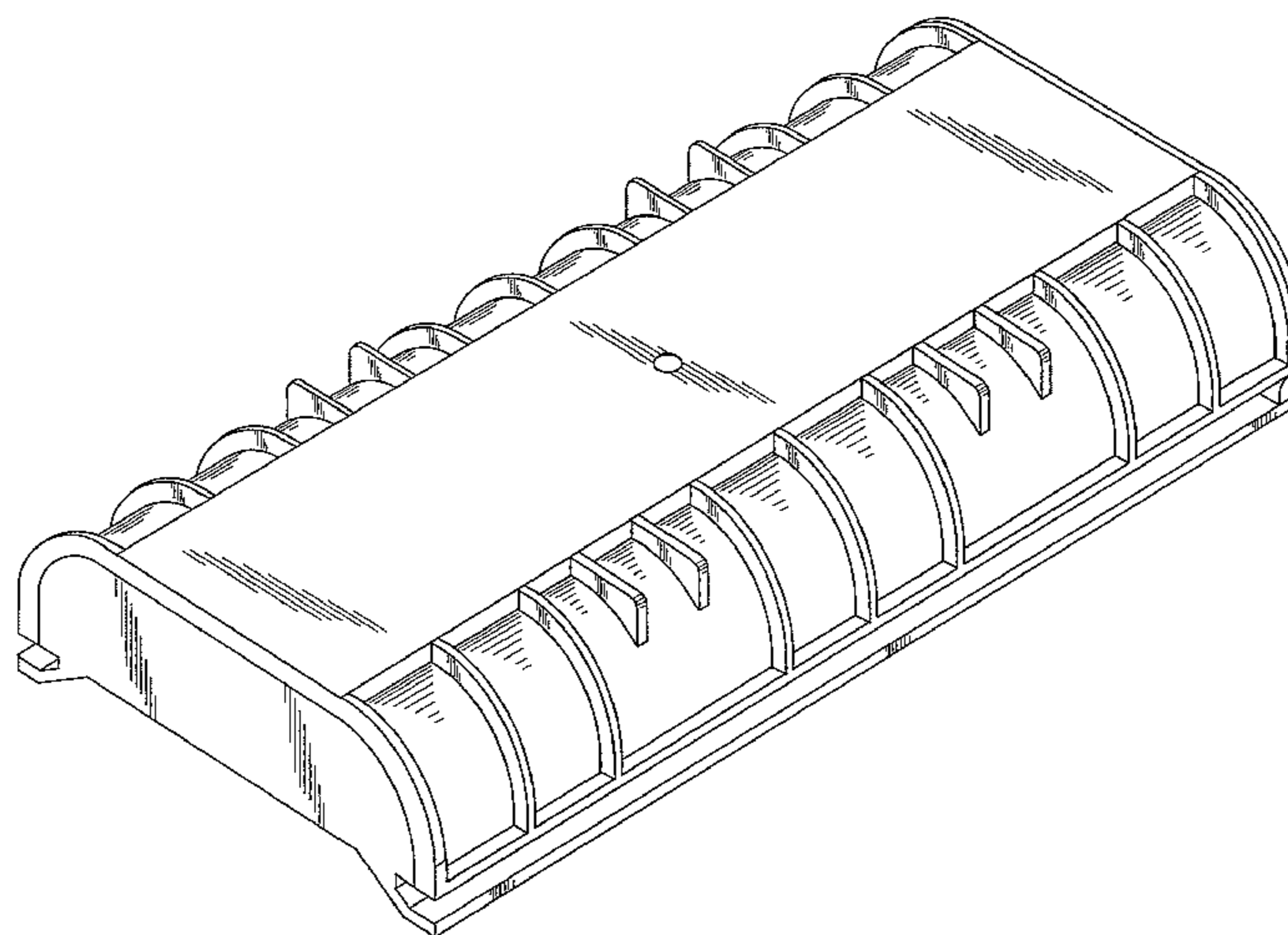
FIG. 6 is front view of the compartmentalized packaging box.

FIG. 7 is a rear view of the compartmentalized packaging box.

FIG. 8 is a perspective view of the compartmentalized packaging box with lid open; and,

FIG. 9 is a perspective view of the compartmentalized packaging box without lid.

1 Claim, 7 Drawing Sheets



US D644,509 S

Page 2

U.S. PATENT DOCUMENTS		2008/0041734 A1*	2/2008	Bergelson	206/6.1
2006/0071002 A1*	4/2006	Hurst			220/345.1
2006/0201833 A1*	9/2006	Chen			206/349

* cited by examiner

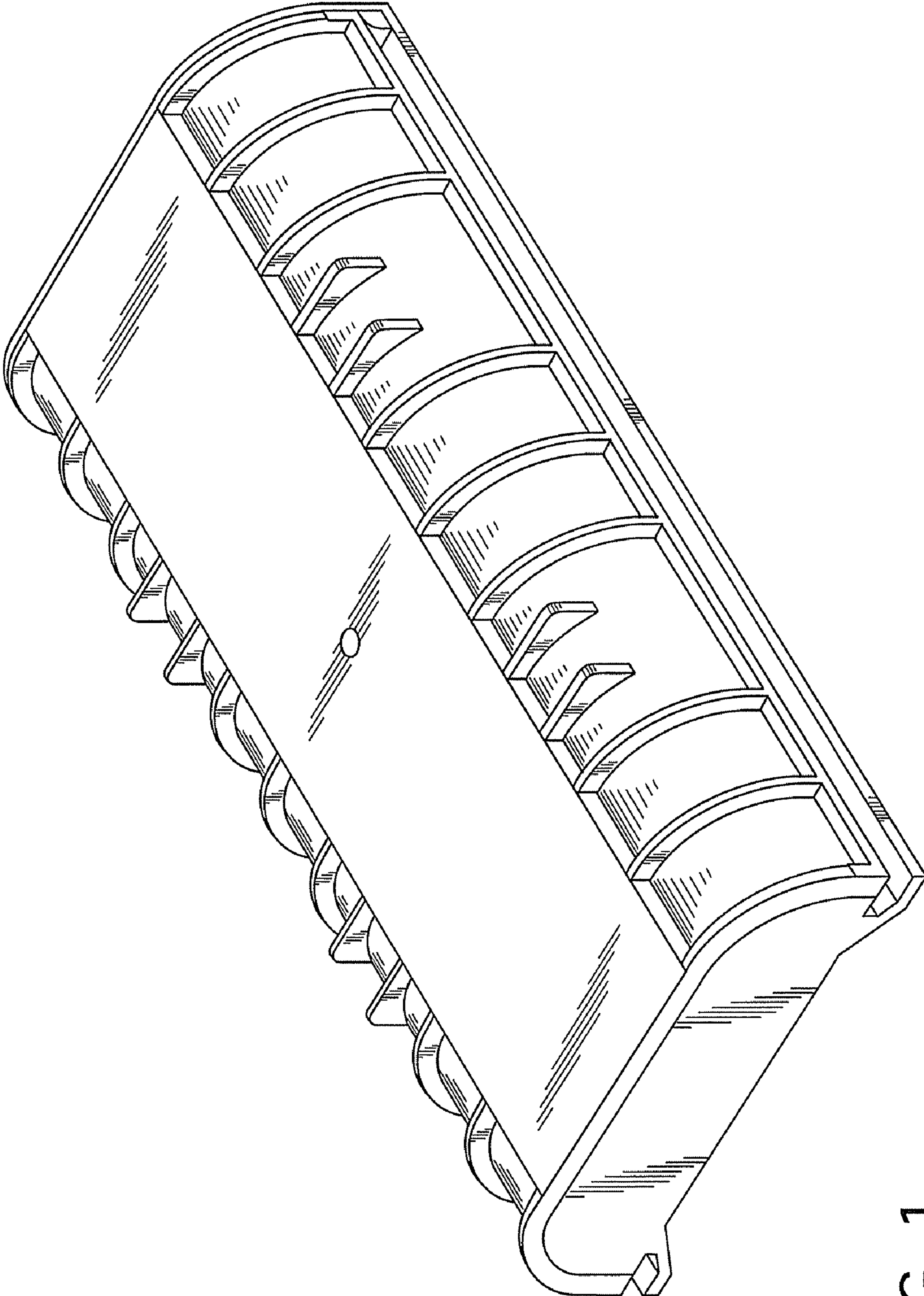


FIG. 1

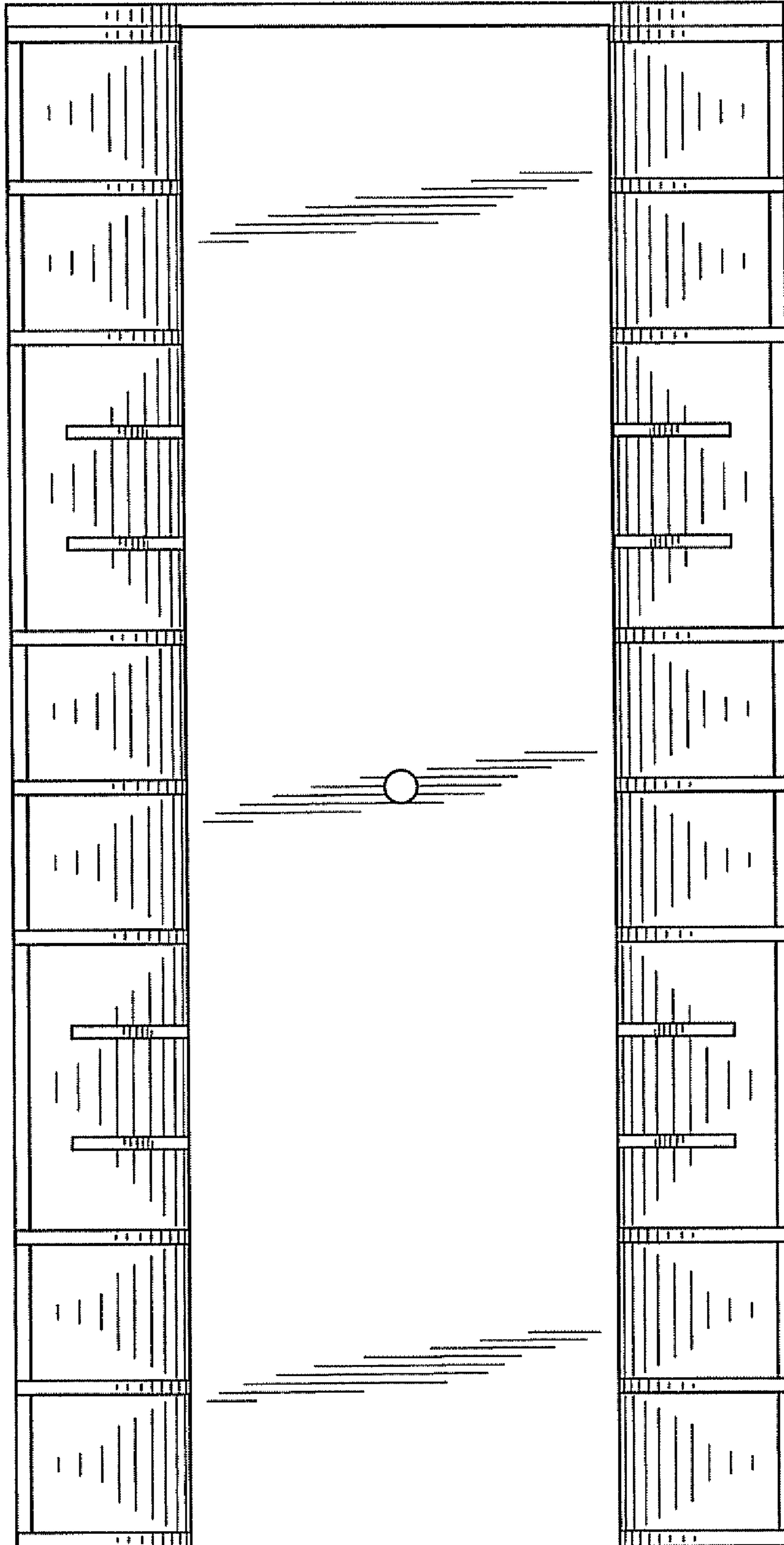


FIG. 2

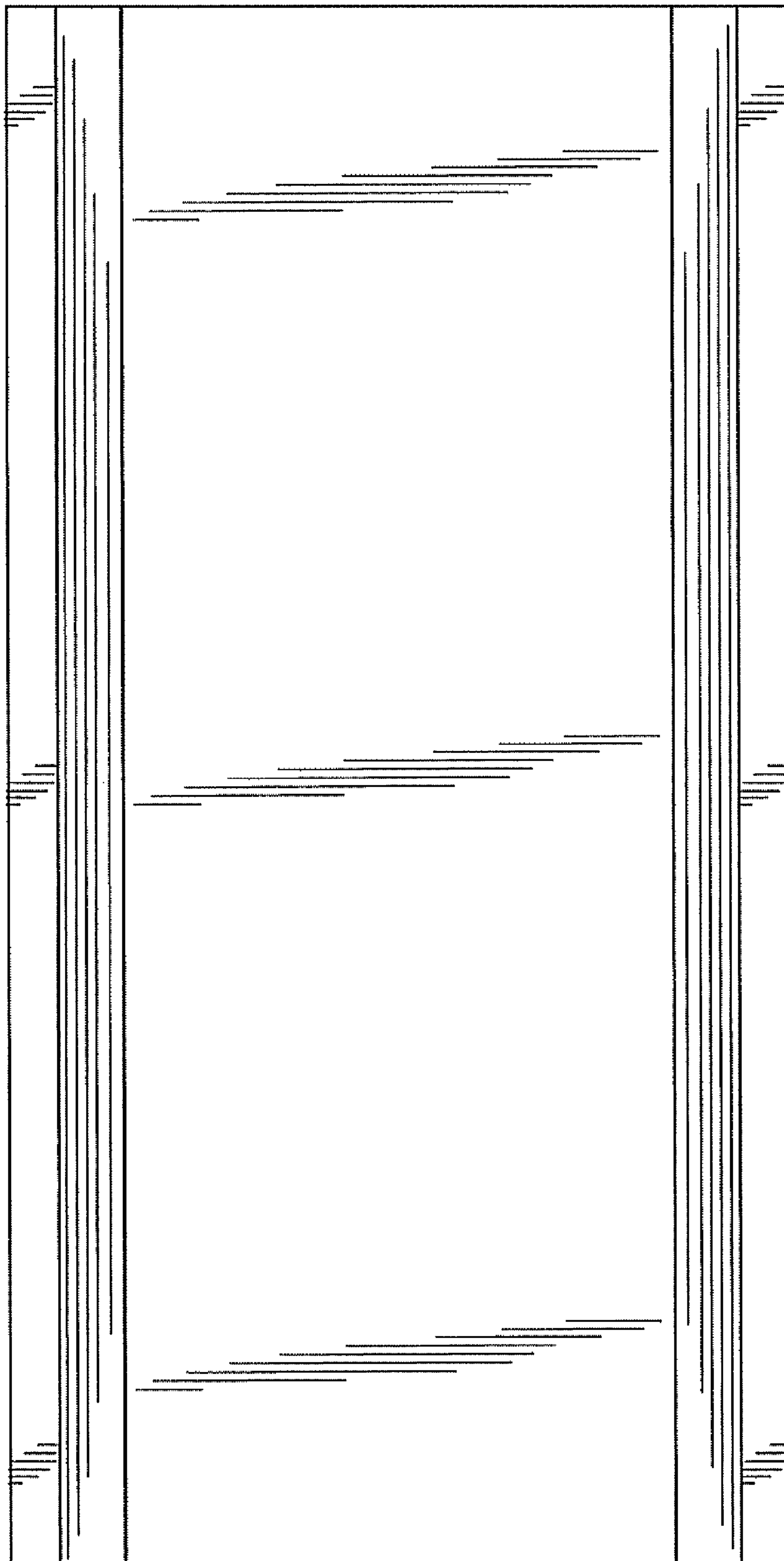


FIG. 3

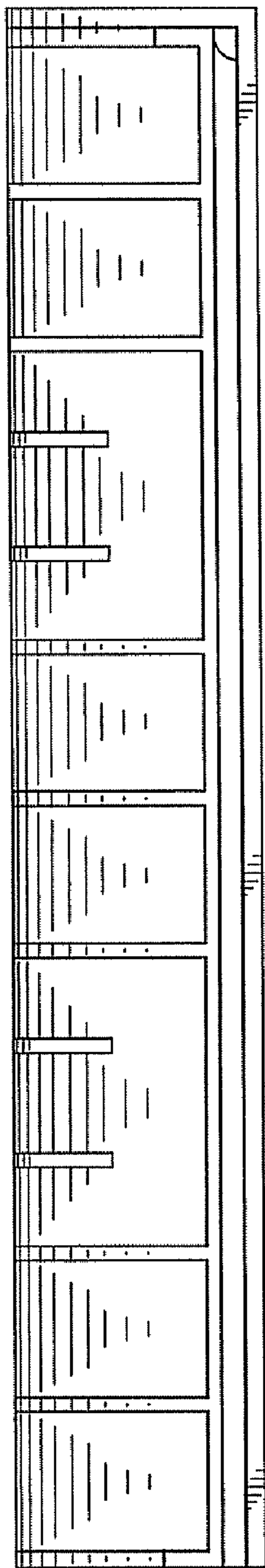


FIG. 4

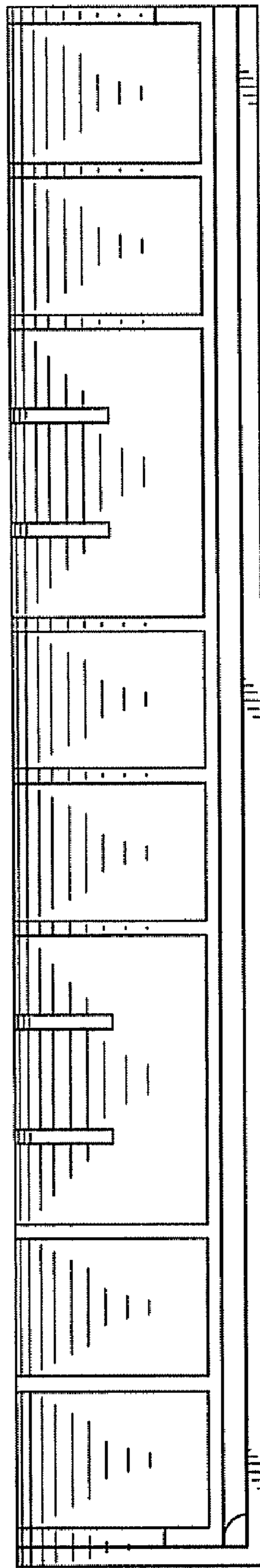


FIG. 5

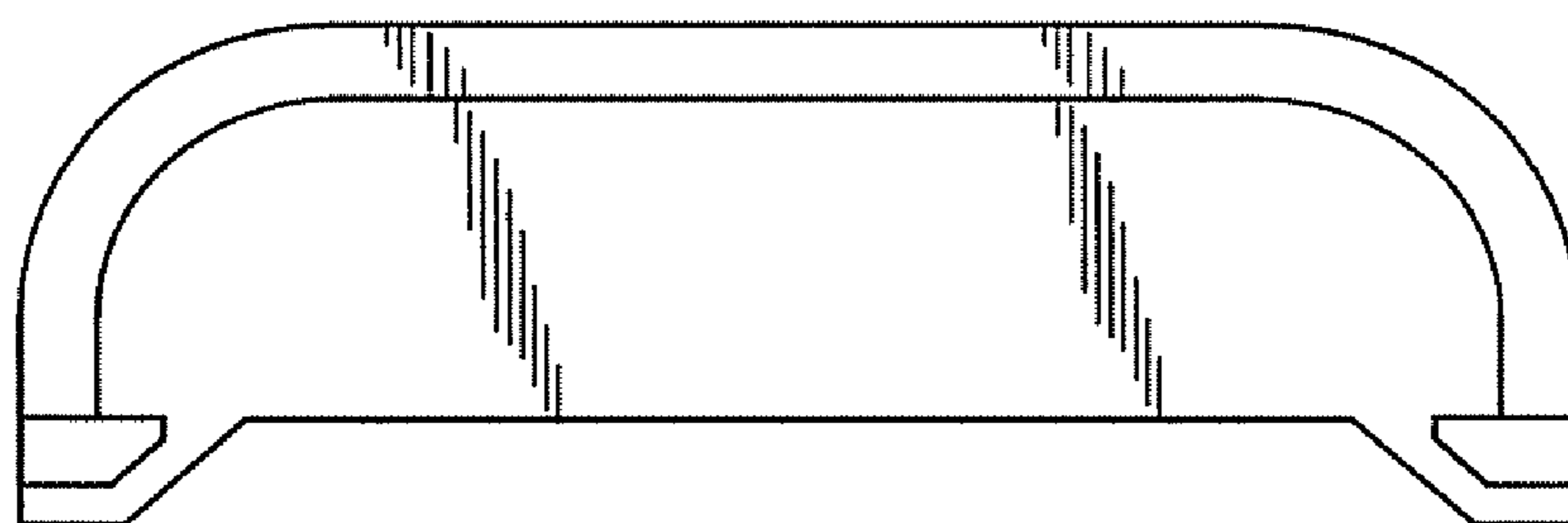


FIG. 6

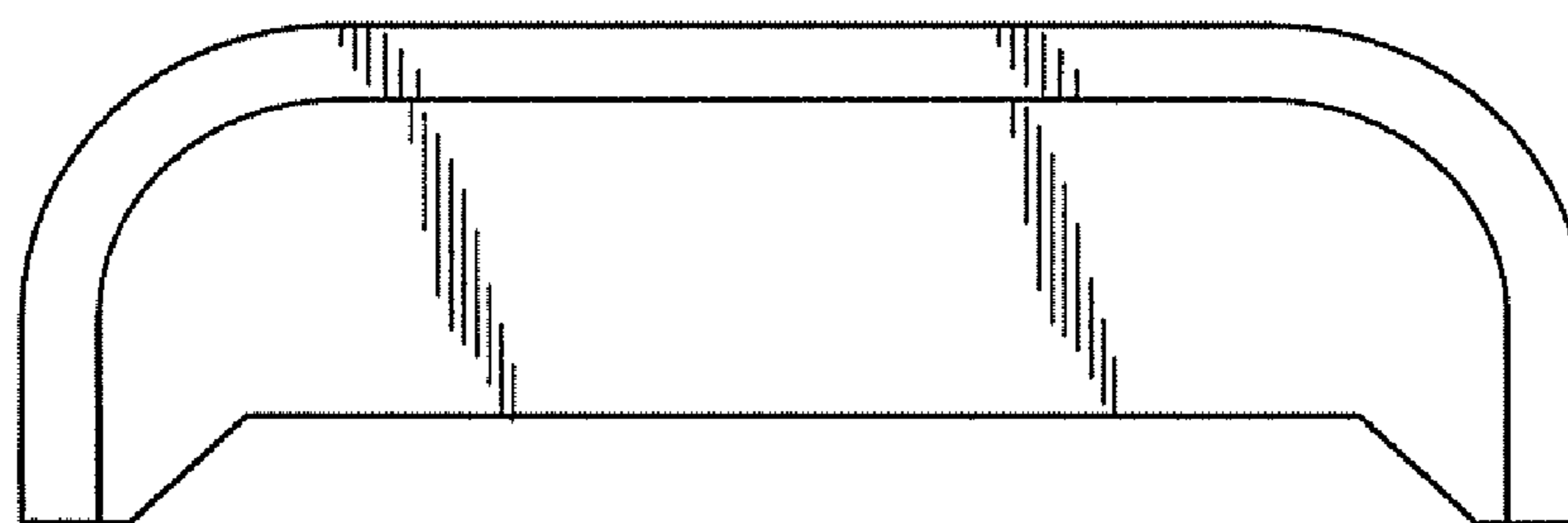


FIG. 7

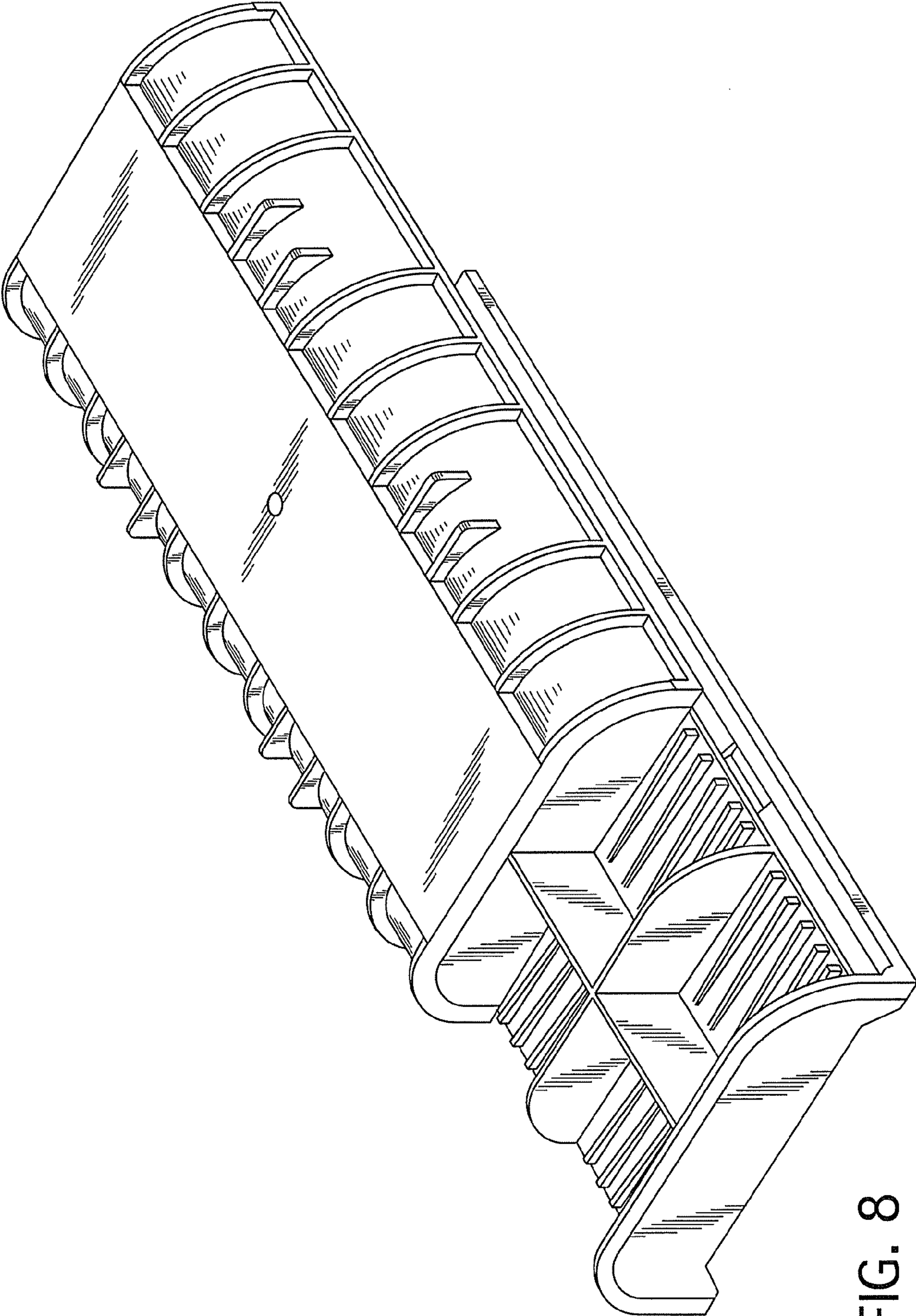


FIG. 8

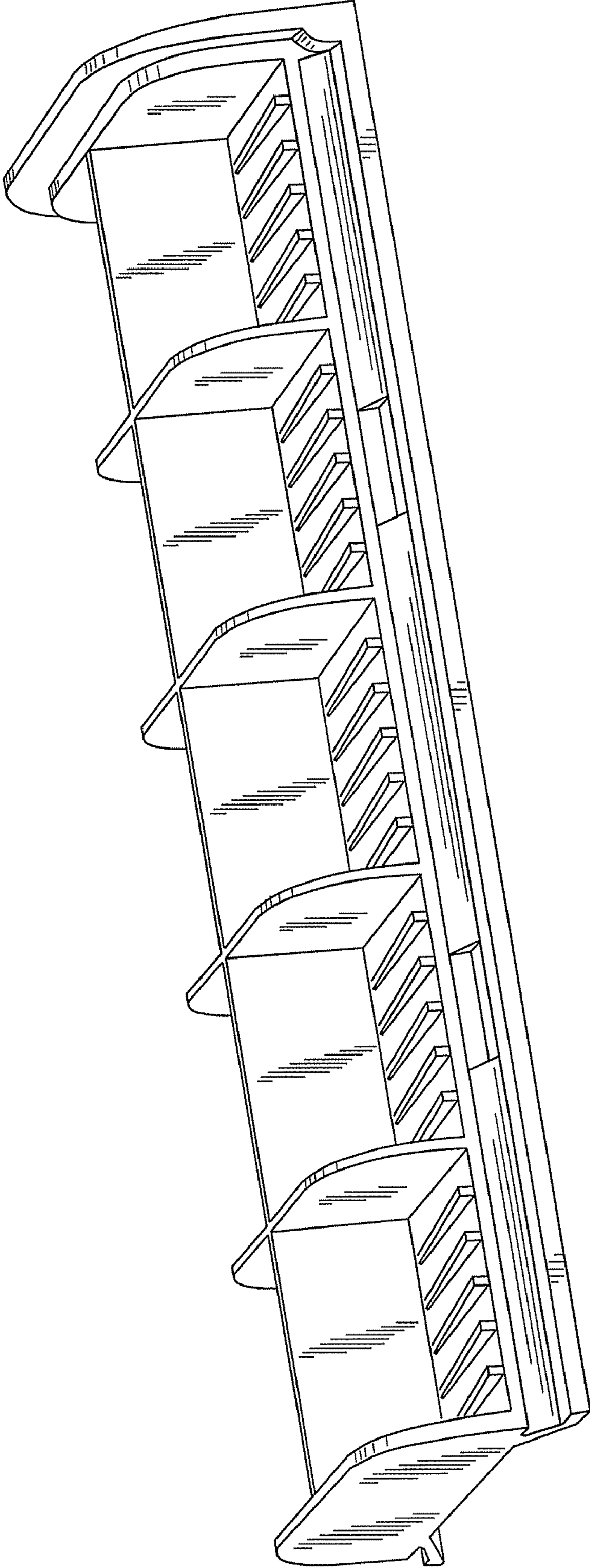


FIG. 9