



US00D644507S

(12) **United States Design Patent**  
**Lee et al.**

(10) **Patent No.:** **US D644,507 S**  
(45) **Date of Patent:** **\*\* Sep. 6, 2011**

- (54) **MEDICATE CONTAINER**
- (75) Inventors: **Richard M. Lee**, Volcano, CA (US);  
**Thomas Guschke**, Palm Beach Gardens,  
FL (US)
- (73) Assignee: **Juno Technologies, LLC**, Palm Beach  
Gardens, FL (US)
- (\*\*) Term: **14 Years**
- (21) Appl. No.: **29/384,860**
- (22) Filed: **Feb. 4, 2011**

|               |         |                     |           |
|---------------|---------|---------------------|-----------|
| 3,058,586 A   | 10/1962 | Touart              |           |
| 3,095,085 A   | 6/1963  | Meijer              |           |
| 3,286,872 A   | 11/1966 | Burdick, Jr.        |           |
| 3,305,145 A   | 2/1967  | Tebbutt             |           |
| 3,355,067 A   | 11/1967 | Espinal             |           |
| 3,678,884 A   | 7/1972  | Robbins             |           |
| 3,788,517 A   | 1/1974  | Eannarino et al.    |           |
| 3,863,804 A   | 2/1975  | Infante-Diaz et al. |           |
| 3,872,996 A * | 3/1975  | Dogliotti .....     | 220/254.7 |
| 3,889,847 A   | 6/1975  | Uroshevich et al.   |           |
| D249,931 S    | 10/1978 | Russert             |           |
| D249,932 S    | 10/1978 | Russert             |           |
| 4,126,224 A   | 11/1978 | Laauwe et al.       |           |
| 4,154,353 A   | 5/1979  | Hoo                 |           |
| 4,483,095 A   | 11/1984 | Webinger            |           |
| D278,207 S *  | 4/1985  | McLaughlin .....    | D3/203.2  |
| 4,591,074 A   | 5/1986  | Kennings            |           |

(Continued)

**Related U.S. Application Data**

- (63) Continuation of application No. 12/823,238, filed on  
Jun. 25, 2010.
- (51) **LOC (9) Cl.** ..... **09-03**
- (52) **U.S. Cl.** ..... **D9/417**
- (58) **Field of Classification Search** ..... D9/414-418,  
D9/420-424, 426, 432, 435, 436; D3/201,  
D3/273, 282, 294; 229/125.08, 125.09, 125.14,  
229/123.1; 220/253, 810, 254.1-254.7, 836,  
220/376, 377, 259.1, DIG. 12; 206/806,  
206/822

See application file for complete search history.

**References Cited**

**U.S. PATENT DOCUMENTS**

|              |         |                |        |
|--------------|---------|----------------|--------|
| 349,761 A    | 9/1886  | Stebbins       |        |
| 409,029 A    | 8/1889  | Elliott        |        |
| 792,104 A    | 6/1905  | Woerner        |        |
| 2,103,520 A  | 12/1937 | Donnelly       |        |
| 2,172,547 A  | 9/1939  | Ruth           |        |
| 2,353,629 A  | 7/1944  | Apfelbaum      |        |
| 2,426,911 A  | 9/1947  | Williamson     |        |
| 2,492,864 A  | 12/1949 | Hermani        |        |
| 2,580,096 A  | 12/1951 | Holt et al.    |        |
| 2,631,763 A  | 3/1953  | Sutton         |        |
| D174,300 S * | 3/1955  | Waterman ..... | D9/425 |

**OTHER PUBLICATIONS**

Office Action Issued Dec. 8, 2010 in U.S. Appl. No. 12/823,238.

*Primary Examiner* — Thomas Johannes

(74) *Attorney, Agent, or Firm* — Panitch Schwarze Belisario  
& Nadel LLP

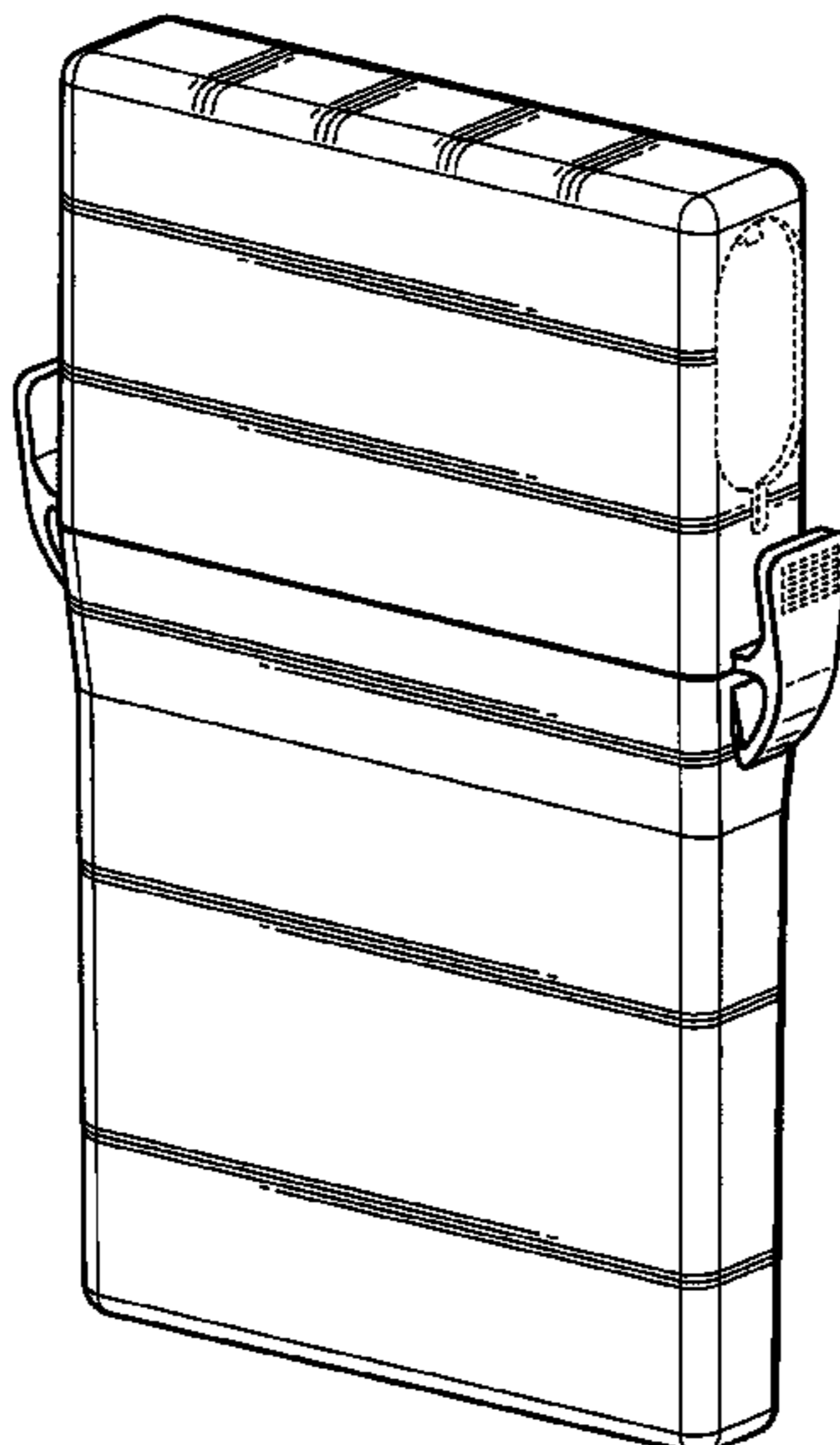
**CLAIM**

(57) The ornamental design for a medicate container, as shown  
and described.

**DESCRIPTION**

FIG. 1 is a front perspective view of a medicate container in  
accordance with our new design;  
FIG. 2 is a front elevation view thereof;  
FIG. 3 is a right side elevation view thereof;  
FIG. 4 is a rear elevation view thereof;  
FIG. 5 is a left side elevation view thereof;  
FIG. 6 is a top plan view thereof; and,  
FIG. 7 is a bottom plan view thereof.  
The broken lines in the figures show unclaimed subject matter  
only and form no part of the claimed design.

**1 Claim, 4 Drawing Sheets**



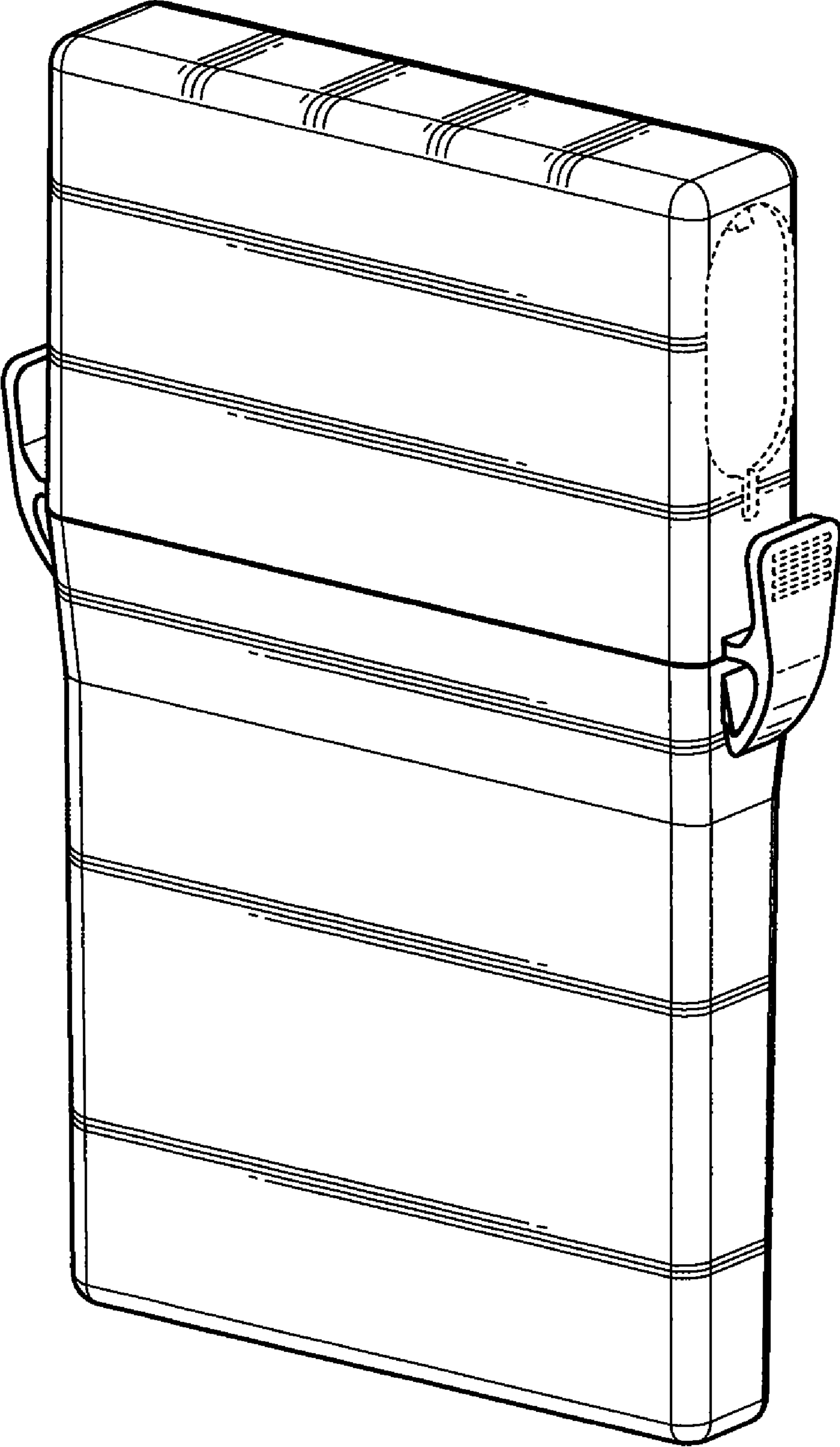
# US D644,507 S

Page 2

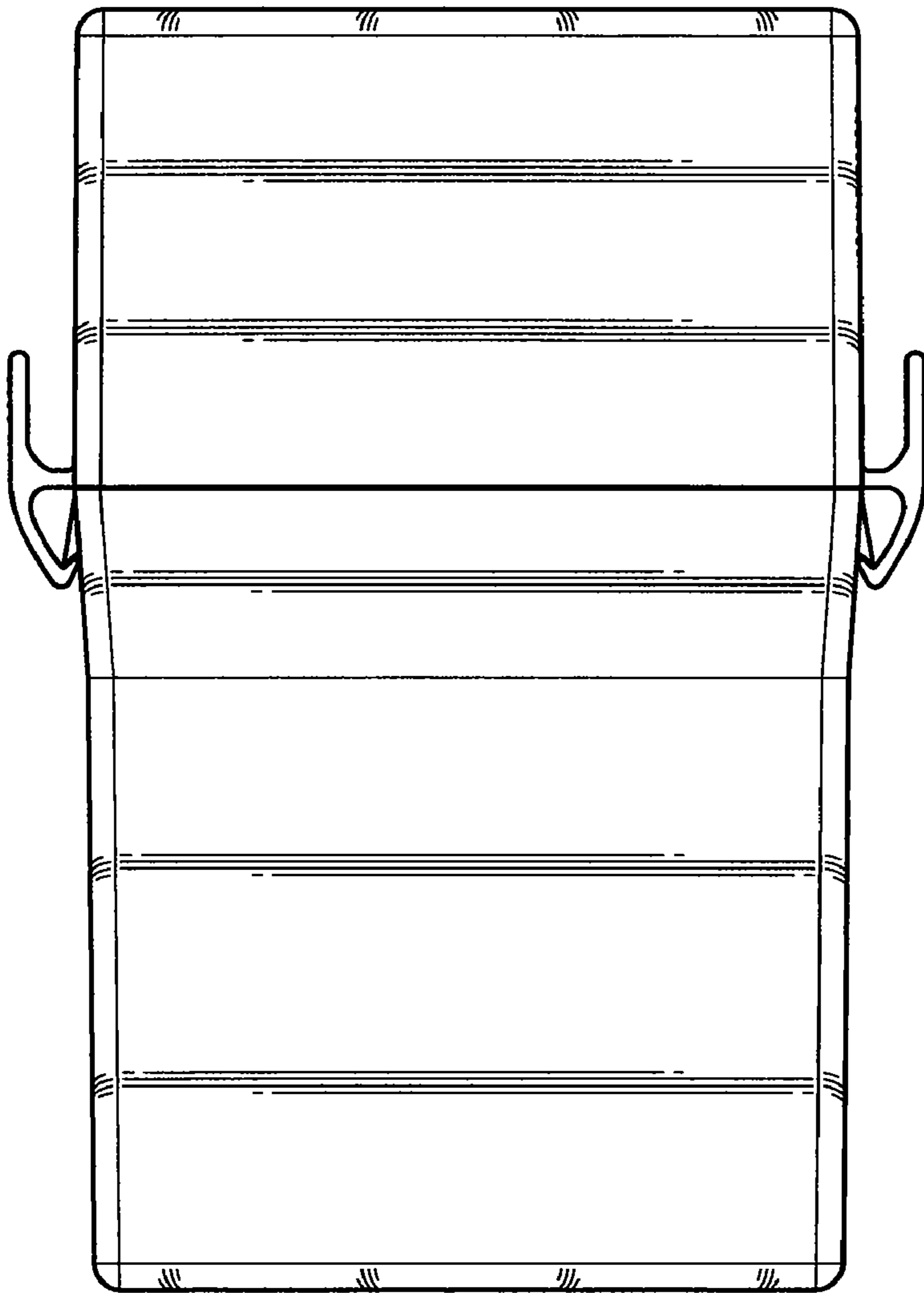
## U.S. PATENT DOCUMENTS

|              |         |                  |          |                   |         |                        |         |
|--------------|---------|------------------|----------|-------------------|---------|------------------------|---------|
| D286,506 S   | 11/1986 | Poore et al.     |          | D485,754 S *      | 1/2004  | Fielder et al. ....    | D9/416  |
| D298,512 S * | 11/1988 | Gotlib .....     | D3/203.4 | 6,672,471 B2      | 1/2004  | Cross                  |         |
| 4,893,728 A  | 1/1990  | Jennings et al.  |          | 6,953,131 B2      | 10/2005 | Devine                 |         |
| 4,971,203 A  | 11/1990 | Weinstein        |          | D513,584 S *      | 1/2006  | Solowiejko et al. .... | D9/417  |
| 5,080,222 A  | 1/1992  | McNary           |          | D523,743 S *      | 6/2006  | Solowiejko et al. .... | D9/417  |
| 5,082,137 A  | 1/1992  | Weinstein        |          | 7,140,511 B2      | 11/2006 | Baker et al.           |         |
| D324,175 S   | 2/1992  | Beck             |          | D542,661 S        | 5/2007  | Adler et al.           |         |
| 5,099,999 A  | 3/1992  | Balien           |          | D545,186 S *      | 6/2007  | Liebe et al. ....      | D9/420  |
| 5,141,129 A  | 8/1992  | Jennings         |          | D549,573 S *      | 8/2007  | Liebe et al. ....      | D9/420  |
| 5,169,003 A  | 12/1992 | Traupman         |          | D554,990 S *      | 11/2007 | Terrasi .....          | D9/432  |
| D332,347 S * | 1/1993  | Raad et al. .... | D3/20    | 7,311,205 B2      | 12/2007 | Adler et al.           |         |
| 5,285,897 A  | 2/1994  | Ozaki            |          | D568,736 S        | 5/2008  | Born et al.            |         |
| 5,405,011 A  | 4/1995  | Haber et al.     |          | 7,413,082 B2      | 8/2008  | Adler et al.           |         |
| 5,405,047 A  | 4/1995  | Hansen           |          | D598,295 S        | 8/2009  | Miceli et al.          |         |
| D364,344 S * | 11/1995 | Shaw .....       | D9/421   | 7,708,142 B2      | 5/2010  | Ehrlund                |         |
| D375,455 S   | 11/1996 | Uhl et al.       |          | D616,753 S        | 6/2010  | Beam et al.            |         |
| 5,579,933 A  | 12/1996 | Hofmann          |          | 2007/0284277 A1   | 12/2007 | Gnepper                |         |
| 5,709,306 A  | 1/1998  | Hofmann          |          | 2008/0011761 A1   | 1/2008  | Gnepper et al.         |         |
| 5,718,347 A  | 2/1998  | Walker et al.    |          | 2009/0266837 A1   | 10/2009 | Gelardi et al.         |         |
| 5,947,345 A  | 9/1999  | Hofmann          |          | 2011/0000814 A1 * | 1/2011  | Lee et al. ....        | 206/528 |
| 6,095,364 A  | 8/2000  | Dickie et al.    |          |                   |         |                        |         |

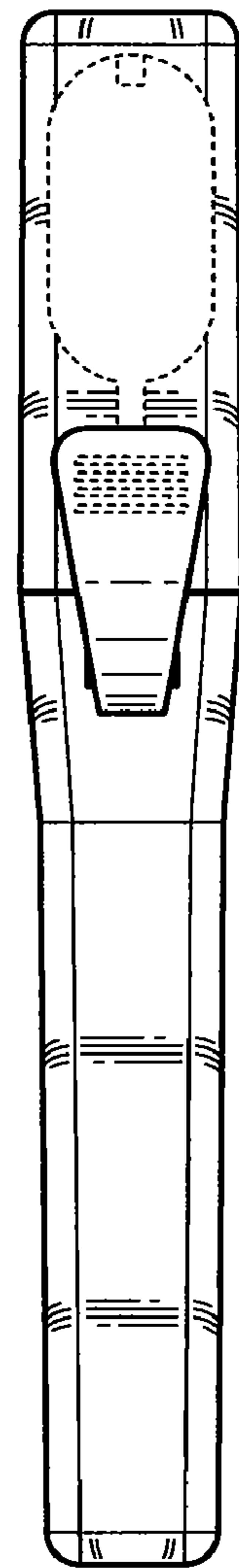
\* cited by examiner



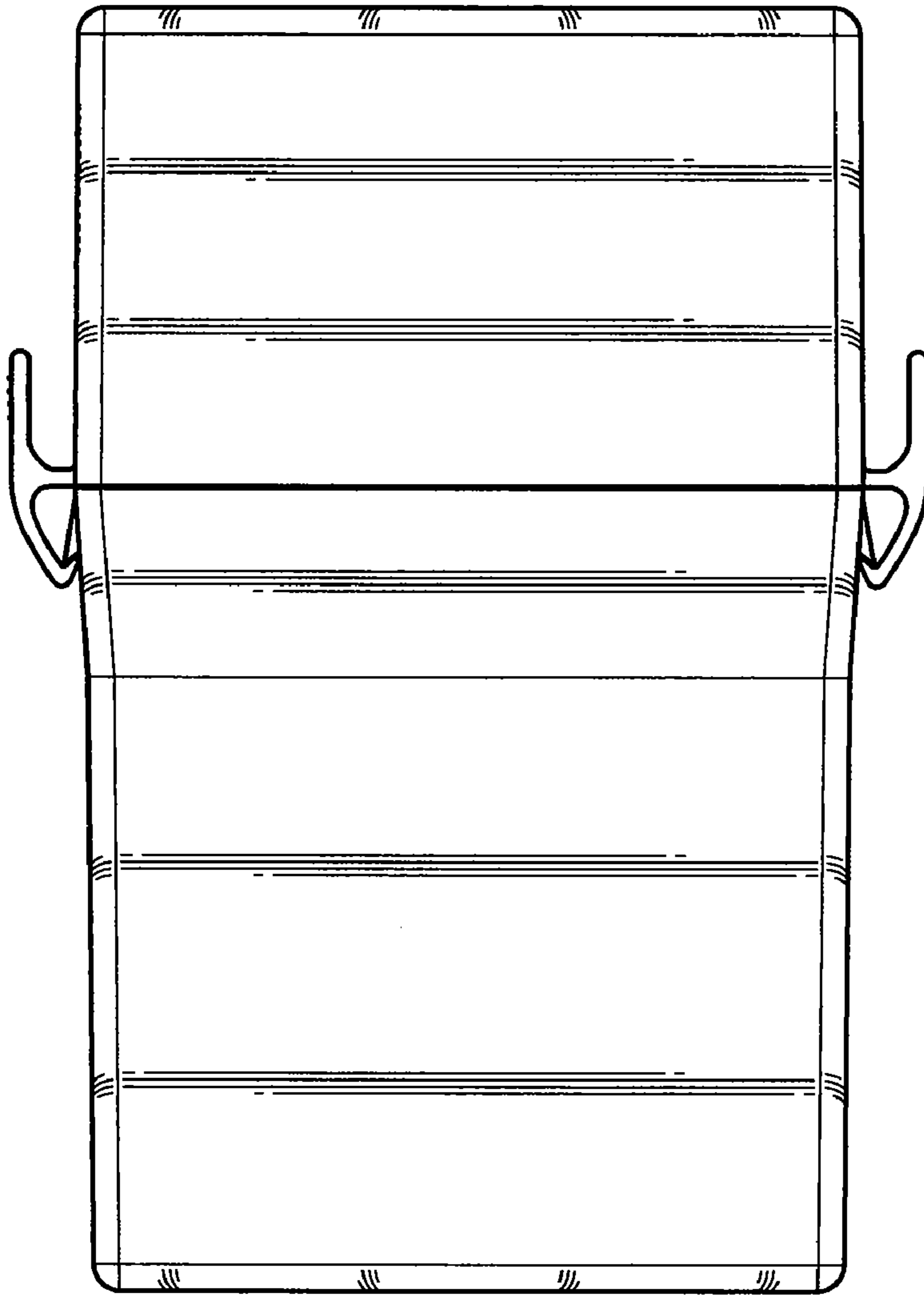
**FIG. 1**



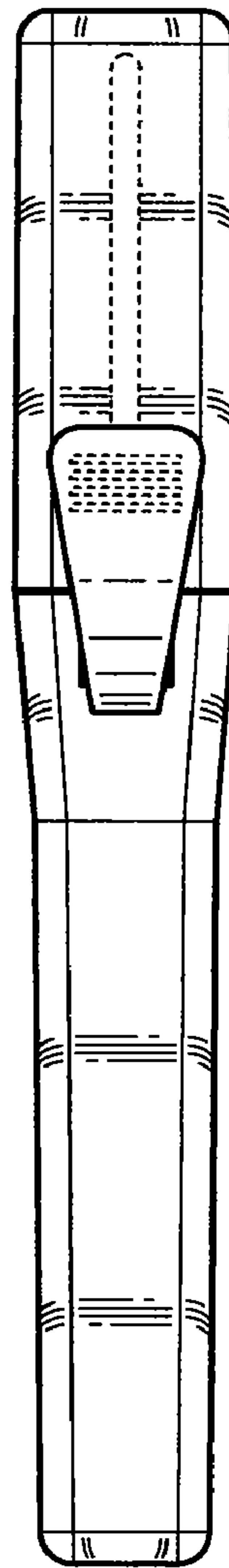
**FIG. 2**



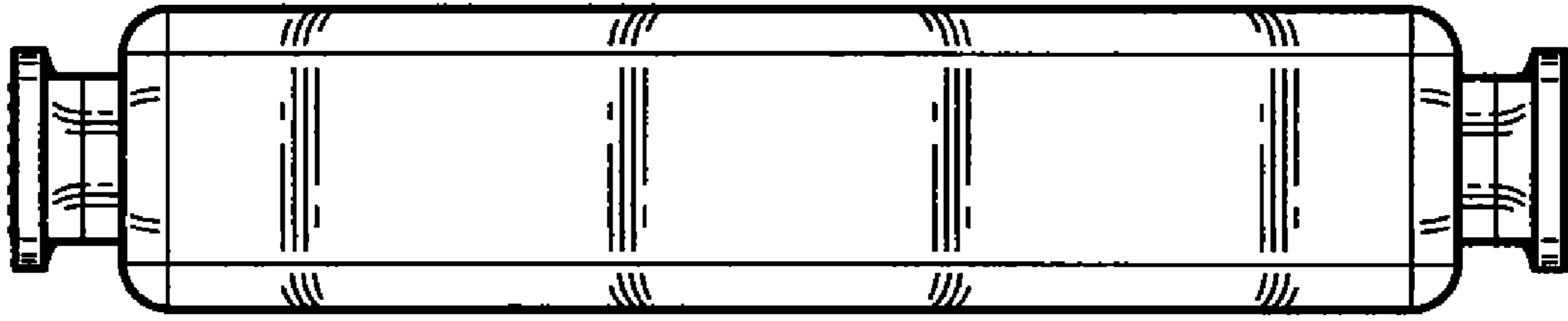
**FIG. 3**



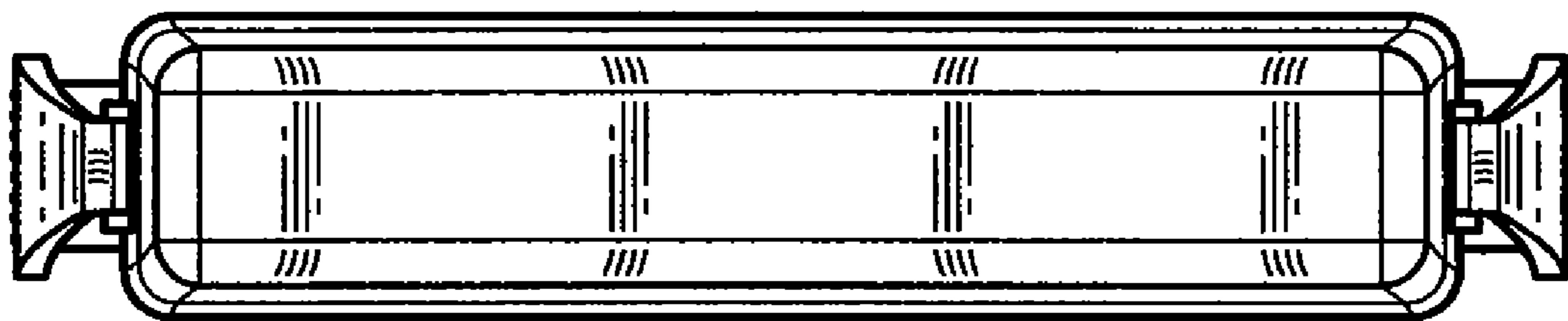
**FIG. 4**



**FIG. 5**



**FIG. 6**



**FIG. 7**