



US00D644505S

(12) **United States Design Patent**
Hall

(10) **Patent No.:** **US D644,505 S**

(45) **Date of Patent:** **** *Sep. 6, 2011**

(54) **TOP CRESCENT LATTICE ASSEMBLY CLIP**

(75) Inventor: **James Hall**, Clinton Township, MI (US)

(73) Assignee: **Temo, Inc.**, Mt. Clemens, MI (US)

(**) Term: **14 Years**

(21) Appl. No.: **29/295,837**

(22) Filed: **Oct. 9, 2007**

(51) **LOC (9) Cl.** **08-08**

(52) **U.S. Cl.** **D8/395**

(58) **Field of Classification Search** D8/356,
D8/371, 394-396; 24/570; 248/74.2, 215,
248/227.1, 49, 300, 301, 316.7, 51, 489;
D19/65, 56

See application file for complete search history.

(56) **References Cited**

U.S. PATENT DOCUMENTS

D140,381 S *	2/1945	Anderson	D8/383
D371,294 S *	7/1996	Anquetin	D8/385
6,095,155 A *	8/2000	Criscuolo	132/278
D499,143 S *	11/2004	Wien et al.	D19/67

D531,492 S *	11/2006	Tilman	D8/395
D556,019 S *	11/2007	Symons	D8/356
D590,993 S *	4/2009	Hsu	D28/43
D590,994 S *	4/2009	Hsu	D28/43
D591,906 S *	5/2009	Hsu	D28/43
2004/0099432 A1 *	5/2004	Zimmerman	174/68.3

* cited by examiner

Primary Examiner — Celia Murphy

Assistant Examiner — John Windmuller

(74) *Attorney, Agent, or Firm* — Dobrusin & Thennisch PC

(57) **CLAIM**

The ornamental design for a top crescent lattice assembly clip, as shown.

DESCRIPTION

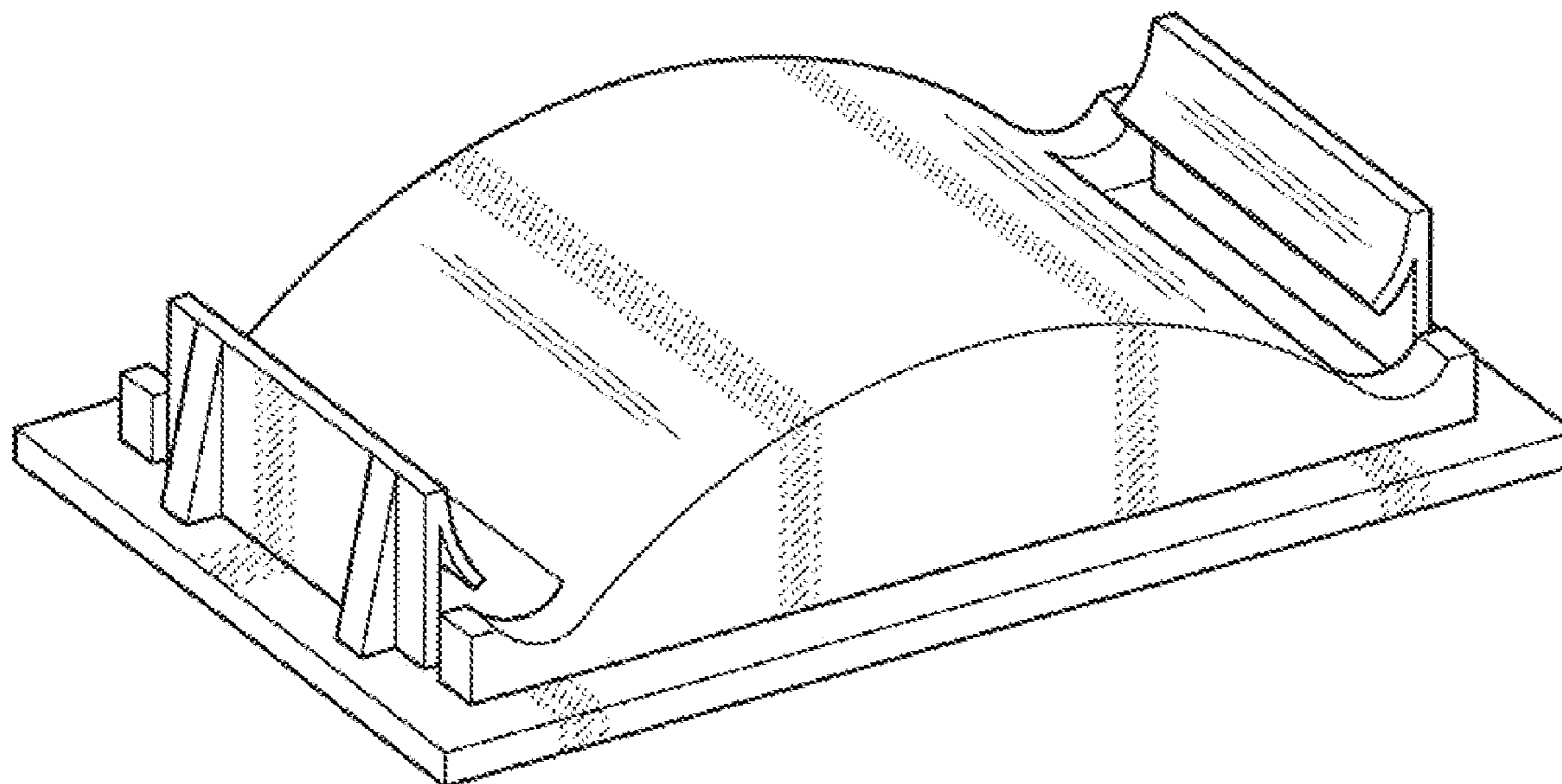
FIG. 1 is a perspective view of a top crescent lattice assembly clip showing my new design;

FIG. 2 is a top plan view thereof; and,

FIG. 3 is a side elevation view thereof.

Bottom view portions of the top crescent lattice assembly clip and any other portions not shown form no part of the claimed design.

1 Claim, 1 Drawing Sheet



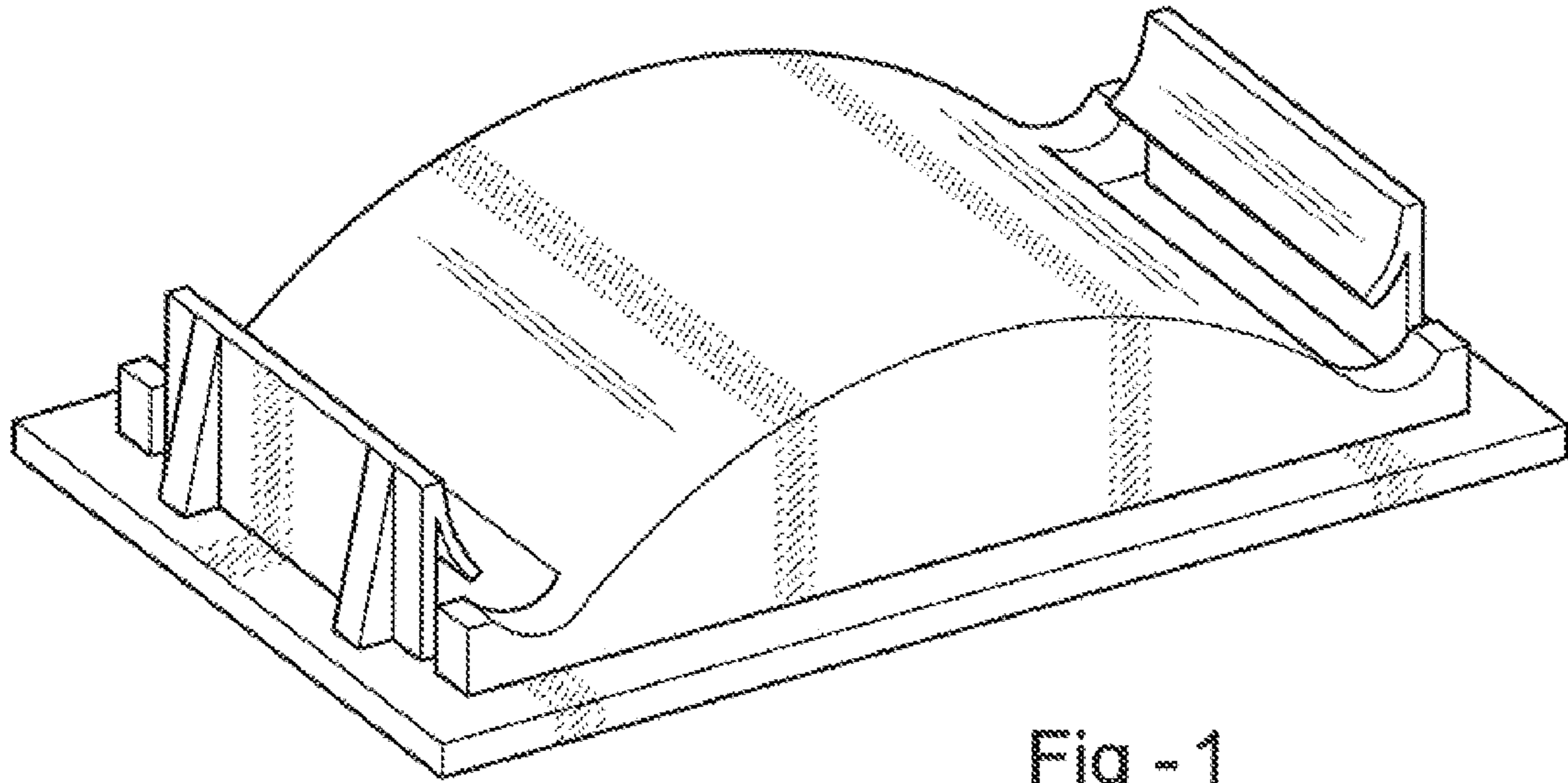


Fig - 1

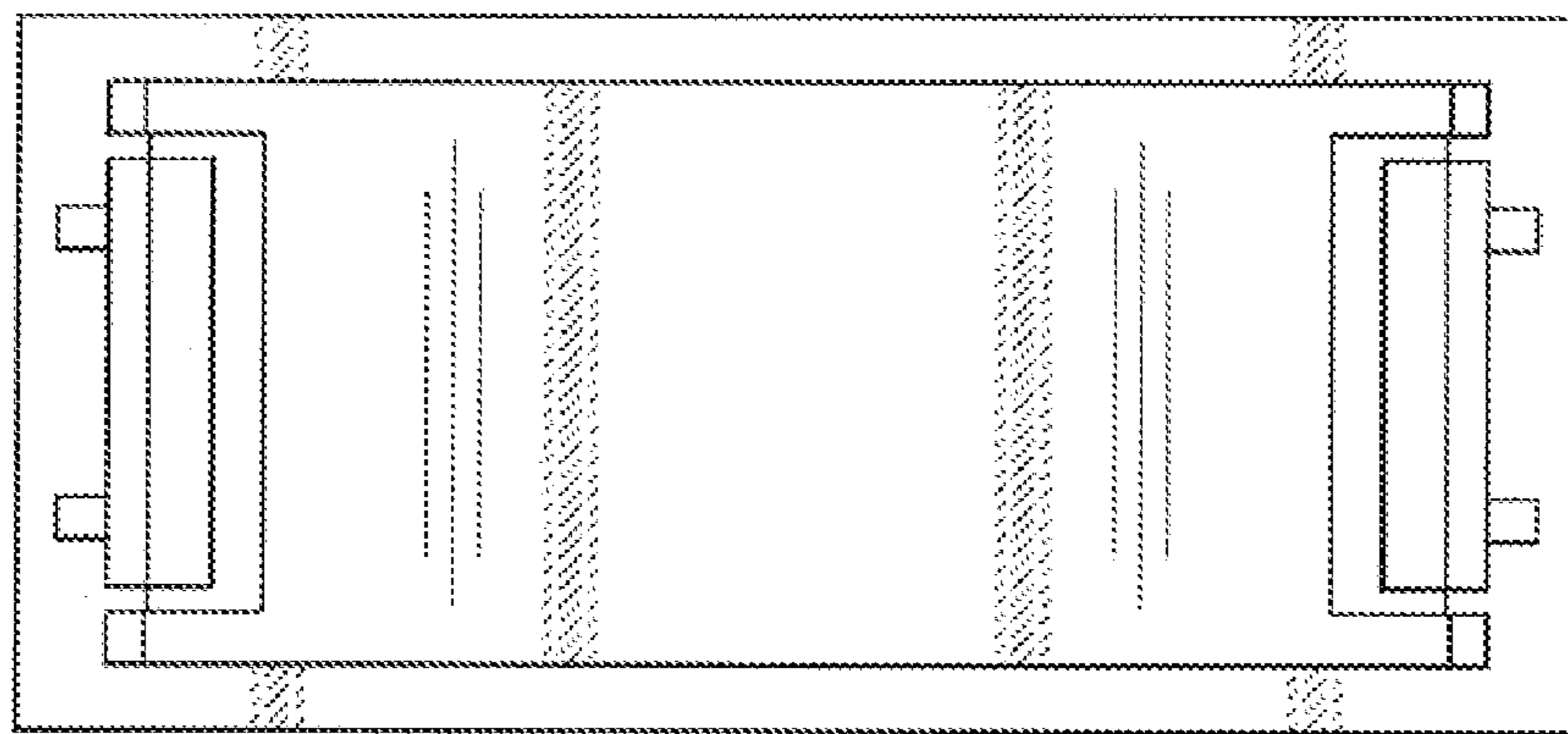


Fig - 2



Fig - 3