



US00D644503S

(12) **United States Design Patent**  
**Crane et al.**

(10) **Patent No.:** **US D644,503 S**

(45) **Date of Patent:** **\*\* Sep. 6, 2011**

(54) **STEEL STUD DEFLECTION CONNECTOR**

(76) Inventors: **James Anthony Crane**, York, SC (US);  
**Fred J. Serpico**, Fayetteville, GA (US)

(\*\*) Term: **14 Years**

(21) Appl. No.: **29/361,685**

(22) Filed: **May 13, 2010**

(51) **LOC (9) Cl.** ..... **08-08**

(52) **U.S. Cl.** ..... **D8/382; D8/354**

(58) **Field of Classification Search** ..... D8/382,  
D8/349, 354; 248/300, 214; 403/403; 52/715  
See application file for complete search history.

(56) **References Cited**

U.S. PATENT DOCUMENTS

D267,699	S *	1/1983	Prawl	.....	D8/380
D330,502	S *	10/1992	Rana	.....	D8/349
D371,506	S *	7/1996	Nofziger	.....	D8/354
D375,038	S *	10/1996	Trevorrow	.....	D8/354
5,664,392	A *	9/1997	Mucha	.....	52/715
5,846,018	A *	12/1998	Frobosilo et al.	.....	403/403
5,906,080	A	5/1999	diGirolamo et al.		
D434,304	S *	11/2000	Willett	.....	D8/354
6,213,679	B1 *	4/2001	Frobosilo et al.	.....	403/403
D442,471	S *	5/2001	Willett	.....	D8/354
D472,791	S *	4/2003	Callahan et al.	.....	D8/349
D472,792	S *	4/2003	Callahan et al.	.....	D8/349
6,612,087	B2 *	9/2003	diGirolamo et al.	.....	52/712
6,668,510	B2 *	12/2003	McManus	.....	52/712
6,688,069	B2	2/2004	Zadeh		
7,174,690	B2 *	2/2007	Zadeh	.....	52/715
7,478,508	B2 *	1/2009	Peterson	.....	52/573.1
D598,272	S *	8/2009	Tejszerski	.....	D8/349
D618,085	S *	6/2010	Lin et al.	.....	D8/354
2002/0062617	A1 *	5/2002	diGirolamo et al.	.....	52/688
2004/0118075	A1 *	6/2004	Zadeh	.....	52/715

\* cited by examiner

*Primary Examiner* — Holly Baynham

*Assistant Examiner* — Sheryl Lane

(74) *Attorney, Agent, or Firm* — QuickPatents, Inc.; Kevin Prince

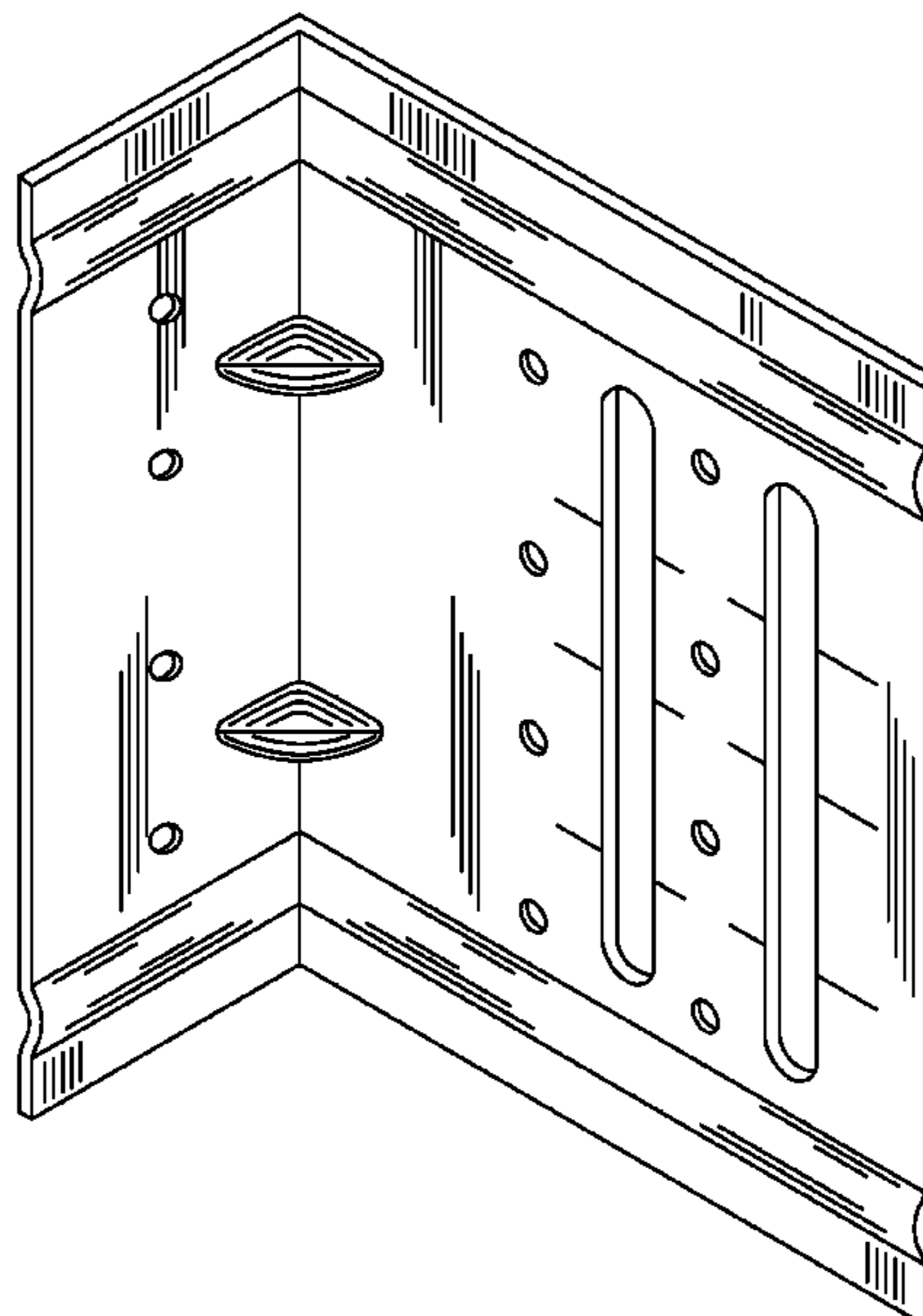
(57) **CLAIM**

What is claimed is the ornamental design for a steel stud deflection connector, as shown and described.

**DESCRIPTION**

FIG. 1 is a perspective view of a first embodiment of a steel stud deflection connector, showing the new design;  
 FIG. 2 is a front elevational view thereof;  
 FIG. 3 is a left-side elevational view thereof;  
 FIG. 4 is a rear elevational view thereof;  
 FIG. 5 is a right-side elevational view thereof;  
 FIG. 6 is a top plan view thereof, the bottom plan view being a mirror image thereof;  
 FIG. 7 is an environmental perspective view, illustrating the first embodiment of the design positioned as though in use;  
 FIG. 8 is a perspective view of a second embodiment of the design;  
 FIG. 9 is a front elevational view thereof;  
 FIG. 10 is a left-side elevational view thereof;  
 FIG. 11 is a rear elevational view thereof;  
 FIG. 12 is a right-side elevational view thereof;  
 FIG. 13 is a top plan view thereof, the bottom plan view being a mirror image thereof; and,  
 FIG. 14 is an environmental perspective view, illustrating the second embodiment of the design positioned as though in use. The broken lines showing building frame elements in FIGS. 7 and 14 are included for the purpose of illustrating the invention in use, and form no part of the claimed design.

**1 Claim, 8 Drawing Sheets**



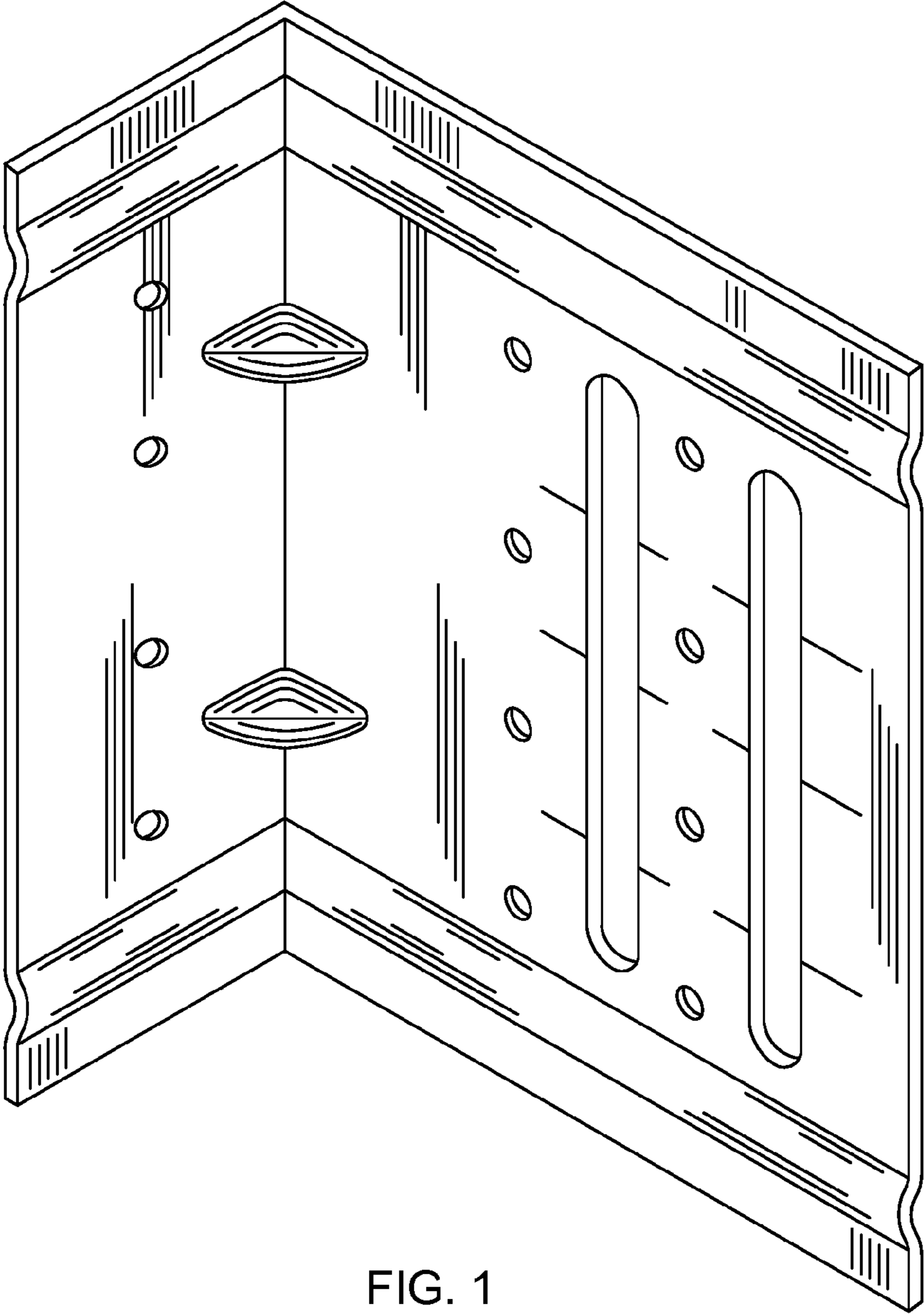


FIG. 1

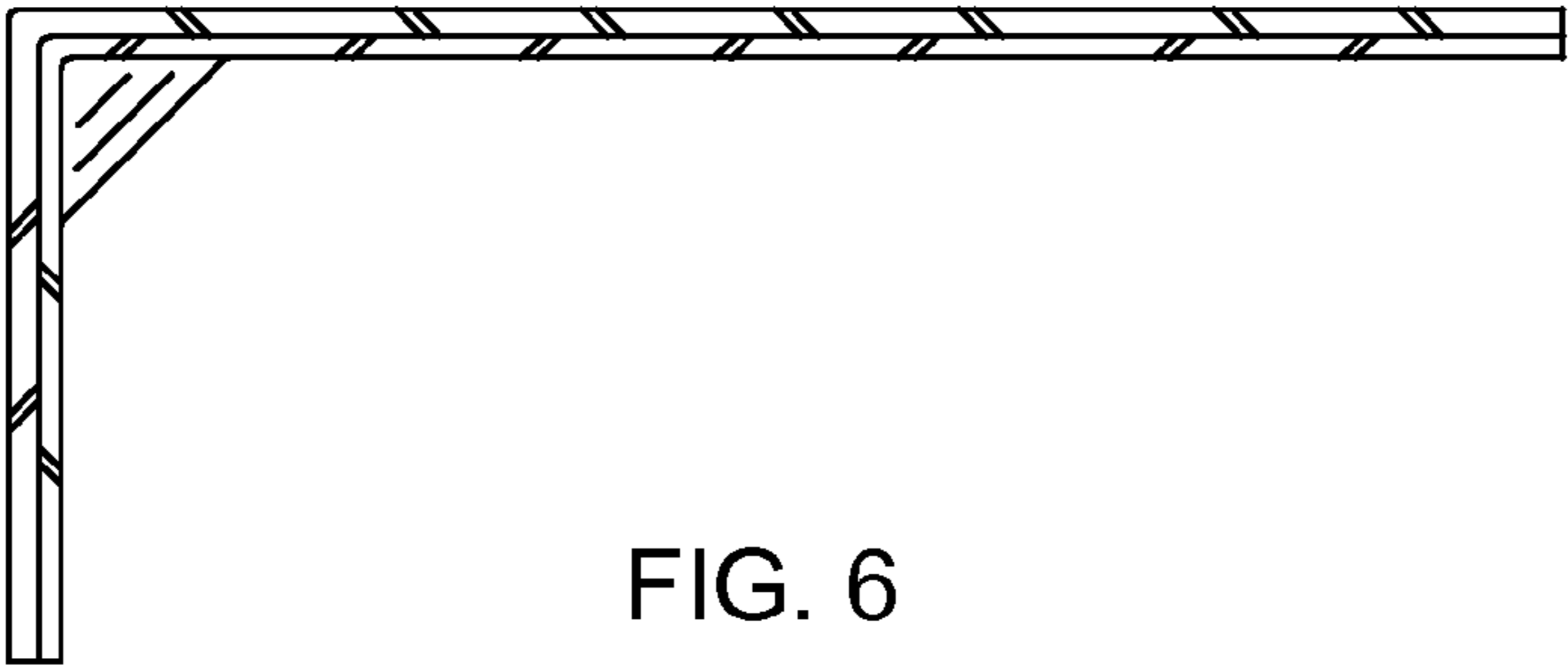


FIG. 6

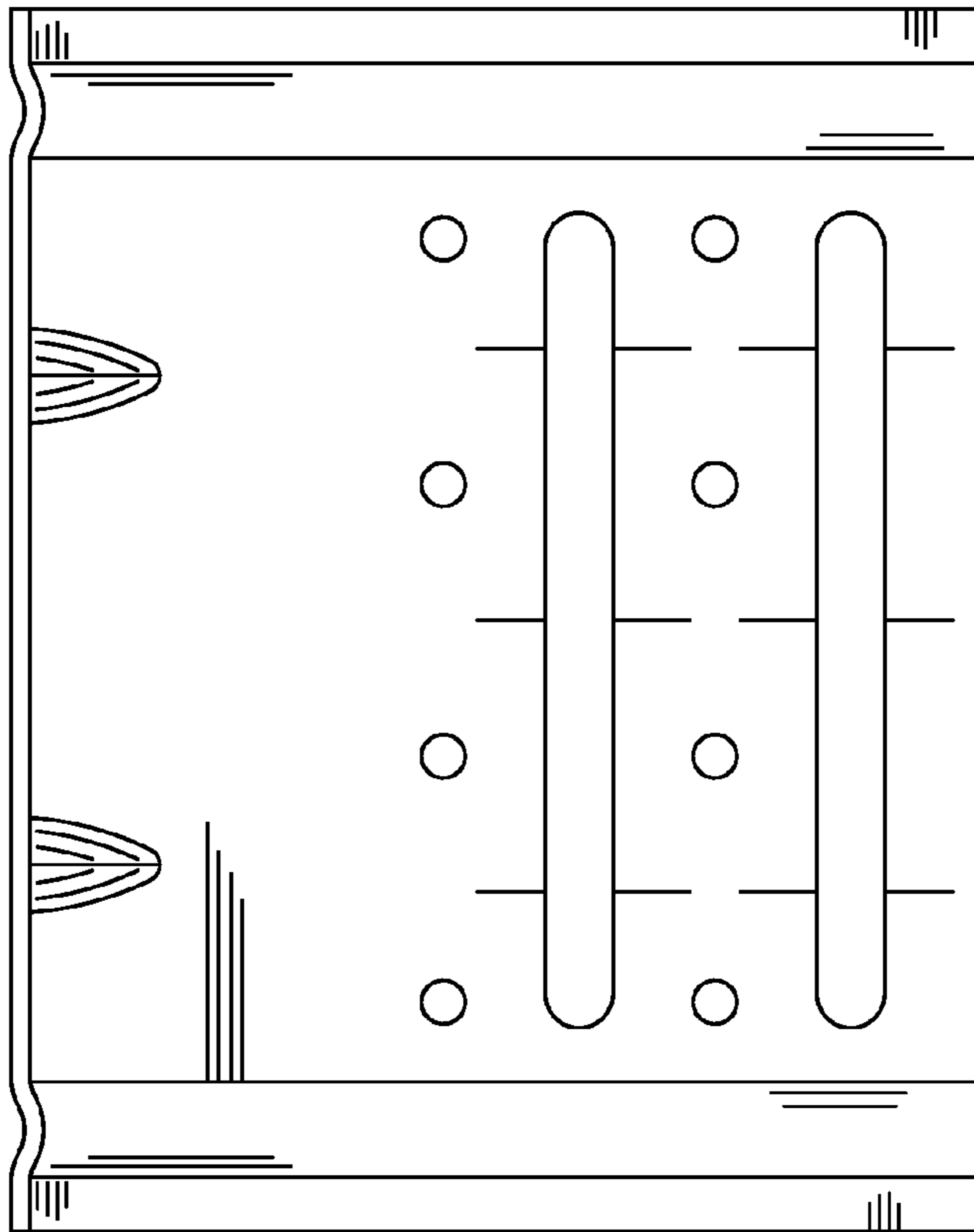


FIG. 2

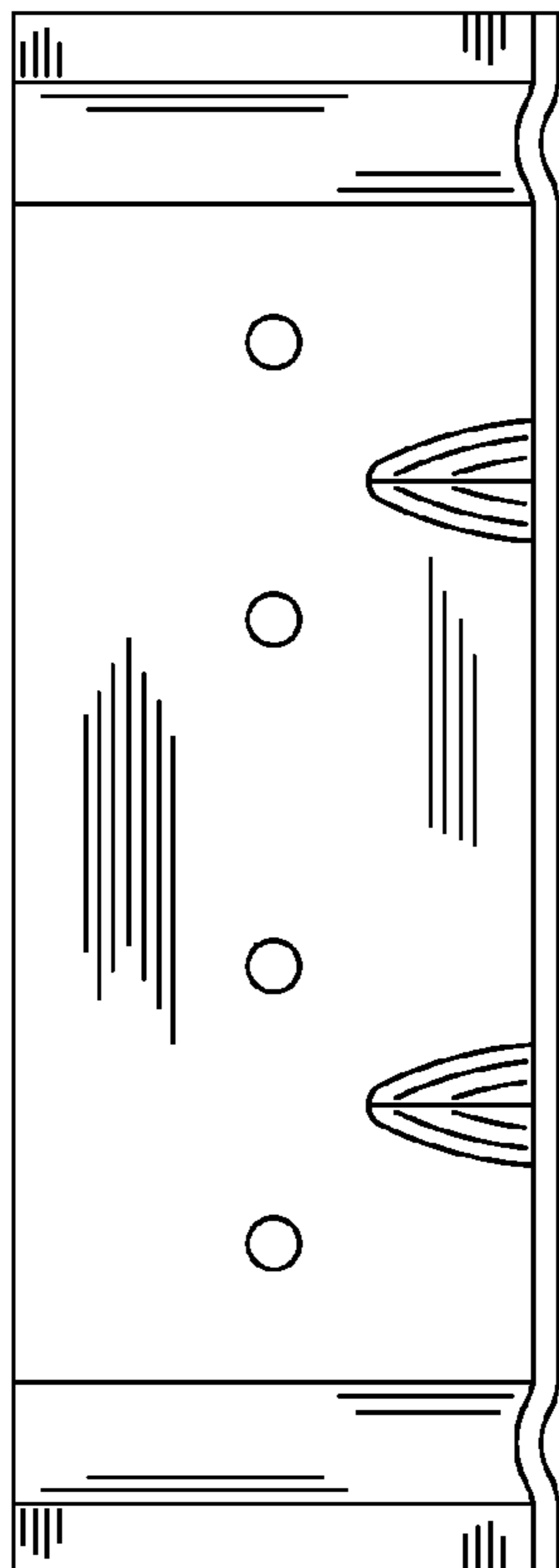


FIG. 3

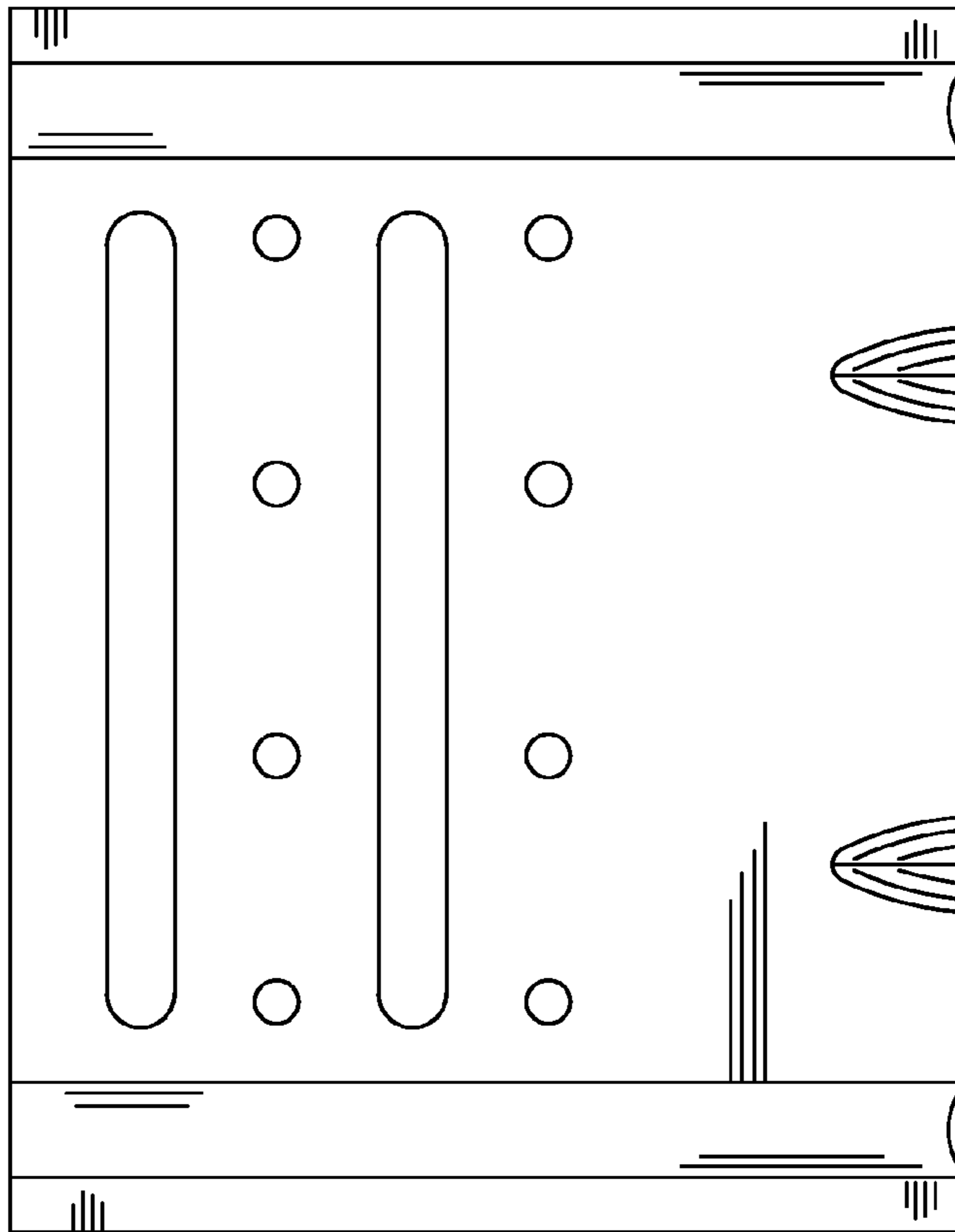


FIG. 4

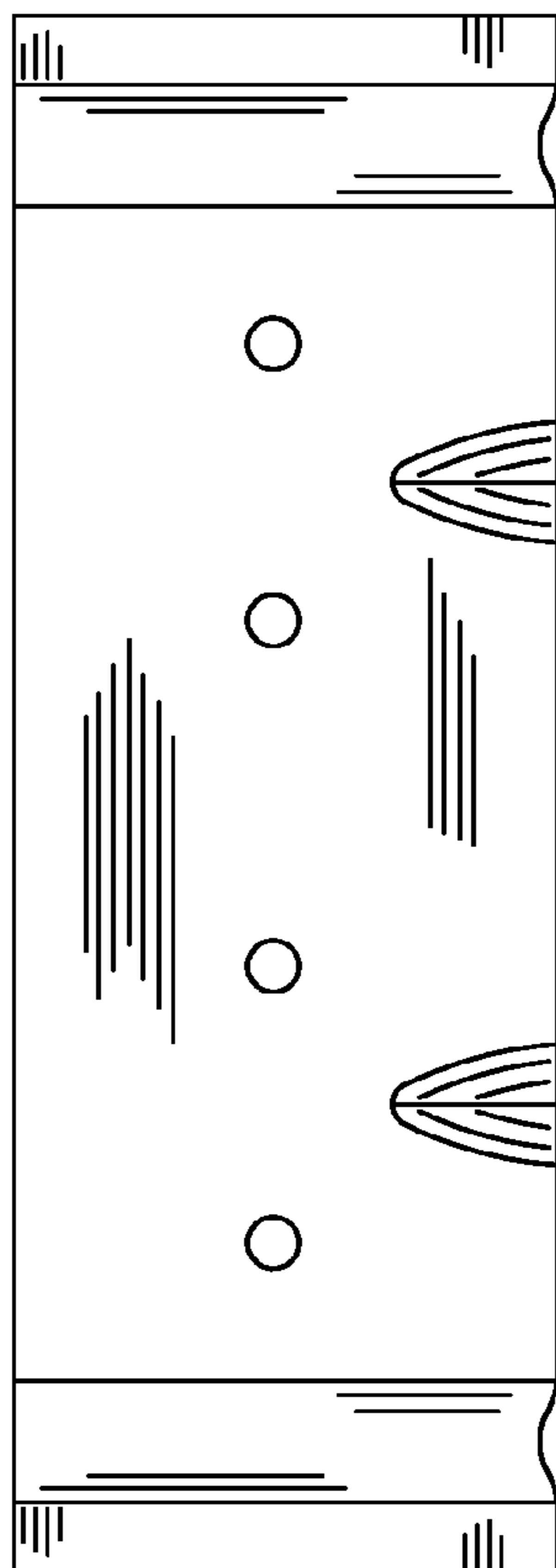


FIG. 5

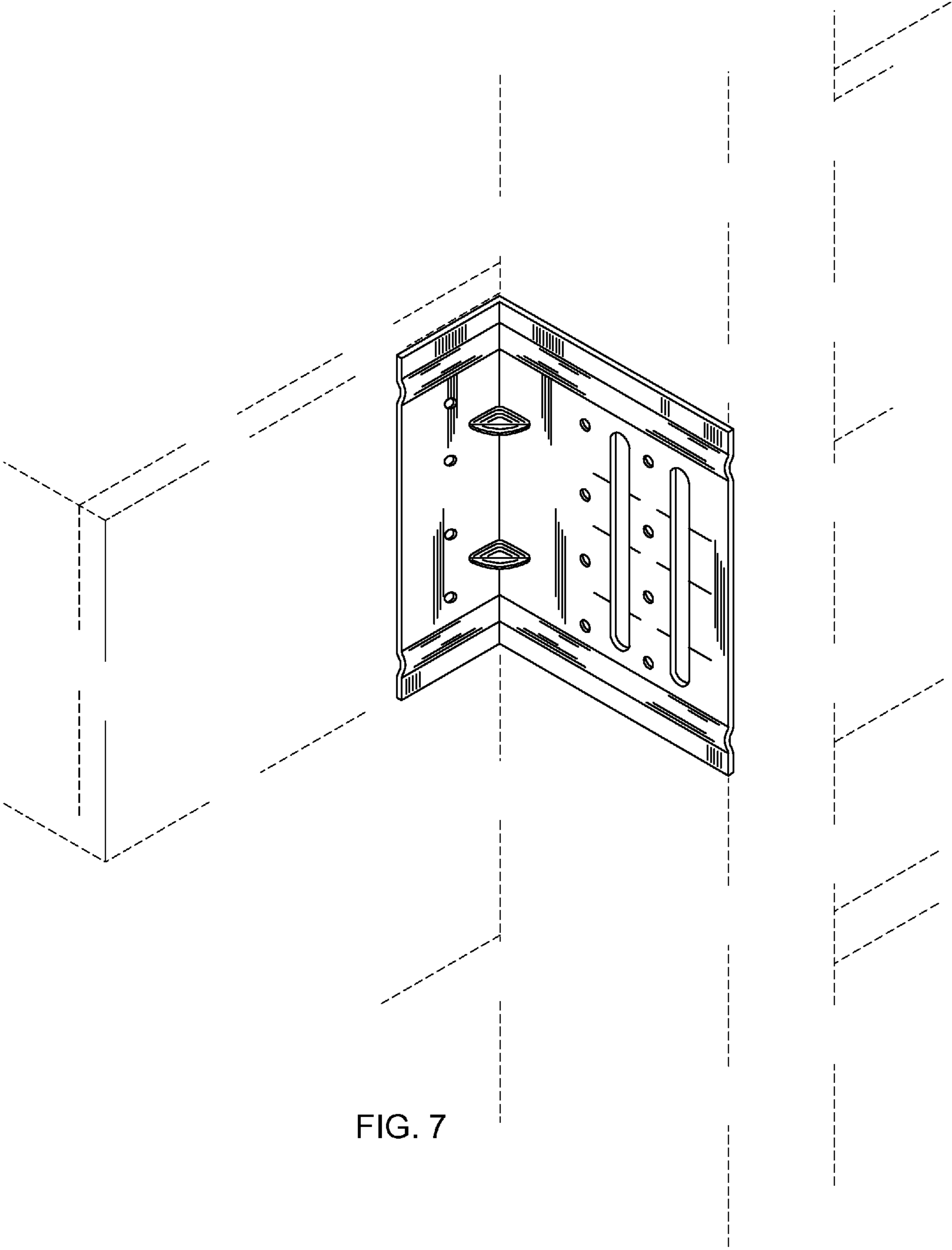


FIG. 7

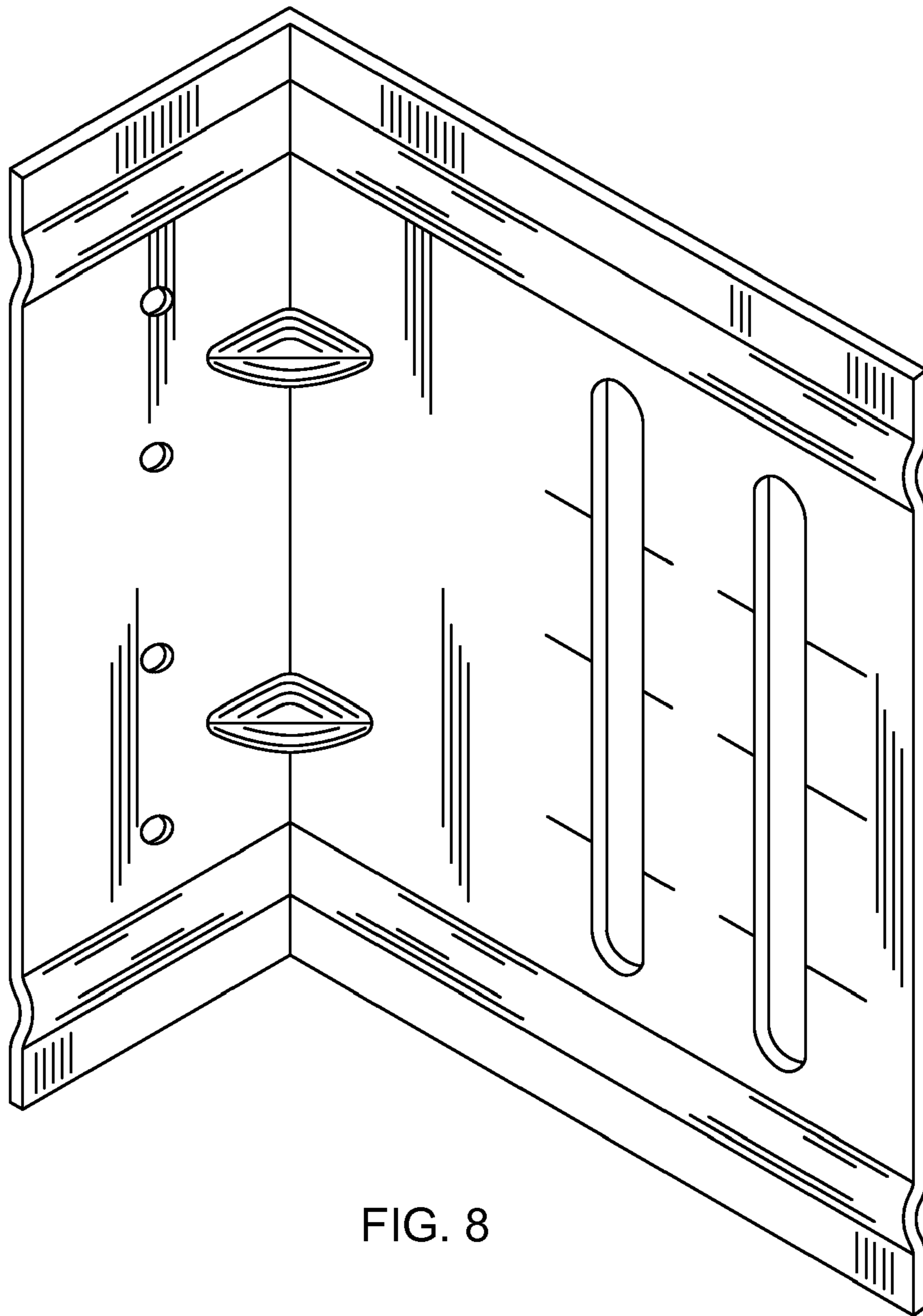


FIG. 8

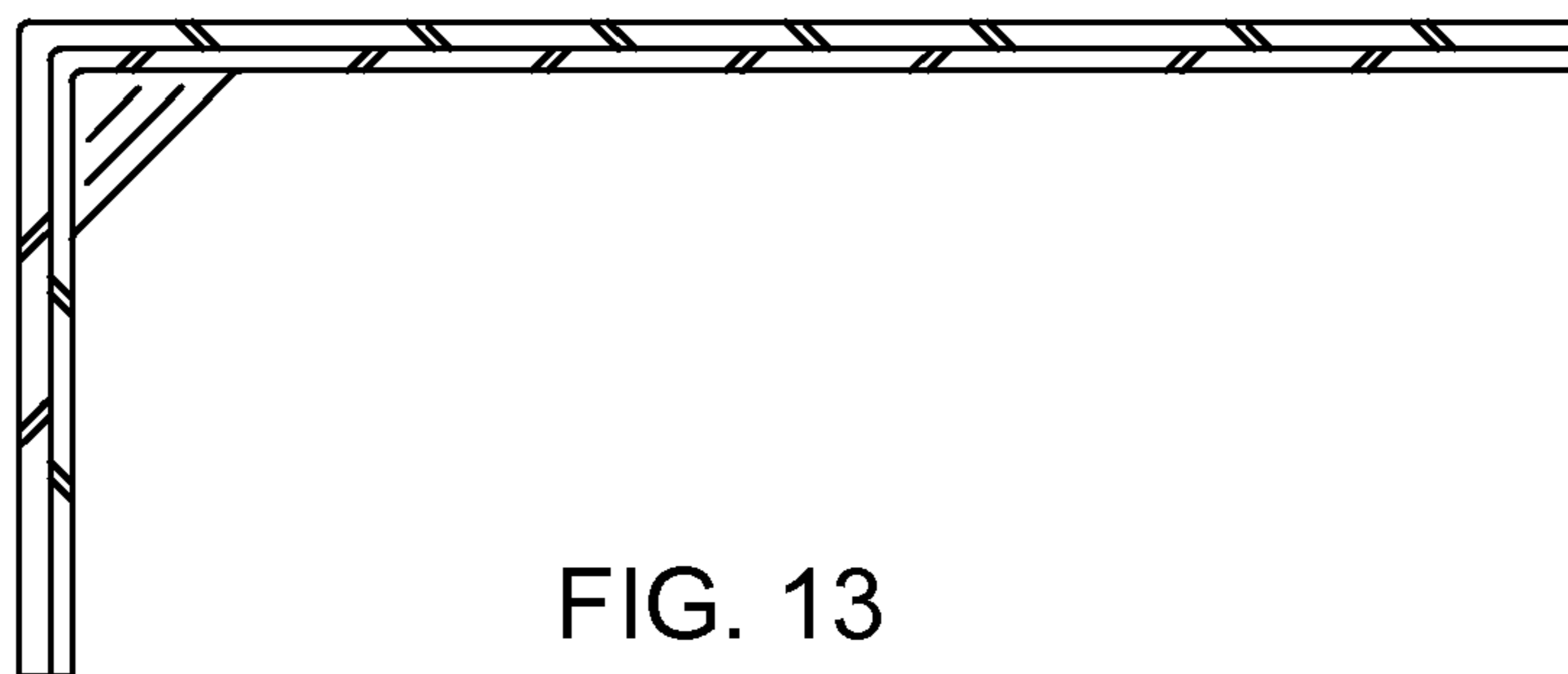


FIG. 13



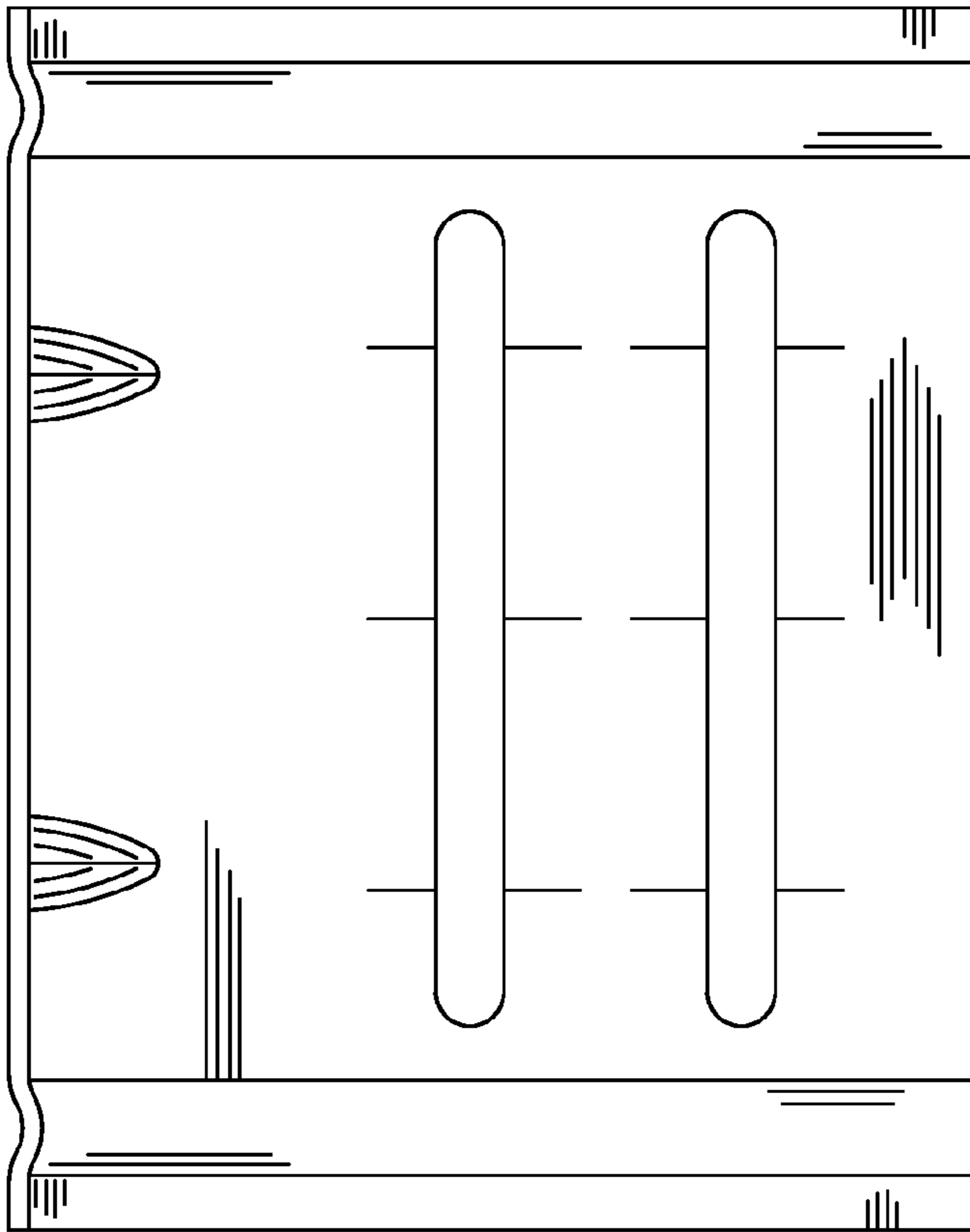


FIG. 9

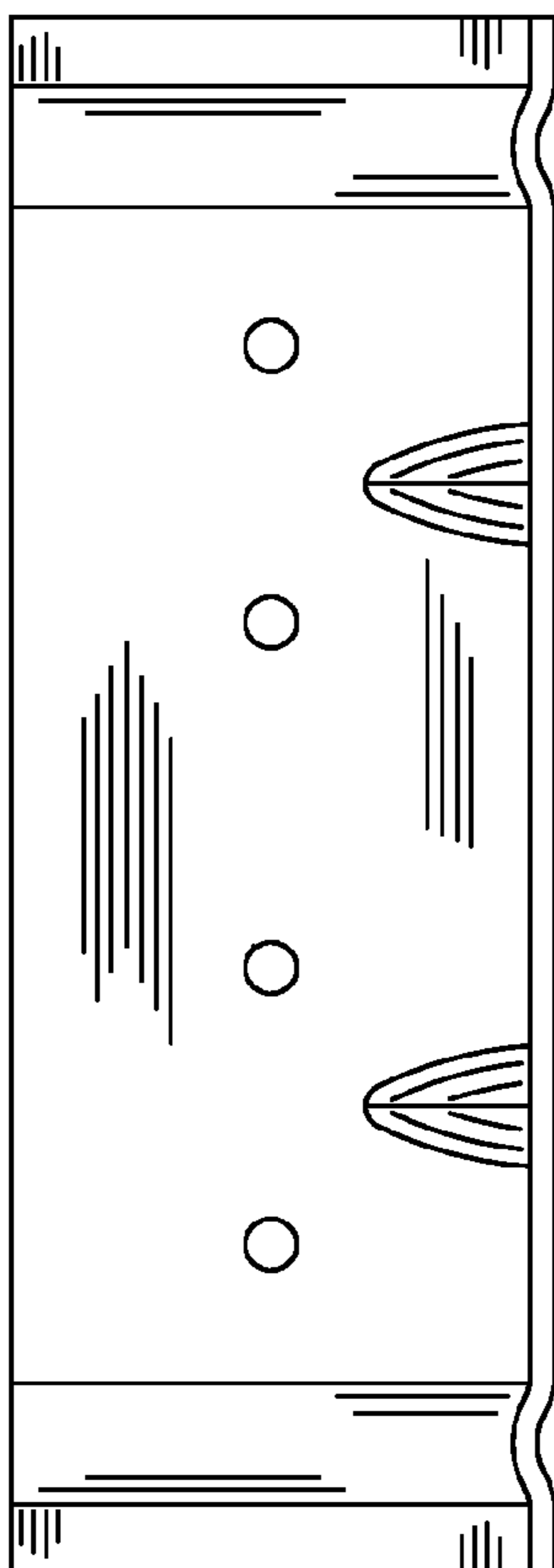


FIG. 10

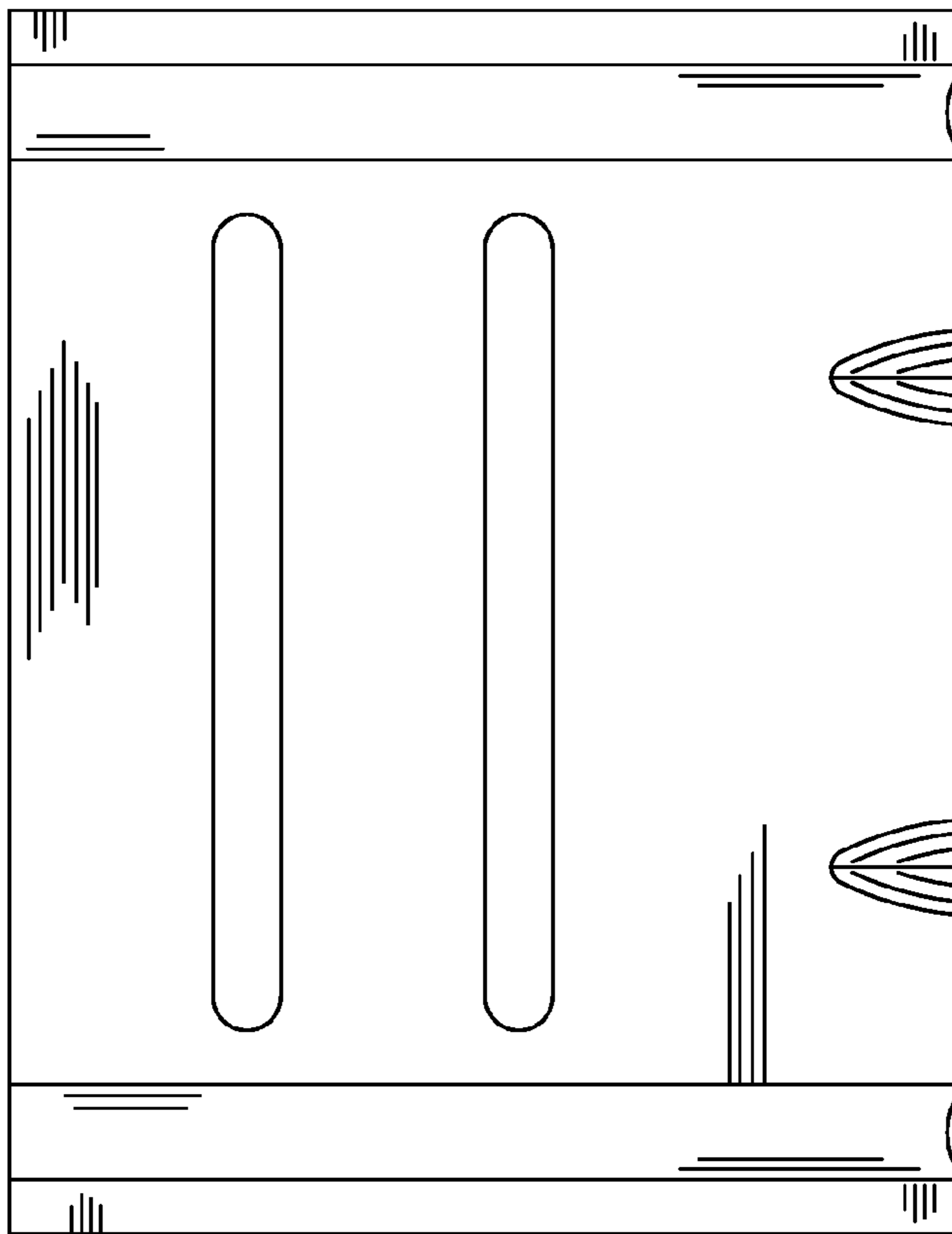


FIG. 11

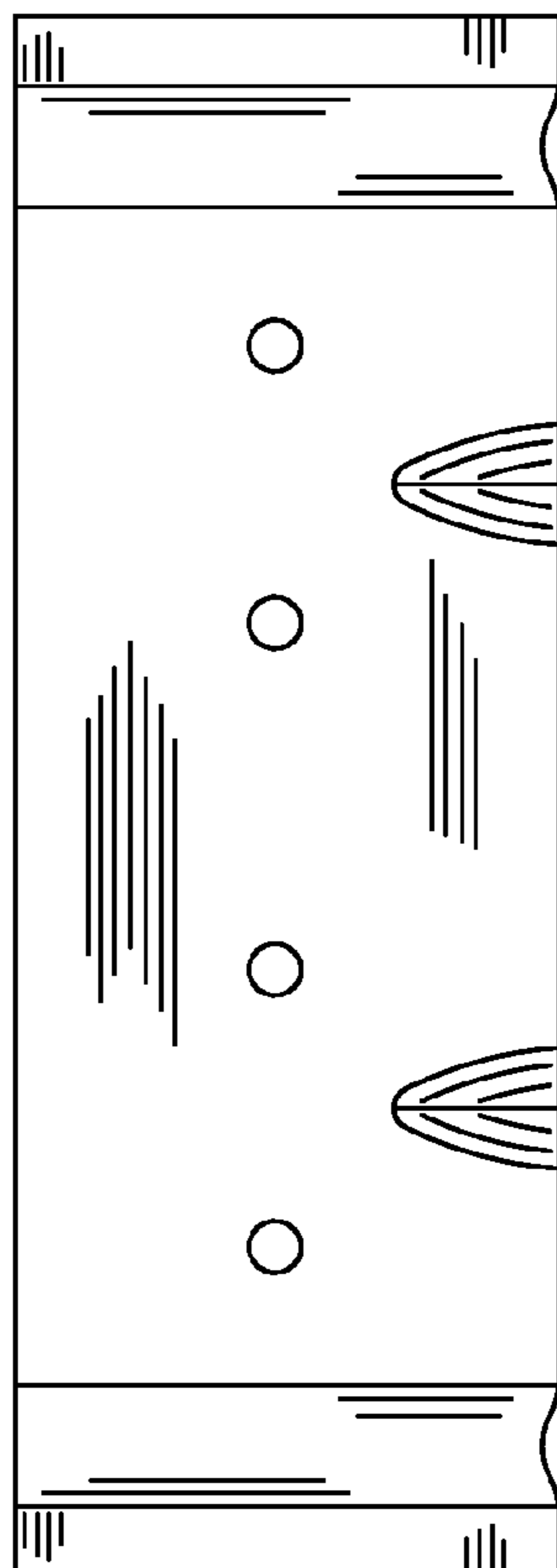


FIG. 12



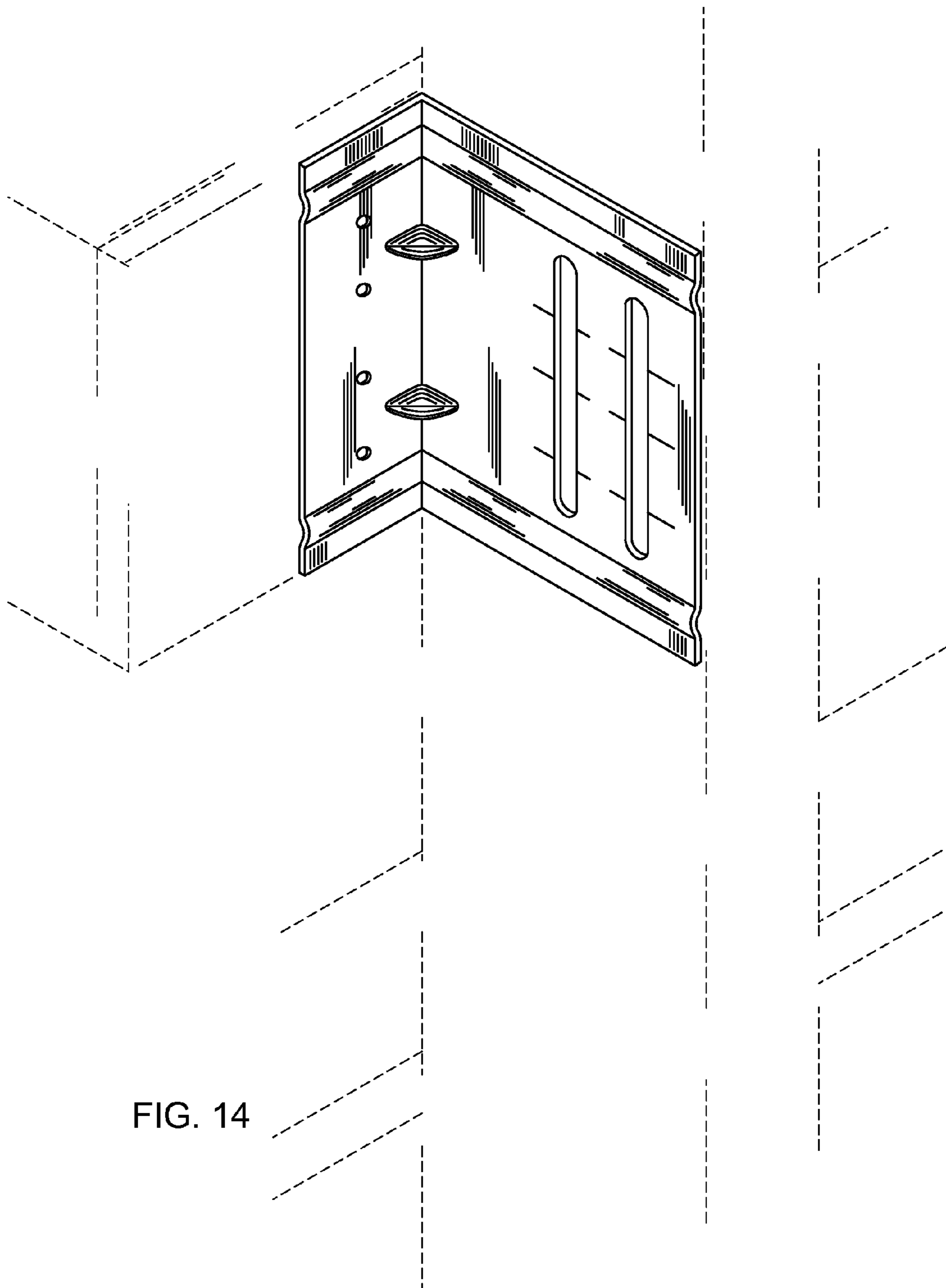


FIG. 14