



US00D644502S

(12) **United States Design Patent**
Portz

(10) **Patent No.:** **US D644,502 S**

(45) **Date of Patent:** **** Sep. 6, 2011**

- (54) **SET OF HOOKS**
 - (76) Inventor: **Thomas J. Portz**, Waukesha, WI (US)
 - (**) Term: **14 Years**
 - (21) Appl. No.: **29/368,218**
 - (22) Filed: **Aug. 20, 2010**
 - (51) **LOC (9) Cl.** **08-05**
 - (52) **U.S. Cl.** **D8/372**
 - (58) **Field of Classification Search** D8/367,
D8/372; 248/301-304
- See application file for complete search history.

- 5,984,250 A 11/1999 Connor
- D425,317 S 5/2000 Snell
- 6,152,419 A 11/2000 Bender
- D436,453 S 1/2001 Gastelum et al.
- 6,338,463 B1 1/2002 Babitz et al.
- D456,695 S 5/2002 Goodman et al.
- D473,453 S 4/2003 Goodman et al.
- D491,791 S 6/2004 Snell
- D491,792 S 6/2004 Snell
- D496,257 S 9/2004 Fields
- D507,034 S 7/2005 Robertson
- D540,659 S 4/2007 Schmidt
- 7,201,355 B1 4/2007 Zien et al.
- D544,067 S 6/2007 Wichem
- D544,220 S 6/2007 McConnell
- D551,481 S 9/2007 Loveless
- D555,754 S 11/2007 Wichem
- D556,292 S 11/2007 Shelton
- D557,120 S 12/2007 Snell

(56) **References Cited**

U.S. PATENT DOCUMENTS

- 224,003 A 2/1880 Drew
- 305,860 A 9/1884 Taylor
- 338,677 A 3/1886 Rubenstien
- 350,807 A 10/1886 Clark
- 371,205 A * 10/1887 McConnoughay 248/304
- 424,239 A 3/1890 Williams et al.
- 505,209 A 9/1893 White
- 750,634 A 1/1904 Gable
- 817,755 A 4/1906 Doyle
- 908,320 A 12/1908 Pagé
- 978,734 A 12/1910 Gordon
- 1,113,001 A 10/1914 Goar
- 1,714,087 A 5/1929 Goldhardt
- 1,912,950 A 6/1933 Moungelis
- D93,637 S 10/1934 Schirmacher
- D99,440 S 4/1936 Levy
- 2,171,682 A 9/1939 Byrnes
- D126,709 S 4/1941 Warren
- 2,299,962 A 10/1942 Byrkit
- 2,583,563 A 1/1952 Habel
- 3,352,429 A 11/1967 Magnuson
- D296,759 S 7/1988 Greenhut et al.
- D307,539 S 5/1990 Goodman et al.
- D322,361 S 12/1991 Goodman et al.
- D343,066 S 1/1994 Hsu

(Continued)

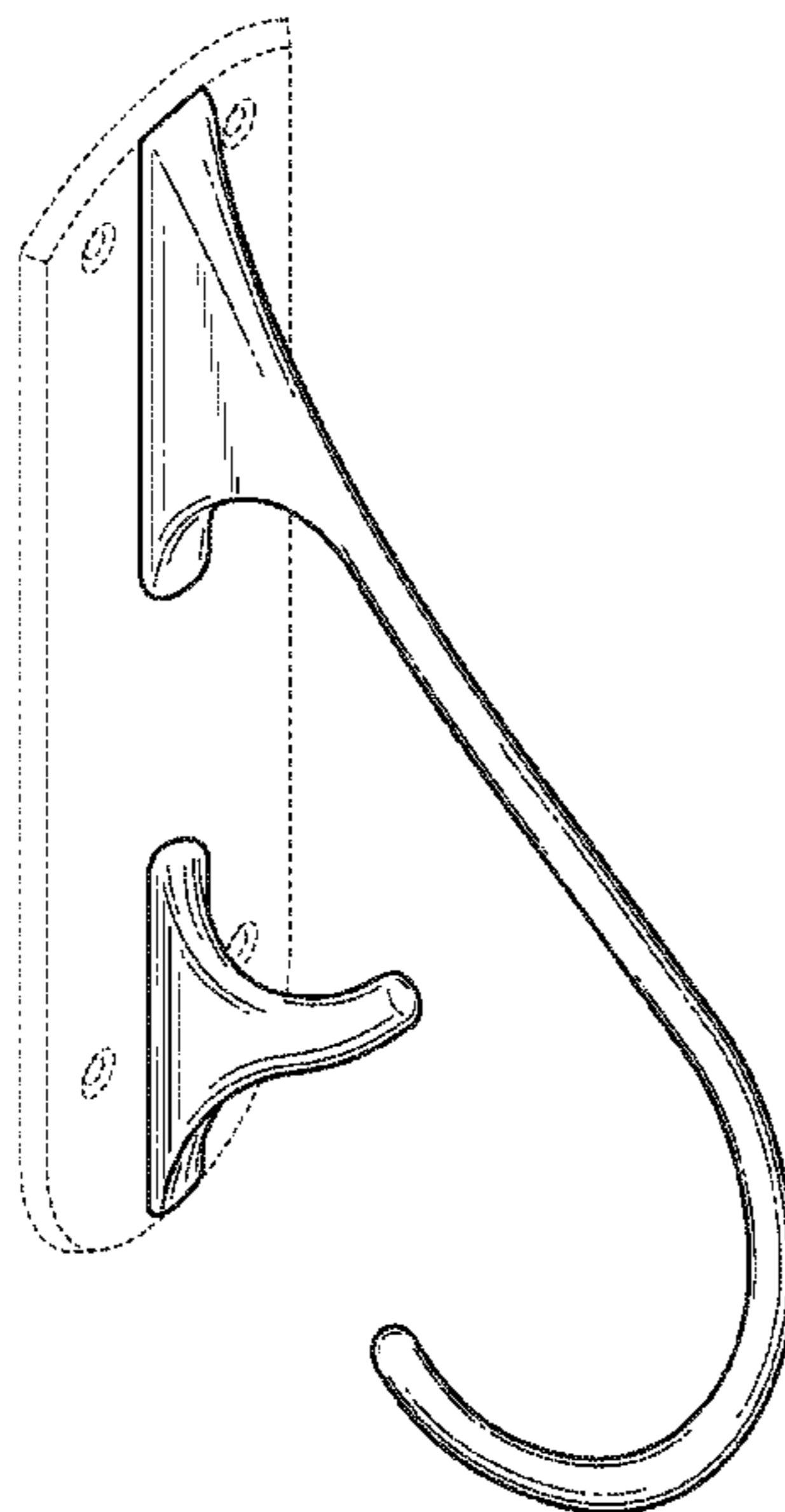
Primary Examiner — Holly Baynham
(74) *Attorney, Agent, or Firm* — Moore & Hansen, PLLP

(57) **CLAIM**
I claim the ornamental design for a set of hooks, as shown and described.

DESCRIPTION

FIG. 1 is a perspective view of a set of hooks of the present invention with the broken lines showing a mounting apparatus being for the purpose of illustrating environment and forms no part of the claimed design.
FIG. 2 is a right side view of the set of hooks of FIG. 1, the left side view being a mirror image of the right side view shown;
FIG. 3 is a front view of the set of hooks of FIG. 1;
FIG. 4 is a rear view of the set of hooks of FIG. 1;
FIG. 5 is a top view of the set of hooks of FIG. 1; and,
FIG. 6 is a bottom view of the set of hooks of FIG. 1.

1 Claim, 4 Drawing Sheets



US D644,502 S

Page 2

U.S. PATENT DOCUMENTS

D557,576 S	12/2007	Crombie	D574,224 S	8/2008	Zhang
D564,243 S	3/2008	Zhang	D581,257 S	11/2008	Portz
D564,865 S	3/2008	Johnson	D581,258 S	11/2008	Portz
D565,939 S	4/2008	Newbould et al.	D581,259 S	11/2008	Portz
D567,517 S	4/2008	Massaud	D597,401 S	8/2009	Portz
D568,621 S	5/2008	Krumpe et al.	D597,826 S	8/2009	Portz
D573,357 S	7/2008	Bickler et al.	D599,645 S	9/2009	Portz
D573,449 S	7/2008	Goodman et al.	2010/0006728 A1	1/2010	Portz

* cited by examiner

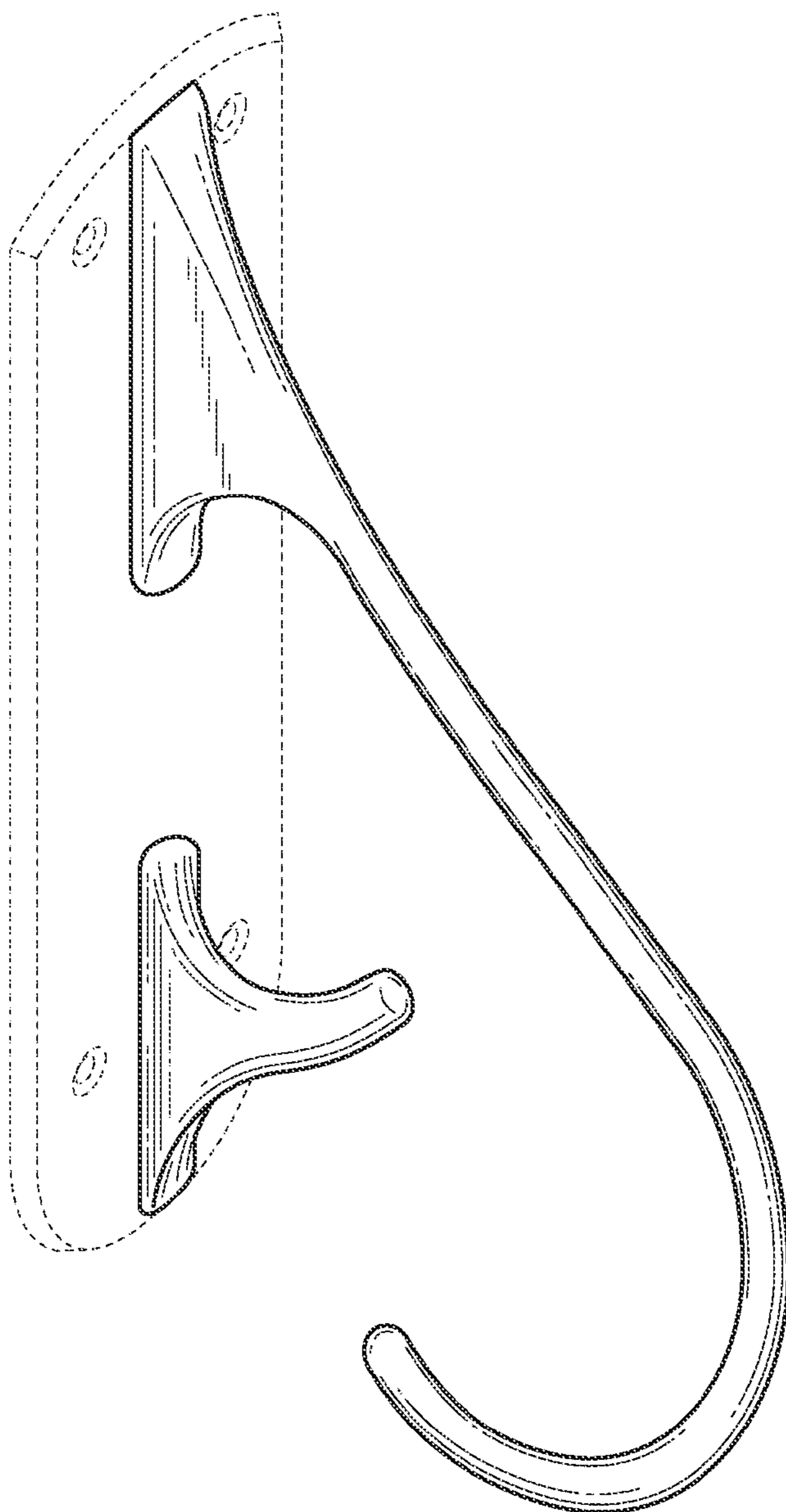


Fig. 1

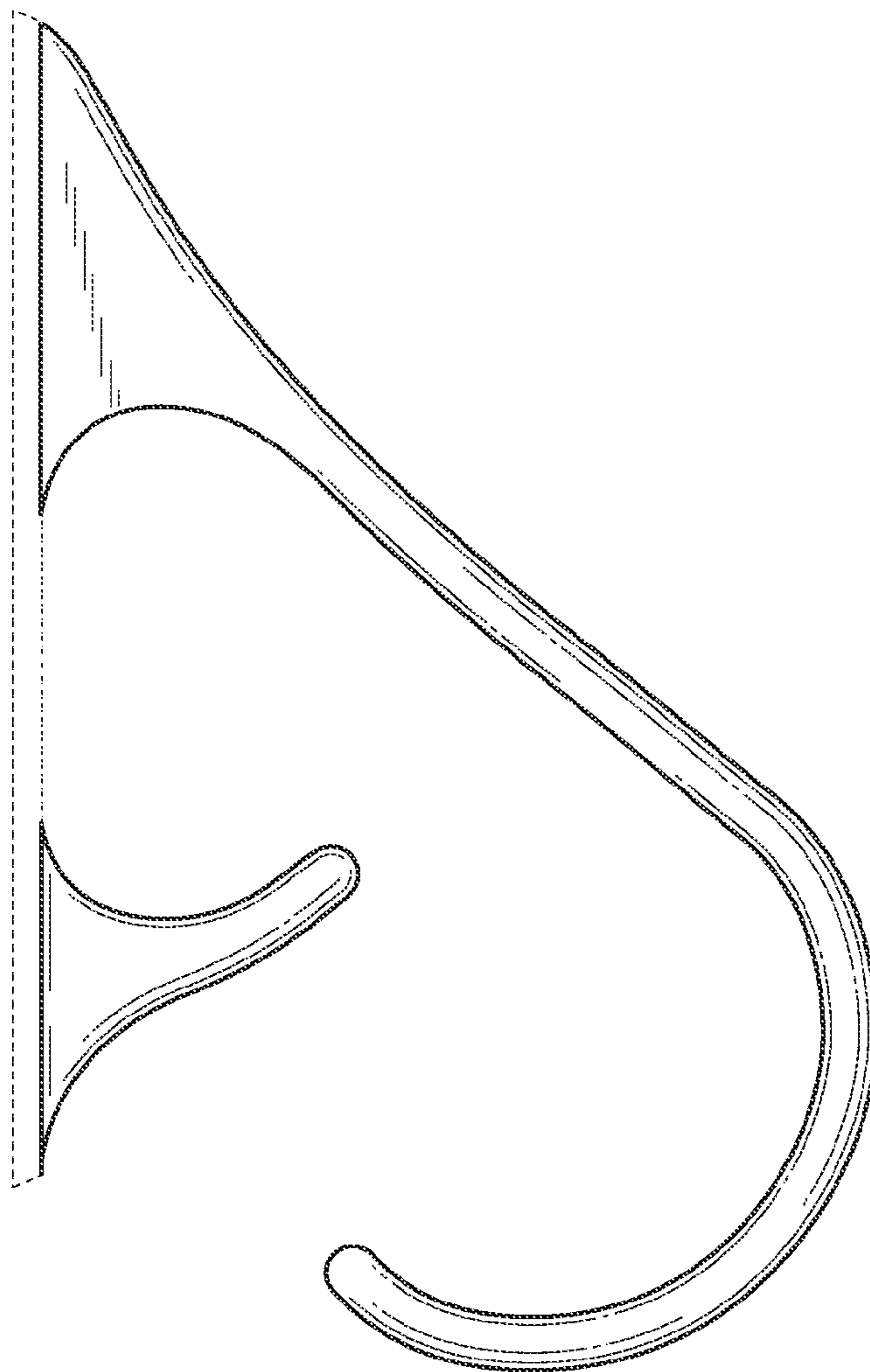


Fig. 2

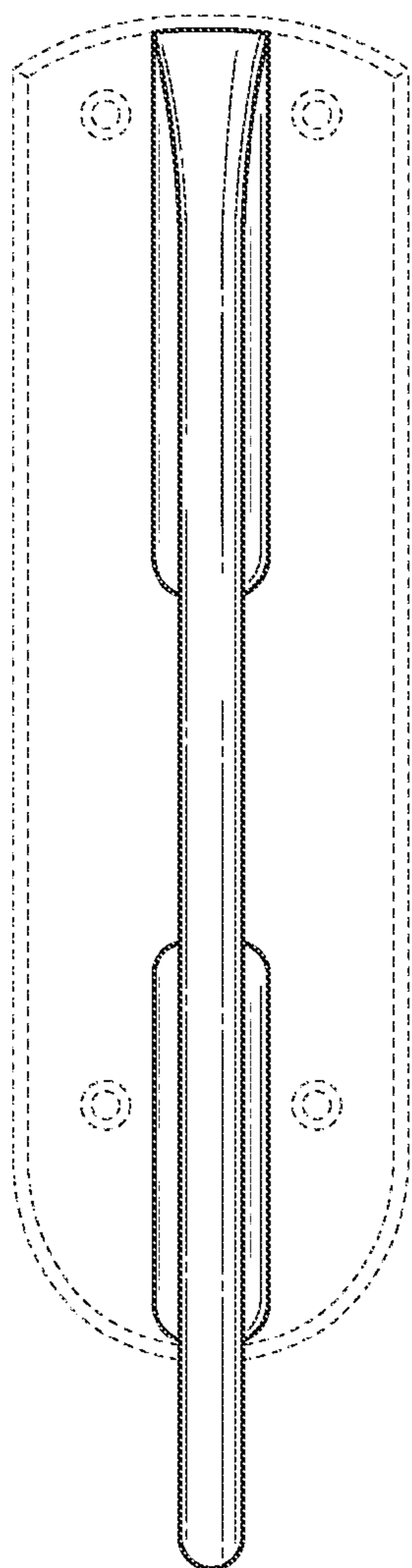


Fig. 3

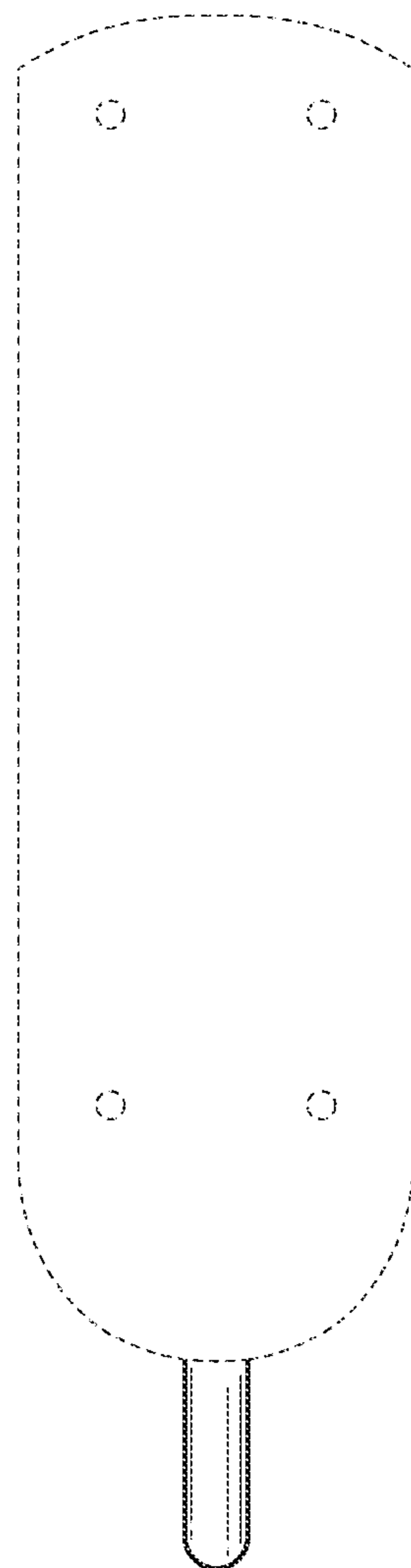


Fig. 4

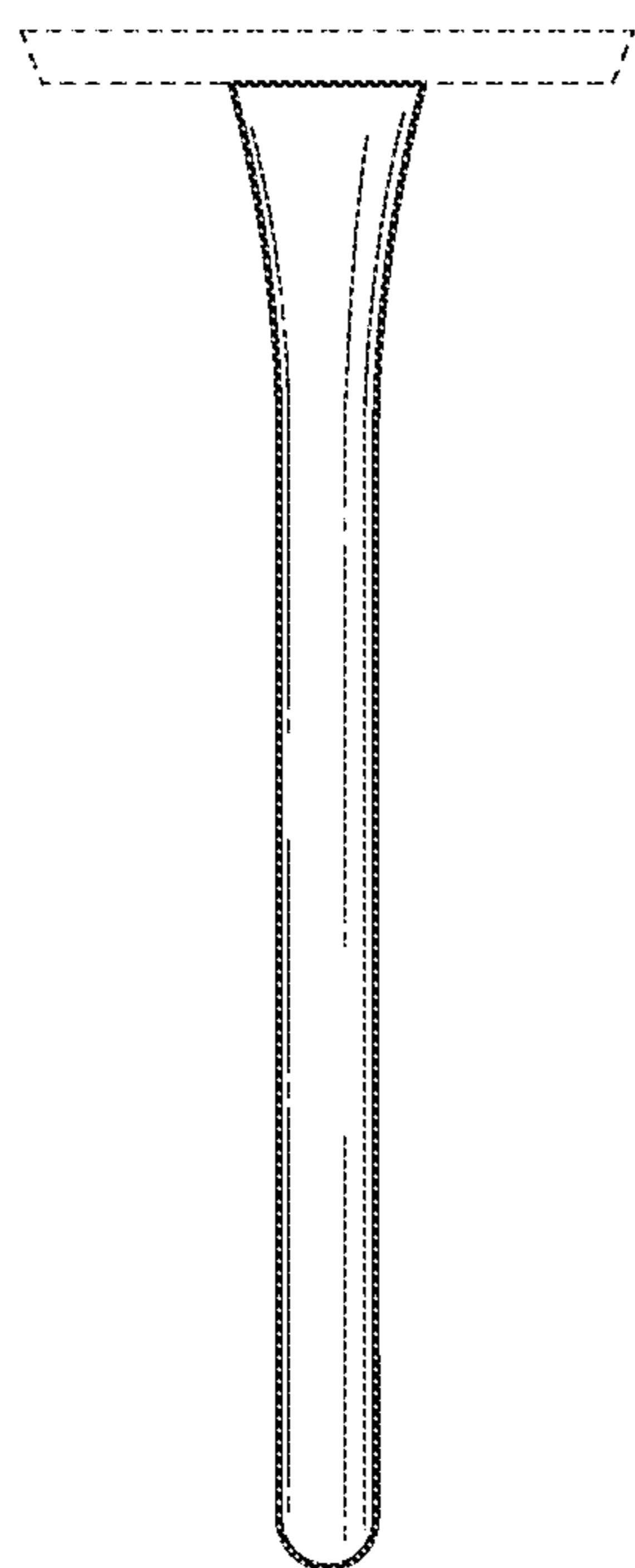


Fig. 5

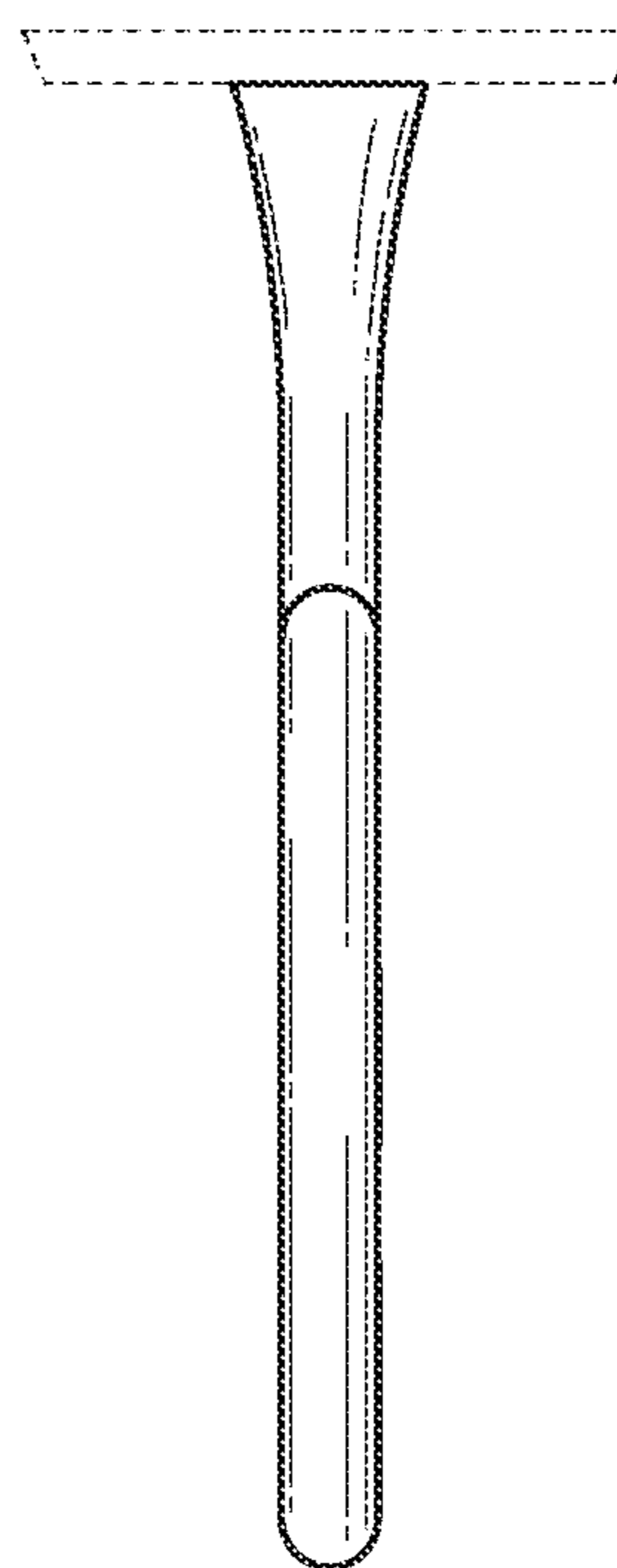


Fig. 6