



US00D644501S

(12) **United States Design Patent**  
**Chen**

(10) **Patent No.:** **US D644,501 S**

(45) **Date of Patent:** **\*\* Sep. 6, 2011**

(54) **CABLE ORGANIZER**

(76) Inventor: **Kevin F. Chen**, Anaheim, CA (US)

(\*\*) Term: **14 Years**

(21) Appl. No.: **29/383,497**

(22) Filed: **Jan. 18, 2011**

(51) **LOC (9) Cl.** ..... **08-05**

(52) **U.S. Cl.** ..... **D8/356**

(58) **Field of Classification Search** ..... D8/356,  
D8/388, 323, 324, 330, 325, 327, 331, 36,  
D8/353, 338; D6/466; D16/334; D10/69;  
D23/302, 303; 4/236, 240; 49/381; 248/682,  
248/49, 68.1, 544, 73, 74.3; 33/347, 365-399;  
174/153 G, 135, 72 A, 152 G; 5/503.1; 138/106;  
24/16 PB, 545

See application file for complete search history.

(56) **References Cited**

U.S. PATENT DOCUMENTS

4,579,310	A *	4/1986	Wells et al.	248/544
4,719,321	A *	1/1988	Kozel et al.	174/135
4,775,121	A *	10/1988	Carty	248/68.1
5,316,246	A *	5/1994	Scott et al.	248/68.1
D354,904	S *	1/1995	Halsten	D8/356
D453,103	S *	1/2002	Tell	D8/356
6,360,051	B1 *	3/2002	Daoud	385/137

D488,054	S *	4/2004	Myers	D8/356
D568,723	S *	5/2008	Morgan	D8/356
D587,102	S *	2/2009	Morgan	D8/356
D612,225	S *	3/2010	Forte	D8/356
D638,690	S *	5/2011	Hoek	D8/356
2009/0218451	A1 *	9/2009	Lundborg	248/56

\* cited by examiner

*Primary Examiner* — Cynthia Underwood

(74) *Attorney, Agent, or Firm* — QuickPatents, Inc.; Kevin Prince

(57) **CLAIM**

The ornamental design for a cable organizer, as shown and described.

**DESCRIPTION**

FIG. 1 is a perspective view of a cable organizer, showing the new design;

FIG. 2 is a front elevational view thereof, the rear elevational view being a mirror image thereof;

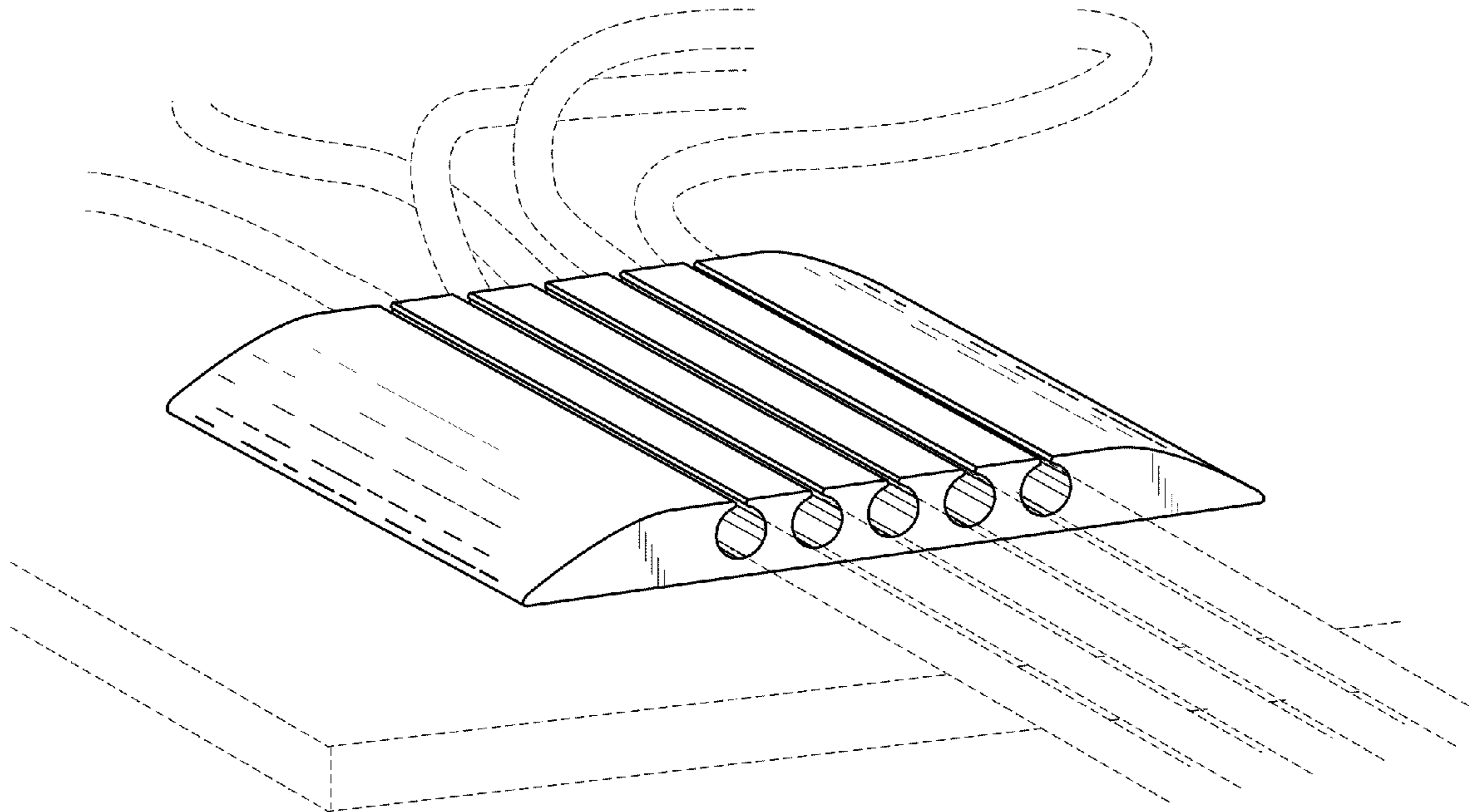
FIG. 3 is a left-side elevational view thereof, the right-side elevational view being a mirror image thereof;

FIG. 4 is a top plan view thereof; and,

FIG. 5 is a bottom plan view thereof.

The broken lines showing a desk and cables in FIG. 1 depict environmental matter while the design is in-use, and form no part of the claimed design.

**1 Claim, 2 Drawing Sheets**



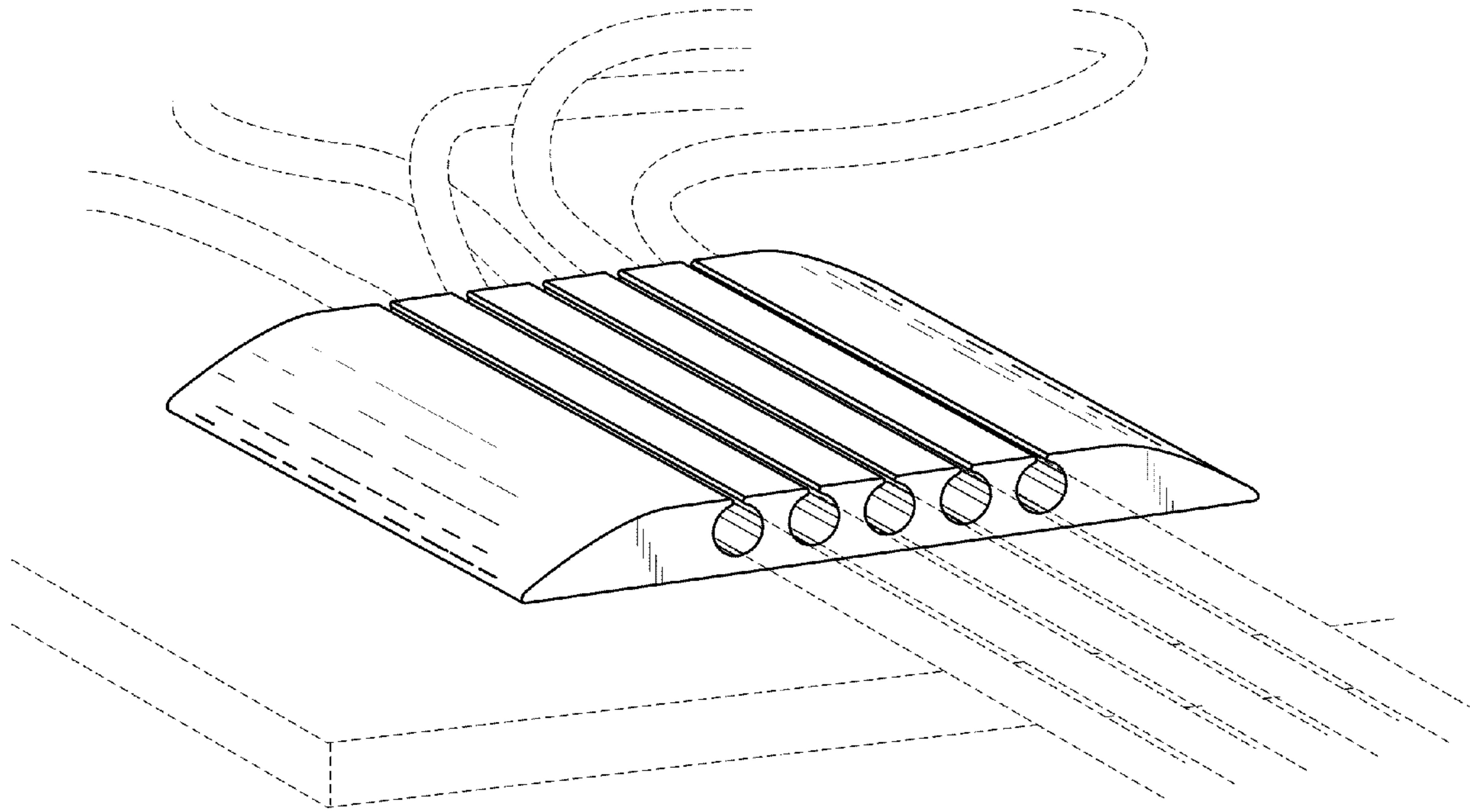


FIG. 1

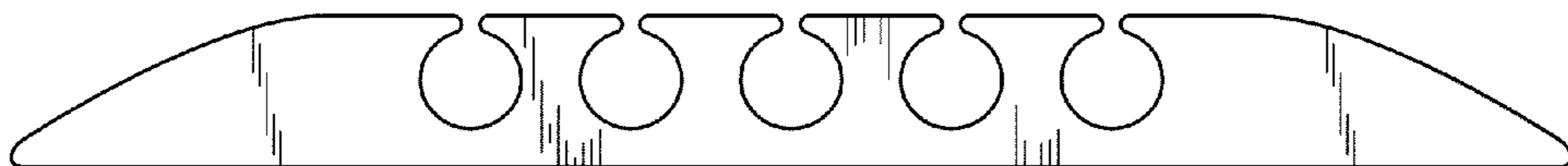


FIG. 2

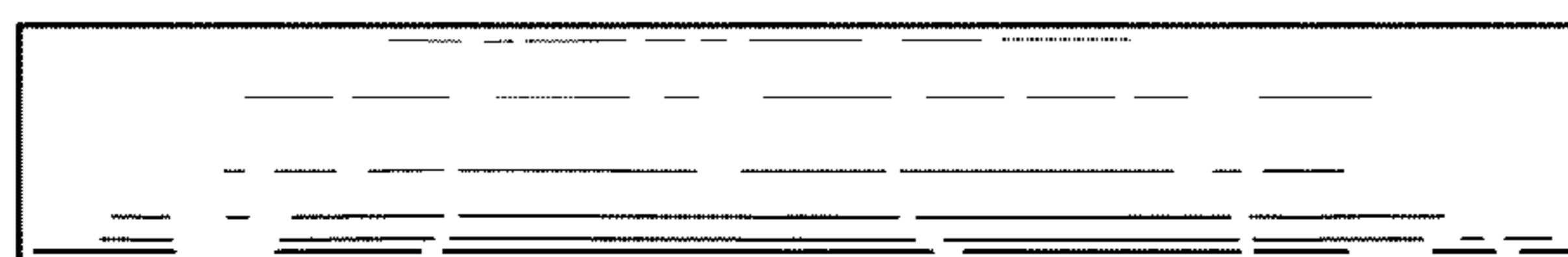


FIG. 3

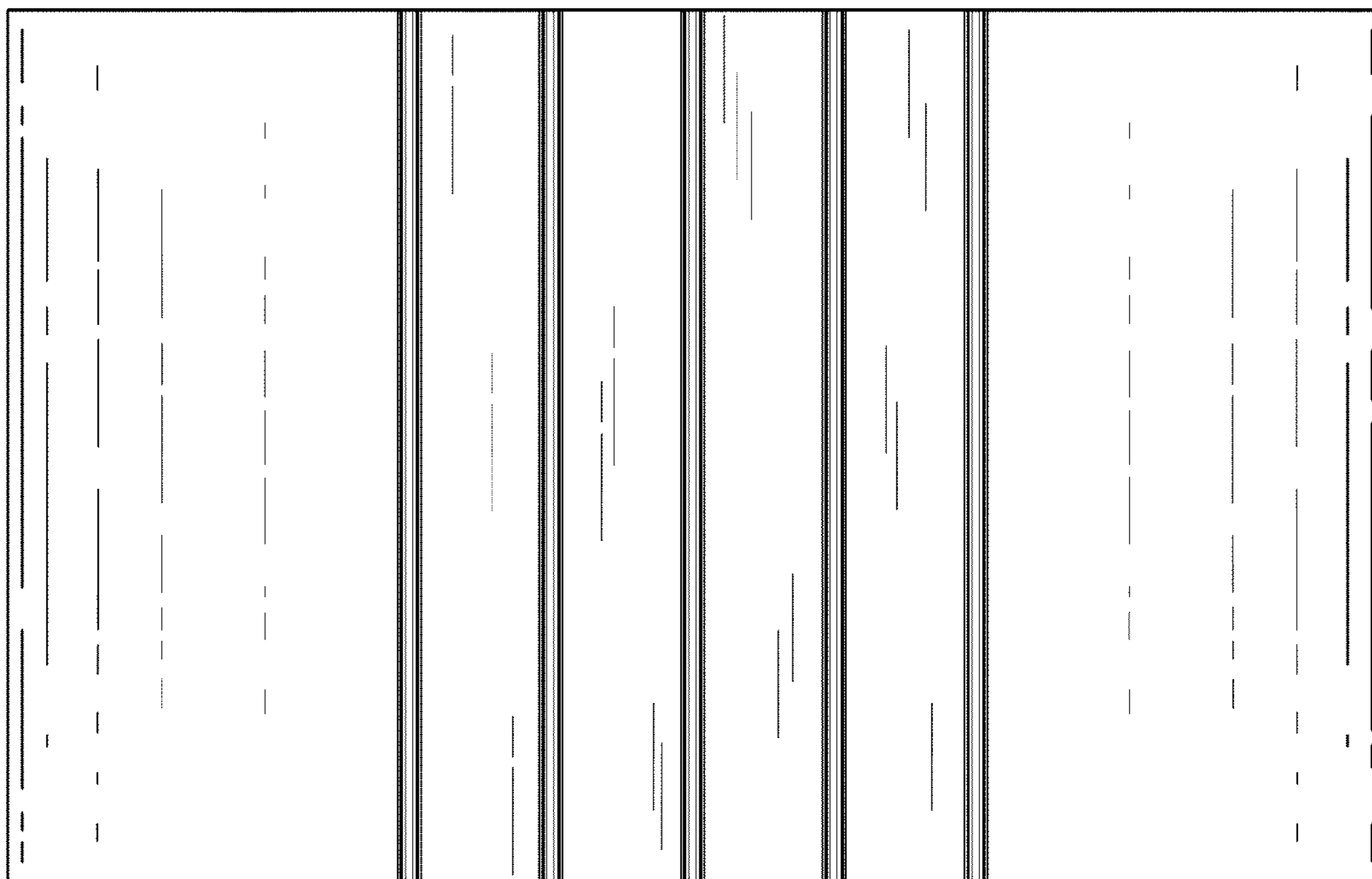


FIG. 4

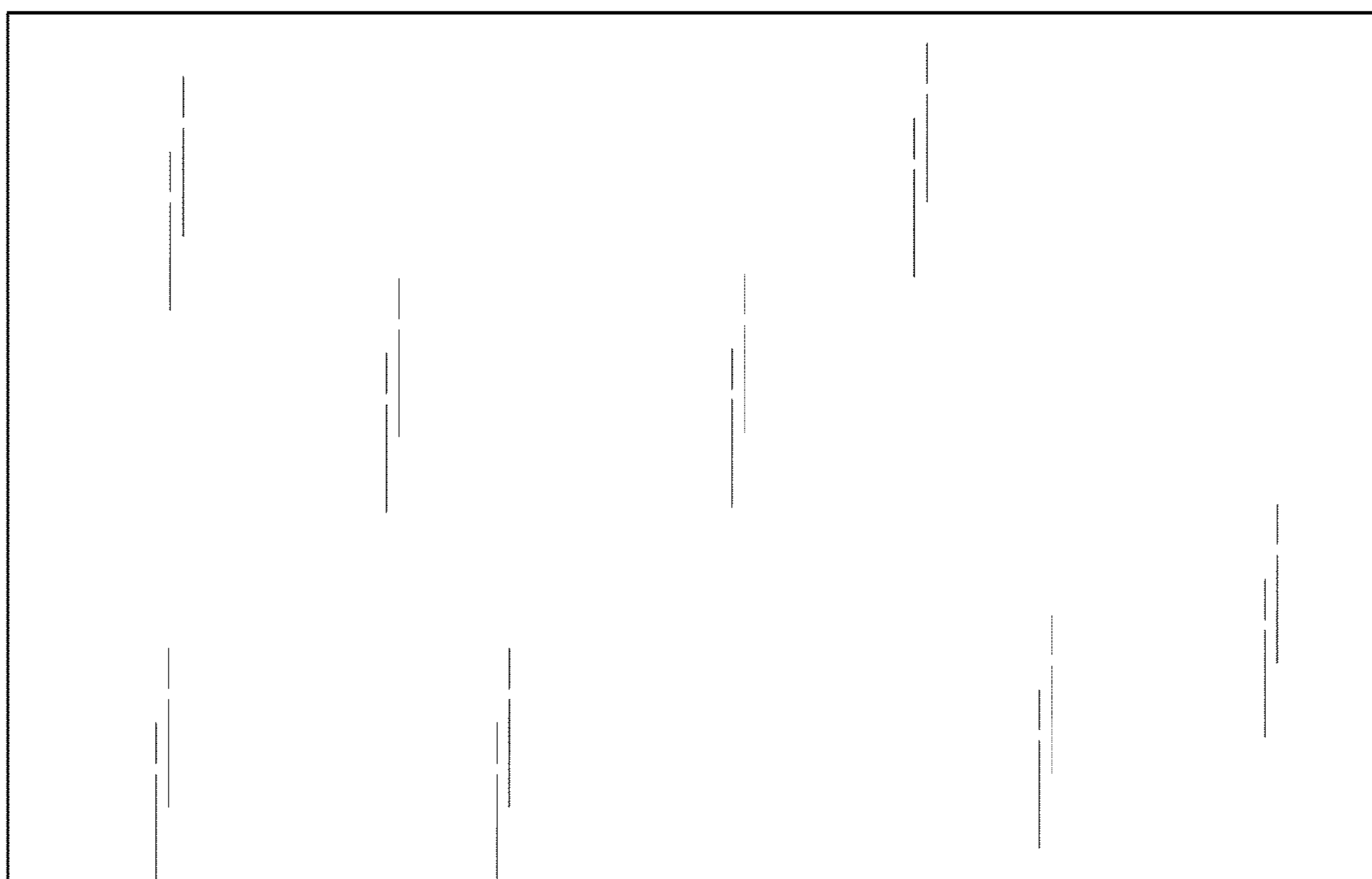


FIG. 5