



US00D644499S

(12) **United States Design Patent**
Herglotz et al.

(10) **Patent No.:** **US D644,499 S**

(45) **Date of Patent:** **** Sep. 6, 2011**

(54) **HINGE**

(75) Inventors: **Tibor Herglotz**, Kreuzau (DE); **Ingo Steinfeld**, Langenfeld (DE)

(73) Assignee: **Dr. Hahn GmbH & Co. KG**, Moenchengladbach (DE)

(**) Term: **14 Years**

(21) Appl. No.: **29/382,903**

(22) Filed: **Jan. 10, 2011**

(30) **Foreign Application Priority Data**

Jul. 12, 2010 (EP) 001730342

(51) **LOC (9) Cl.** **08-06**

(52) **U.S. Cl.** **D8/327**

(58) **Field of Classification Search** D8/323, D8/324, 330, 325, 327, 331, 336, 353, 338, D8/356; D16/334; D10/69; D23/302, 303; D3/905; 4/236, 240; 49/381; 248/682, 49, 248/68.1, 544, 73, 74.3; 33/347, 365-399; 174/153 G, 135, 72 A, 152 G; 5/503.1; 138/106; 24/16 PB, 545; 16/221, 226, 225, 230, 231, 16/234, 235, 251

See application file for complete search history.

(56) **References Cited**

U.S. PATENT DOCUMENTS

1,620,701 A * 3/1927 Teich 16/339
3,000,049 A * 9/1961 Terry, Jr. 16/334
3,965,533 A * 6/1976 Fröhlich 16/300
5,713,105 A * 2/1998 Toomey 16/245

5,755,011 A 5/1998 Green et al.
5,799,370 A * 9/1998 Davidian et al. 16/236
6,212,734 B1 * 4/2001 Commons 16/244
6,715,181 B1 4/2004 Fries
7,000,290 B1 * 2/2006 Ace 16/386
D532,280 S * 11/2006 Huml D8/327
7,162,774 B1 * 1/2007 Von Resch et al. 16/236
7,500,286 B2 * 3/2009 Soviknes 16/243
7,676,887 B2 * 3/2010 Chung 16/236
D636,251 S * 4/2011 Herglotz et al. D8/328
2004/0128794 A1 * 7/2004 Chung 16/236

FOREIGN PATENT DOCUMENTS

DE 21 21 629 A 6/1972
EP 0 420 685 A1 4/1991
EP 0 612 905 A2 8/1994
WO WO 99/61738 A2 12/1999

* cited by examiner

Primary Examiner — Cynthia Underwood

(74) *Attorney, Agent, or Firm* — Norman B. Thot

(57) **CLAIM**

The ornamental design for a hinge, as shown and described.

DESCRIPTION

FIG. 1 is a front, open, perspective view of the hinge showing our new design;

FIG. 2 is a front, open view thereof;

FIG. 3 is a left, open view thereof;

FIG. 4 is a right, open view thereof;

FIG. 5 is a back, open view thereof;

FIG. 6 is a bottom, open view thereof;

FIG. 7 is a top, open view thereof; and,

FIG. 8 is a front, closed, top, perspective view thereof.

1 Claim, 6 Drawing Sheets

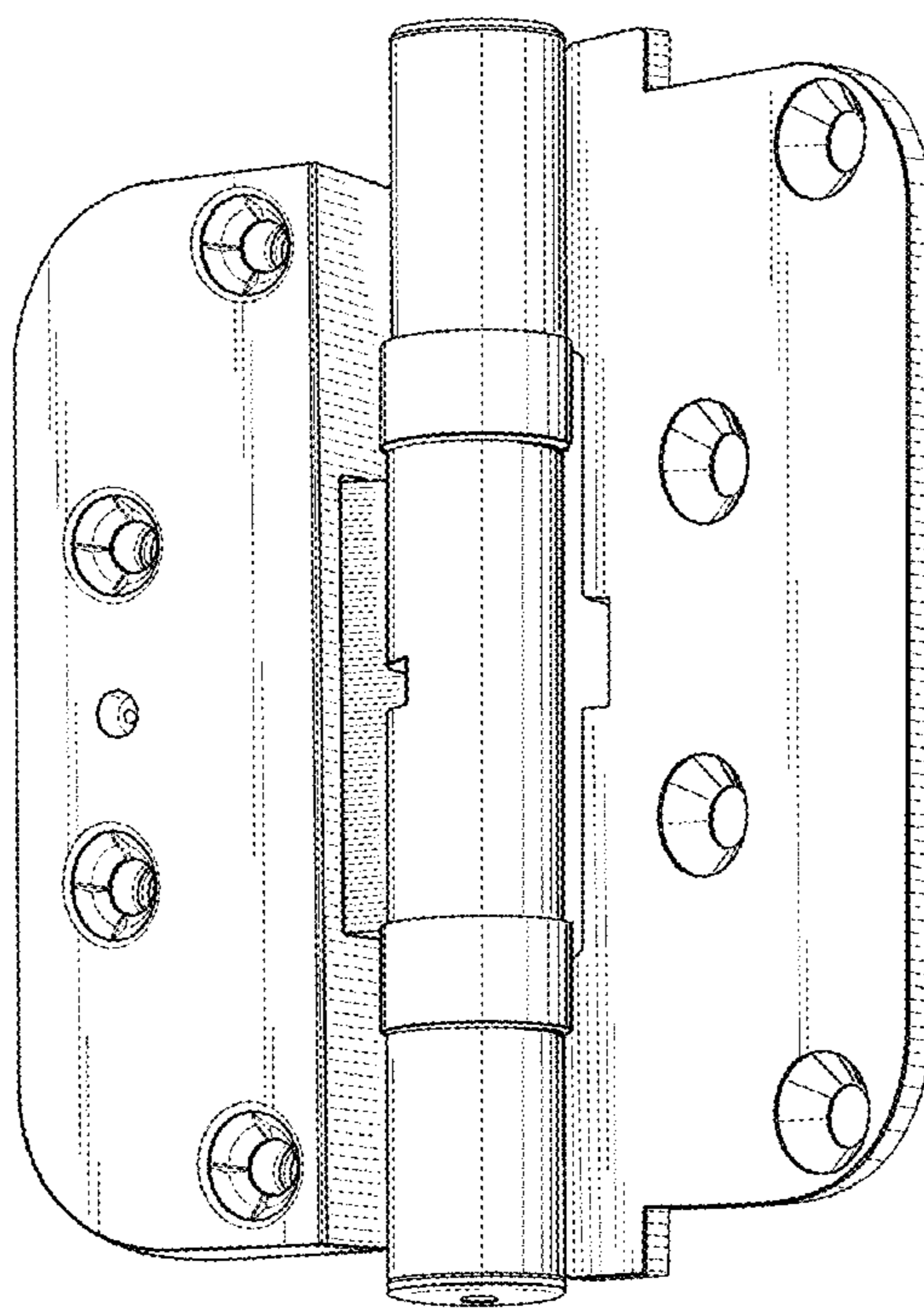


Fig. 1

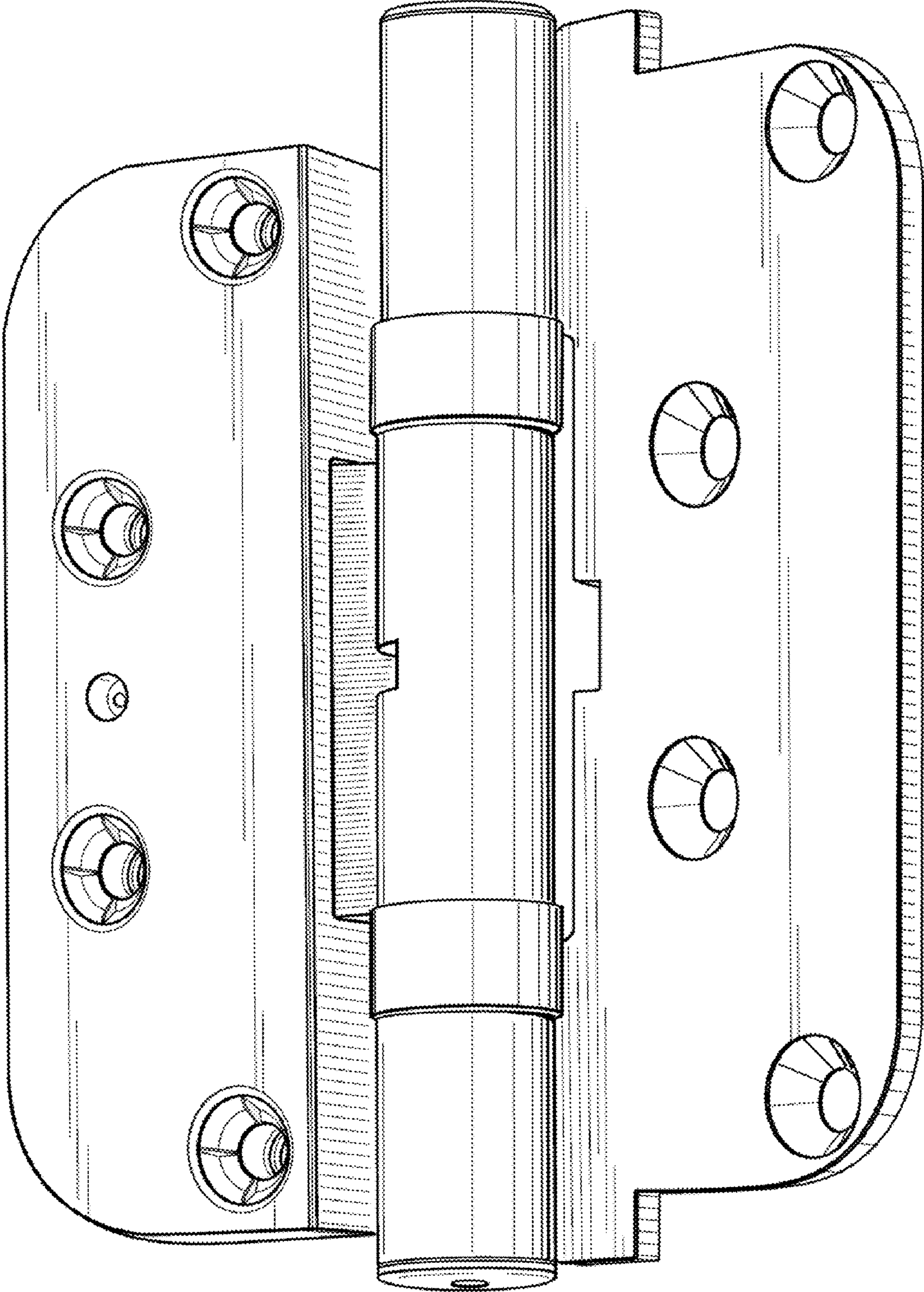


Fig. 2

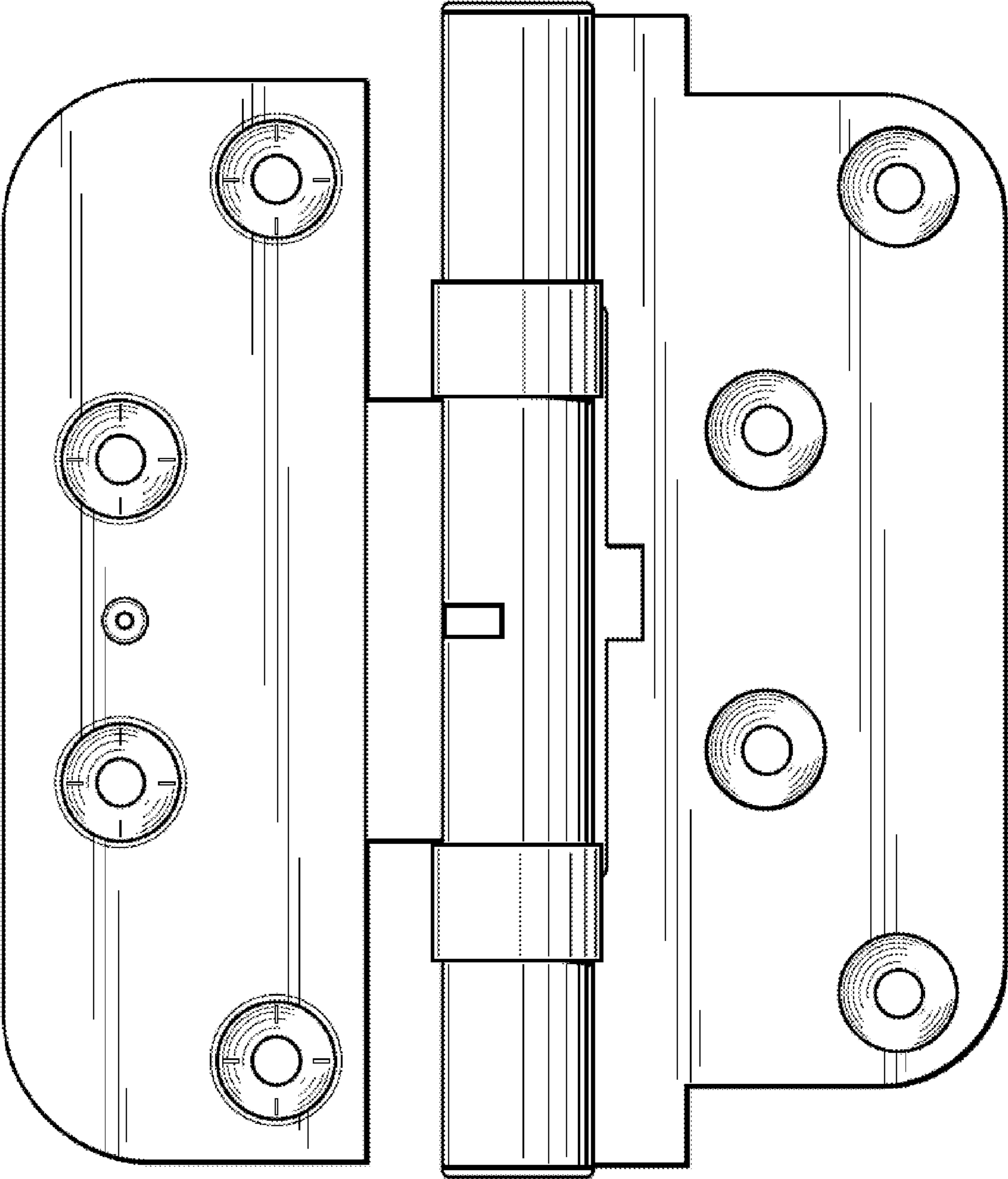


Fig. 3

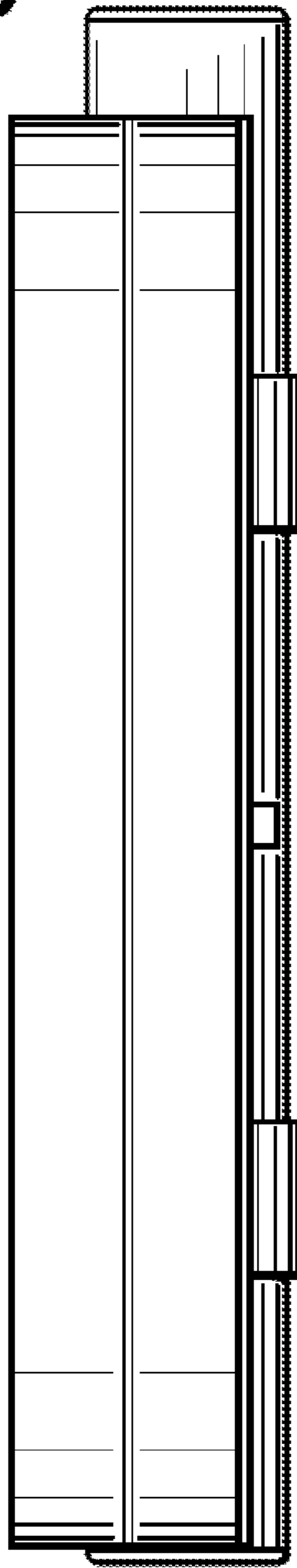


Fig. 4

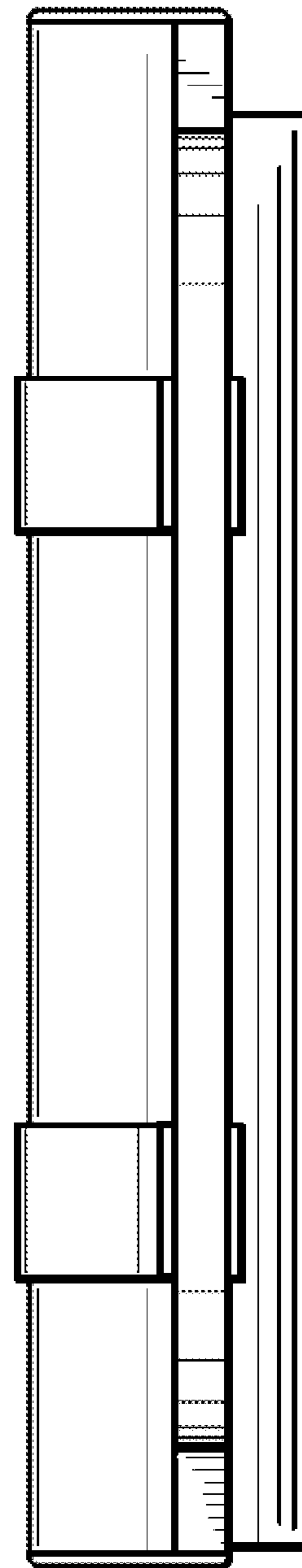


Fig. 5

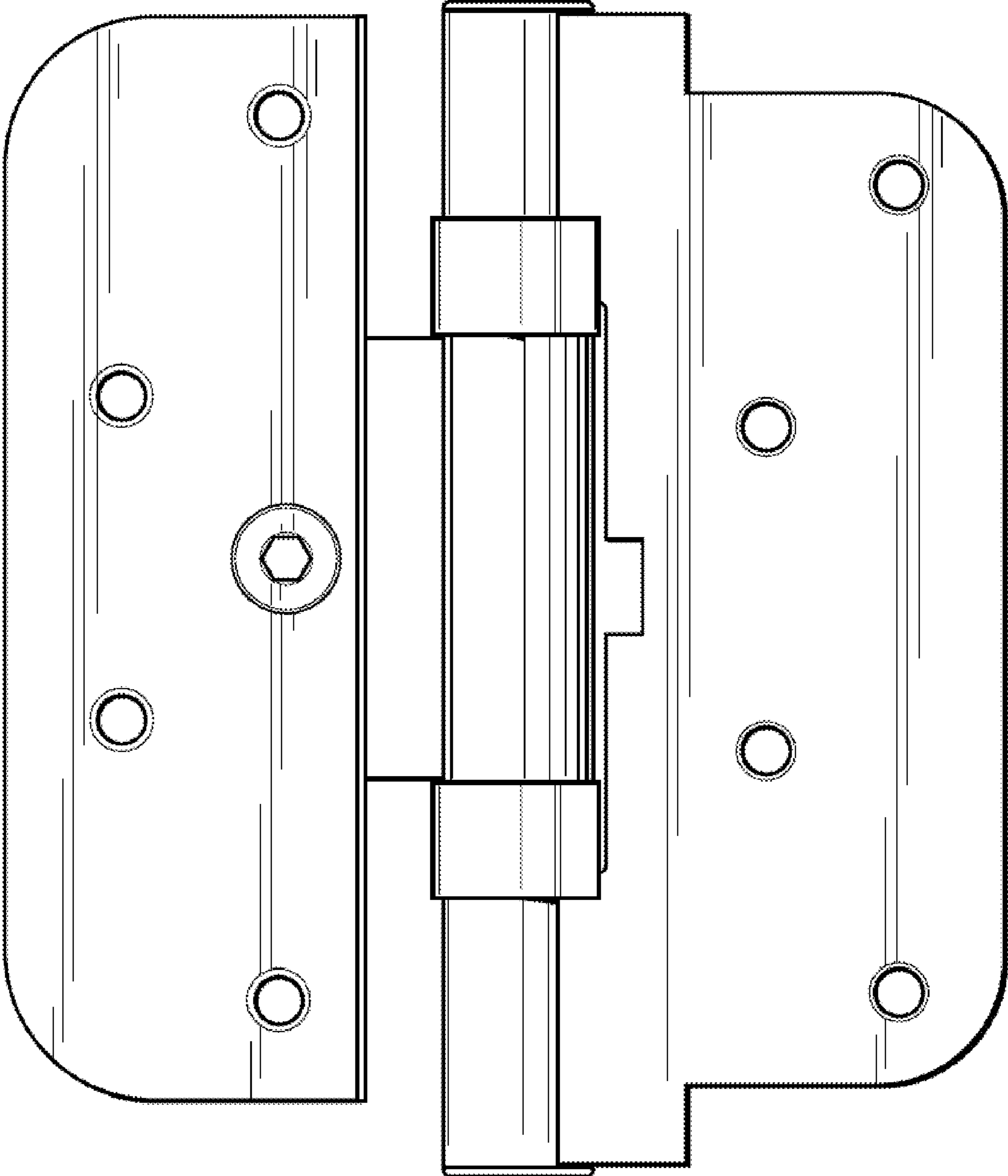


Fig. 6

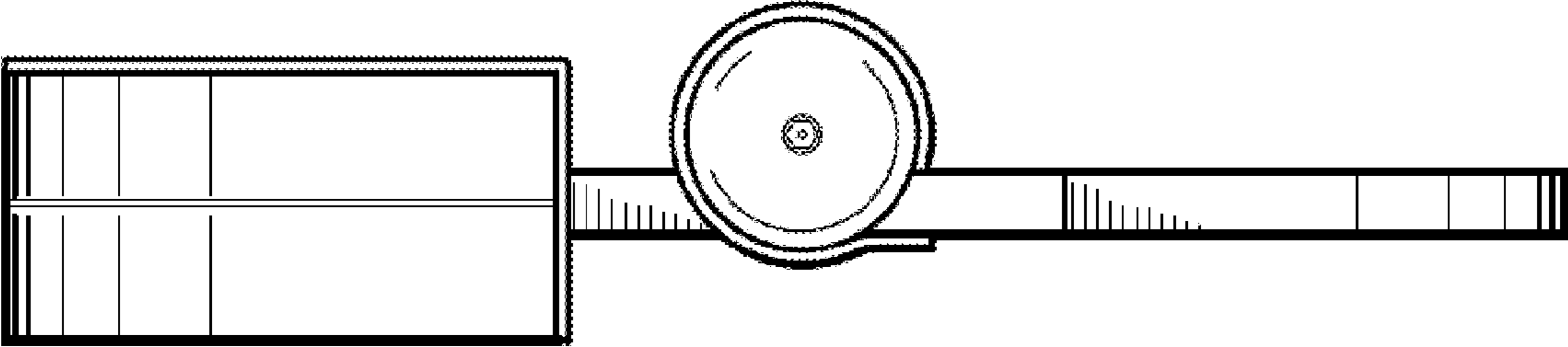


Fig. 7

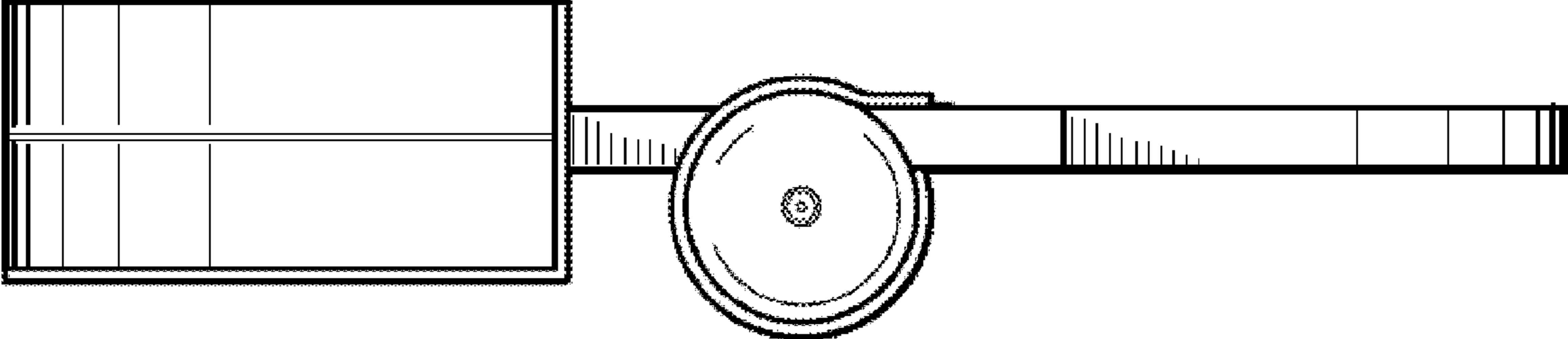


Fig. 8

