



US00D644498S

(12) **United States Design Patent**
Chen

(10) **Patent No.:** **US D644,498 S**

(45) **Date of Patent:** **** Sep. 6, 2011**

(54) **MAUL HEAD**

(76) Inventor: **Yung-Shou Chen**, Taichung Hsien (TW)

(**) Term: **14 Years**

(21) Appl. No.: **29/379,761**

(22) Filed: **Nov. 24, 2010**

(51) **LOC (9) Cl.** **08-02**

(52) **U.S. Cl.** **D8/78**

(58) **Field of Classification Search** D8/75-81,
D8/107; 7/145; 30/308.1; 144/195.5
See application file for complete search history.

(56) **References Cited**

U.S. PATENT DOCUMENTS

426,894	A *	4/1890	Williams	7/145
647,609	A *	4/1900	Powell	30/308.1
4,044,808	A *	8/1977	Kolonia	30/308.1
4,181,166	A *	1/1980	Jones	30/308.1
D257,826	S *	1/1981	Jones	D8/78
4,300,606	A *	11/1981	Branson	30/308.1
D266,141	S *	9/1982	Nannen	D8/76
4,357,974	A *	11/1982	Nannen	30/308.1
4,382,459	A *	5/1983	Bartok	30/308.1
D271,076	S *	10/1983	Hillinger	D8/76
4,412,572	A *	11/1983	Clark	30/308.1
4,440,205	A *	4/1984	Hillinger	30/308.1
4,465,113	A *	8/1984	Hillinger	144/195.7
4,926,558	A *	5/1990	Brace	30/308.1
5,394,917	A *	3/1995	Maine	144/195.5
5,482,097	A *	1/1996	Maine	144/195.5

D378,656	S *	4/1997	Maine	D8/78
6,640,447	B2 *	11/2003	Wickline	30/308.1
D631,722	S *	2/2011	Lamarre et al.	D8/78
2006/0254391	A1 *	11/2006	Norton	81/22
2008/0178475	A1 *	7/2008	Branovits	30/308.1

* cited by examiner

Primary Examiner — Philip S Hyder

Assistant Examiner — Roselynnne Cody

(74) *Attorney, Agent, or Firm* — Pai Patent & Trademark Law Firm; Chao-Chang David Pai

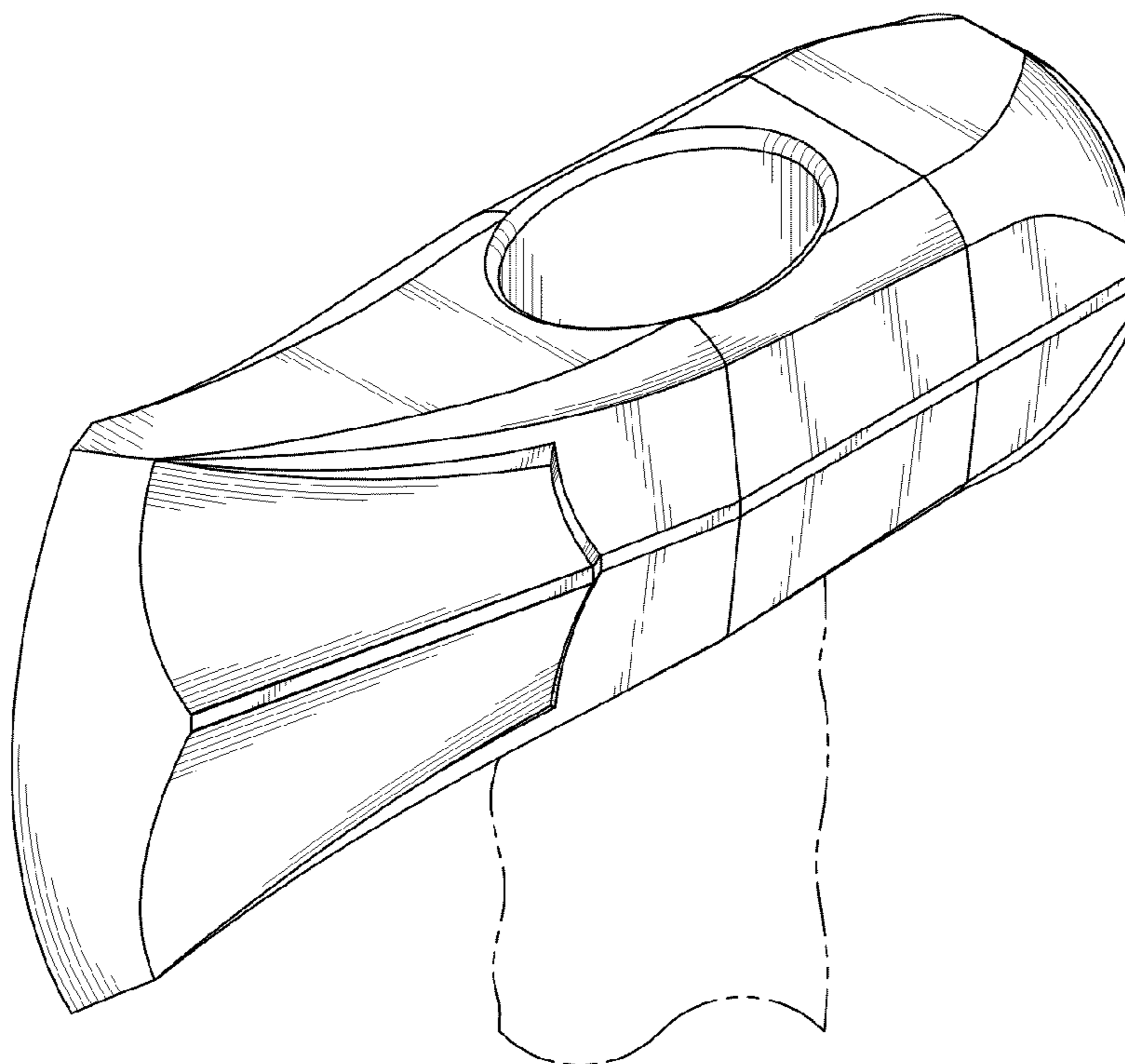
(57) **CLAIM**

The ornamental design for a maul head, as shown and described.

DESCRIPTION

FIG. 1 is a right side perspective view of a maul head, showing my new design;
FIG. 2 is a front elevational view thereof;
FIG. 3 is a rear elevational view thereof;
FIG. 4 is a left side elevational view thereof;
FIG. 5 is a right side elevational view thereof;
FIG. 6 is a top plan view thereof; and,
FIG. 7 is a bottom plan view thereof.
The handle in FIG. 1 is shown in broken lines for illustrative purposes only and forms no part of the claimed design.

1 Claim, 5 Drawing Sheets



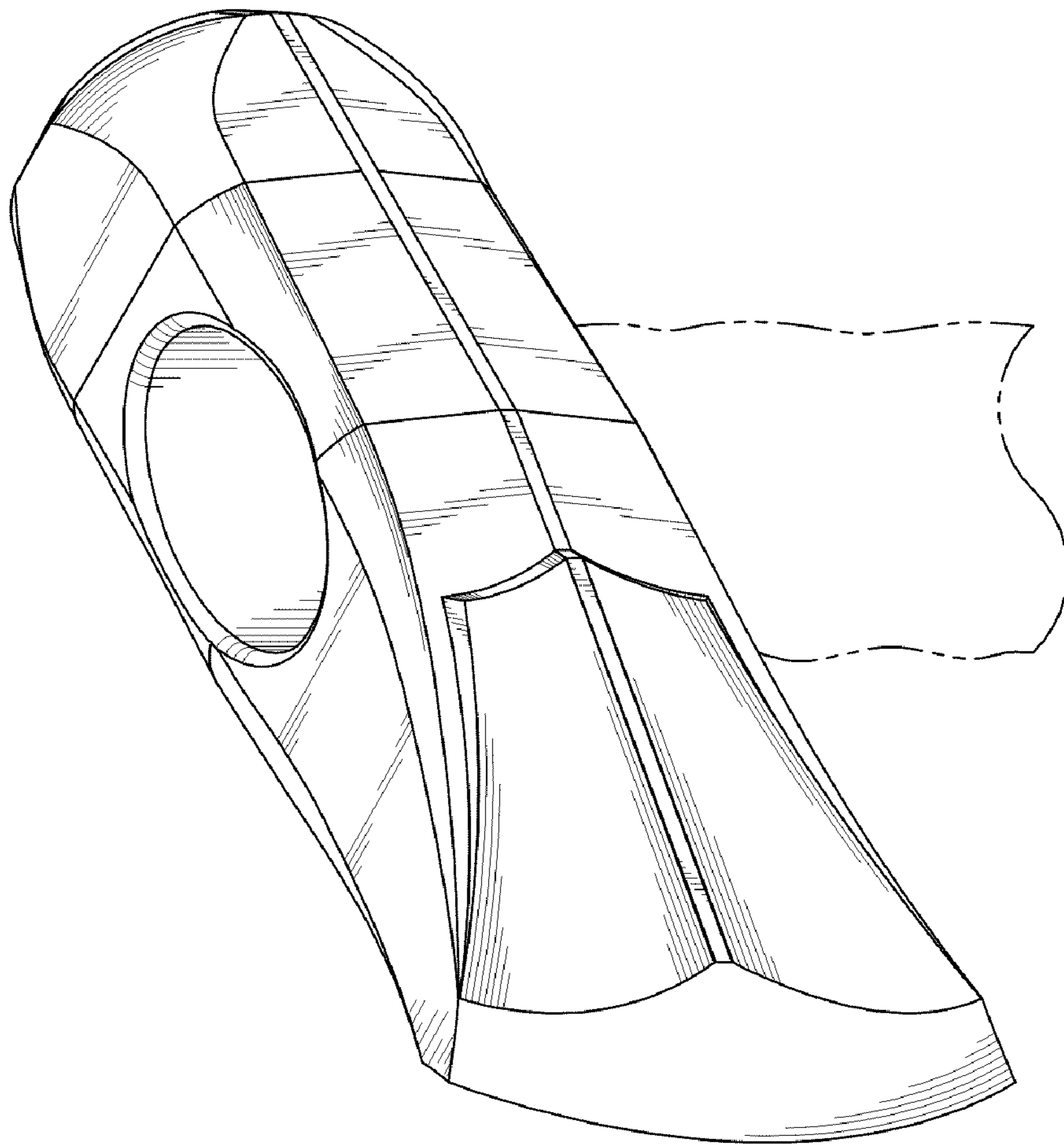


FIG. 1

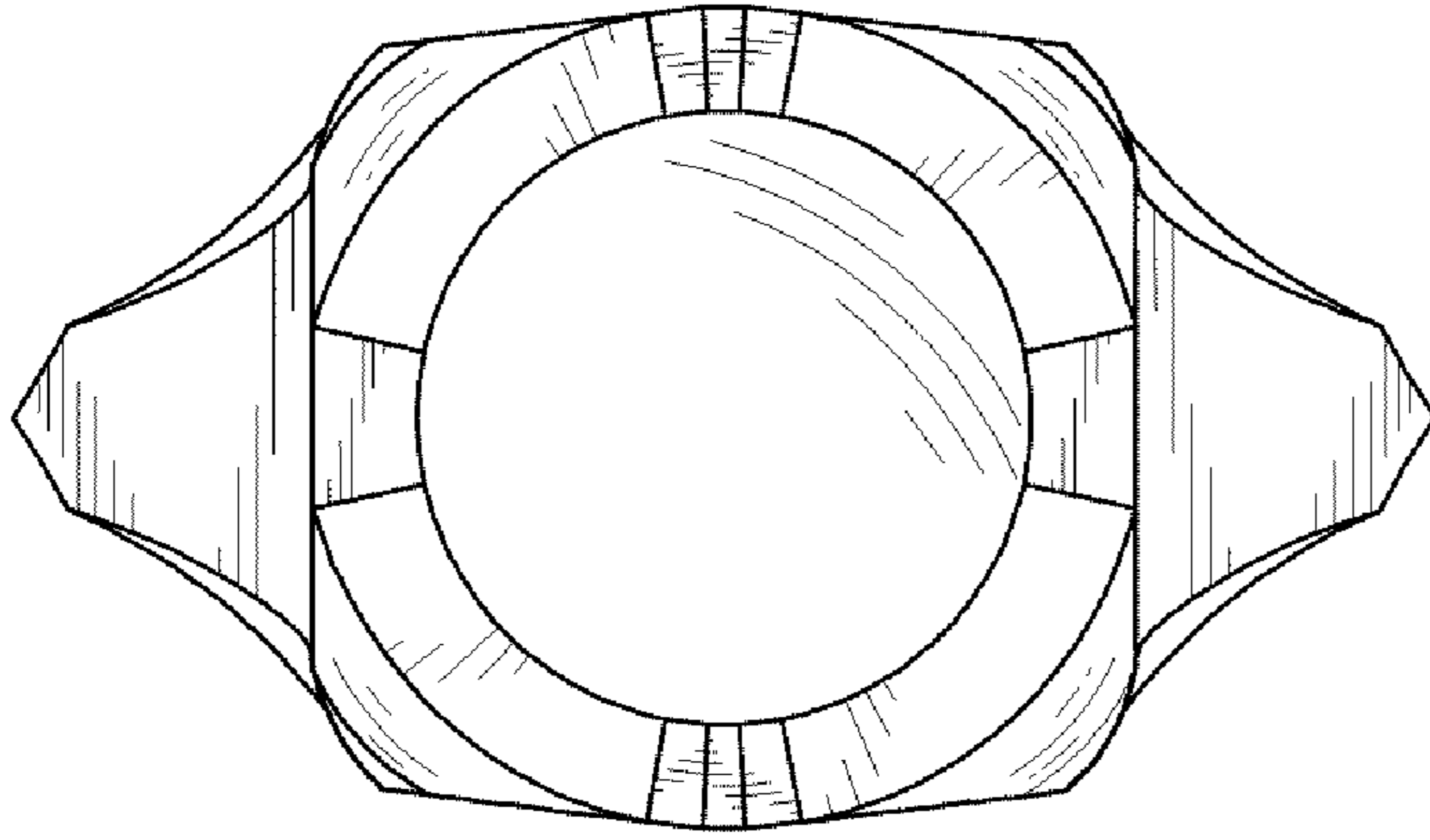


FIG. 3

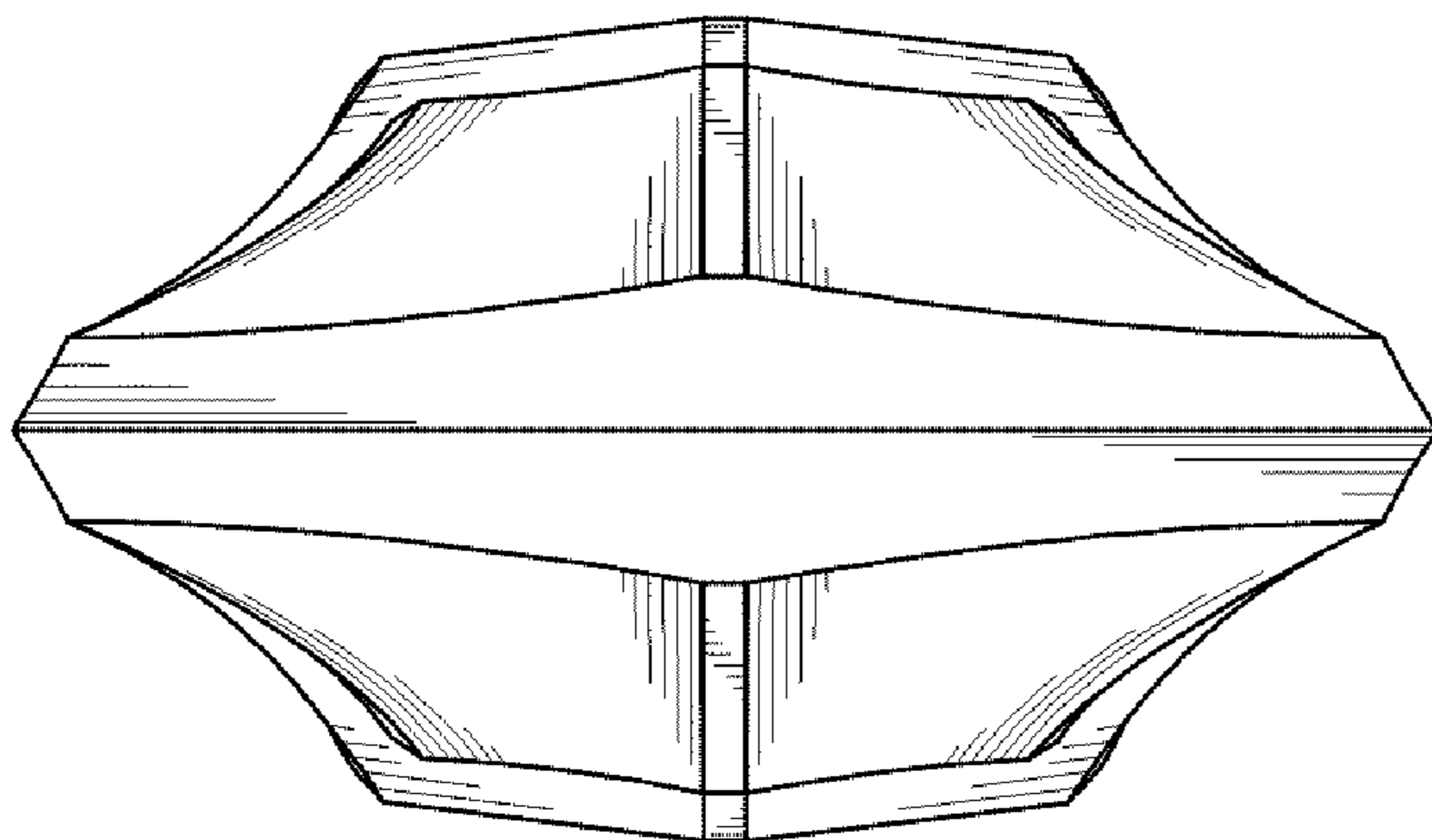


FIG. 2

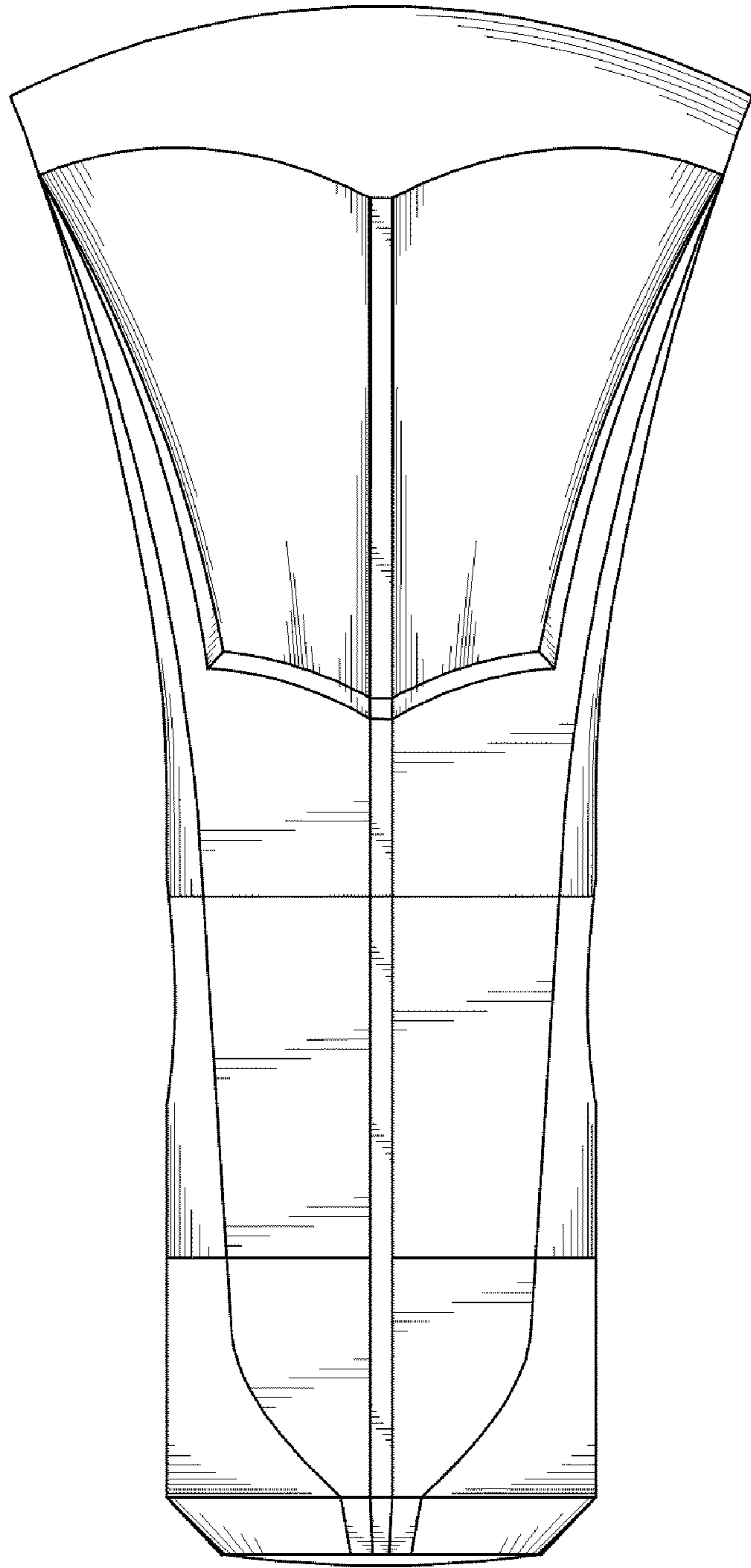


FIG. 4

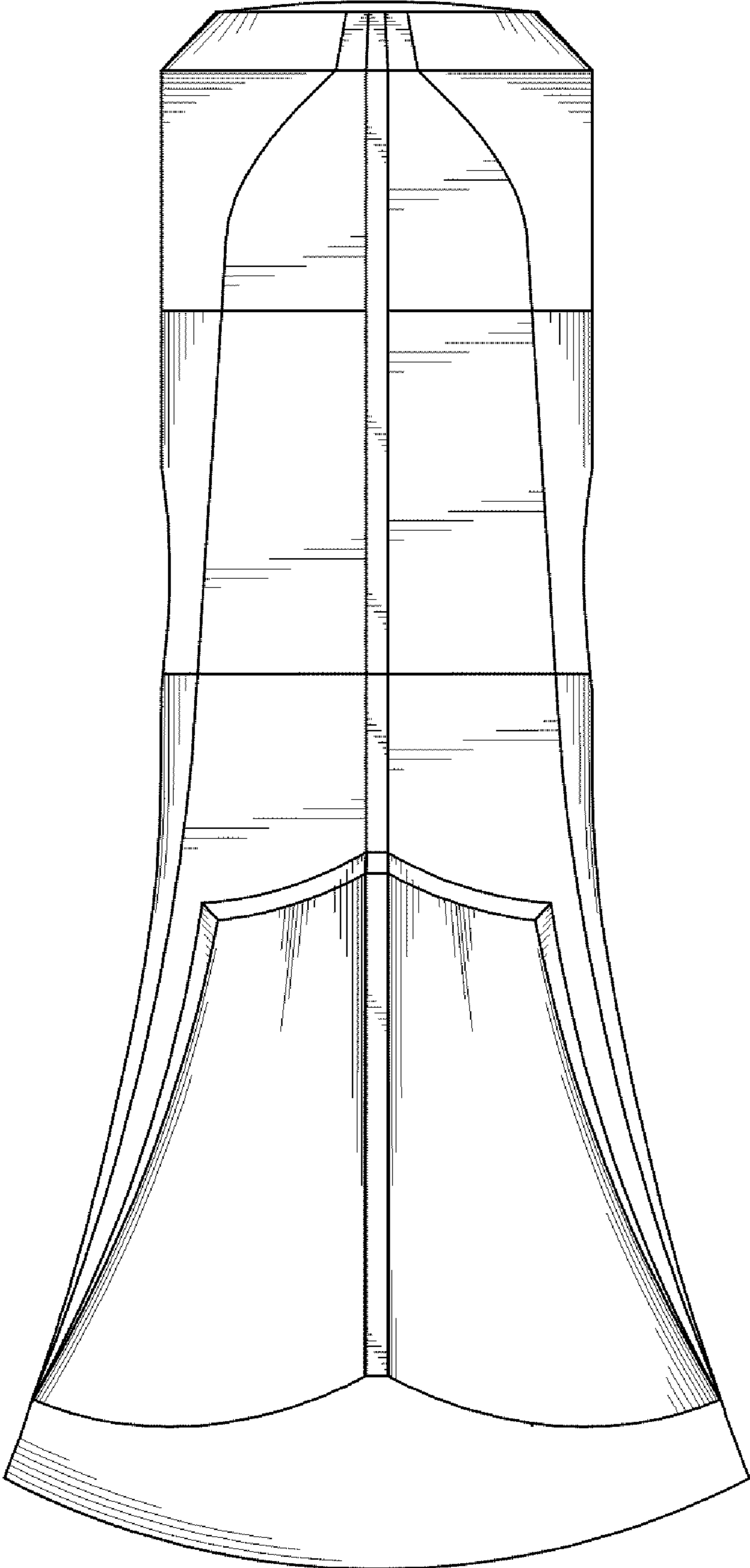


FIG. 5

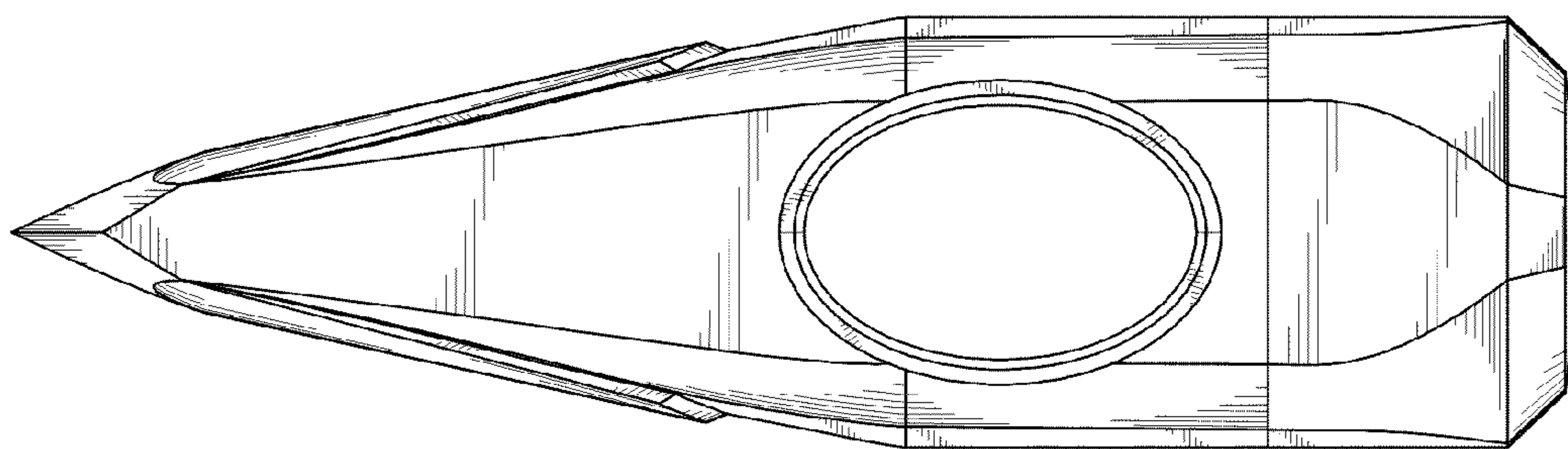


FIG. 7

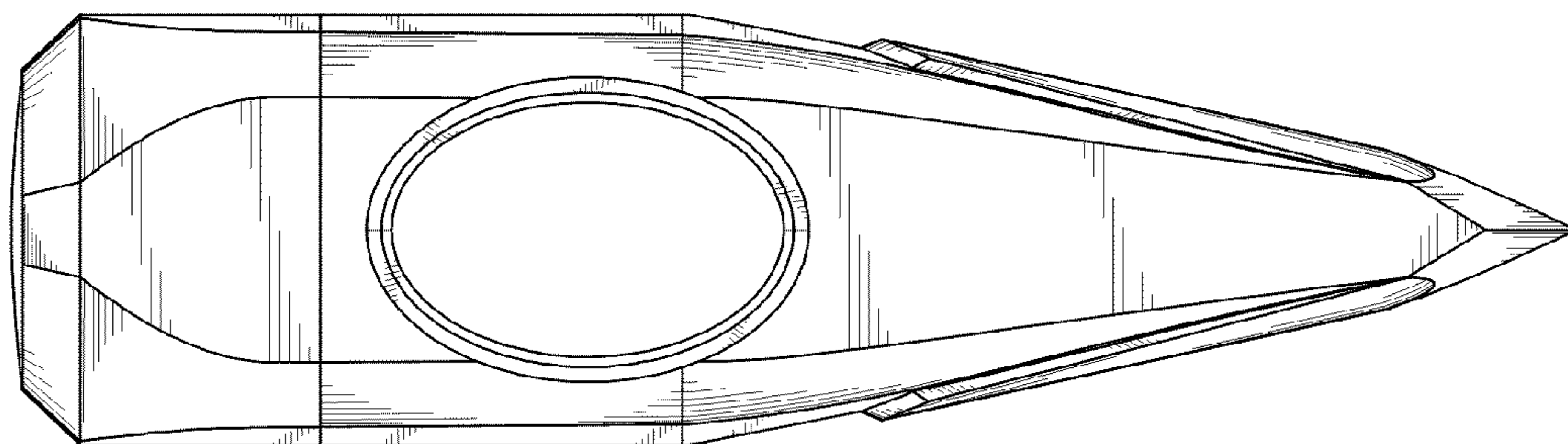


FIG. 6