



US00D644497S

(12) **United States Design Patent**
Livingston, Jr. et al.

(10) **Patent No.:** **US D644,497 S**
(45) **Date of Patent:** **** Sep. 6, 2011**

(54) **SOLID SURFACE SEAMING APPARATUS**

(75) Inventors: **Larry Leigh Livingston, Jr.**, Pilot Hill,
CA (US); **Derek Carlton Westlund**,
Placerville, CA (US)

(73) Assignee: **OmniCubed, Inc.**, Placerville, CA (US)

(**) Term: **14 Years**

(21) Appl. No.: **29/375,167**

(22) Filed: **Sep. 17, 2010**

(51) **LOC (9) Cl.** **08-05**

(52) **U.S. Cl.** **D8/72**

(58) **Field of Classification Search** D8/71-74,
D8/394-399, 354, 355, 356, 59; 248/62,
248/63, 72, 74.1, 689, 124.2, 205.5, 206.3;
81/487; 269/3, 4, 6, 143, 165, 240, 243,
269/246-249, 254 R, 147-149; 29/256,
29/257, 276, 243.5; D15/140; D24/143;
408/103, 104-109; D7/683, 685, 686; 144/144.51;
413/31; 451/299

See application file for complete search history.

(56) **References Cited**

U.S. PATENT DOCUMENTS

21,643	A *	9/1858	Wise	29/243.5
2,241,021	A	5/1941	Riebe	
2,794,485	A *	6/1957	Stageberg et al.	156/498
2,969,624	A *	1/1961	Castine, Jr. et al.	451/299
4,324,048	A	4/1982	Frost	
D266,483	S	10/1982	Merry	D8/356
D267,625	S	1/1983	Dark	D8/73
D273,558	S *	4/1984	Crew	D8/354
4,470,186	A *	9/1984	Knudson	29/243.5
4,691,907	A	9/1987	Yang	
4,726,107	A *	2/1988	Knudson	29/243.5
4,823,636	A	4/1989	Suska	
4,834,354	A	5/1989	Yang	
4,928,938	A	5/1990	Ross	
5,131,780	A	7/1992	Love	
D332,562	S	1/1993	Fremont et al.	D8/73

D365,975	S	1/1996	Cottone	D8/72
D378,343	S	3/1997	Macor	D8/73
D390,241	S	2/1998	Mori	D15/140
D391,150	S	2/1998	Anderson	D8/394
5,715,876	A *	2/1998	Burt	248/205.5
D392,171	S	3/1998	Miller	D8/72
D393,998	S	5/1998	Anderson	D8/394
5,765,902	A	6/1998	Love	
D403,573	S *	1/1999	Garvey, III	D8/354
6,032,939	A	3/2000	Chen	
6,045,126	A	4/2000	Brzezinski	
D487,864	S	3/2004	Varzino	
D491,206	S *	6/2004	Okugawa	D15/140
6,779,765	B2 *	8/2004	Zheng et al.	248/206.3
6,893,012	B2	5/2005	Wong	
7,000,519	B1	2/2006	Weinstein et al.	
7,025,309	B2	4/2006	Goodwin et al.	248/74.4
D551,528	S	9/2007	Vautour	D8/72

(Continued)

Primary Examiner — David Muller

(74) *Attorney, Agent, or Firm* — Manuel F. de la Cerra

(57) **CLAIM**

The ornamental design for a solid surface seaming apparatus, as shown and described.

DESCRIPTION

FIG. 1 is a top left perspective view of the solid surface seaming apparatus.

FIG. 2 is a top right perspective view thereof;

FIG. 3 is a bottom left perspective view thereof;

FIG. 4 is a bottom right perspective view thereof;

FIG. 5 is a front elevation view thereof;

FIG. 6 is a rear elevation view thereof;

FIG. 7 is a left side elevation view thereof;

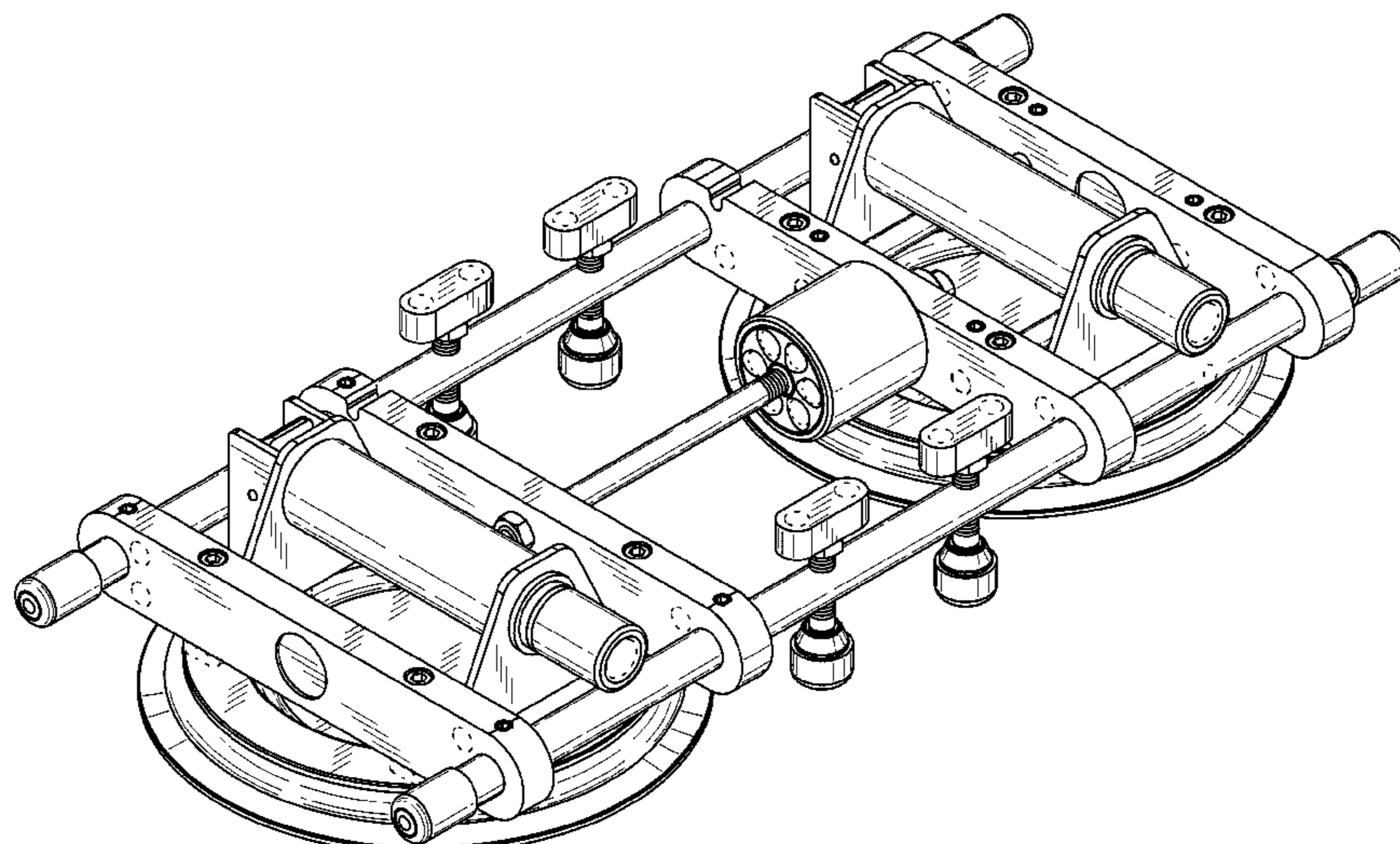
FIG. 8 is a right side elevation view thereof;

FIG. 9 is a top plan view thereof; and,

FIG. 10 is a bottom plan view thereof.

The broken line showing of parts of the drawings is included for the purpose of illustrating use and environment and forms no part of the claimed design.

1 Claim, 8 Drawing Sheets



US D644,497 S

Page 2

U.S. PATENT DOCUMENTS

7,347,018	B2 *	3/2008	Haggard, Jr.	248/206.3	D577,560	S	9/2008	Franks, Jr.	D8/72
D567,619	S *	4/2008	Rianda	D8/73	D583,656	S	12/2008	Bush	D8/397
7,406,758	B2 *	8/2008	Jones et al.	248/205.5	2003/0025262	A1	2/2003	Kranzler	

* cited by examiner

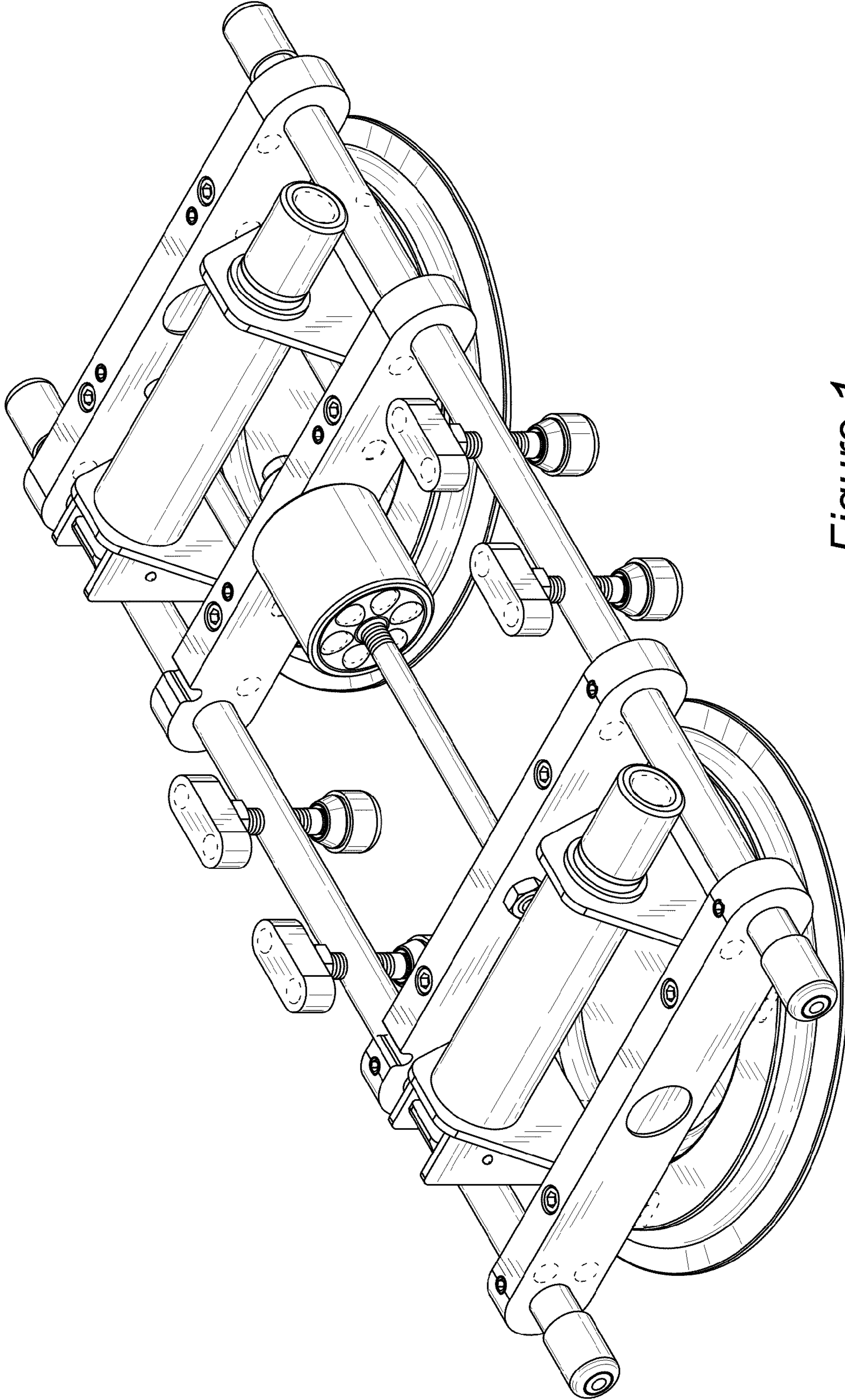


Figure 1

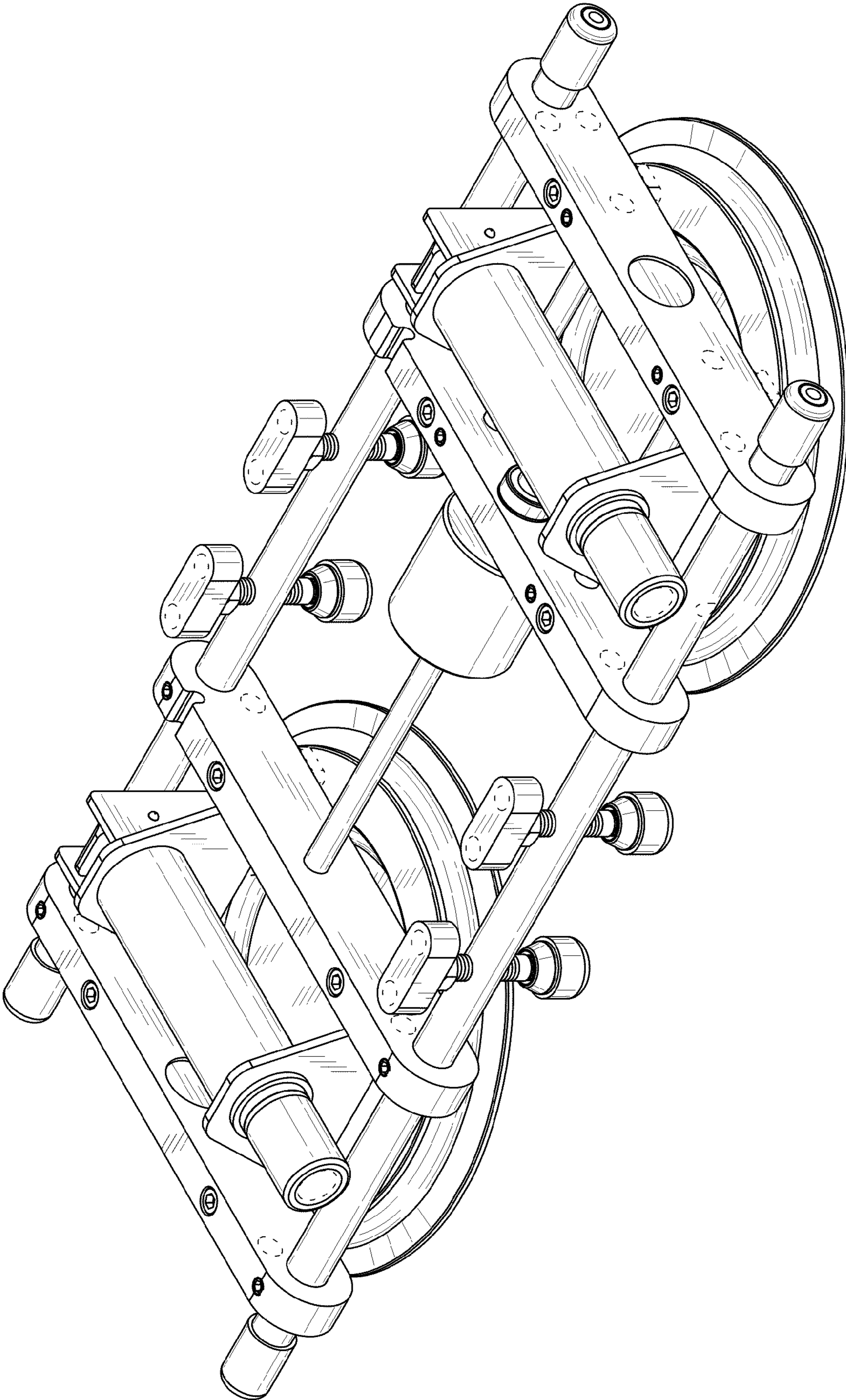


Figure 2

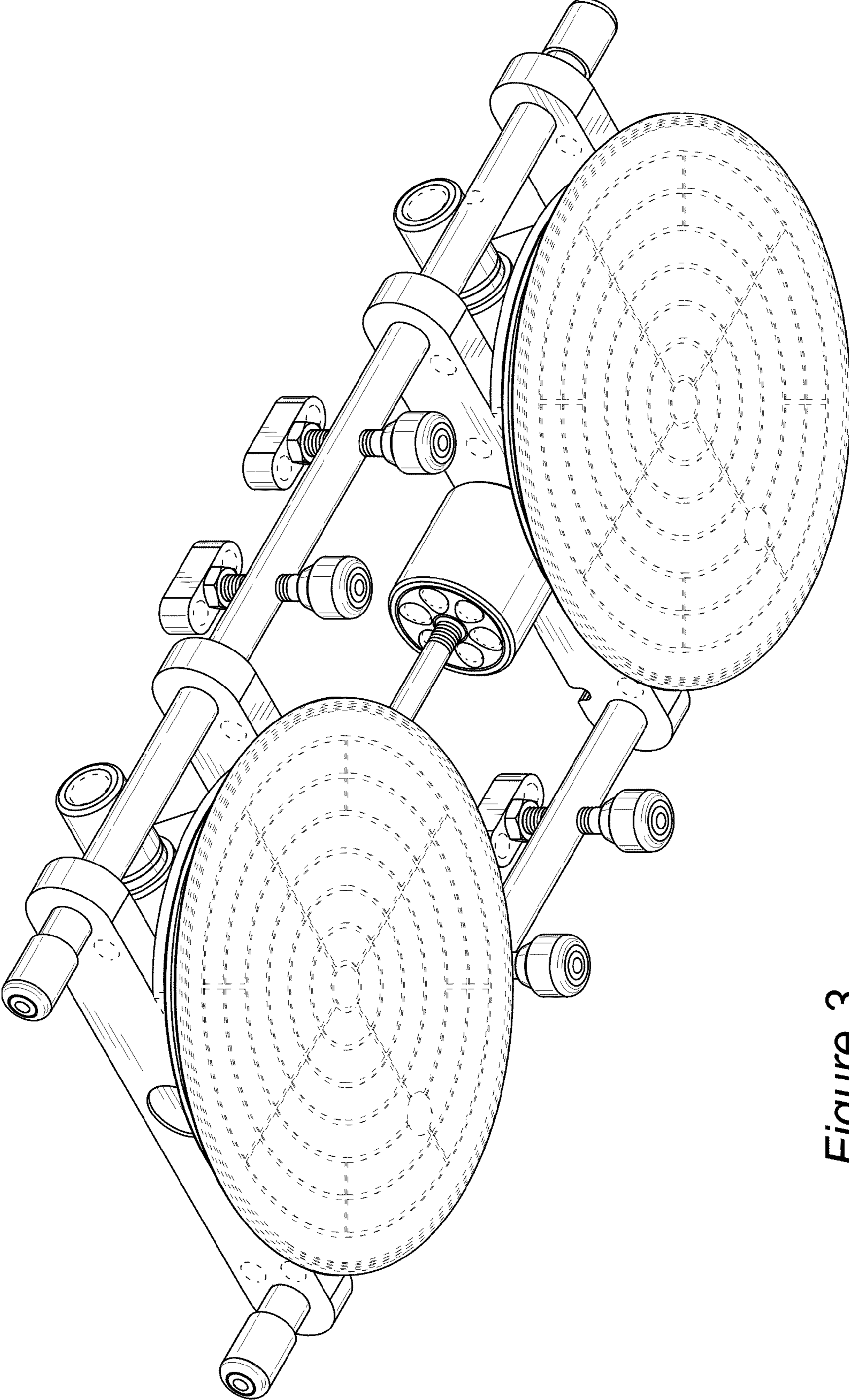


Figure 3

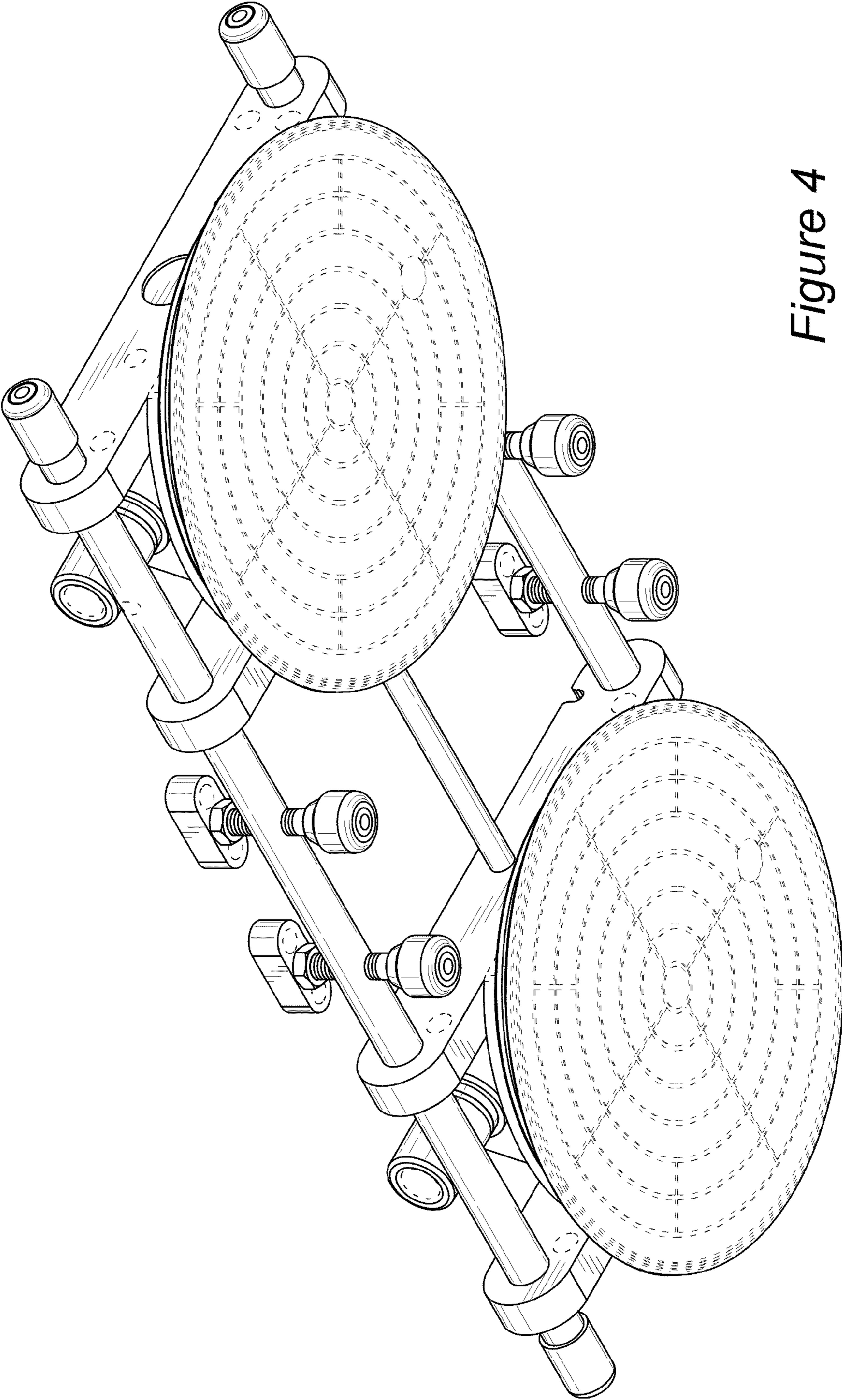


Figure 4

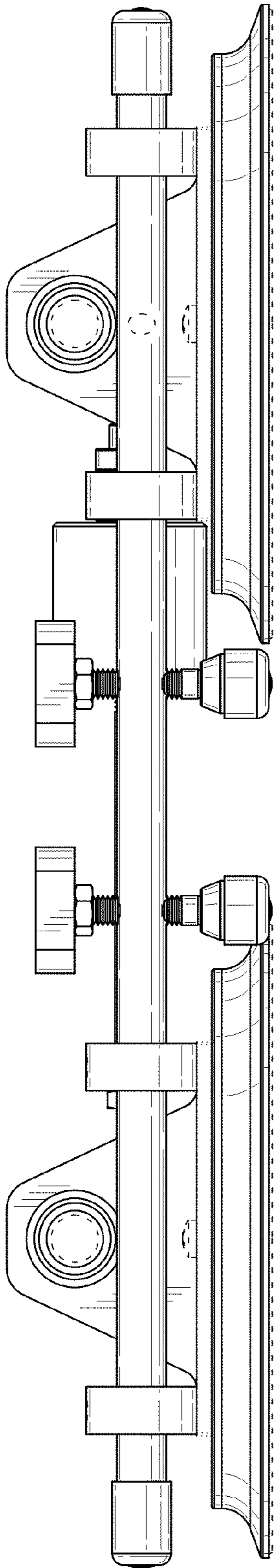


Figure 5

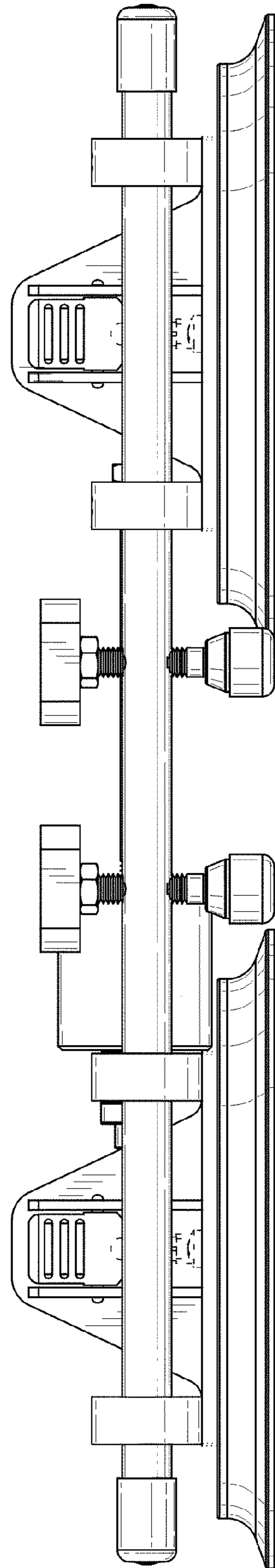


Figure 6

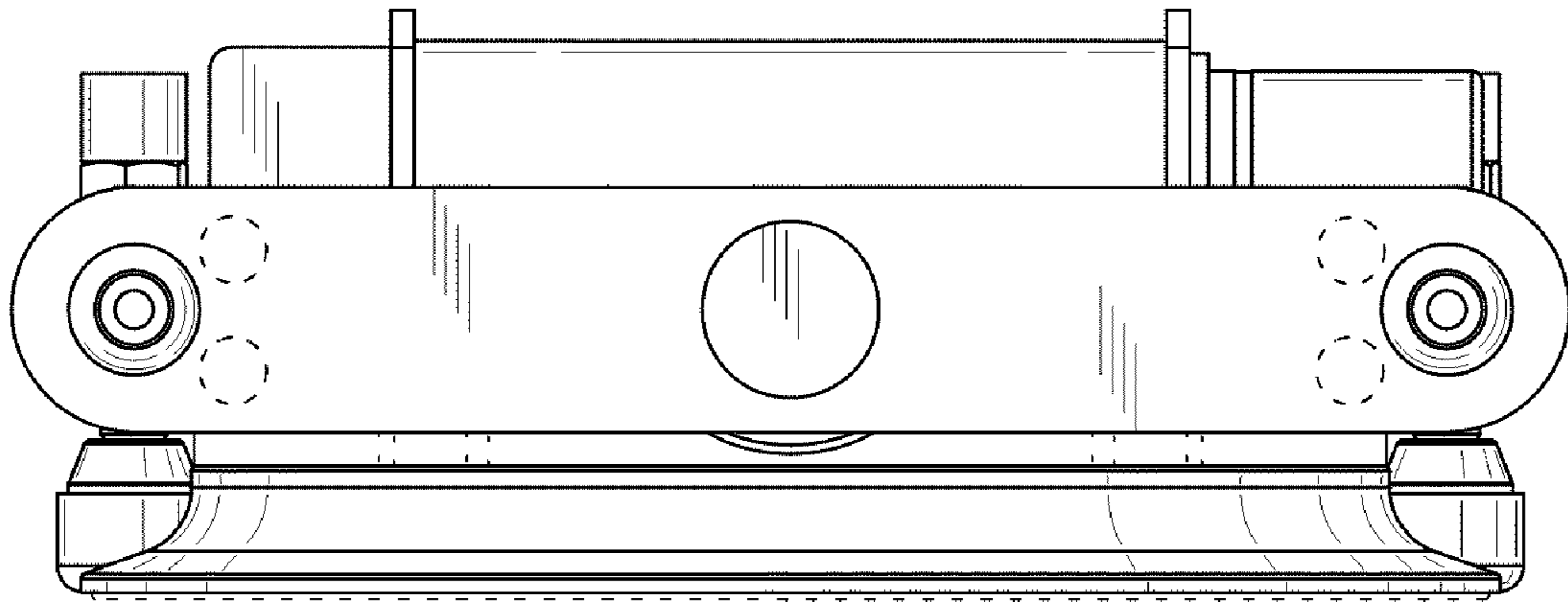


Figure 7

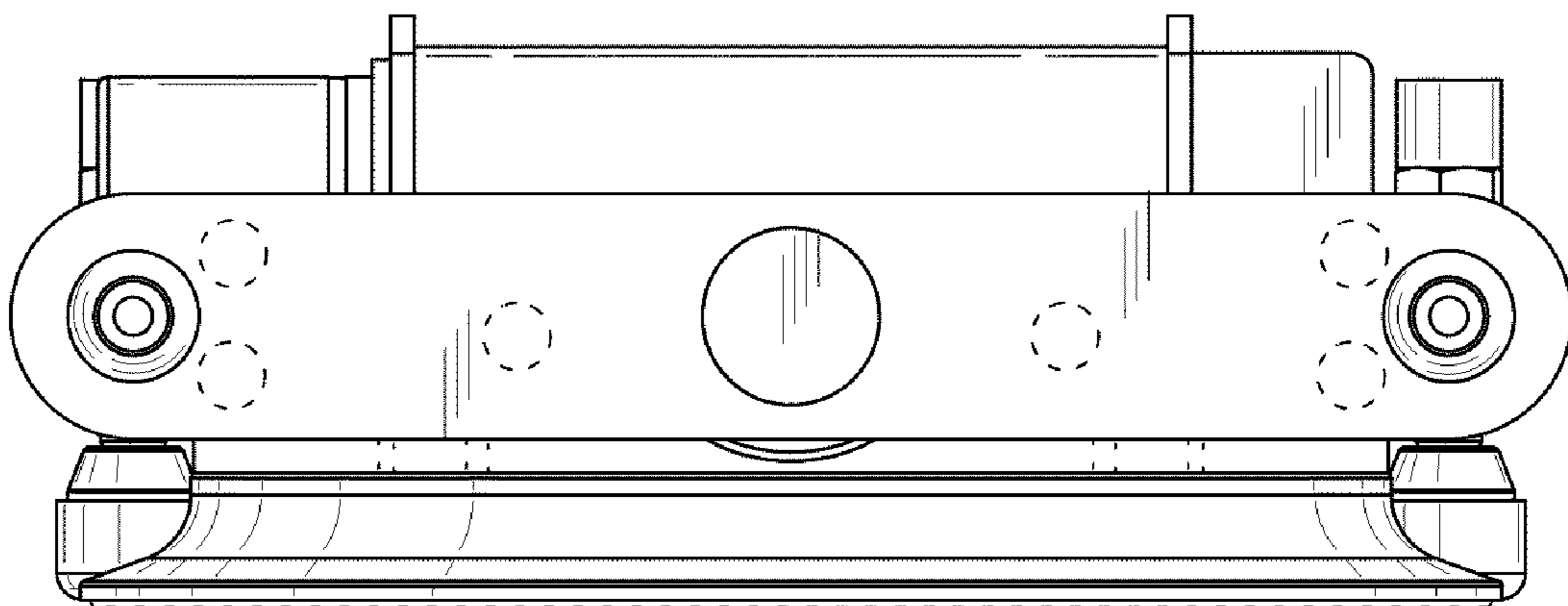


Figure 8

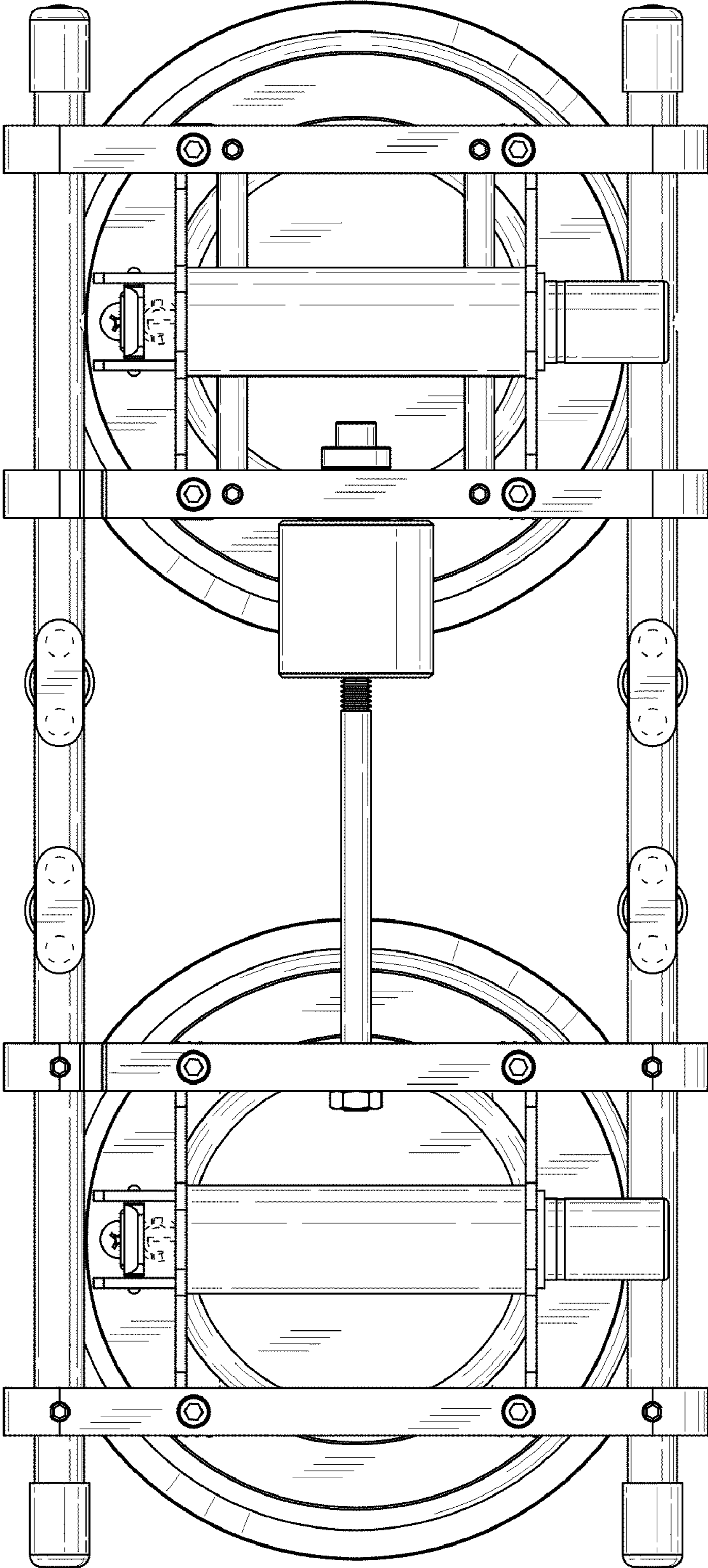


Figure 9

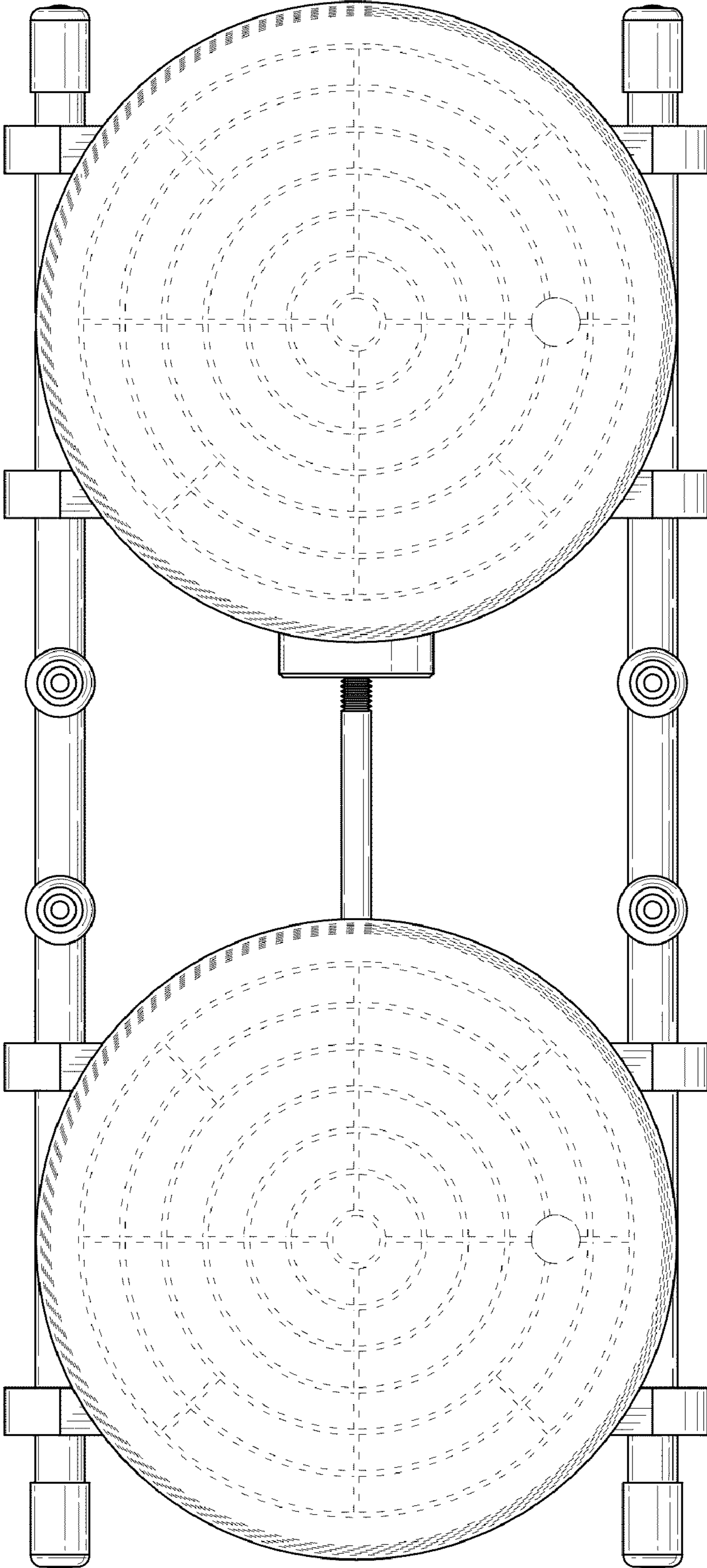


Figure 10