



US00D644496S

(12) **United States Design Patent**
Sugishita et al.

(10) **Patent No.:** **US D644,496 S**

(45) **Date of Patent:** **** Sep. 6, 2011**

(54) **PORTABLE CHAIN SAW GUARD**

(75) Inventors: **Yuu Sugishita**, Kawagoe (JP); **Shouta Takeshima**, Kawagoe (JP); **Ryouichi Kanesaka**, Kawagoe (JP); **Takashi Nakamura**, Kawagoe (JP)

(73) Assignee: **Husqvarna Zenoah Co., Ltd.**,
Saitama-ken (JP)

(**) Term: **14 Years**

(21) Appl. No.: **29/384,826**

(22) Filed: **Feb. 4, 2011**

(30) **Foreign Application Priority Data**

Aug. 20, 2010 (JP) 2010-020224

(51) **LOC (9) Cl.** **08-05**

(52) **U.S. Cl.** **D8/70**

(58) **Field of Classification Search** D8/64-66,
D8/70; 30/370, 371, 381, 382, 383, 286
See application file for complete search history.

(56) **References Cited**

U.S. PATENT DOCUMENTS

5,006,740	A	4/1991	Palm
D326,987	S	6/1992	Lilja et al.
D327,832	S	7/1992	Lilja et al.
5,168,837	A	12/1992	Scholz

5,287,832	A	2/1994	Uhl
5,984,054	A	11/1999	Martinsson
6,152,089	A	11/2000	Neumann et al.
6,578,543	B2	6/2003	Radel
7,096,859	B2	8/2006	Hamisch et al.
7,162,988	B1	1/2007	Liao
7,311,067	B2	12/2007	Riehmann
7,367,409	B2	5/2008	Stones
7,699,902	B2	4/2010	Ohsawa et al.
7,900,661	B2	3/2011	Thorson et al.
7,905,261	B2*	3/2011	Hamisch et al. 150/157

* cited by examiner

Primary Examiner — Antoine D Davis

(74) *Attorney, Agent, or Firm* — Fish & Richardson P.C.

(57) **CLAIM**

The ornamental design for a portable chain saw guard, as shown.

DESCRIPTION

FIG. 1 is a front perspective view of a portable chain saw guard showing our new design;
FIG. 2 is a rear perspective view thereof;
FIG. 3 is a front view thereof;
FIG. 4 is a rear view thereof;
FIG. 5 is a top plan view thereof;
FIG. 6 is a bottom plan view thereof;
FIG. 7 is a right side view thereof; and,
FIG. 8 is a left side view thereof.

1 Claim, 8 Drawing Sheets

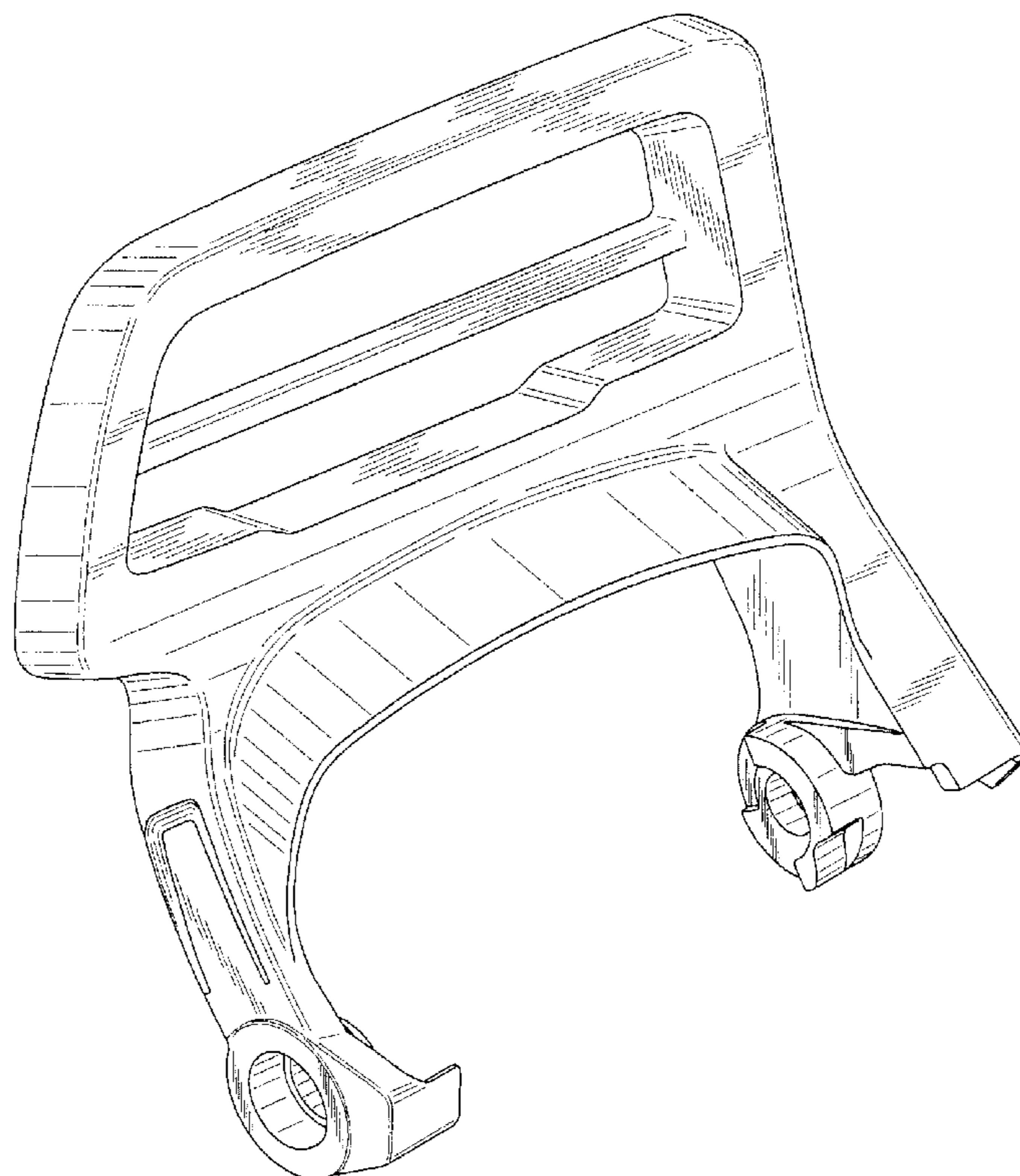


FIG. 1

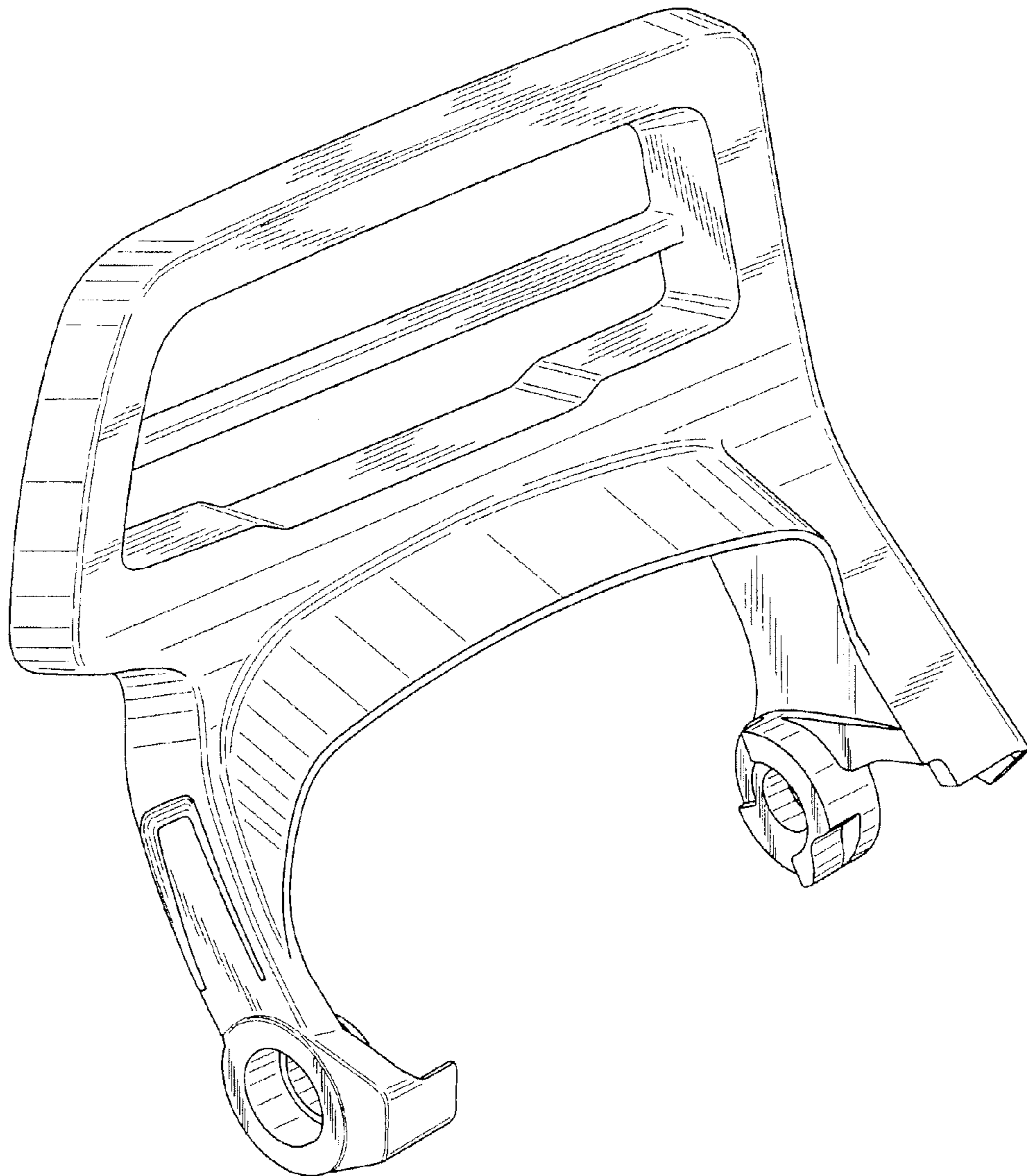


FIG. 2

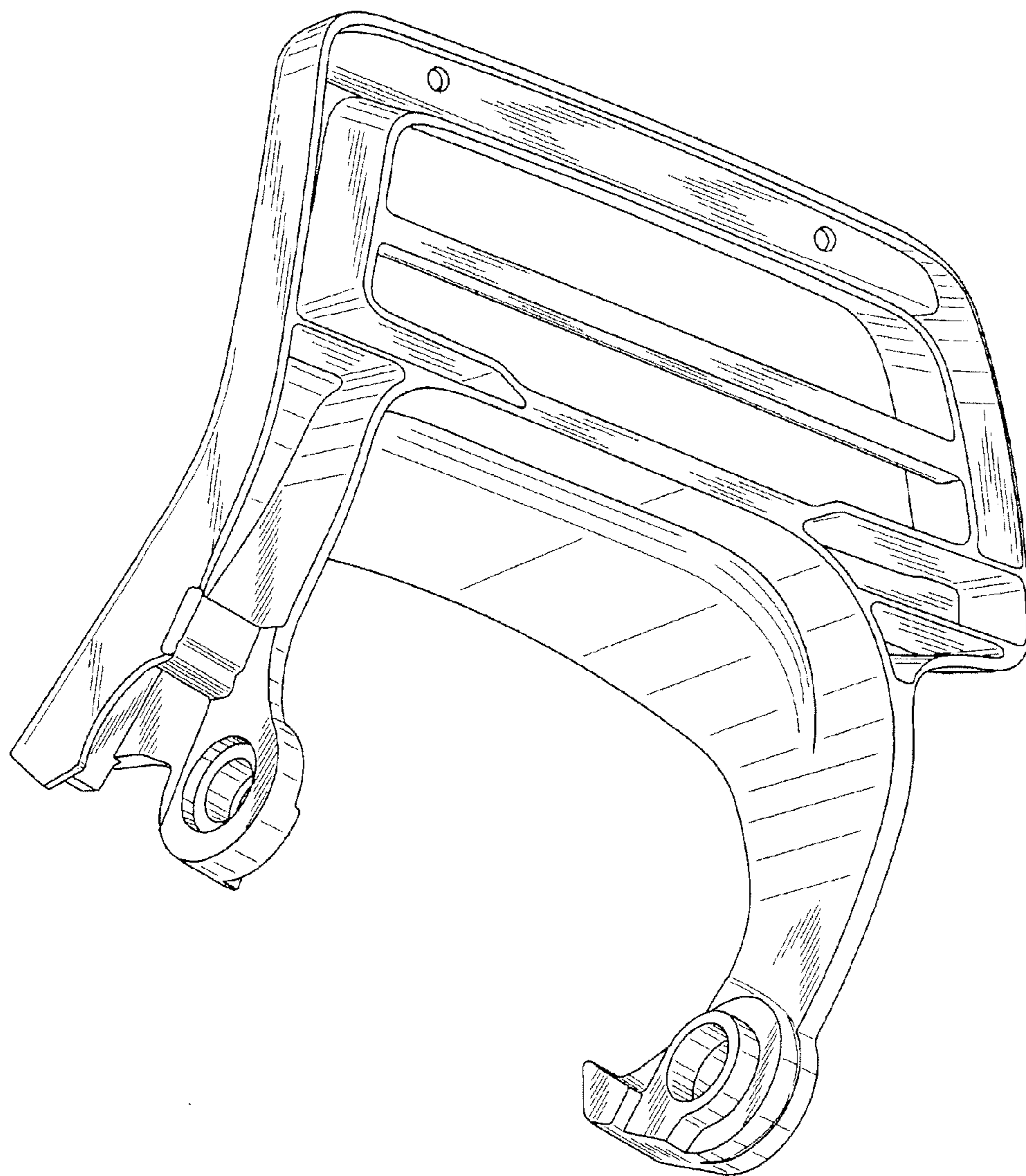


FIG. 3

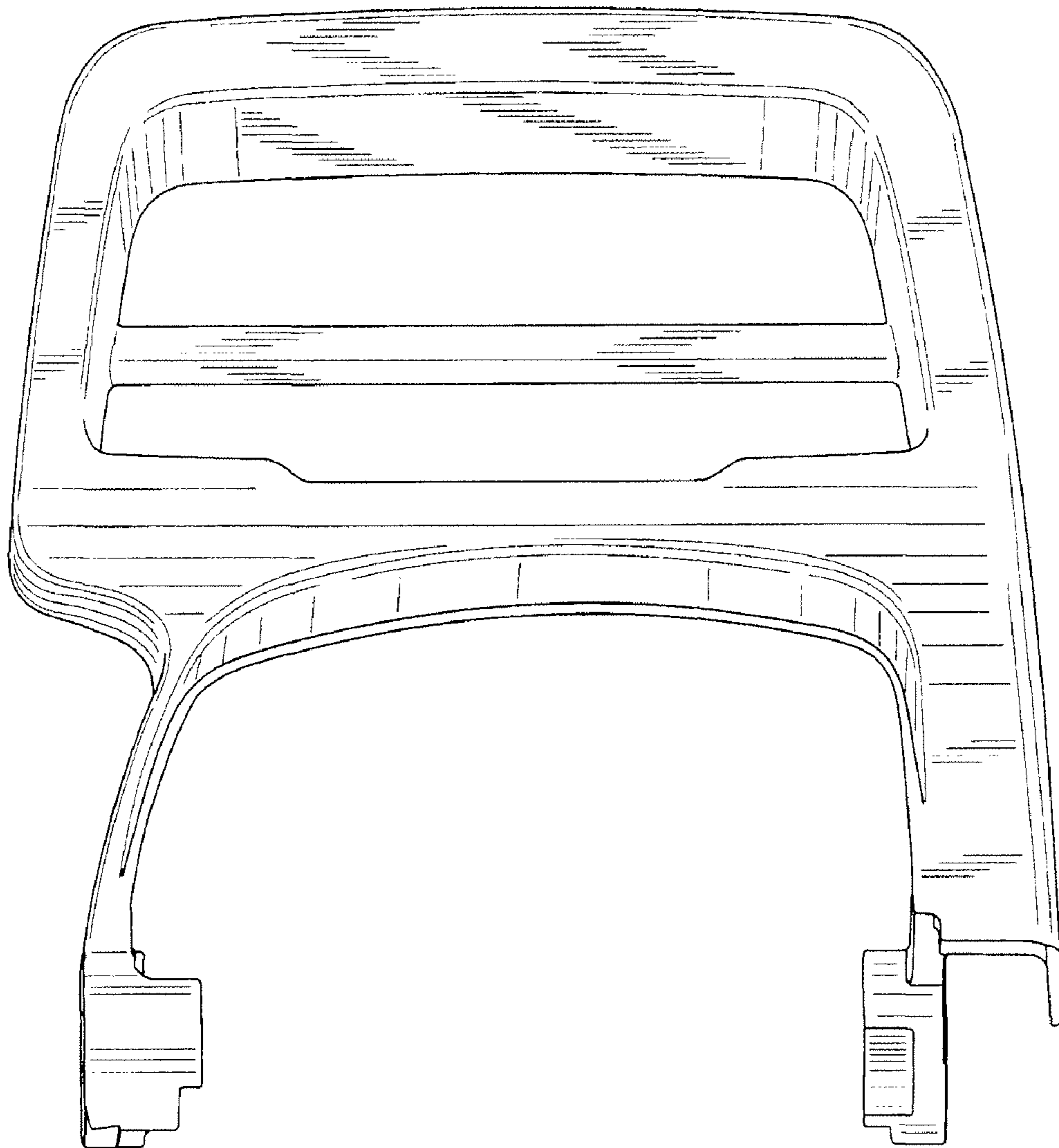


FIG. 4

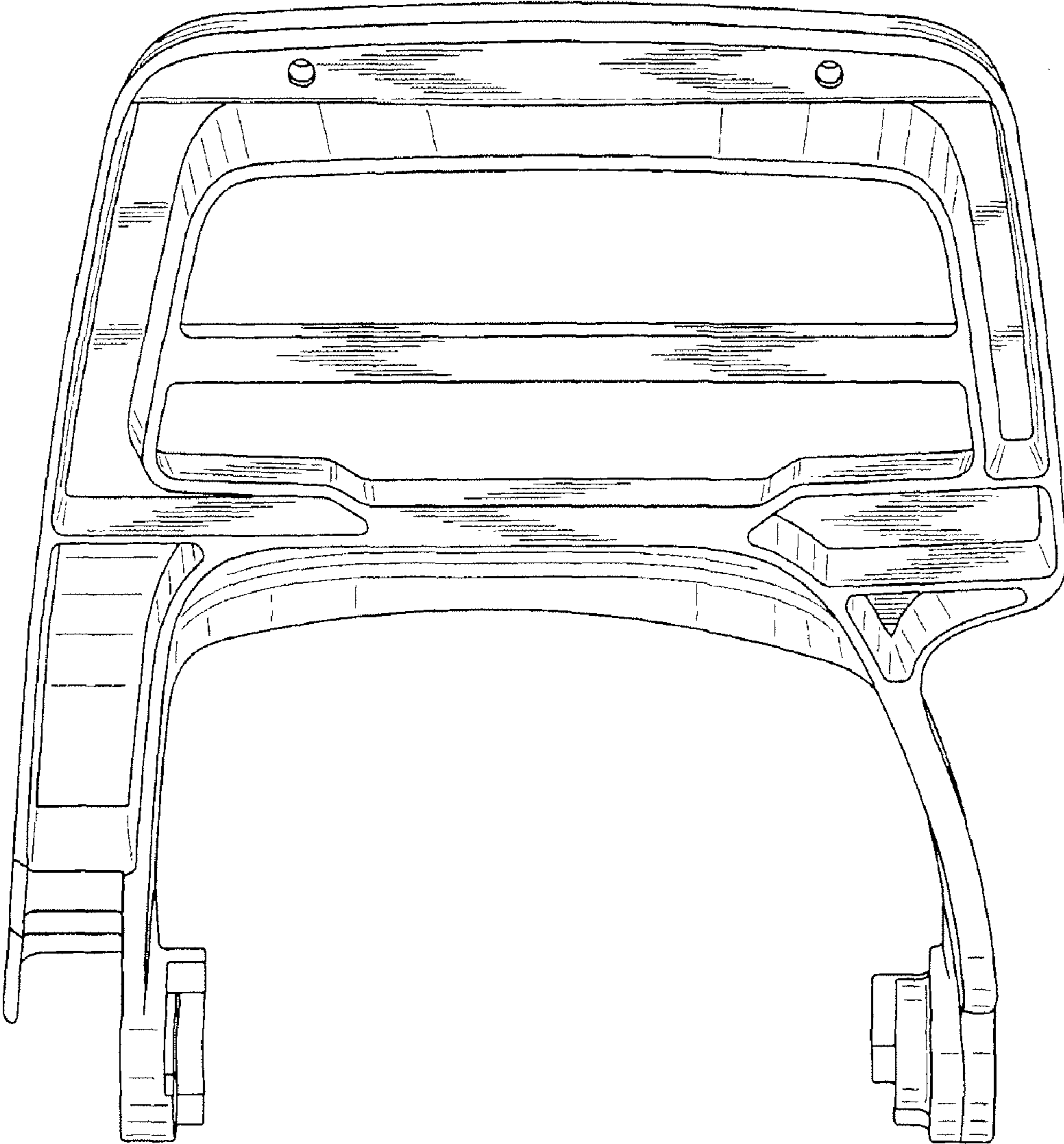


FIG. 5

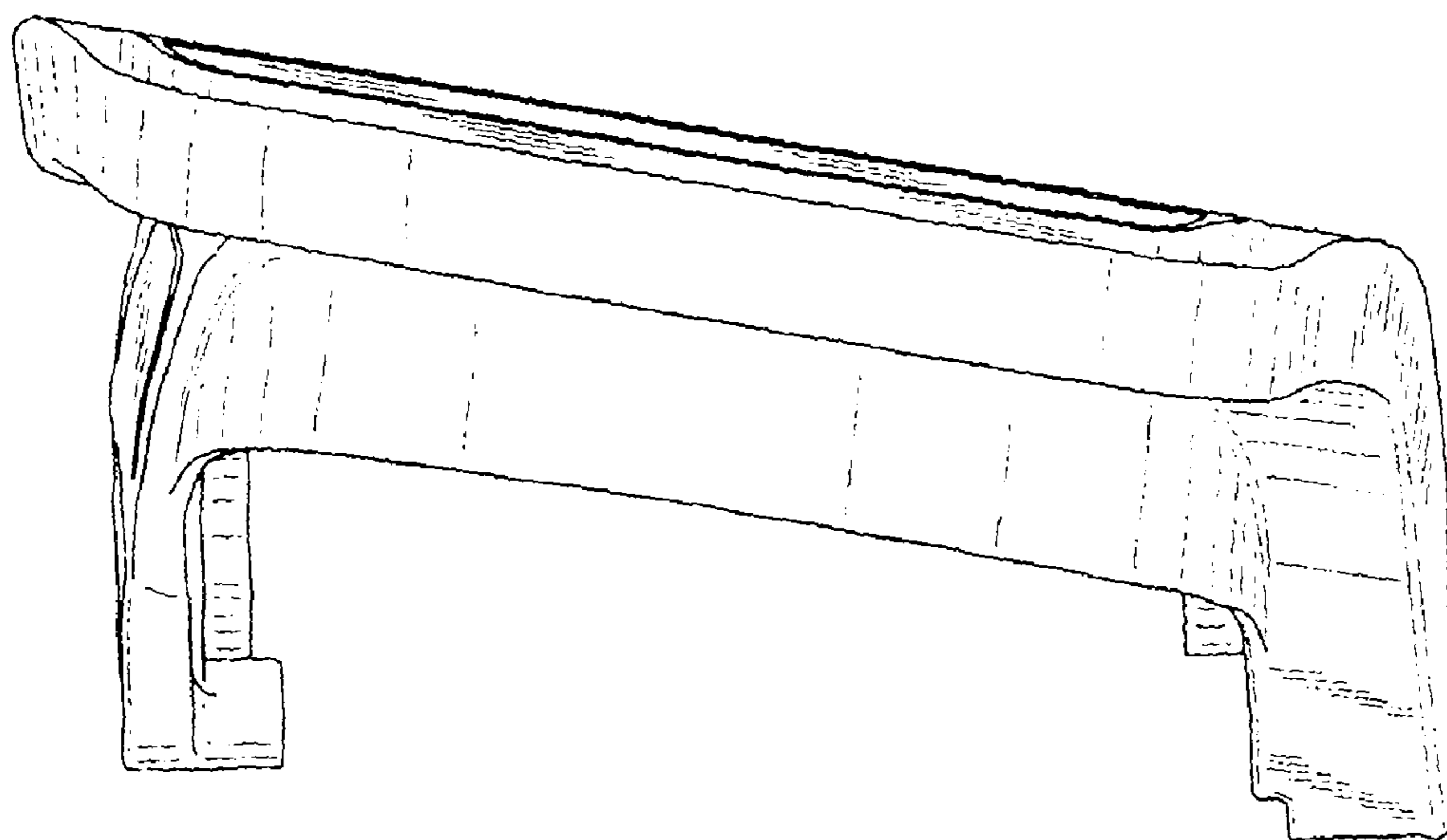


FIG. 6

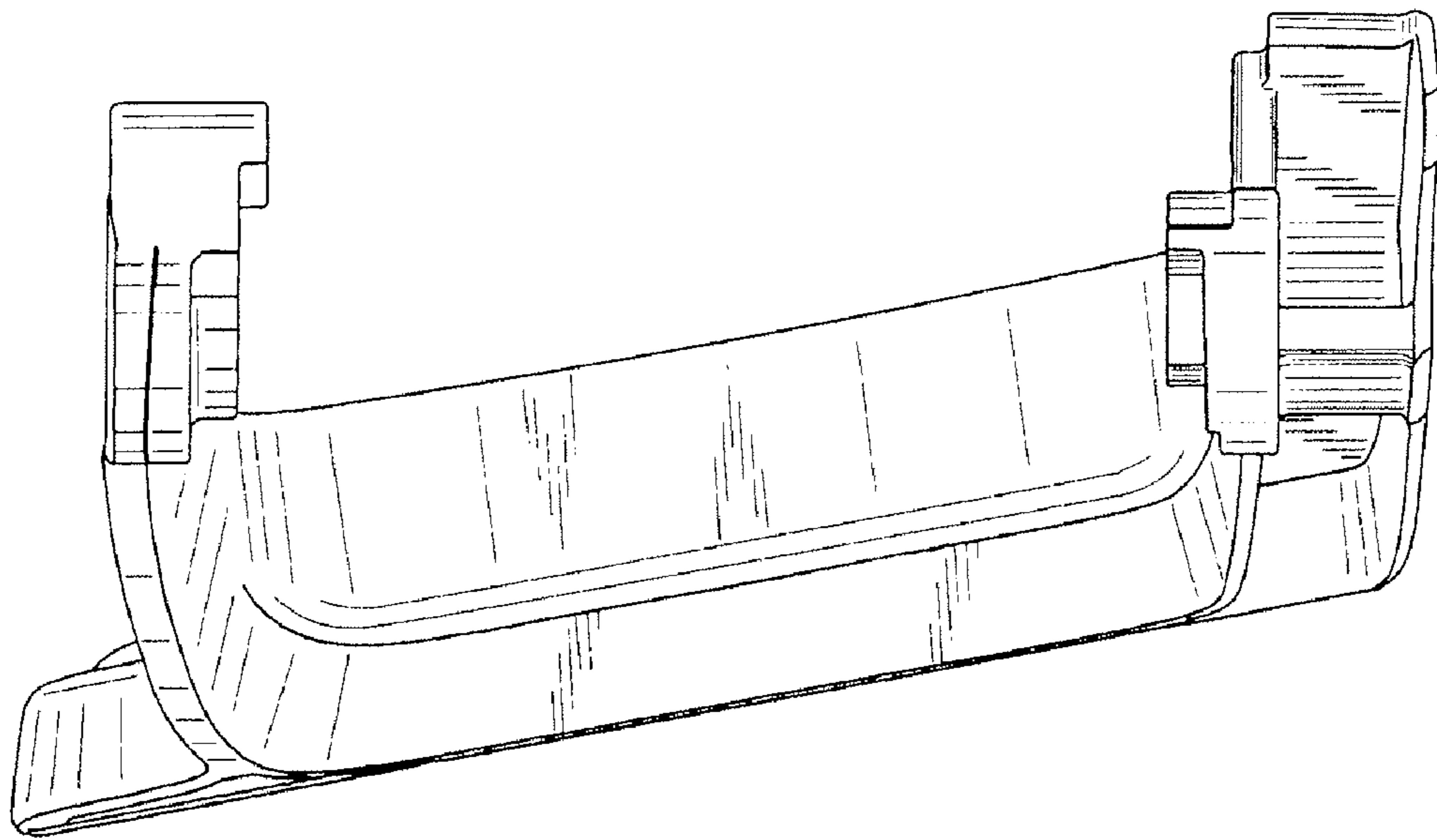


FIG. 7

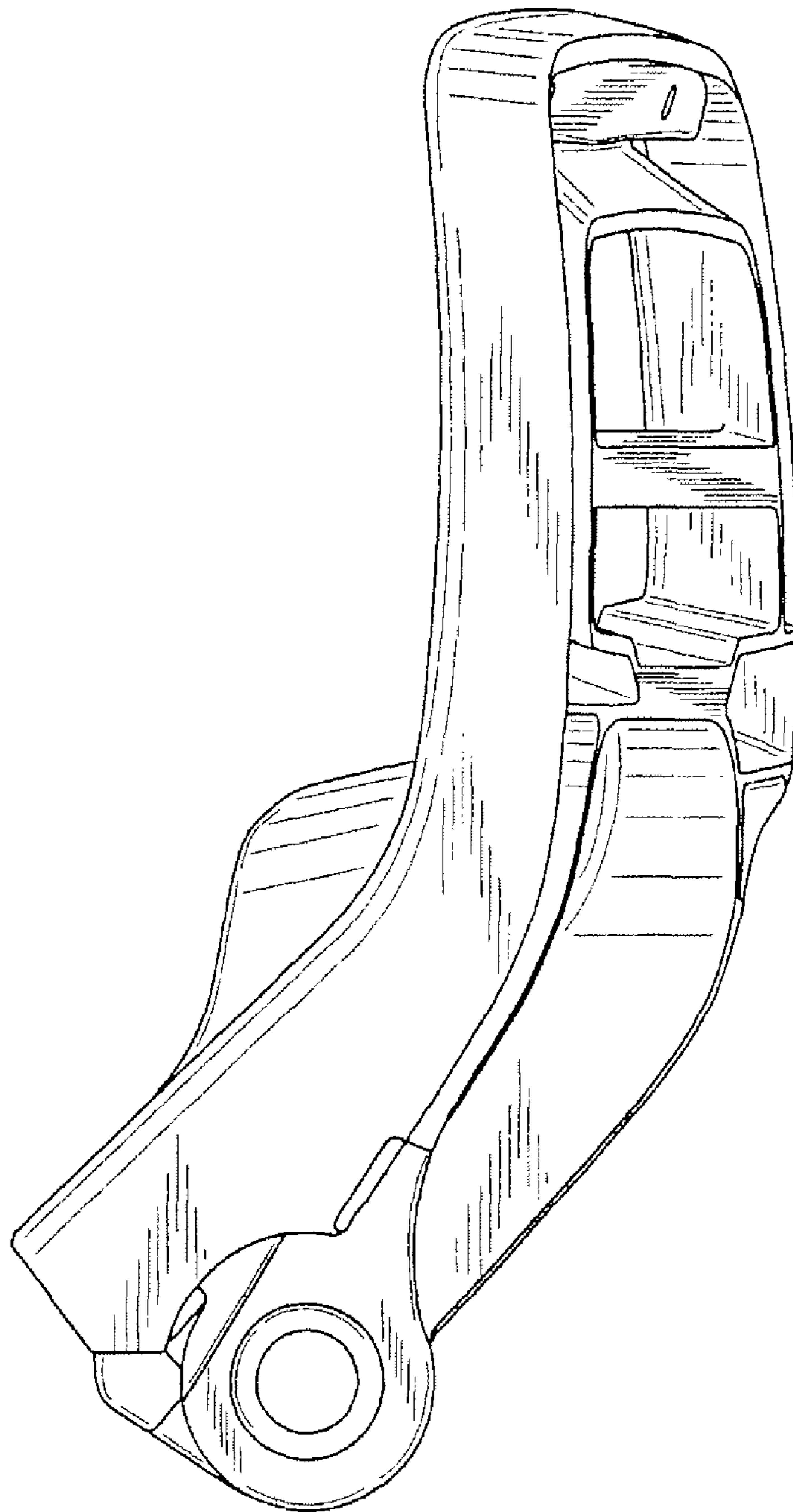


FIG. 8

