



US00D644495S

(12) **United States Design Patent**
Misaki et al.

(10) **Patent No.:** **US D644,495 S**

(45) **Date of Patent:** **** Sep. 6, 2011**

(54) **PORTABLE ELECTRIC DRILL**

(56) **References Cited**

(75) Inventors: **Shingo Misaki**, Anjo (JP); **Tomonori Kawase**, Anjo (JP); **Tomoyuki Kondo**, Anjo (JP); **Tomohiro Hachisuka**, Anjo (JP)

U.S. PATENT DOCUMENTS

D587,083 S	2/2009	Misaki	
D605,486 S *	12/2009	Aglassinger	D8/68
D611,319 S *	3/2010	Van Wambeke et al.	D8/68
D617,621 S *	6/2010	Houghton et al.	D8/68
D618,975 S *	7/2010	Yamamoto	D8/68
D626,394 S *	11/2010	Lopano	D8/68

(73) Assignee: **Makita Corporation**, Anjo-shi (JP)

* cited by examiner

(**) Term: **14 Years**

Primary Examiner — Antoine D Davis

(21) Appl. No.: **29/379,454**

(74) *Attorney, Agent, or Firm* — Oliff & Berridge, PLC

(22) Filed: **Nov. 19, 2010**

(57) **CLAIM**

The ornamental design for a portable electric drill, as shown and described.

(30) **Foreign Application Priority Data**

DESCRIPTION

May 19, 2010 (JP) 2010-12255

(51) **LOC (9) Cl.** **08-04**

(52) **U.S. Cl.** **D8/68**

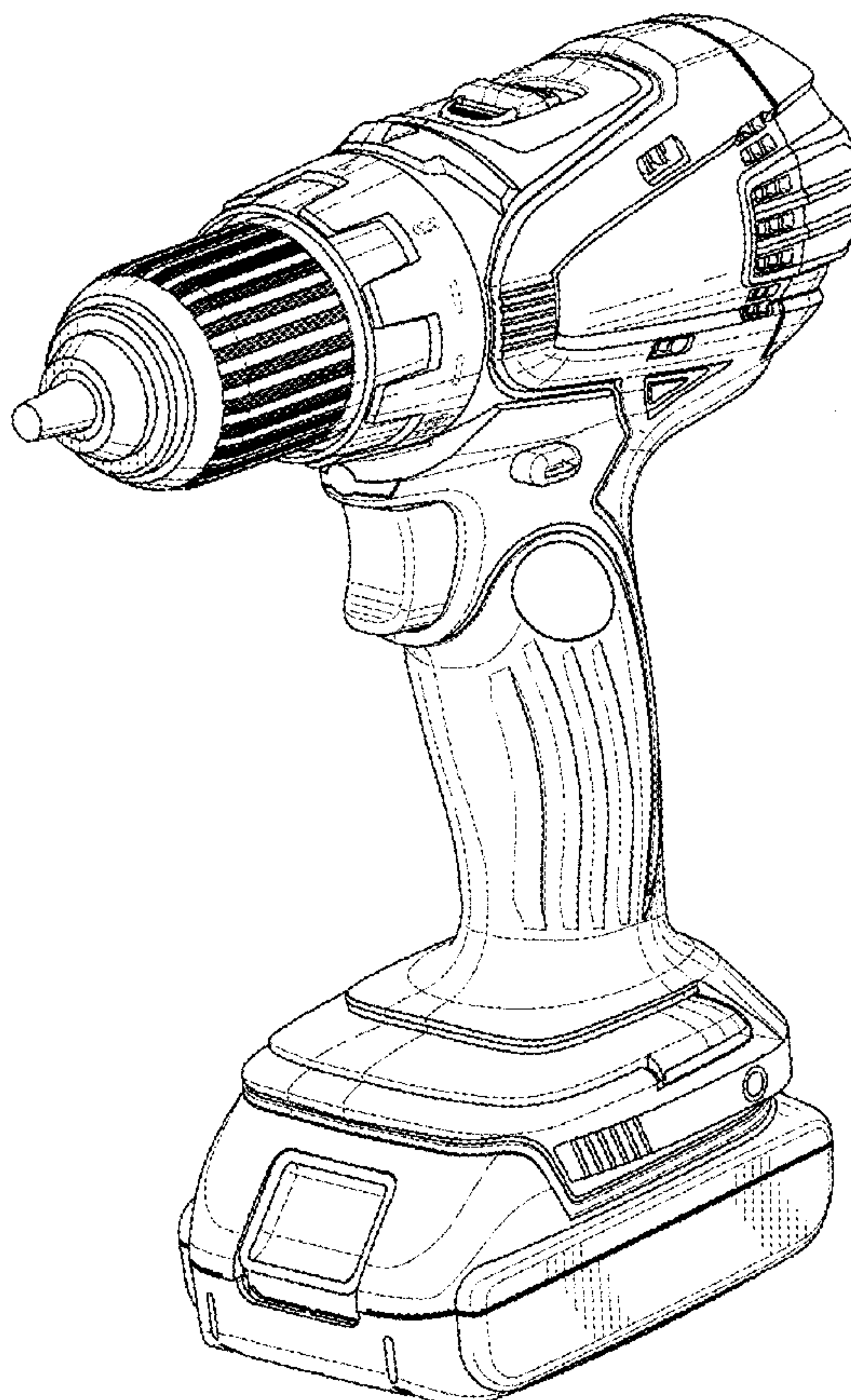
(58) **Field of Classification Search** D8/61-70;
81/57.11, 429, 454-456, 469, 489; 173/13,
173/46, 104, 114, 167-173, 178, 201, 211,
173/213, 214, 217, 198; 227/8, 113, 114,
227/120, 130, 136, 142; 310/50; 408/20,
408/35, 117, 124, 125, 234, 241 R, 58, 67;
451/358; 7/158, 165

FIG. 1 is a perspective view of a portable electric drill showing our new design;
FIG. 2 is a front elevation view thereof;
FIG. 3 is a rear elevation view thereof;
FIG. 4 is a left side elevation view thereof;
FIG. 5 is a right side elevation view thereof;
FIG. 6 is a top plan view thereof; and,
FIG. 7 is a bottom plan view thereof.

The broken lines shown in the drawings represent unclaimed portions of the portable electric drill and form no part of the claimed design.

See application file for complete search history.

1 Claim, 5 Drawing Sheets



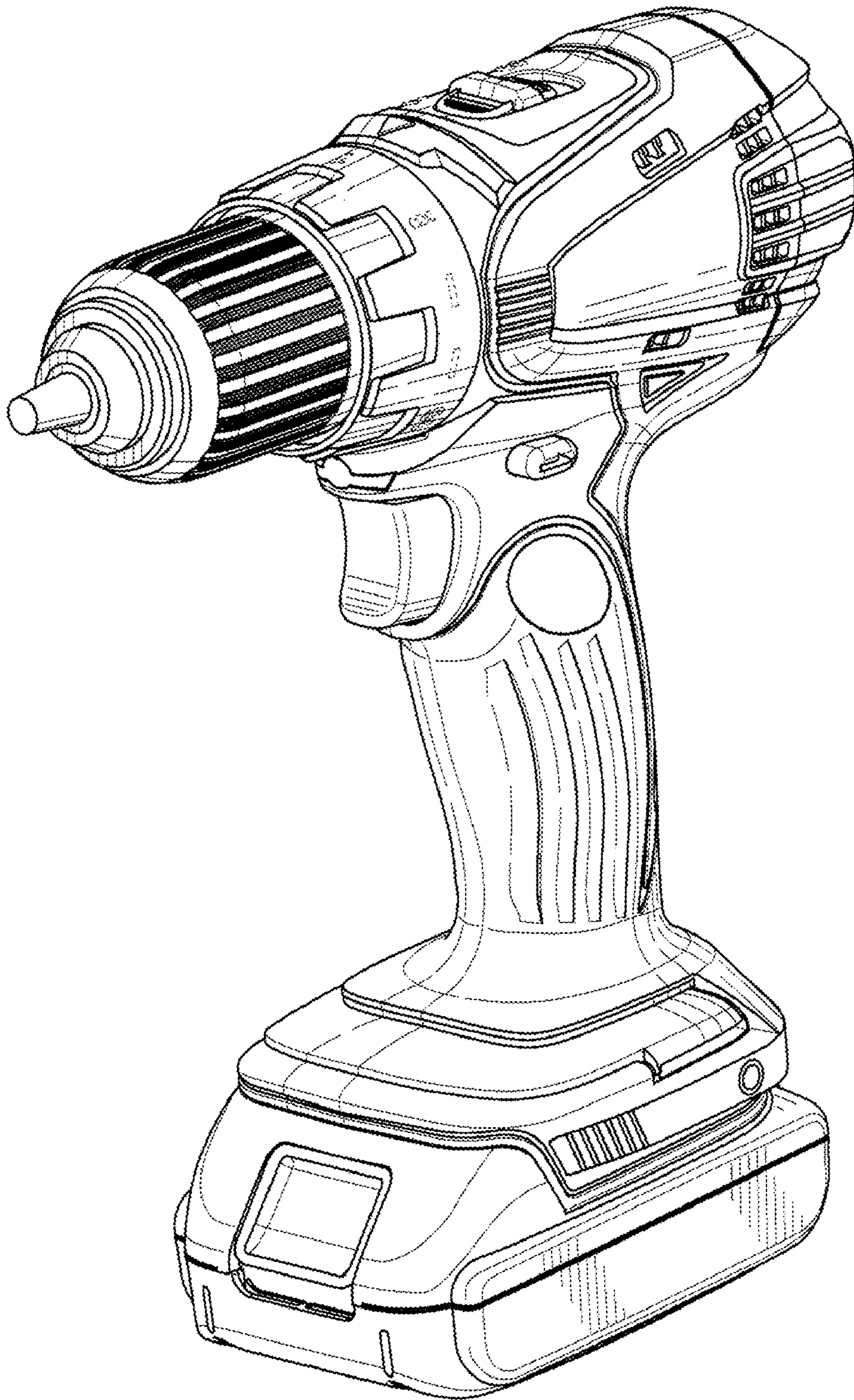


FIG. 1

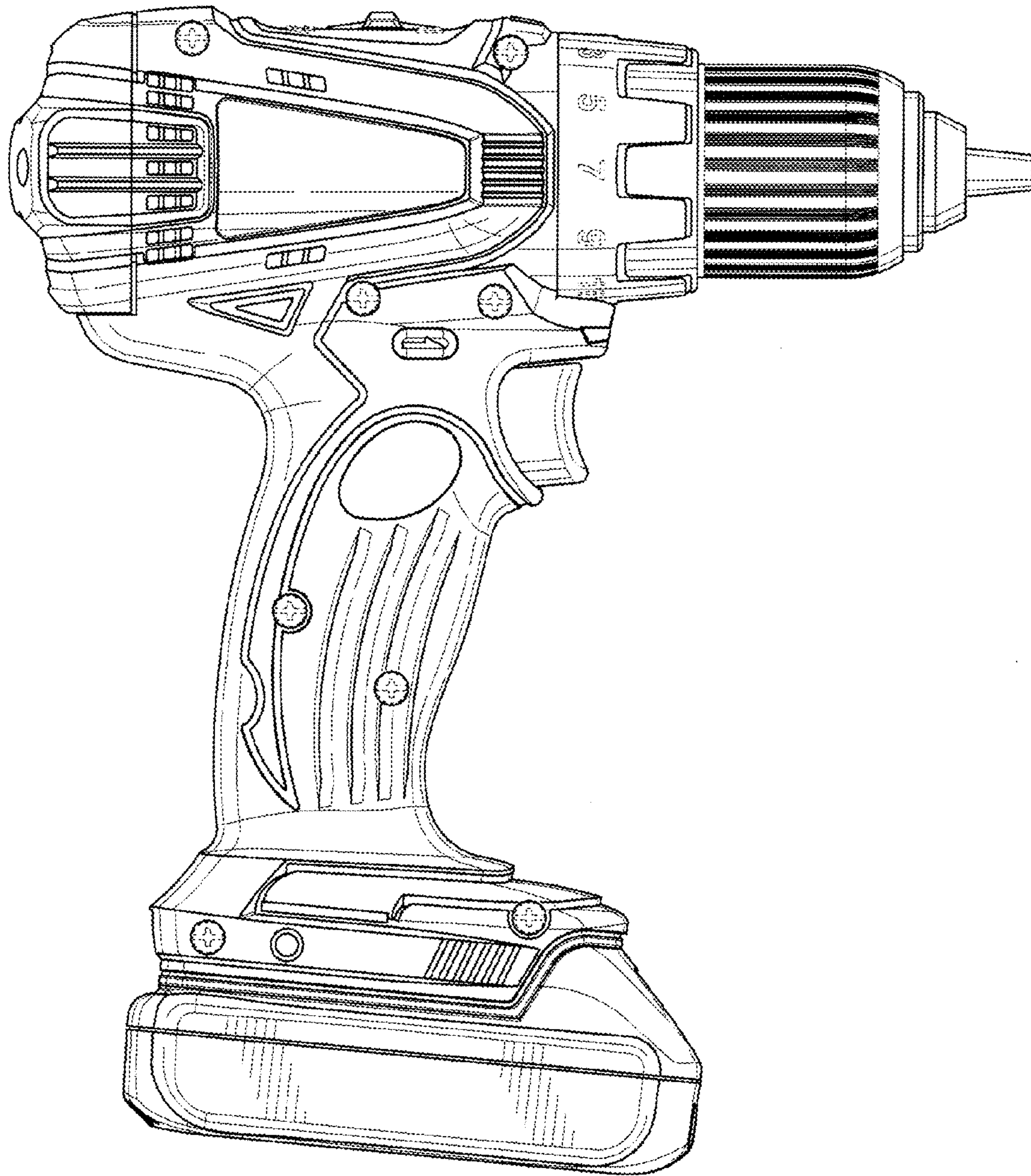


FIG. 2

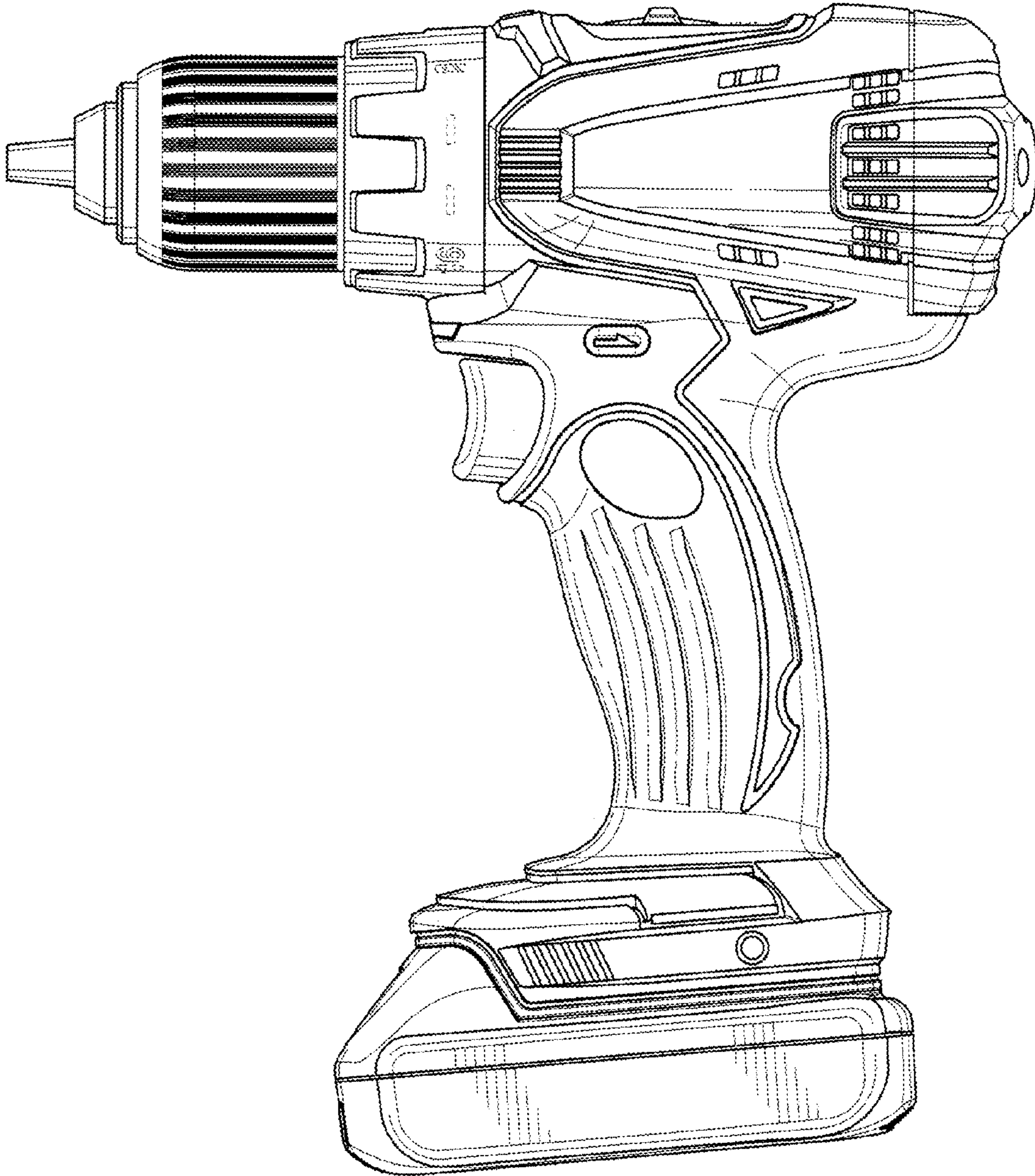


FIG. 3

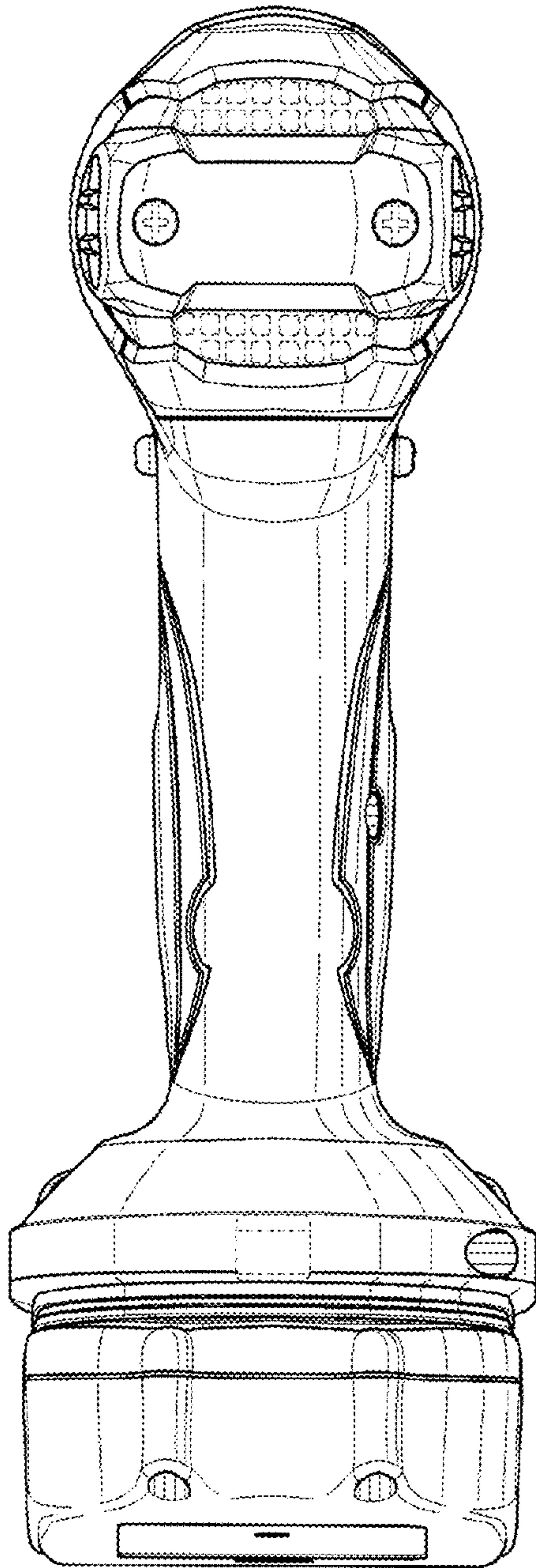


FIG. 4

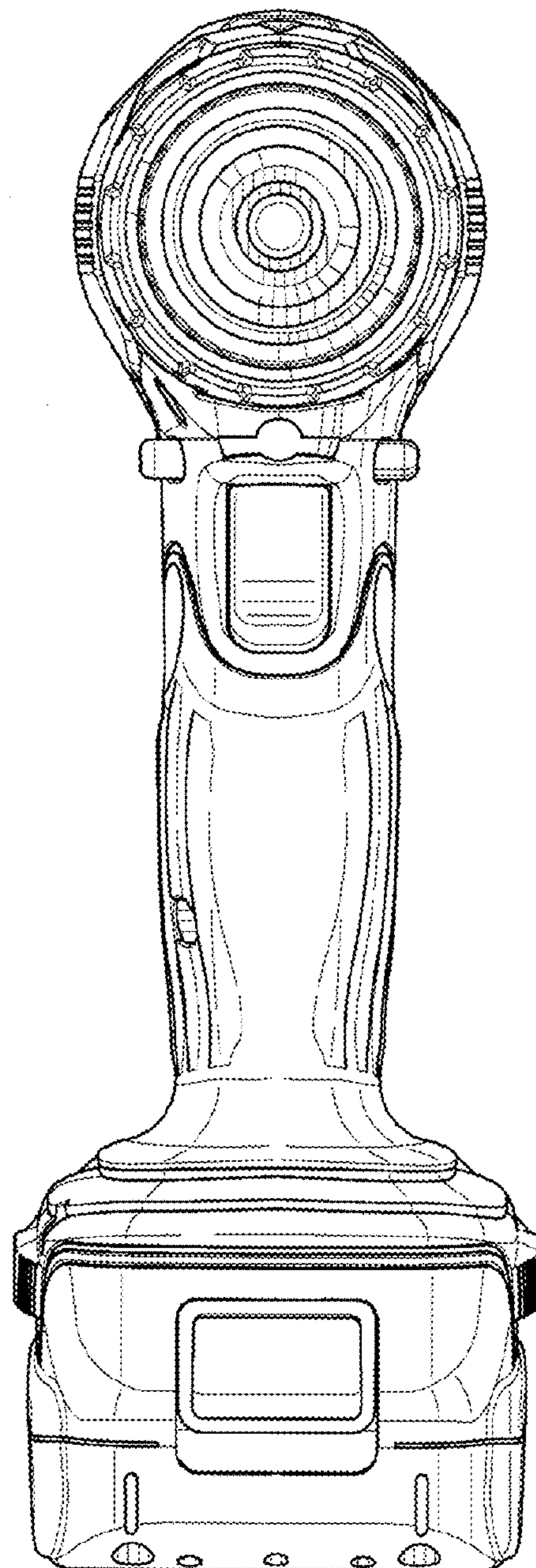


FIG. 5

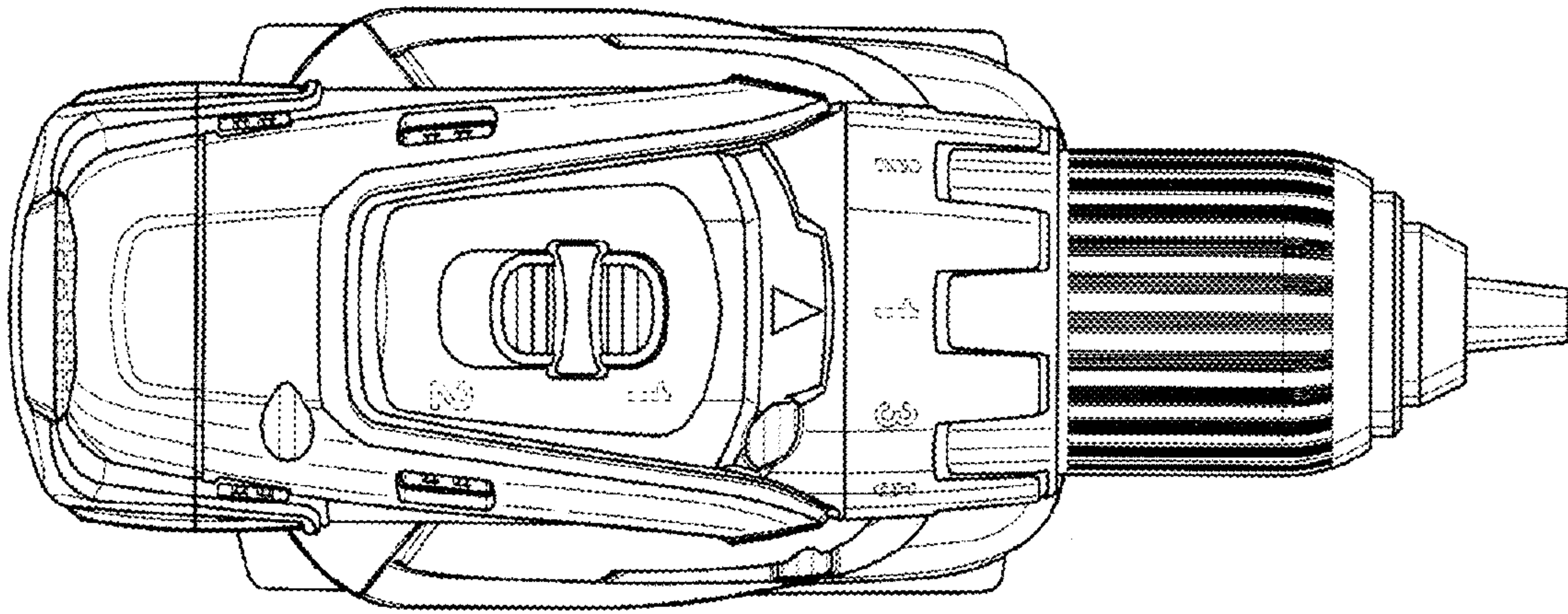


FIG. 6

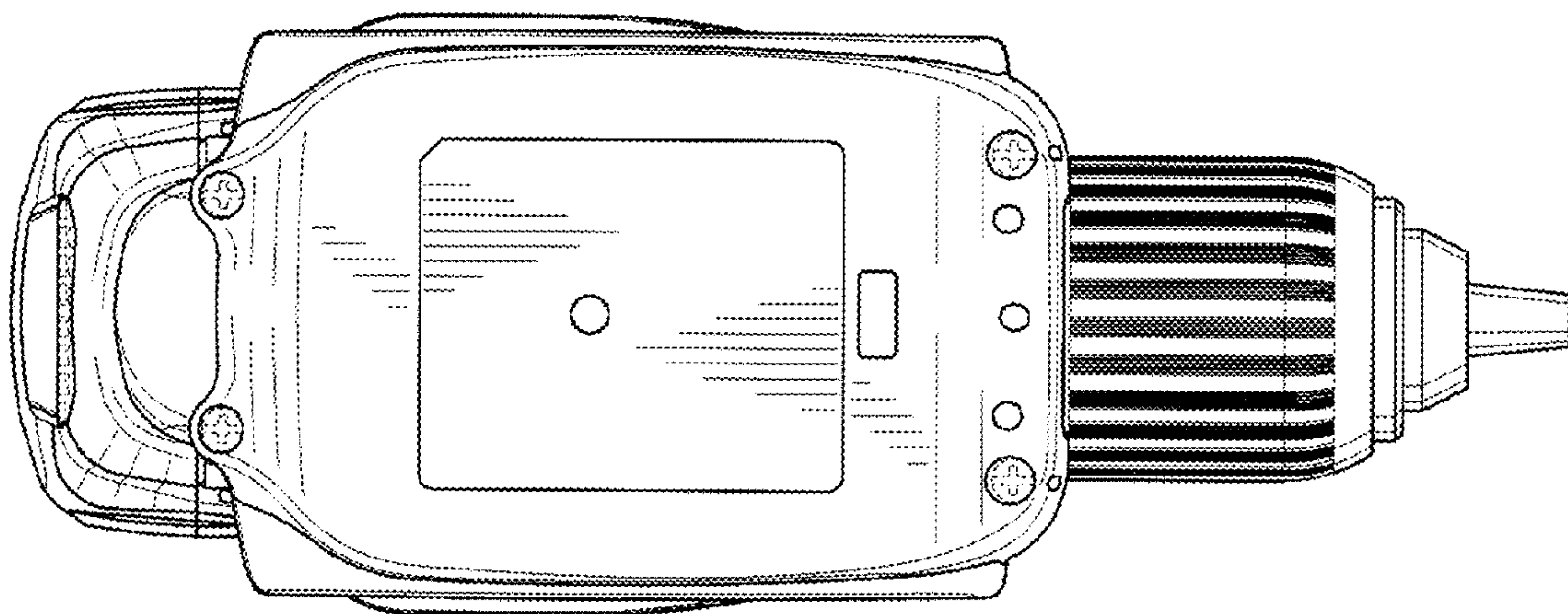


FIG. 7