



US00D644494S

(12) **United States Design Patent**
Lopano

(10) **Patent No.:** **US D644,494 S**

(45) **Date of Patent:** **** Sep. 6, 2011**

(54) **IMPACT DRIVER**

(75) Inventor: **Daniel N. Lopano**, Bel Air, MD (US)

(73) Assignee: **Black & Decker Inc.**, Newark, DE (US)

(**) Term: **14 Years**

(21) Appl. No.: **29/375,995**

(22) Filed: **Sep. 30, 2010**

(51) **LOC (9) Cl.** **08-04**

(52) **U.S. Cl.** **D8/68**

(58) **Field of Classification Search** D8/61-70;
81/57.11, 429, 454-456, 469, 489; 173/13,
173/46, 104, 114, 167-173, 178, 201, 211,
173/213, 214, 217, 198; 227/8, 113, 114,
227/120, 130, 136, 142; 310/50; 408/20,
408/35, 117, 124, 125, 234, 241 R, 58, 67;
451/358; 7/158, 165

See application file for complete search history.

(56) **References Cited**

U.S. PATENT DOCUMENTS

D436,511 S *	1/2001	Hayakawa et al.	D8/68
D510,007 S *	9/2005	Yamamoto	D8/68
D525,848 S *	8/2006	Kokawa	D8/68
D581,762 S *	12/2008	Aglassinger	D8/68
D589,317 S *	3/2009	Okuda	D8/68

D593,831 S *	6/2009	Van Wambeke et al.	D8/68
D599,639 S *	9/2009	Bradford et al.	D8/68
D605,014 S *	12/2009	Yamamoto	D8/68
D610,421 S *	2/2010	Taniguchi et al.	D8/68
D614,468 S *	4/2010	Aglassinger	D8/68
D615,379 S *	5/2010	Aglassinger	D8/68
D617,621 S *	6/2010	Houghton et al.	D8/68
D628,038 S *	11/2010	Aoki et al.	D8/68

* cited by examiner

Primary Examiner — Antoine D Davis

(74) *Attorney, Agent, or Firm* — Scott B. Markow

(57) **CLAIM**

The ornamental design for an impact driver, as shown and described.

DESCRIPTION

FIG. 1 is a front/left perspective view of the impact driver.

FIG. 2 is a rear/left perspective view thereof.

FIG. 3 is a front view thereof.

FIG. 4 is a rear view thereof.

FIG. 5 is a right view thereof.

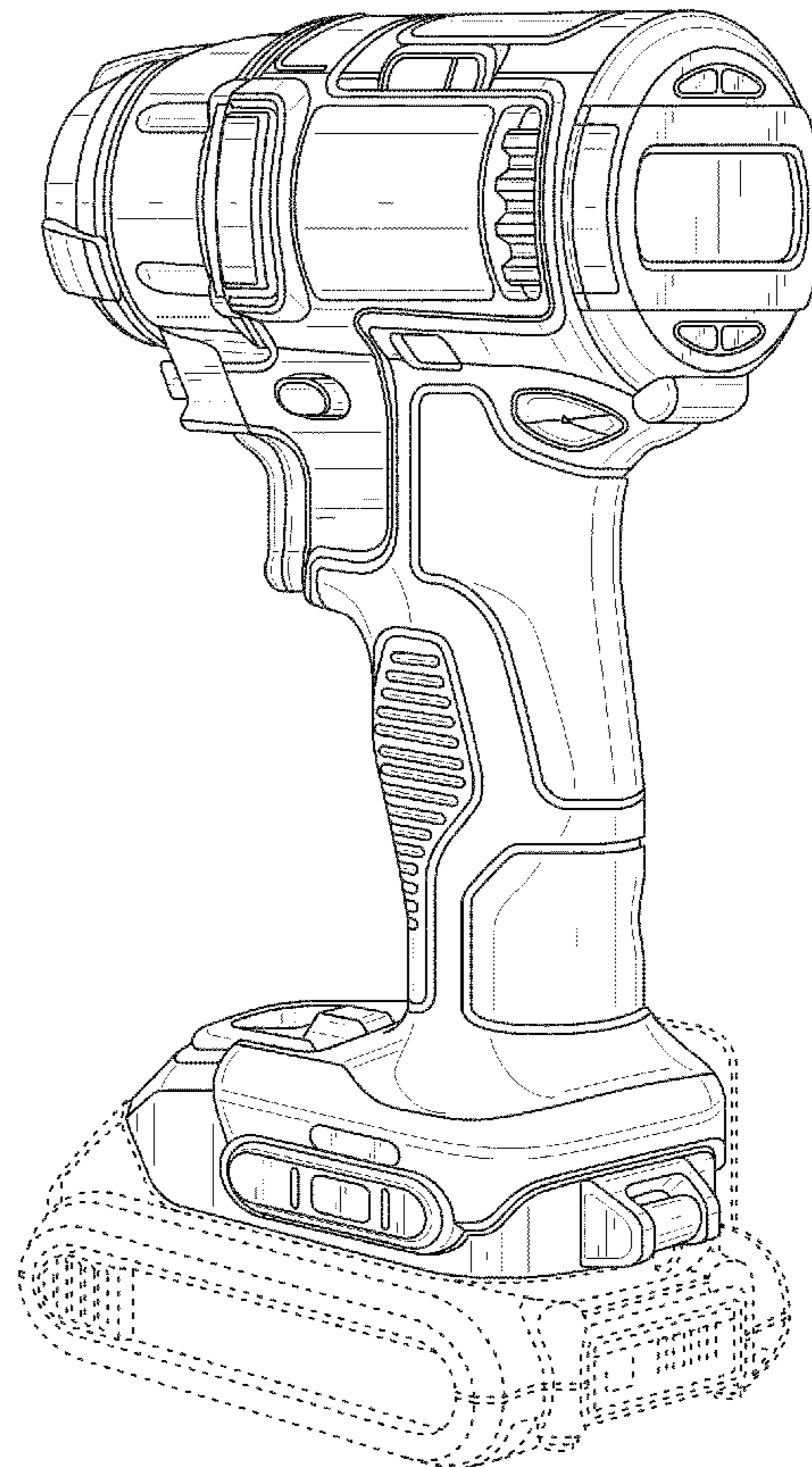
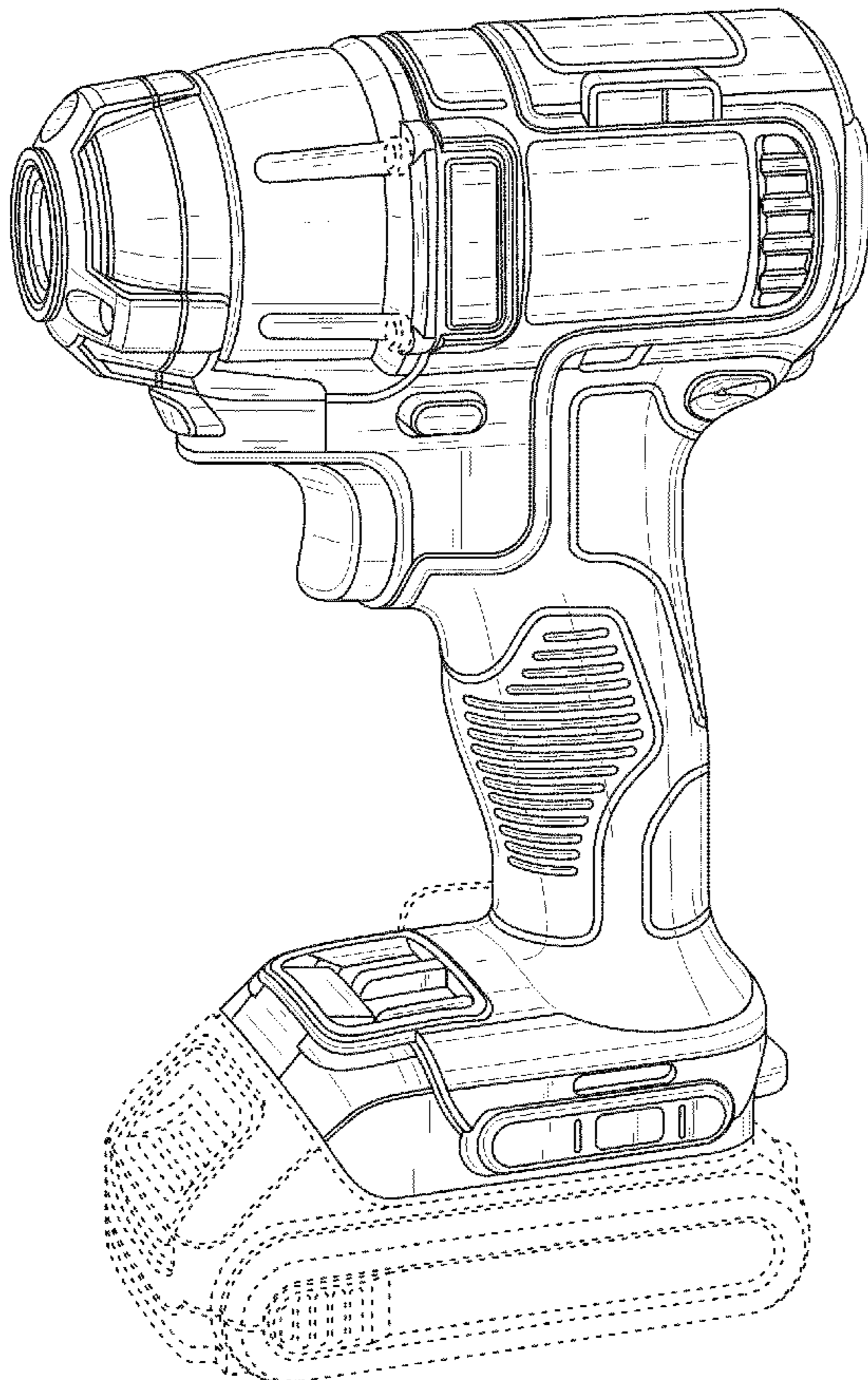
FIG. 6 is a left view thereof.

FIG. 7 is a top view thereof; and,

FIG. 8 is a bottom view thereof.

The portions of the drawings in broken lines form no part of the claimed design.

1 Claim, 8 Drawing Sheets



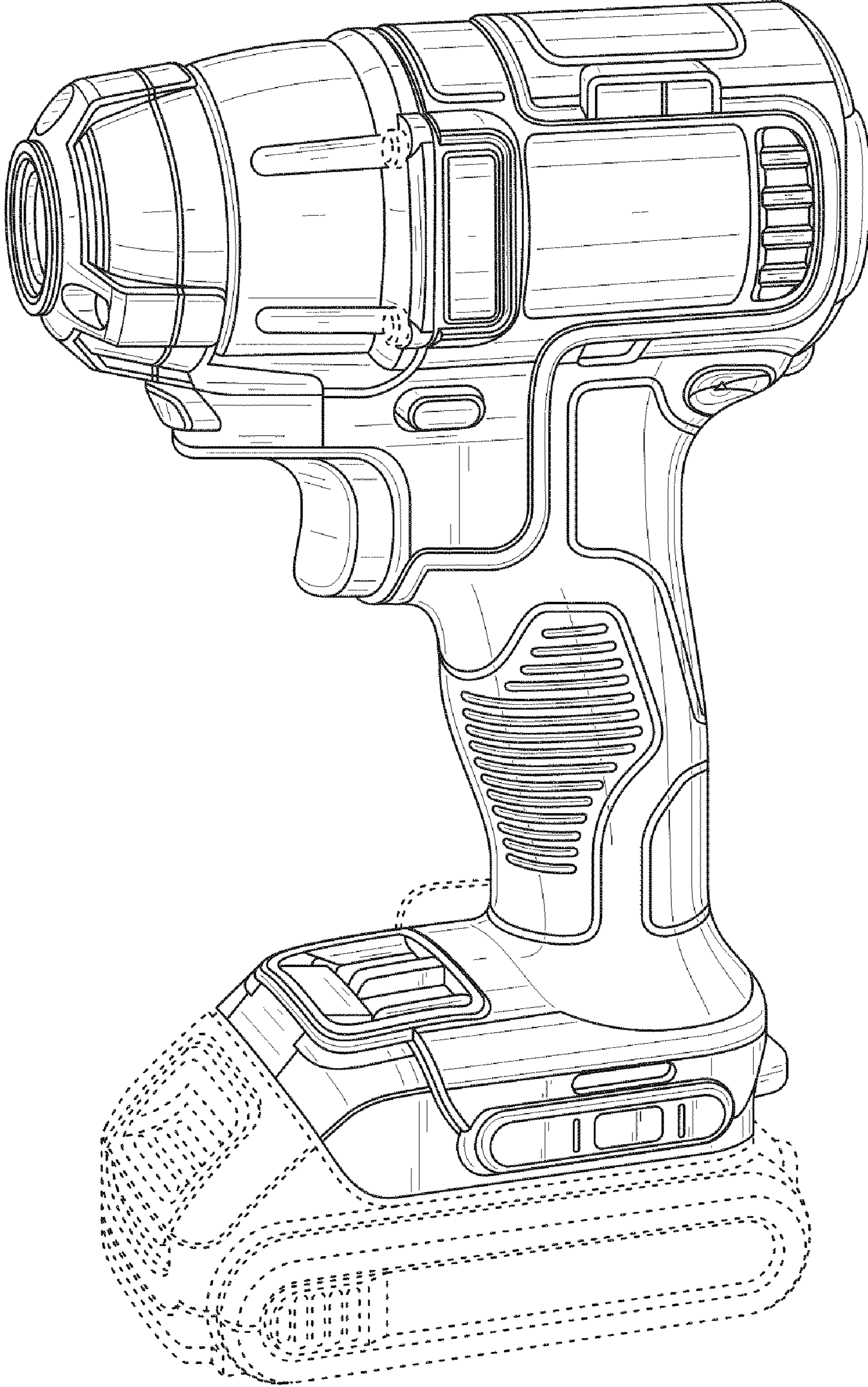


FIG. 1

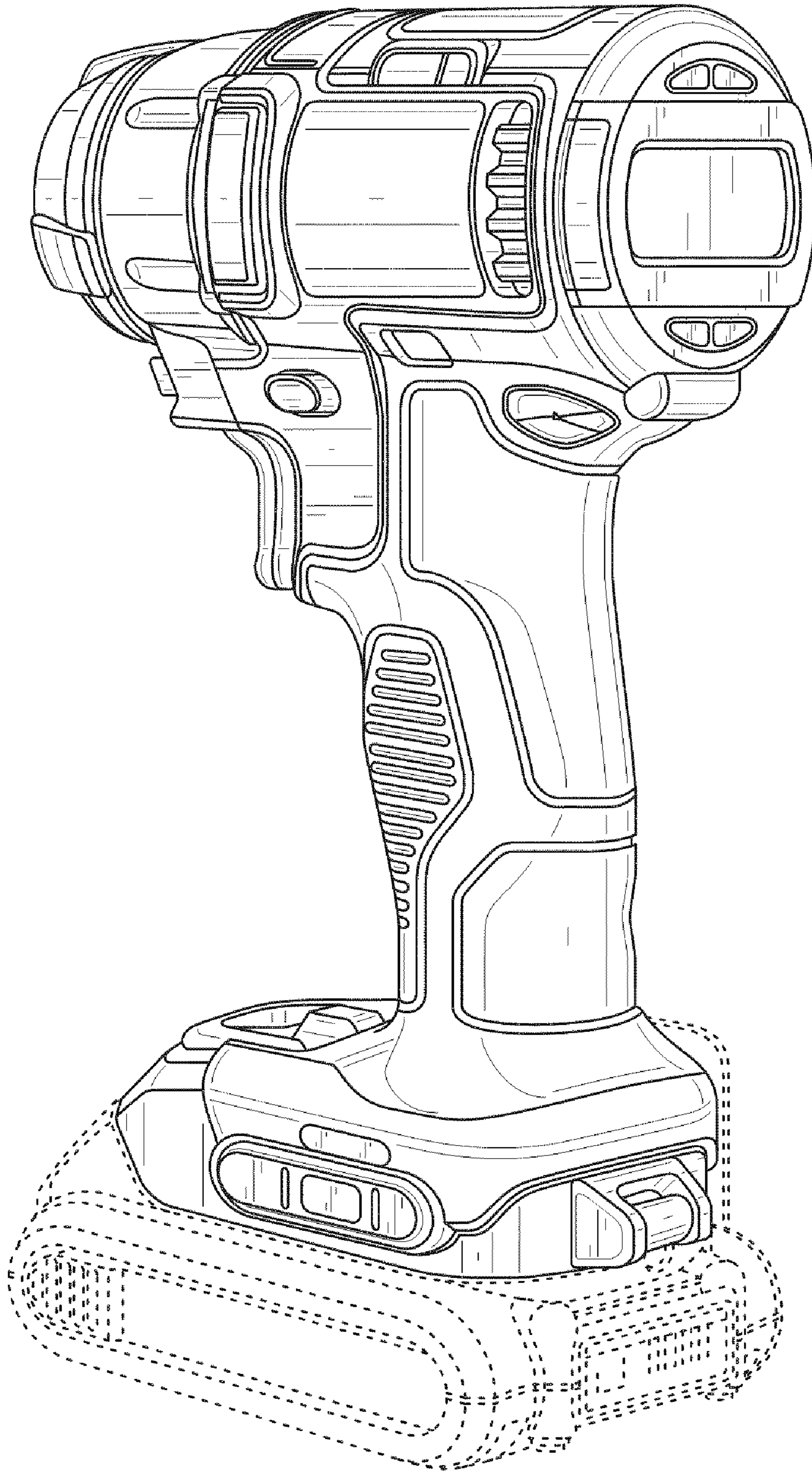


FIG. 2

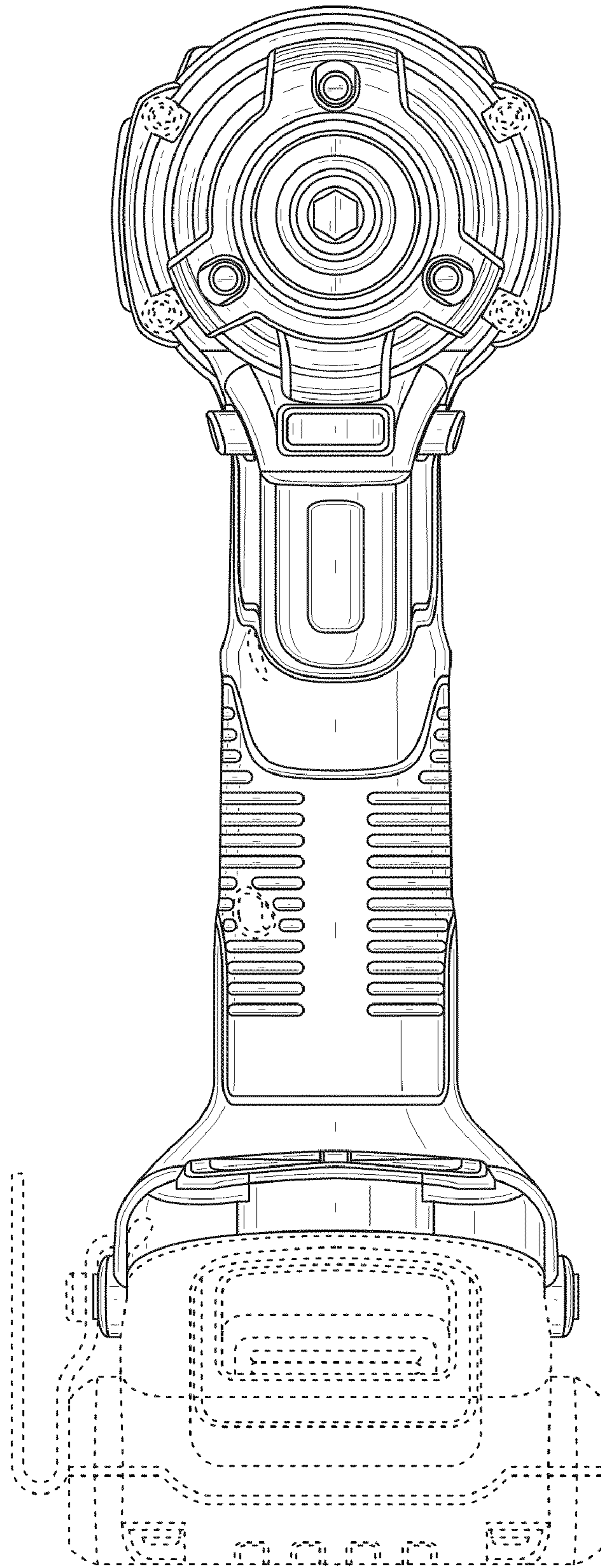


FIG. 3

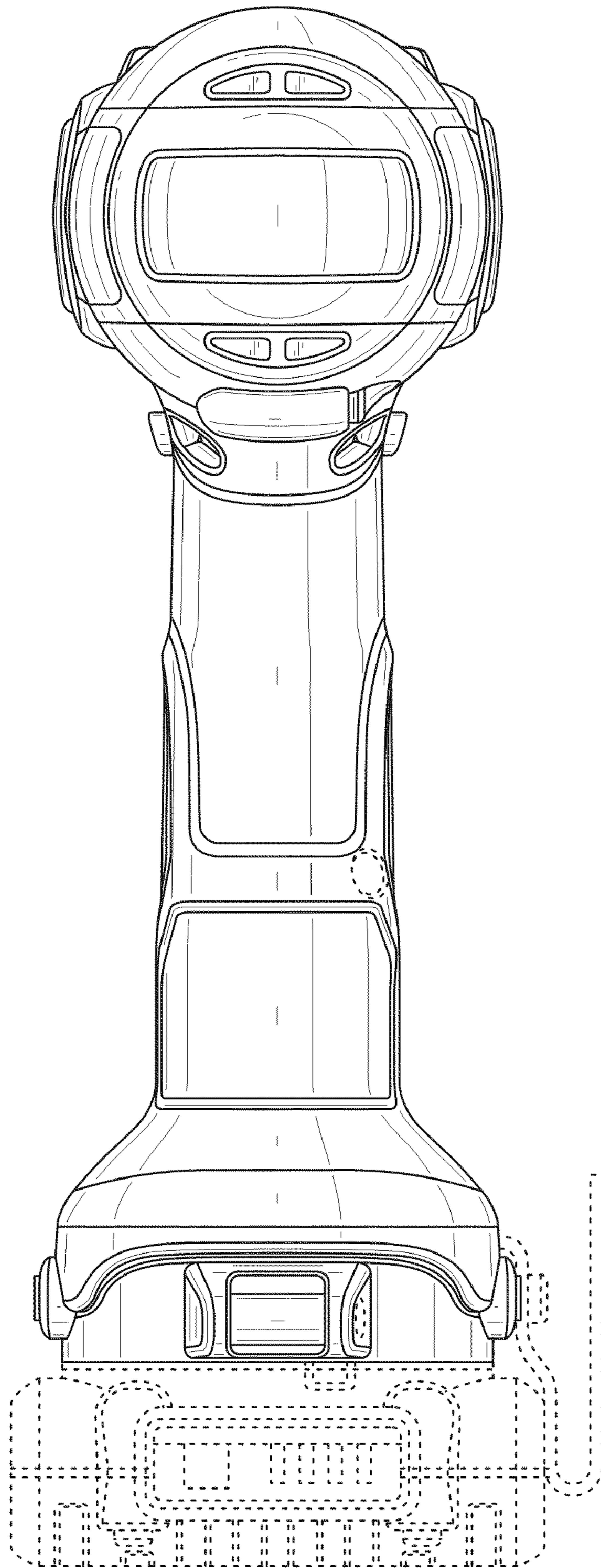


FIG. 4

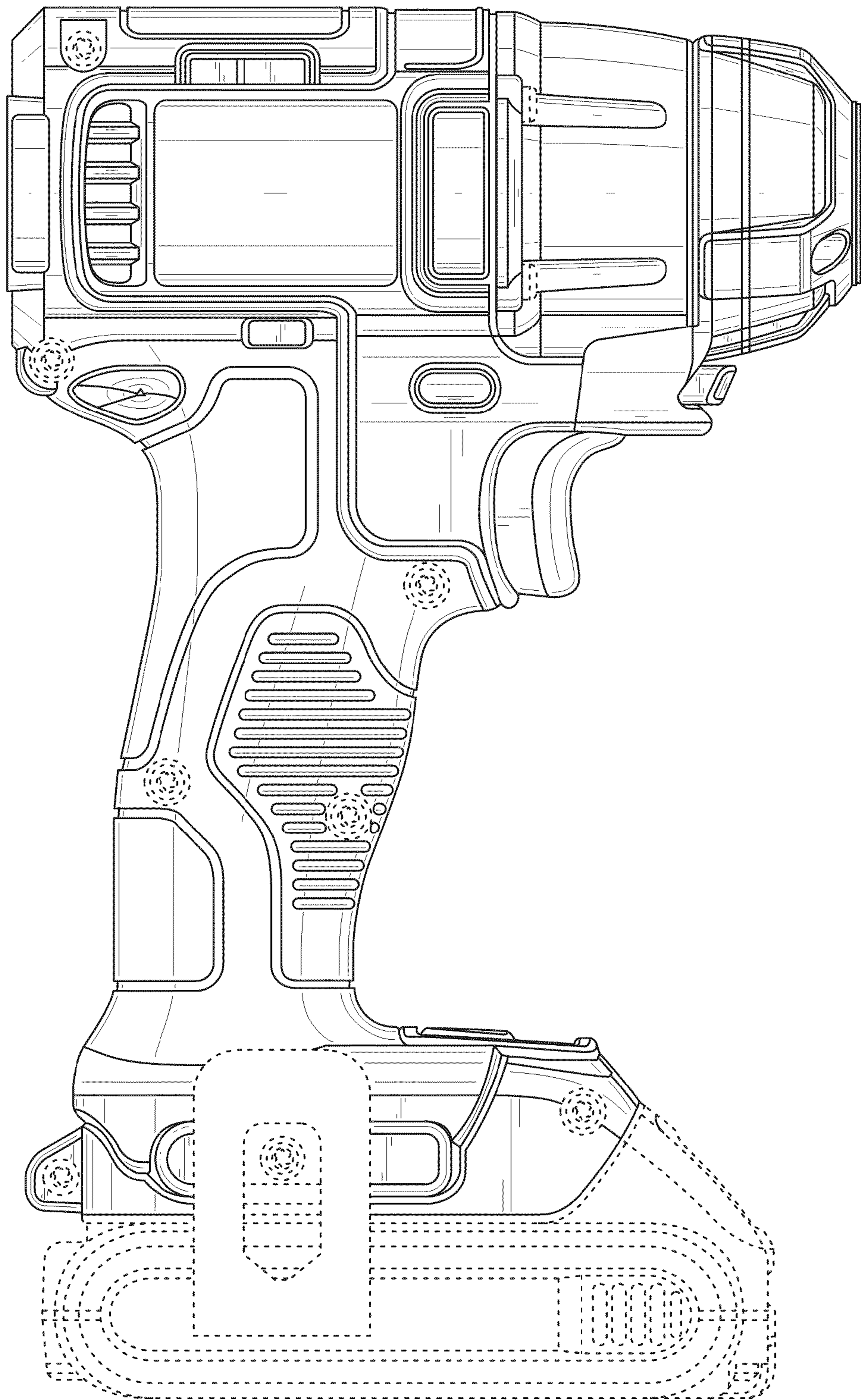


FIG. 5

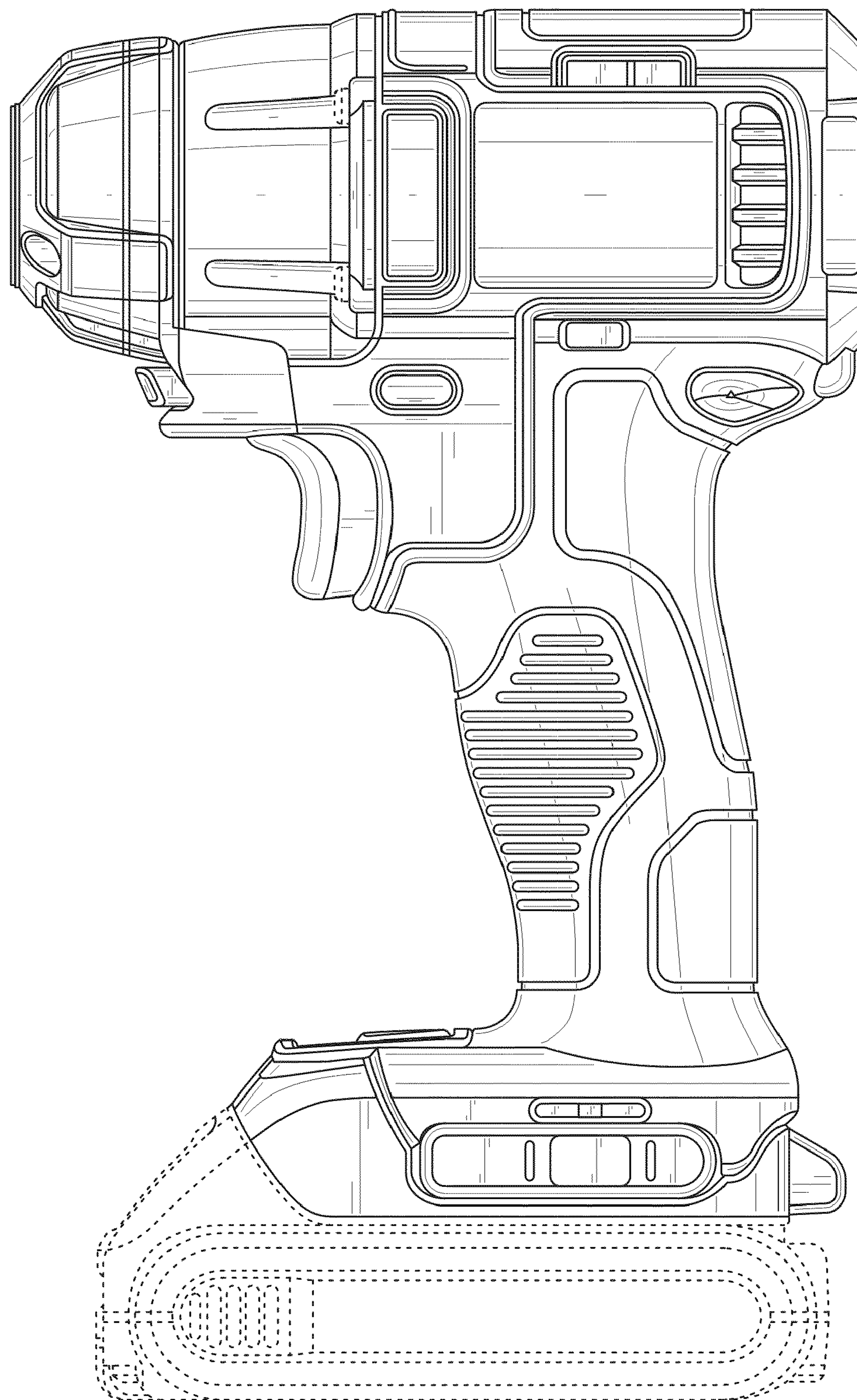


FIG. 6

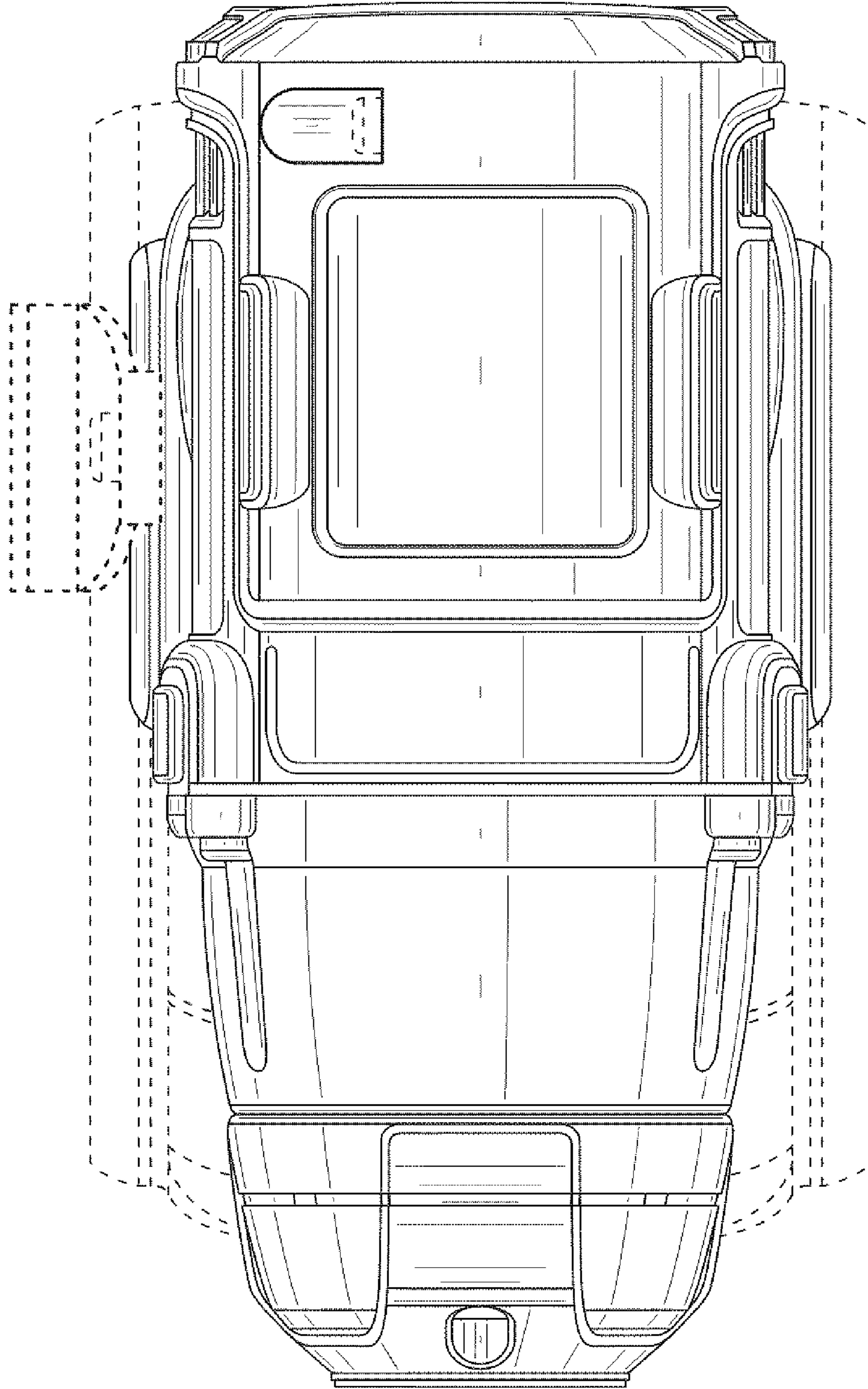


FIG. 7

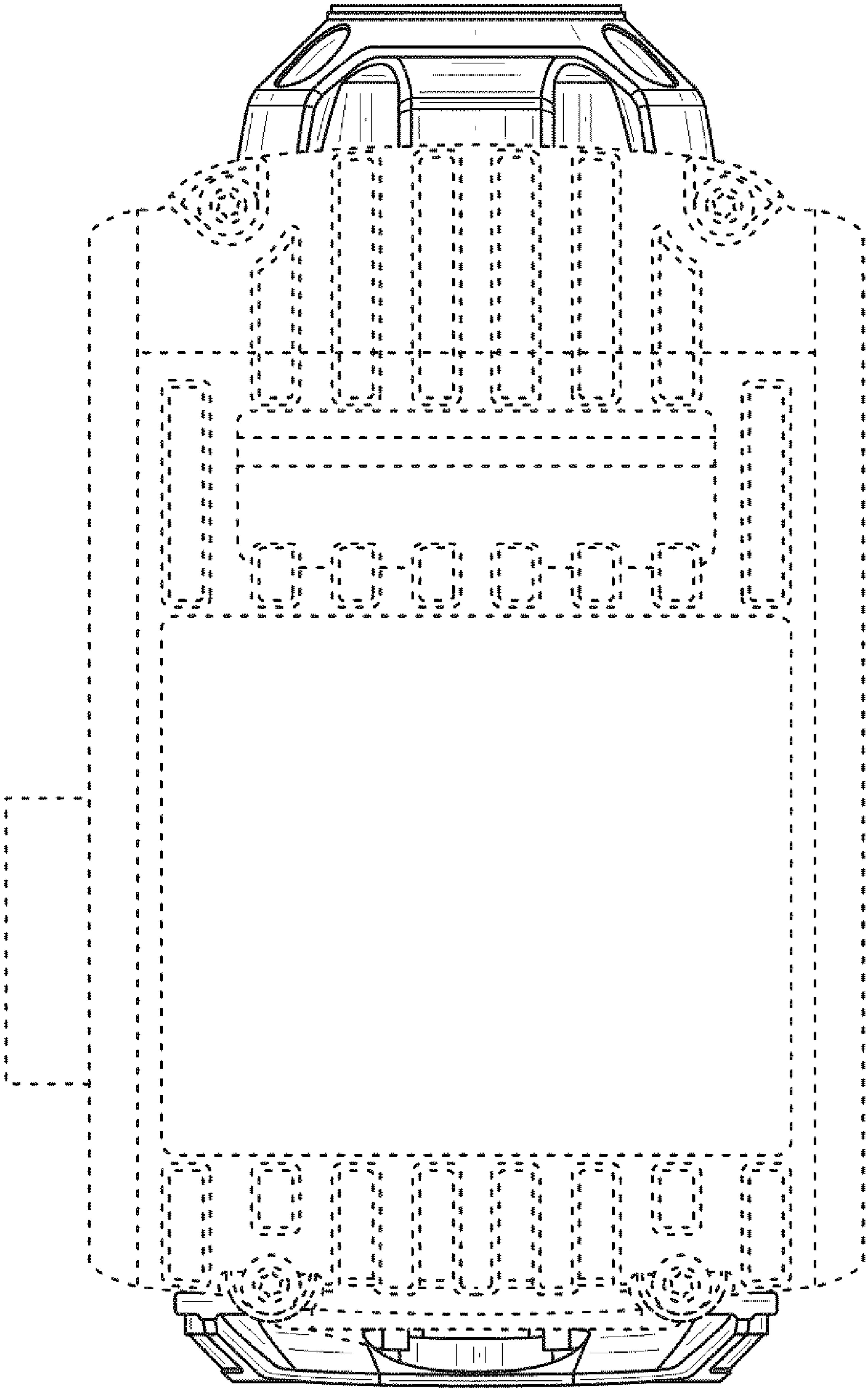


FIG. 8