



US00D644492S

(12) **United States Design Patent**
Ehrenhaus et al.

(10) **Patent No.:** **US D644,492 S**

(45) **Date of Patent:** **** Sep. 6, 2011**

(54) **TOMATO SAVER**

(75) Inventors: **Richard Ehrenhaus**, New York, NY
(US); **Kate Hixon**, Monterey, MA (US)

(73) Assignee: **Hutzler Manufacturing Co., Inc.**,
Canaan, CT (US)

(**) Term: **14 Years**

(21) Appl. No.: **29/366,542**

(22) Filed: **Jul. 27, 2010**

(51) **LOC (9) Cl.** **07-01**

(52) **U.S. Cl.** **D7/628**

(58) **Field of Classification Search** D7/538,
D7/539, 542, 518, 521, 576, 601, 602, 604,
D7/628, 629; 215/379, 381-385; 220/62.11,
220/62.13, 62.14, 660, 669, 675

See application file for complete search history.

(56) **References Cited**

U.S. PATENT DOCUMENTS

2,038,915	A *	4/1936	Unger	222/78
D103,032	S *	2/1937	Buma	D7/502
D132,918	S *	6/1942	Temple	D9/646
D152,676	S *	2/1949	Marsa	D7/613
2,948,305	A *	8/1960	Savides	141/112
D240,847	S *	8/1976	Anthony	D11/151
D273,652	S *	5/1984	Lederman et al.	D7/540
D292,094	S *	9/1987	Yoshiharu	D14/143
D299,992	S *	2/1989	Michel	D7/539
D334,865	S *	4/1993	Munch	D7/354
D418,022	S *	12/1999	Hansen	D7/606
D420,915	S *	2/2000	Reidenbach	D9/451
D506,351	S *	6/2005	Scholze et al.	D7/360
D538,114	S *	3/2007	Kolano	D7/628

D562,082	S *	2/2008	Ehrenhaus et al.	D7/628
D564,061	S *	3/2008	Studer et al.	D22/122
D565,145	S *	3/2008	Studer et al.	D22/122
D582,158	S *	12/2008	Nathanson	D3/271.1
D604,110	S *	11/2009	Braidotti	D7/628
D604,117	S *	11/2009	Braidotti	D7/628
D605,471	S *	12/2009	Ehrenhaus et al.	D7/628
D611,776	S *	3/2010	Yung	D7/628
D631,870	S *	2/2011	Nikiforov et al.	D14/218

* cited by examiner

Primary Examiner — Stella Reid

Assistant Examiner — Elizabeth J Oswecki

(74) *Attorney, Agent, or Firm* — Michael J. Striker

(57) **CLAIM**

The ornamental design for a tomato saver, as shown and described.

DESCRIPTION

FIG. 1 is a ¾, top, right side and bottom perspective view of a tomato saver showing our new design;

FIG. 2 is a front view thereof;

FIG. 3 is a rear side view thereof;

FIG. 4 is a right side view thereof;

FIG. 5 is a left side view thereof;

FIG. 6 is a top plan view thereof;

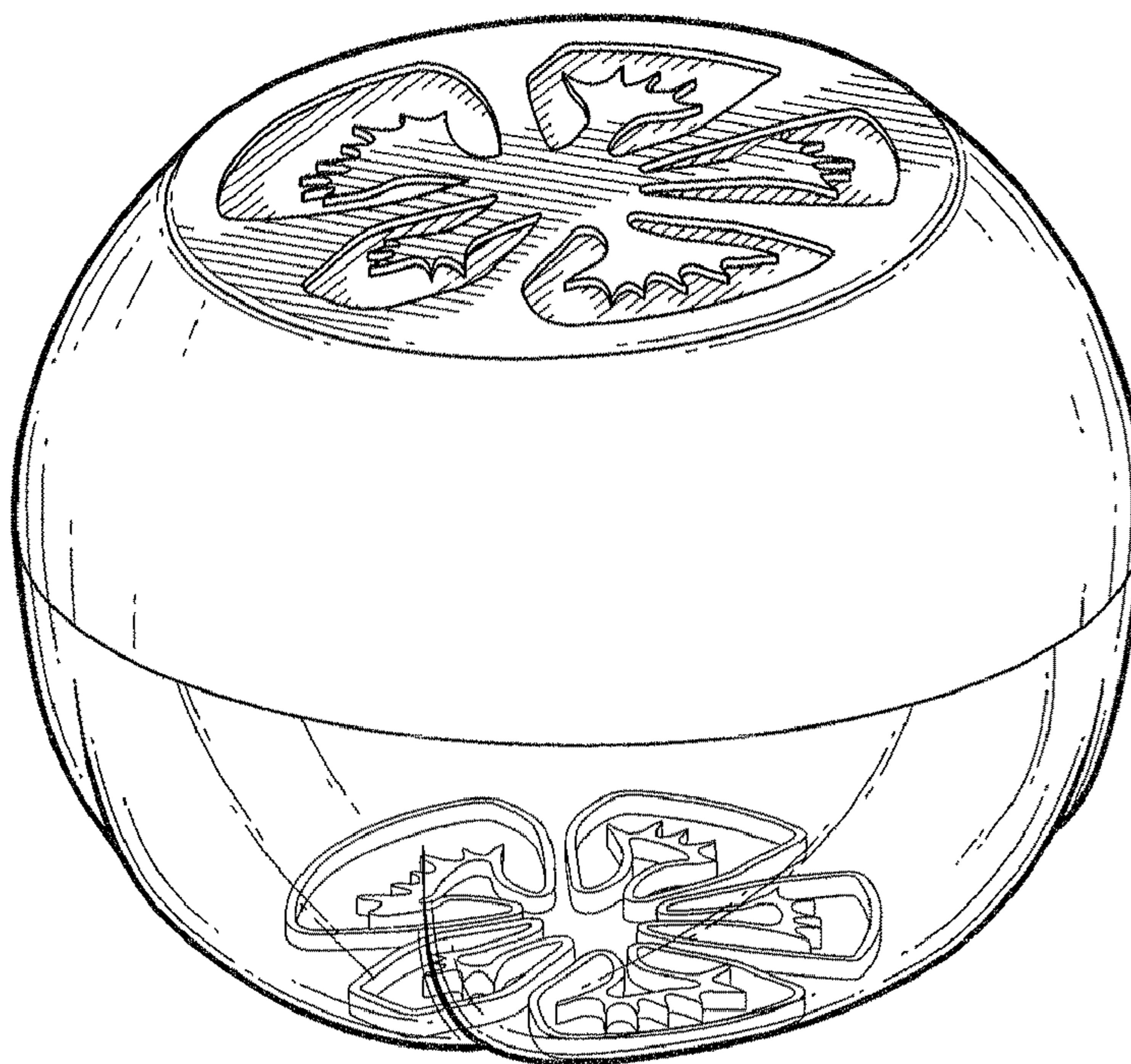
FIG. 7 is a perspective view of the interior of the base of the tomato saver shown separately from the top;

FIG. 8 is a top plan view of the interior of the base of the tomato saver shown separately from the top;

FIG. 9 is a bottom plan view thereof; and,

FIG. 10 is a bottom perspective view thereof.

1 Claim, 7 Drawing Sheets



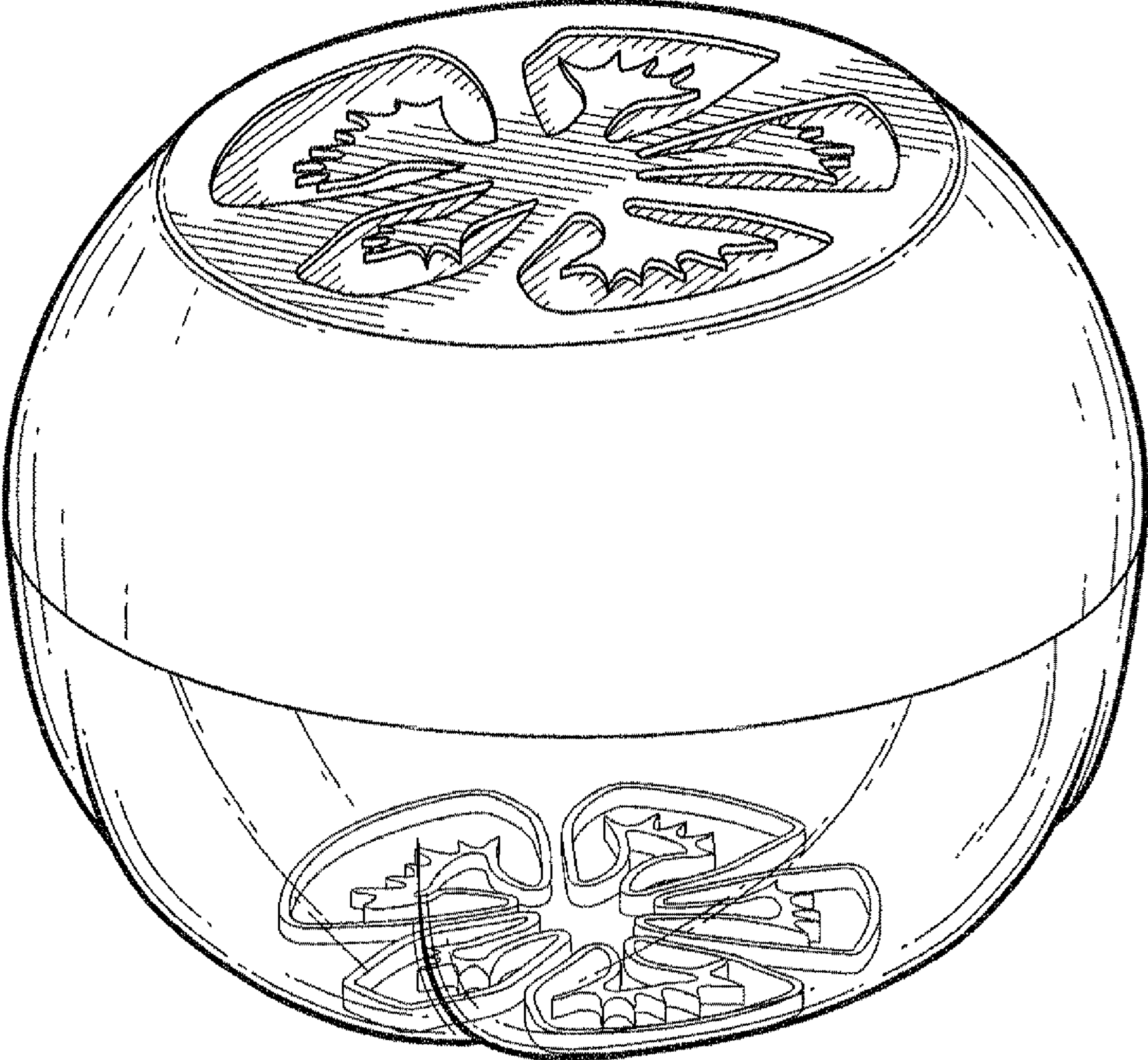


FIG. 1

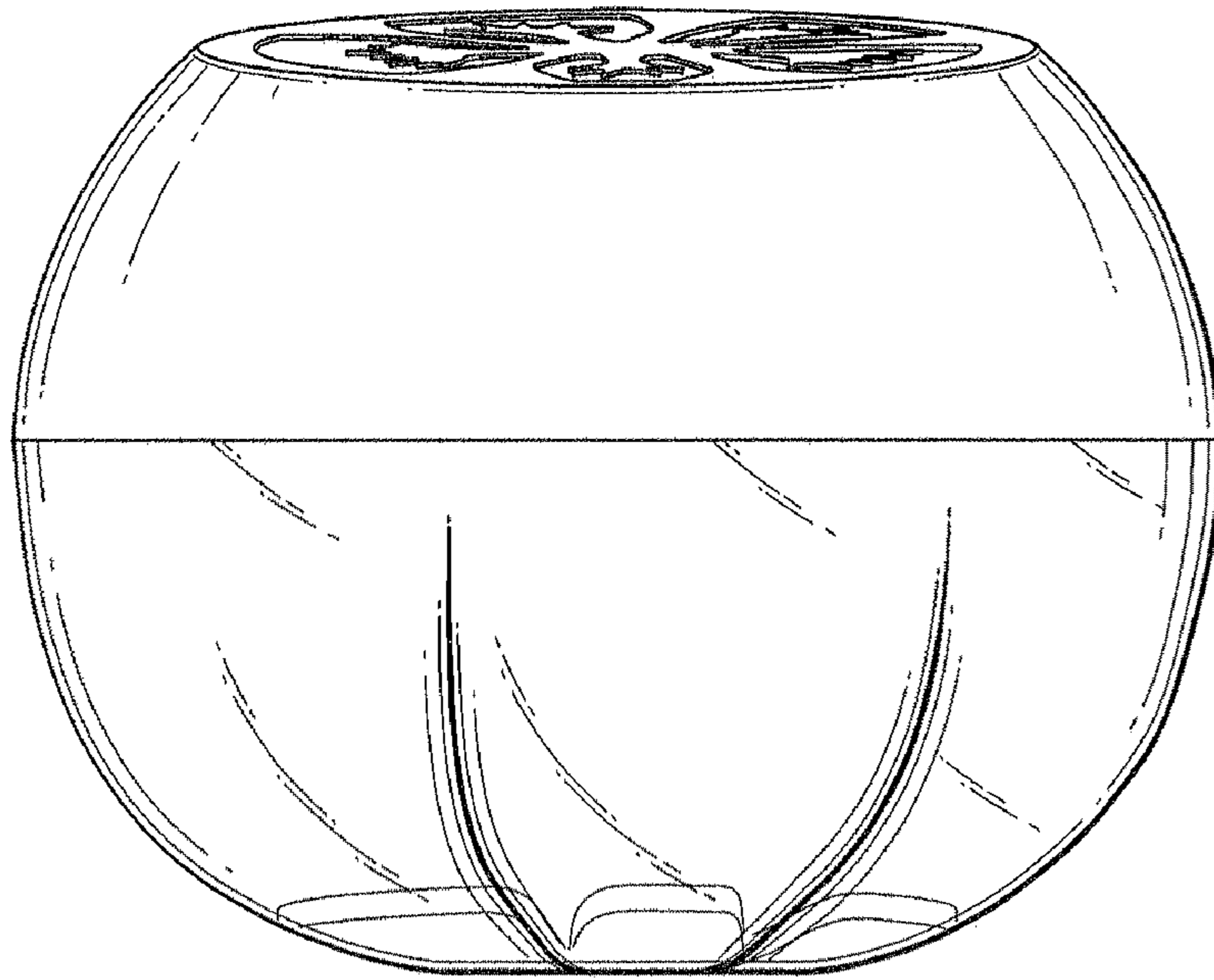


FIG. 2

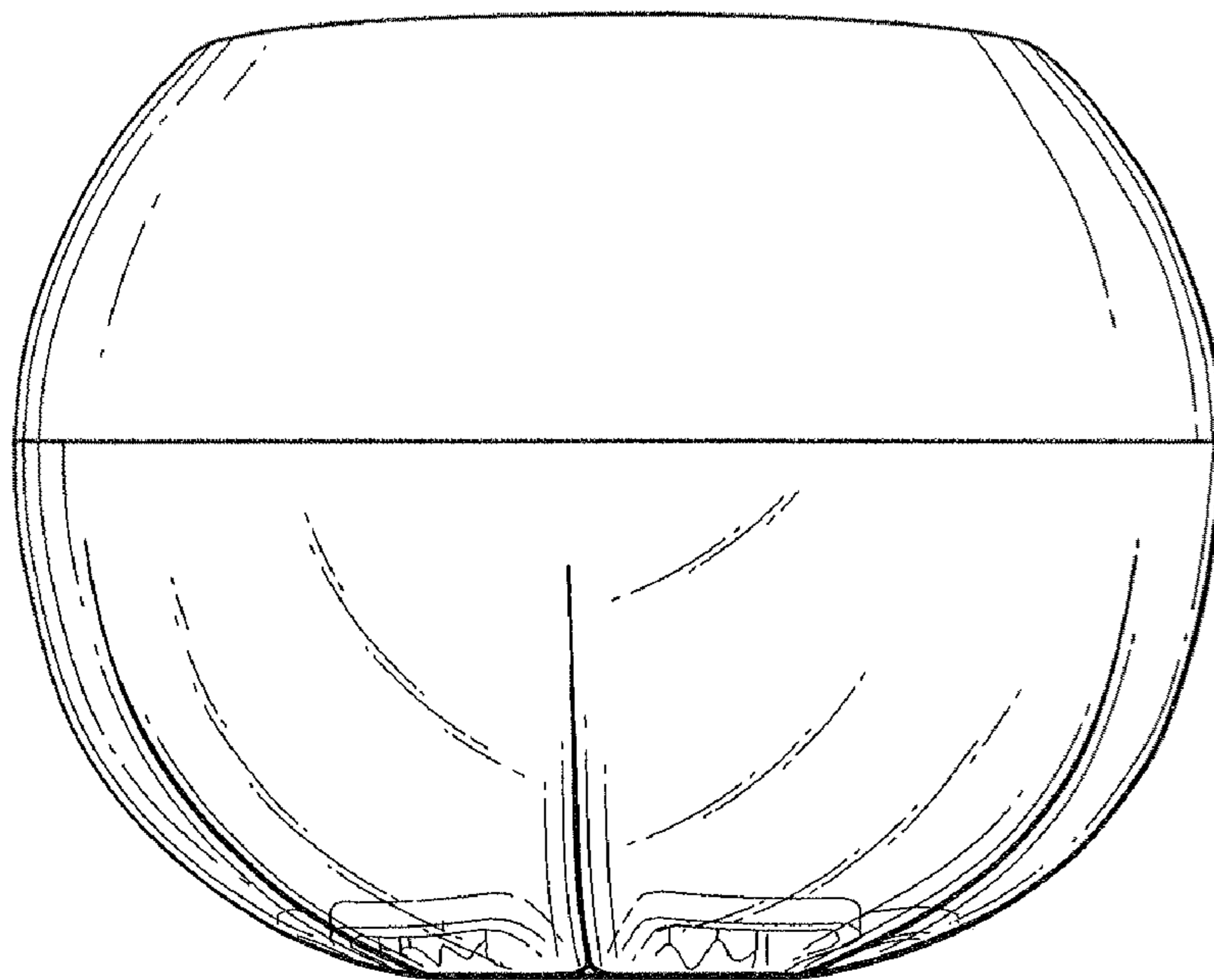


FIG. 3

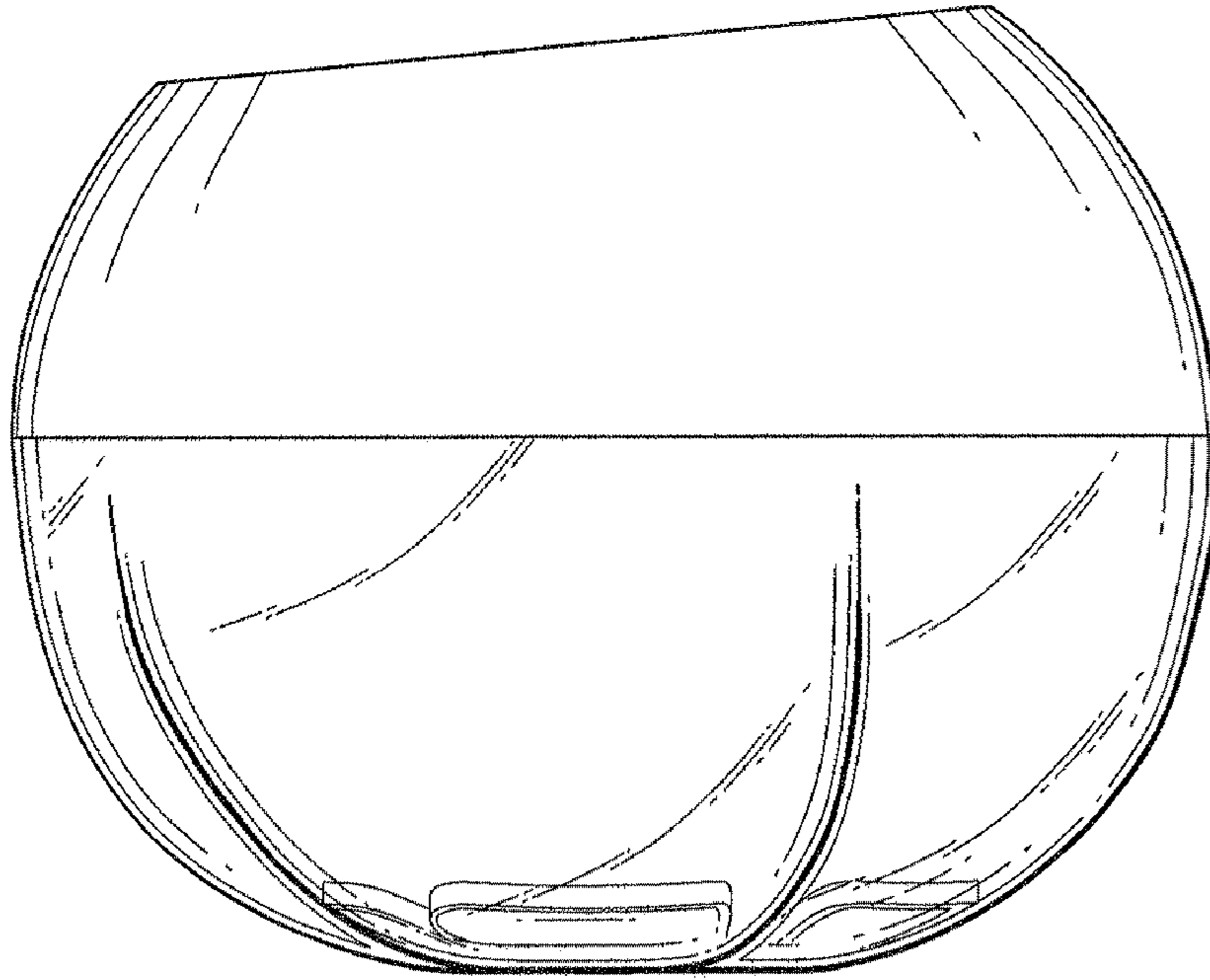


FIG. 4

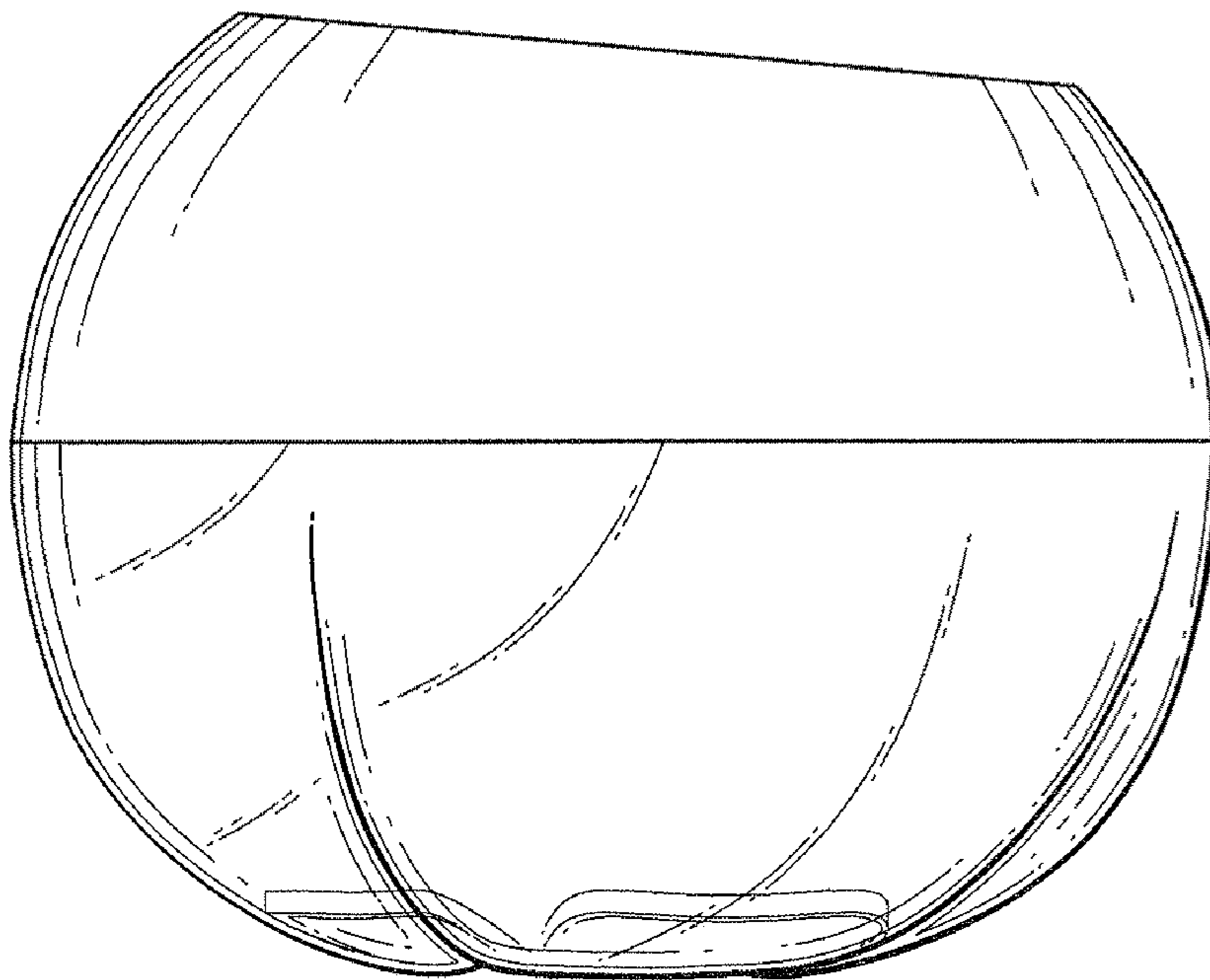


FIG. 5

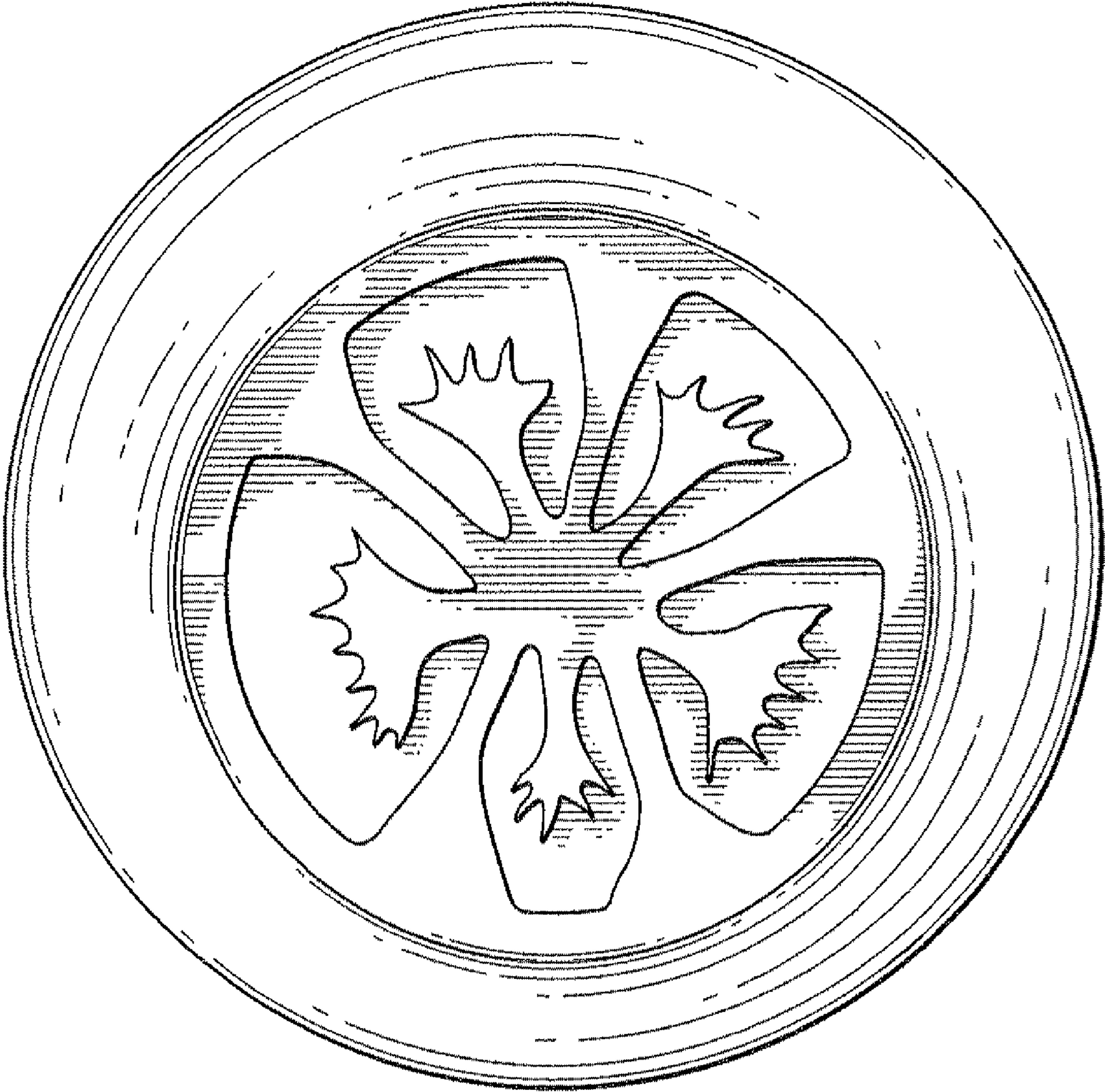


FIG. 6

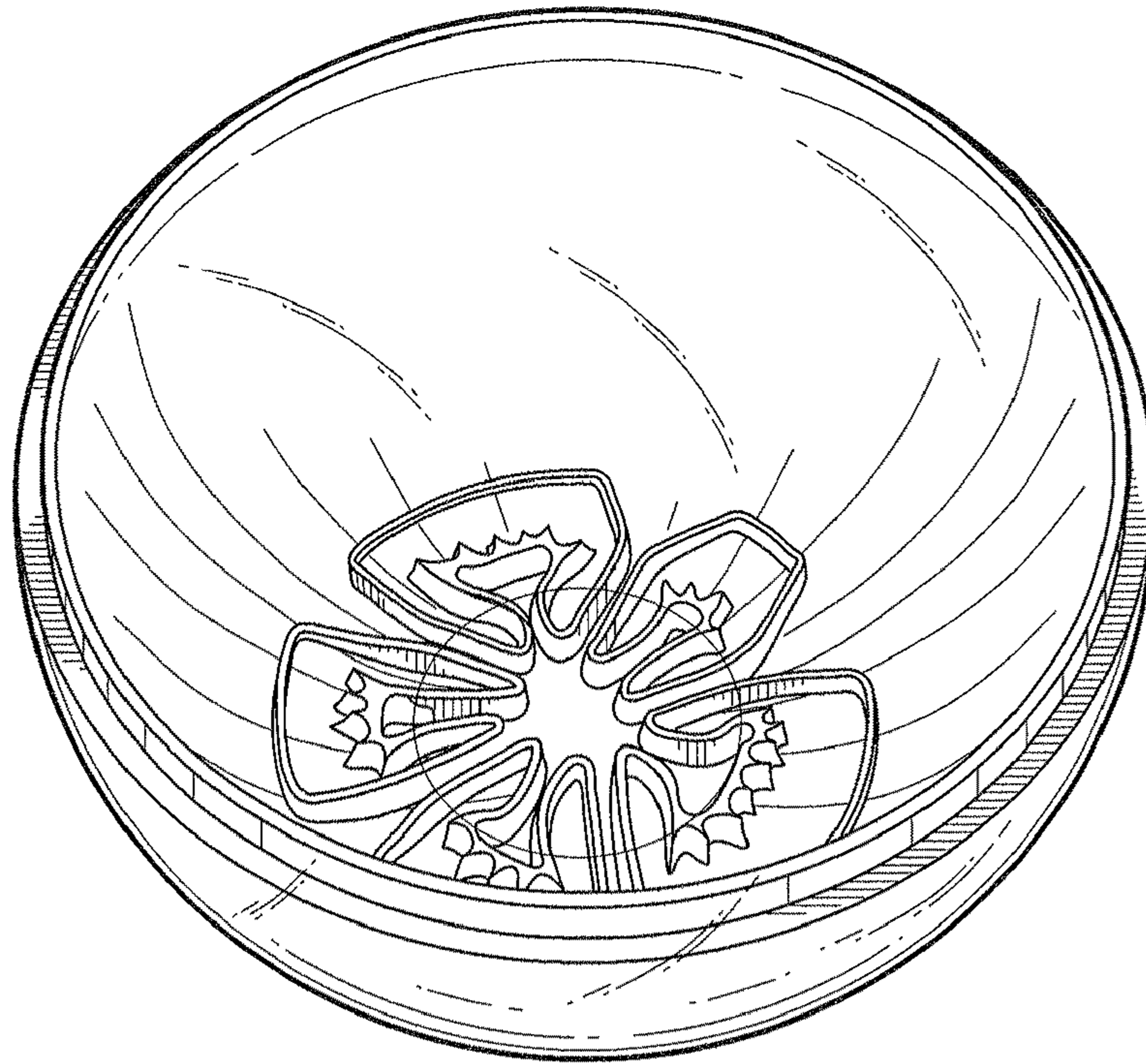


FIG. 7

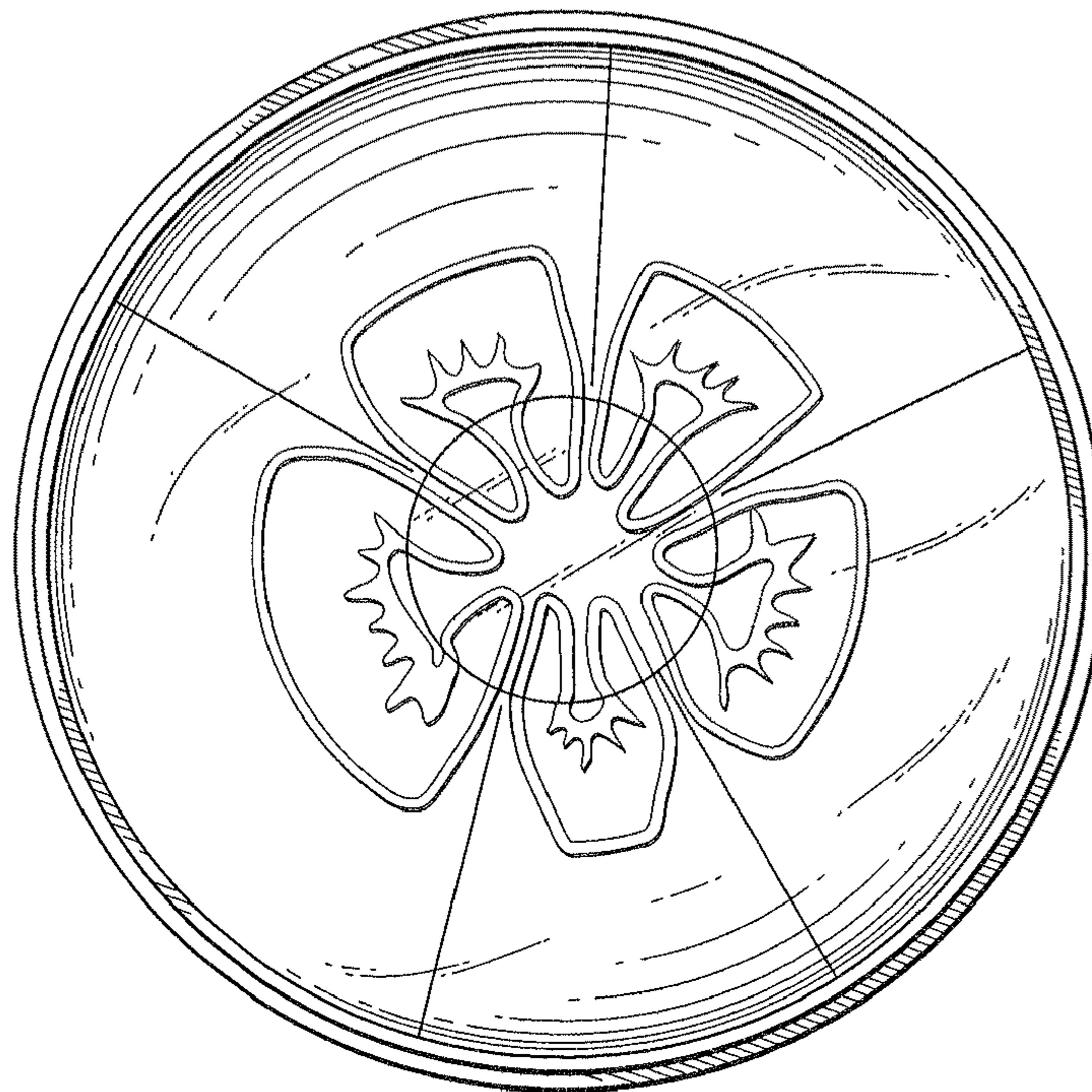


FIG. 8

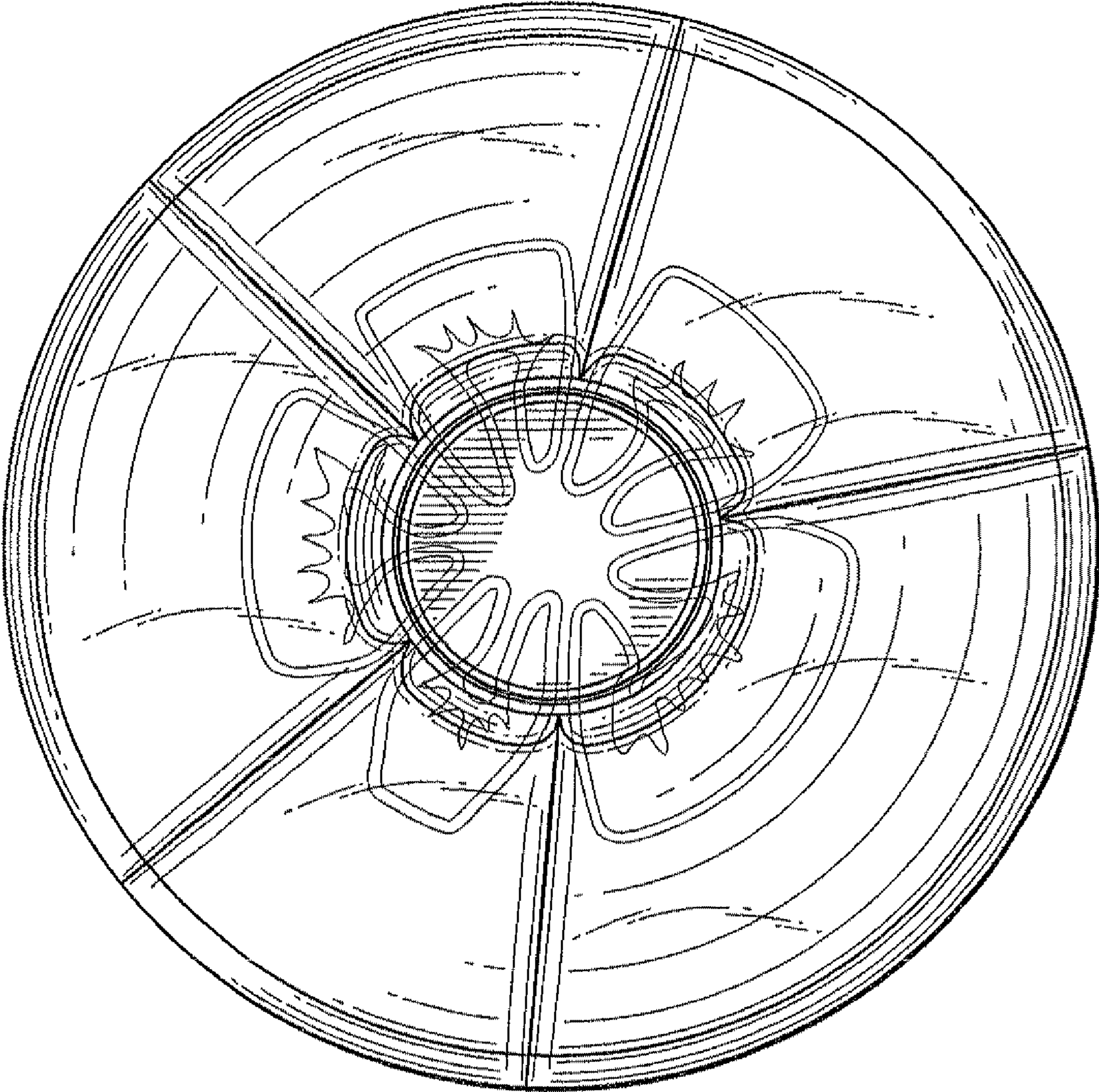


FIG.9

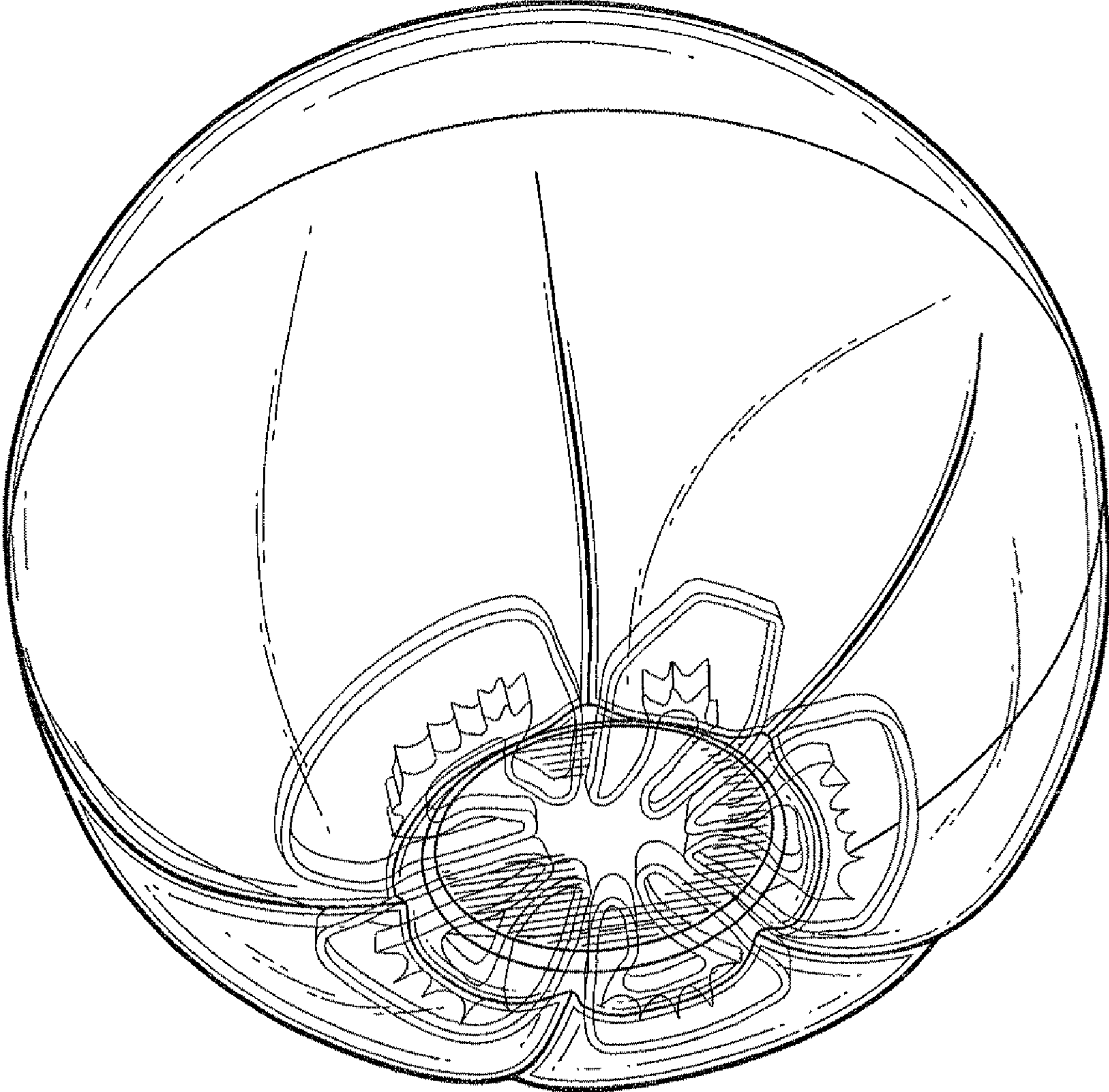


FIG. 10