



US00D644491S

(12) **United States Design Patent**  
**Snider**

(10) **Patent No.:** **US D644,491 S**

(45) **Date of Patent:** **\*\* Sep. 6, 2011**

(54) **COFFEE POD DRAWER**

(75) Inventor: **Martin Snider**, New City, NY (US)

(73) Assignee: **MSA Products, Inc.**, Nyack, NY (US)

(\*\*) Term: **14 Years**

(21) Appl. No.: **29/384,780**

(22) Filed: **Feb. 3, 2011**

(51) **LOC (9) Cl.** ..... **07-06**

(52) **U.S. Cl.** ..... **D7/600.1**

(58) **Field of Classification Search** ..... D7/600.1-600.4,  
D7/590, 701-708; D6/510, 512, 574, 465,  
D6/462, 432, 436, 573, 458; 211/181.1,  
211/126.15, 126.11; 220/485; D3/306; 312/334.1,  
312/330.1, 323, 334.27, 408, 410, 334.44  
See application file for complete search history.

(56) **References Cited**

**U.S. PATENT DOCUMENTS**

921,694	A *	5/1909	Hail	.....	211/126.11
D433,711	S *	11/2000	Andujar	.....	D19/78
D472,735	S *	4/2003	Haugen	.....	D6/462
D493,308	S *	7/2004	Nilsson et al.	.....	D6/510
6,840,593	B2 *	1/2005	Remmers	.....	312/330.1
D525,488	S *	7/2006	McWhorter	.....	D7/590

D547,094	S *	7/2007	Klein et al.	.....	D6/462
D628,444	S	12/2010	Snider		
D628,445	S	12/2010	Snider		
2005/0205578	A1 *	9/2005	Yeh	.....	220/485

\* cited by examiner

*Primary Examiner* — Terry A Wallace

(74) *Attorney, Agent, or Firm* — Gerald E. Hespos; Michael J. Porco

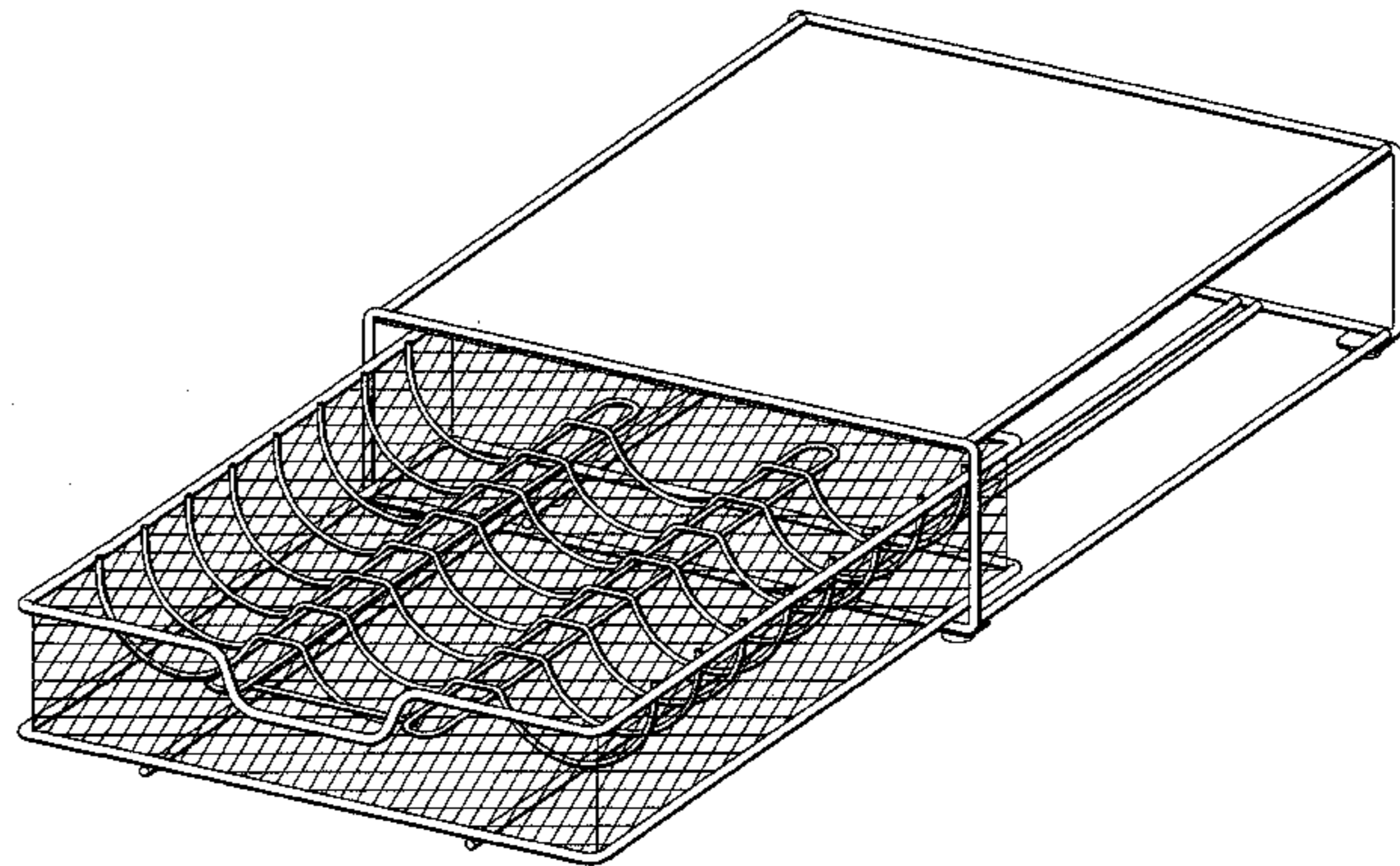
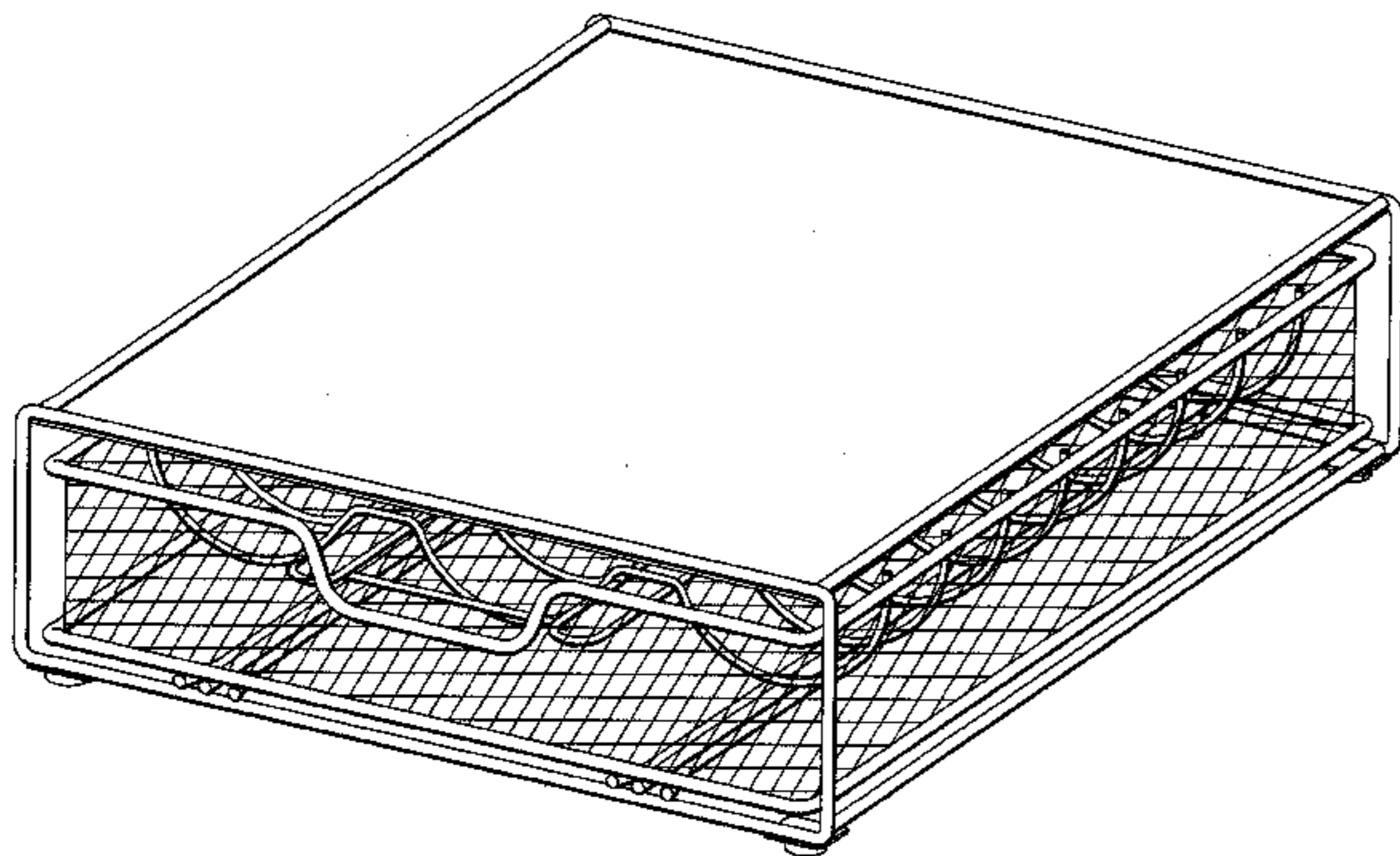
(57) **CLAIM**

The ornamental design of a coffee pod drawer, as shown and described.

**DESCRIPTION**

FIG. 1 is a perspective view of a coffee pod drawer in accordance with my design.  
FIG. 2 is a perspective view of the coffee pod drawer of FIG. 1 with the drawer in an extended position;  
FIG. 3 is a top plan view thereof;  
FIG. 4 is a front elevational view thereof;  
FIG. 5 is a back elevational view thereof;  
FIG. 6 is a side elevational view thereof as view from the left side of FIG. 1, with the right side elevational view being a mirror image thereof; and,  
FIG. 7 is a bottom plan view thereof.

**1 Claim, 6 Drawing Sheets**



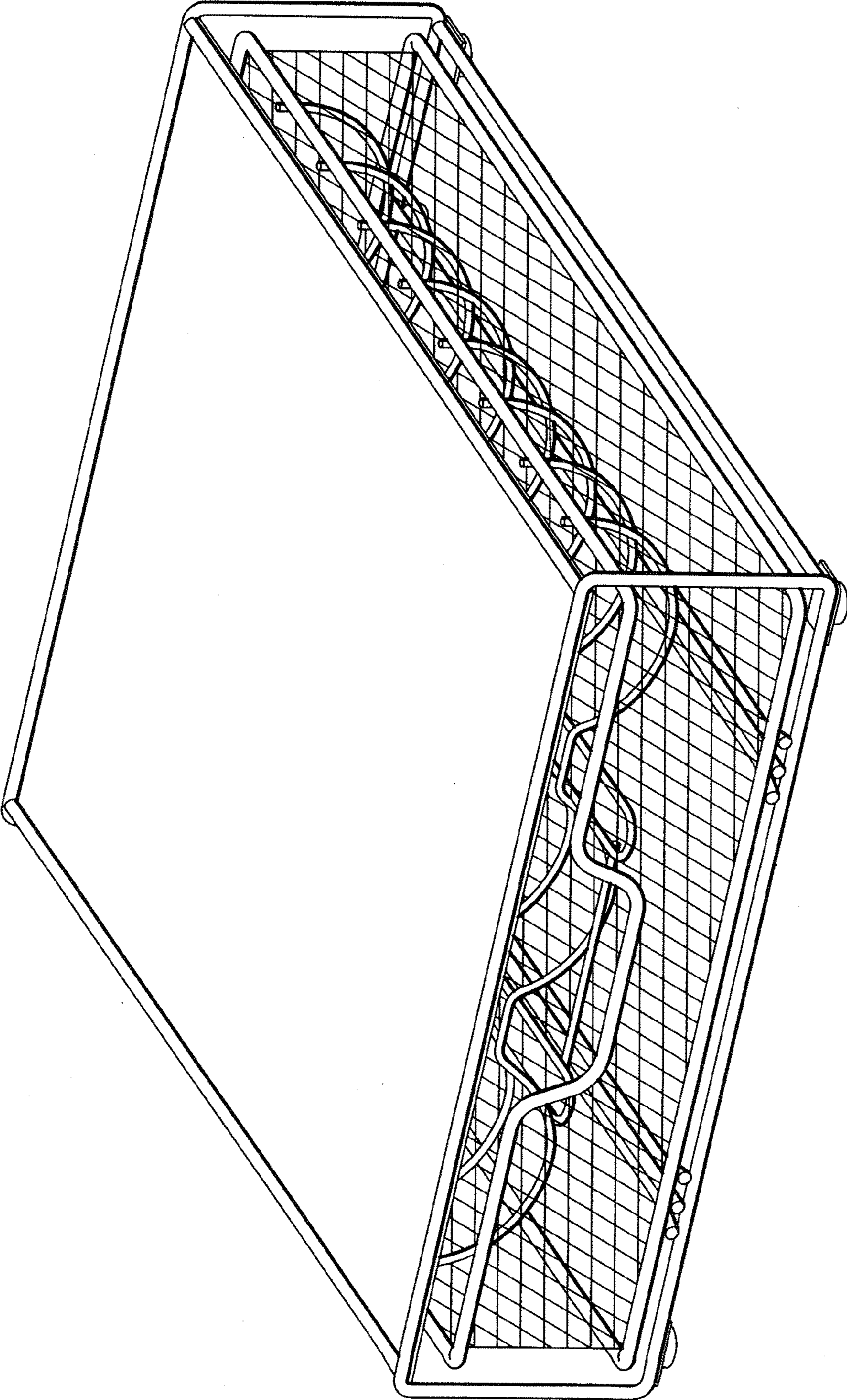


FIG.1



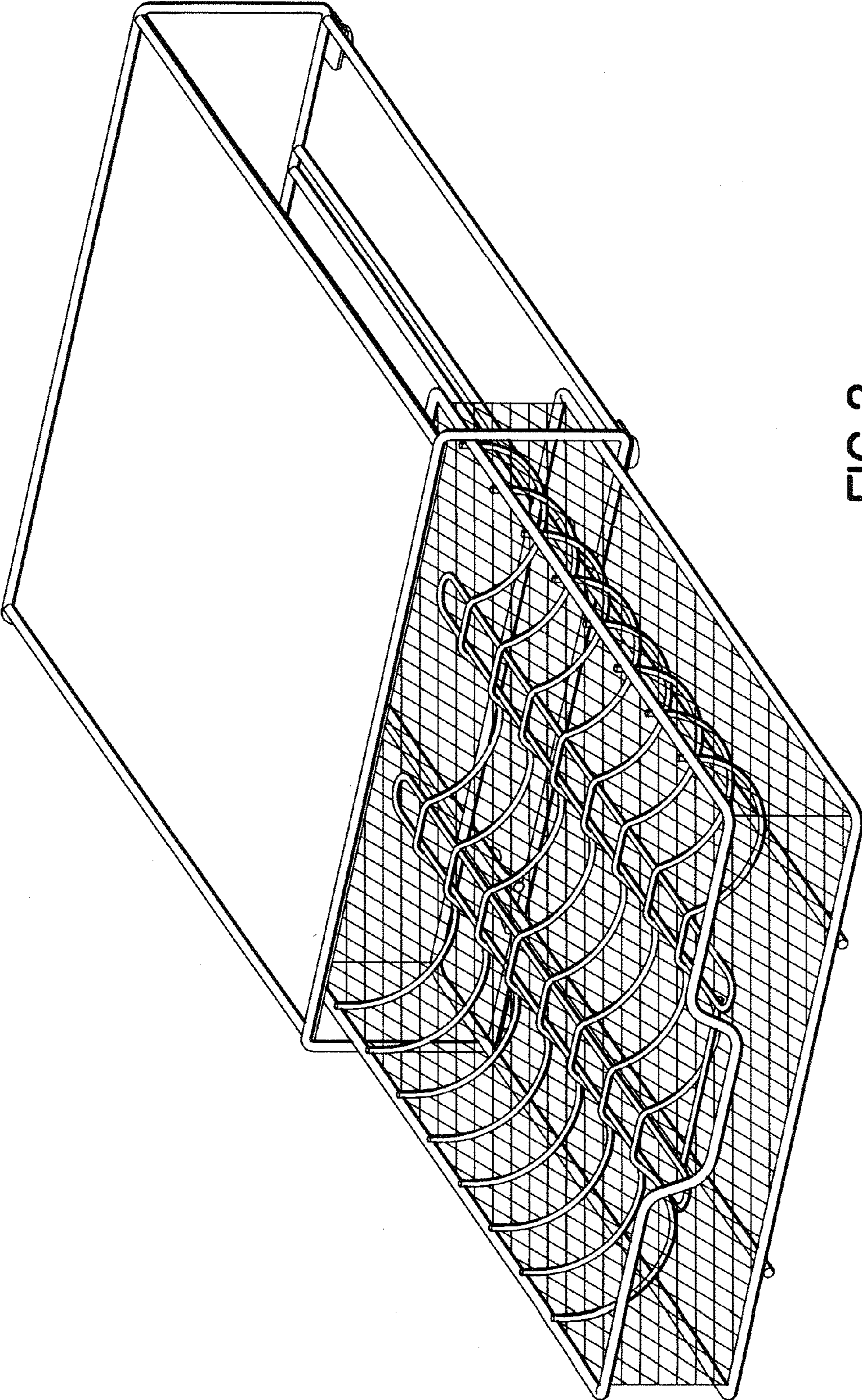


FIG.2

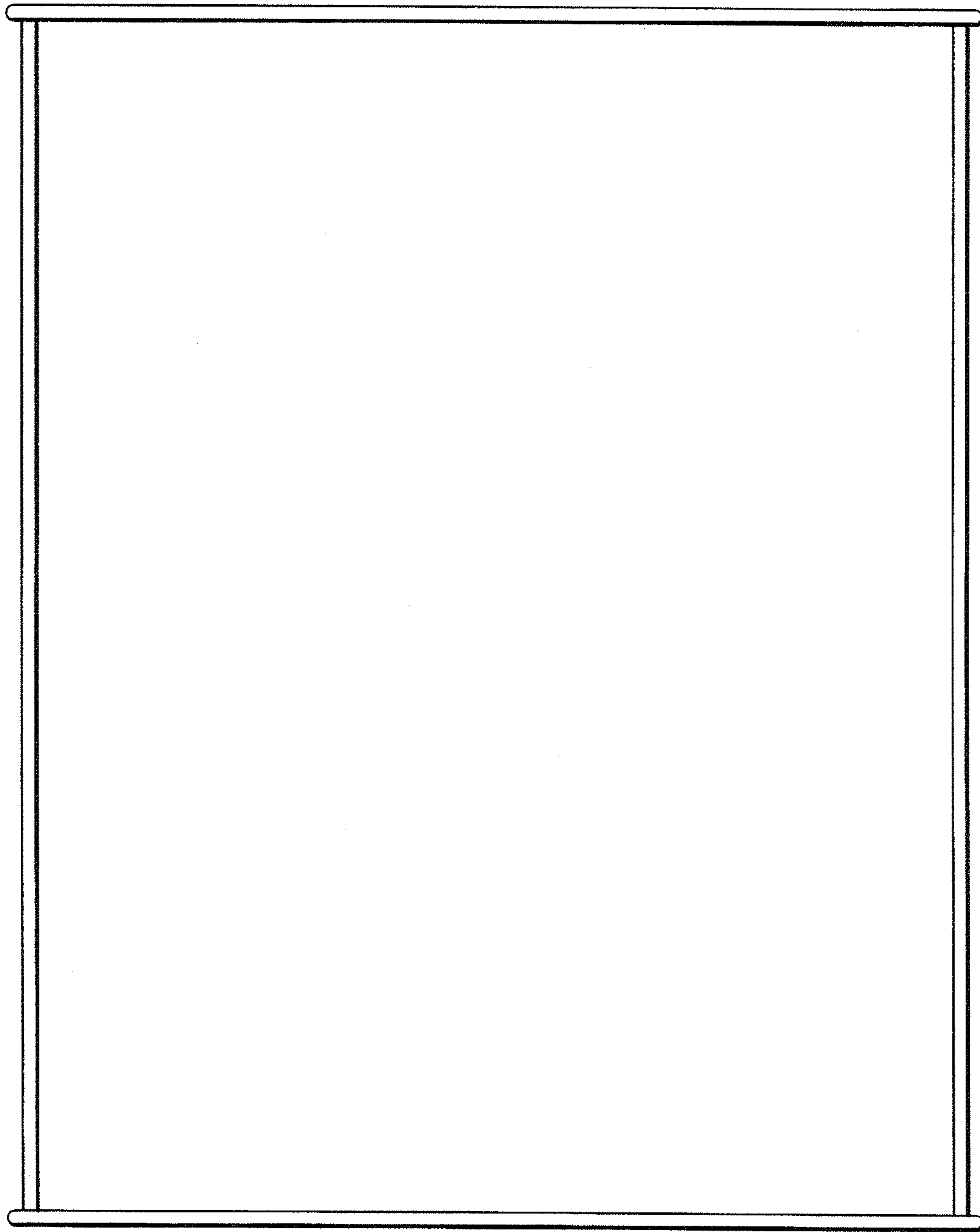


FIG.3

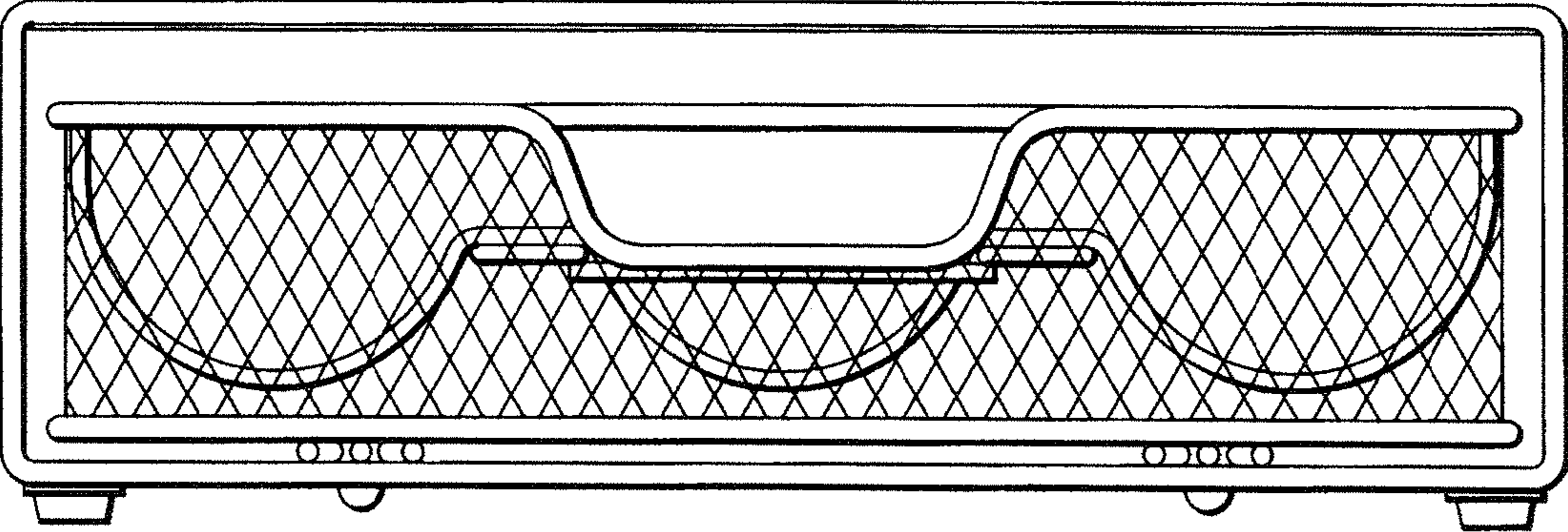


FIG. 4

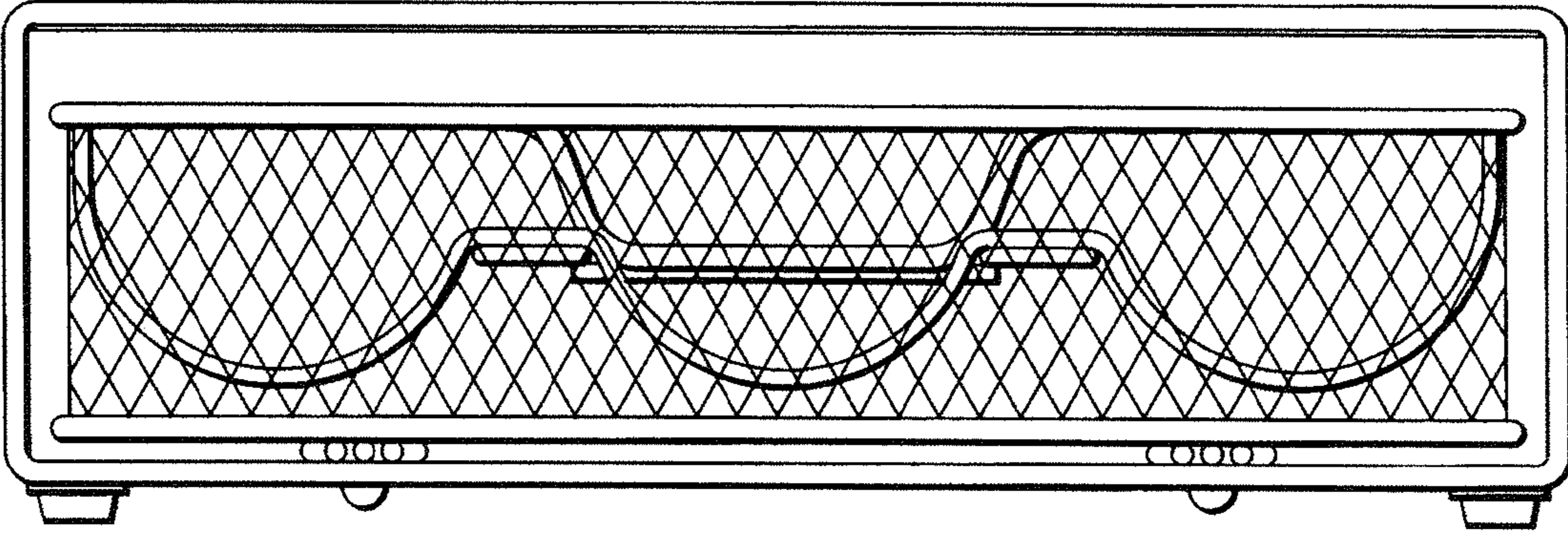


FIG. 5



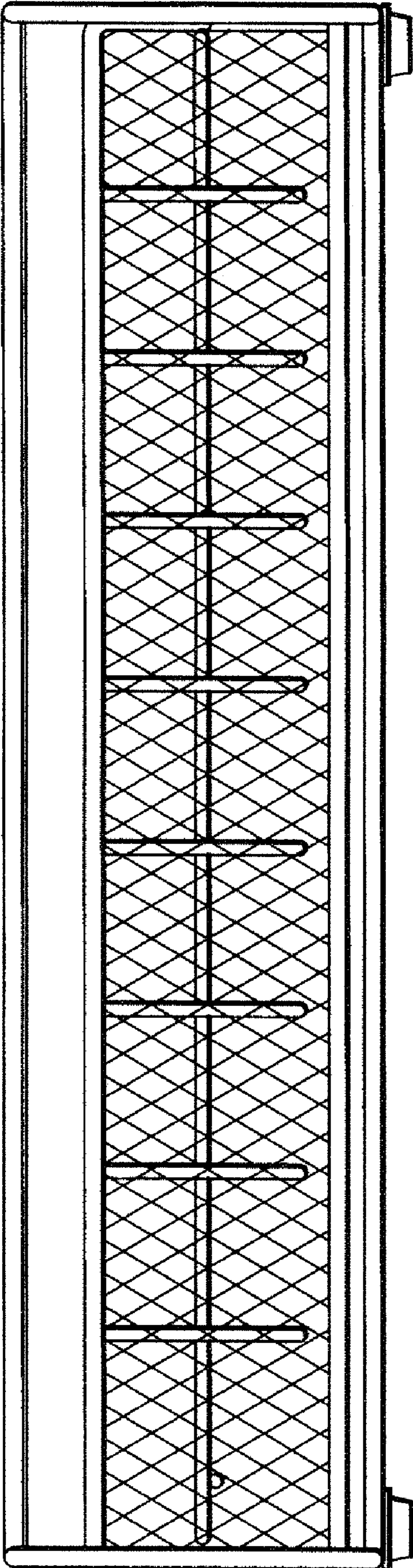


FIG. 6



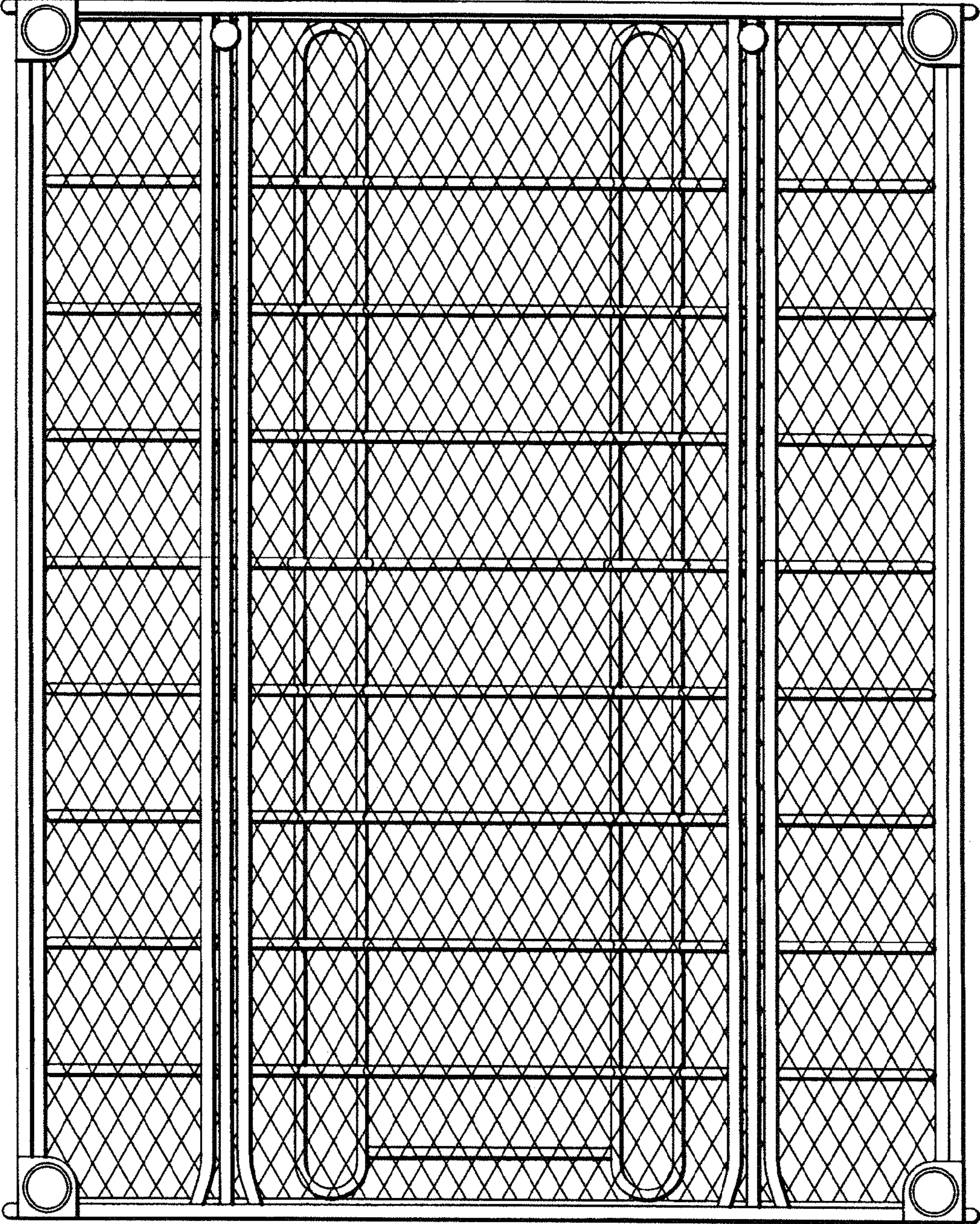


FIG. 7