



US00D644486S

(12) **United States Design Patent**
Groll

(10) **Patent No.:** **US D644,486 S**

(45) **Date of Patent:** **** Sep. 6, 2011**

(54) **STICK HANDLE FOR COOKWARE**

(75) **Inventor:** **William A. Groll, McMurray, PA (US)**

(73) **Assignee:** **All-Clad Metalcrafters LLC,**
Canonsburg, PA (US)

(**) **Term:** **14 Years**

(21) **Appl. No.:** **29/369,632**

(22) **Filed:** **Sep. 10, 2010**

(51) **LOC (9) Cl.** **07-02**

(52) **U.S. Cl.** **D7/395**

(58) **Field of Classification Search** D7/354–361,
D7/393–395, 401.2, 664; D8/107, 300, 303,
D8/307, 313, 321; D4/138, 129; 16/421,
16/430, 431, 110.1, 407; 220/573.1–573.5,
220/752, 753, 755, 756, 759, 767, 771, 912
See application file for complete search history.

(56) **References Cited**

U.S. PATENT DOCUMENTS

D407,600 S *	4/1999	LoGiudice	D7/395
D440,463 S *	4/2001	Groll	D7/395
D444,347 S *	7/2001	LoGiudice	D7/395
D468,583 S *	1/2003	Kerulis	D7/395
D497,767 S *	11/2004	Cacace	D7/361

D518,352 S *	4/2006	Brasset	D8/300
D547,511 S *	7/2007	Libman et al.	D4/138
D580,703 S *	11/2008	Devries	D7/393
D613,551 S *	4/2010	Pantaleo	D7/395

* cited by examiner

Primary Examiner — Cynthia M Chin

(74) *Attorney, Agent, or Firm* — The Webb Law Firm

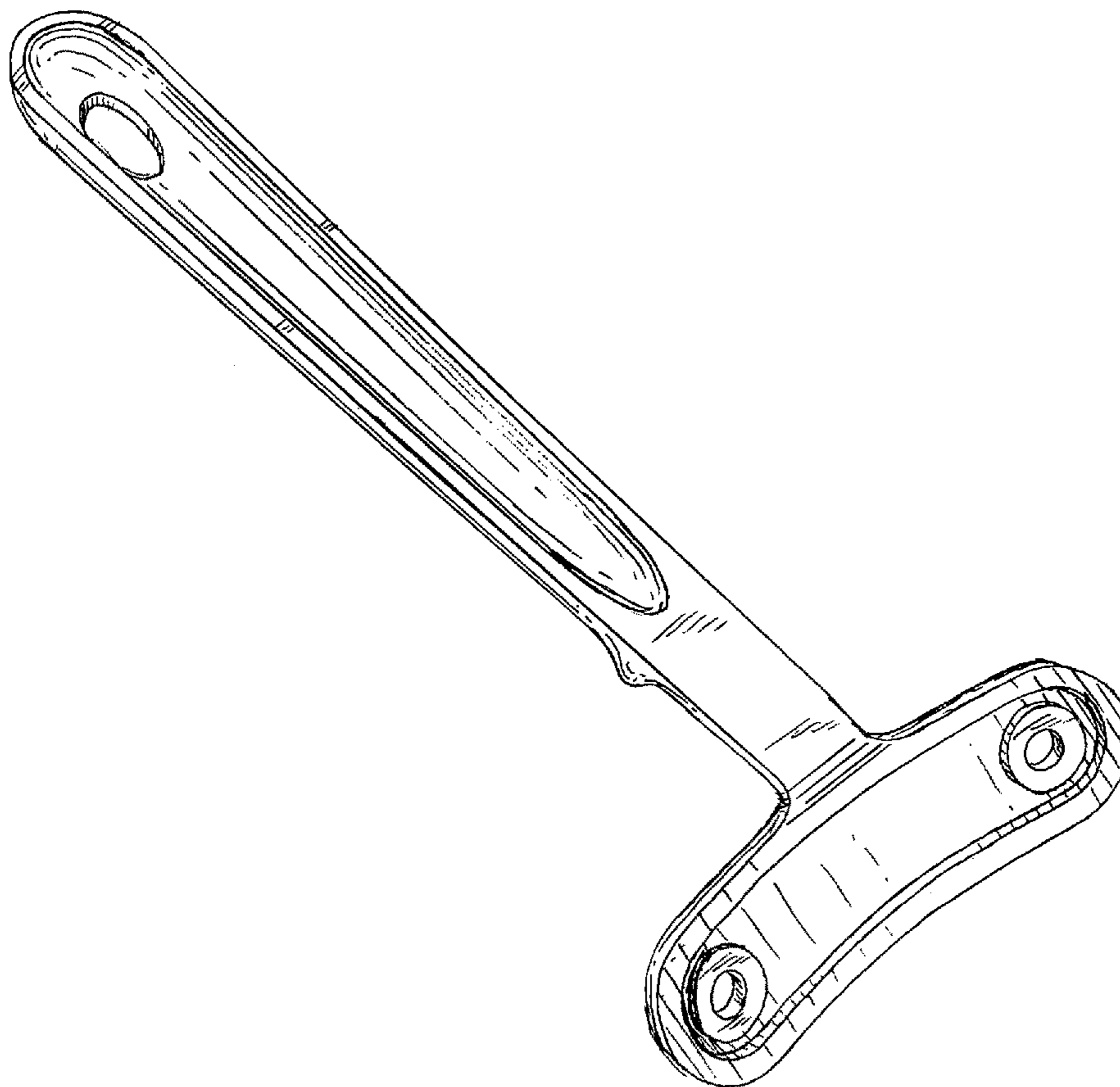
(57) **CLAIM**

The ornamental design for a stick handle for cookware, as shown and described.

DESCRIPTION

FIG. 1 is a perspective view of the stick handle for cookware of the present invention;
FIG. 2 is a top plan view of the stick handle for cookware of FIG. 1;
FIG. 3 is a side elevation view of the stick handle for cookware of FIG. 1;
FIG. 4 is a rear elevation view of the stick handle for cookware of FIG. 1;
FIG. 5 is a front elevation view of the stick handle for cookware of FIG. 1; and,
FIG. 6 is a bottom plan view of the stick handle for cookware of FIG. 1.

1 Claim, 3 Drawing Sheets



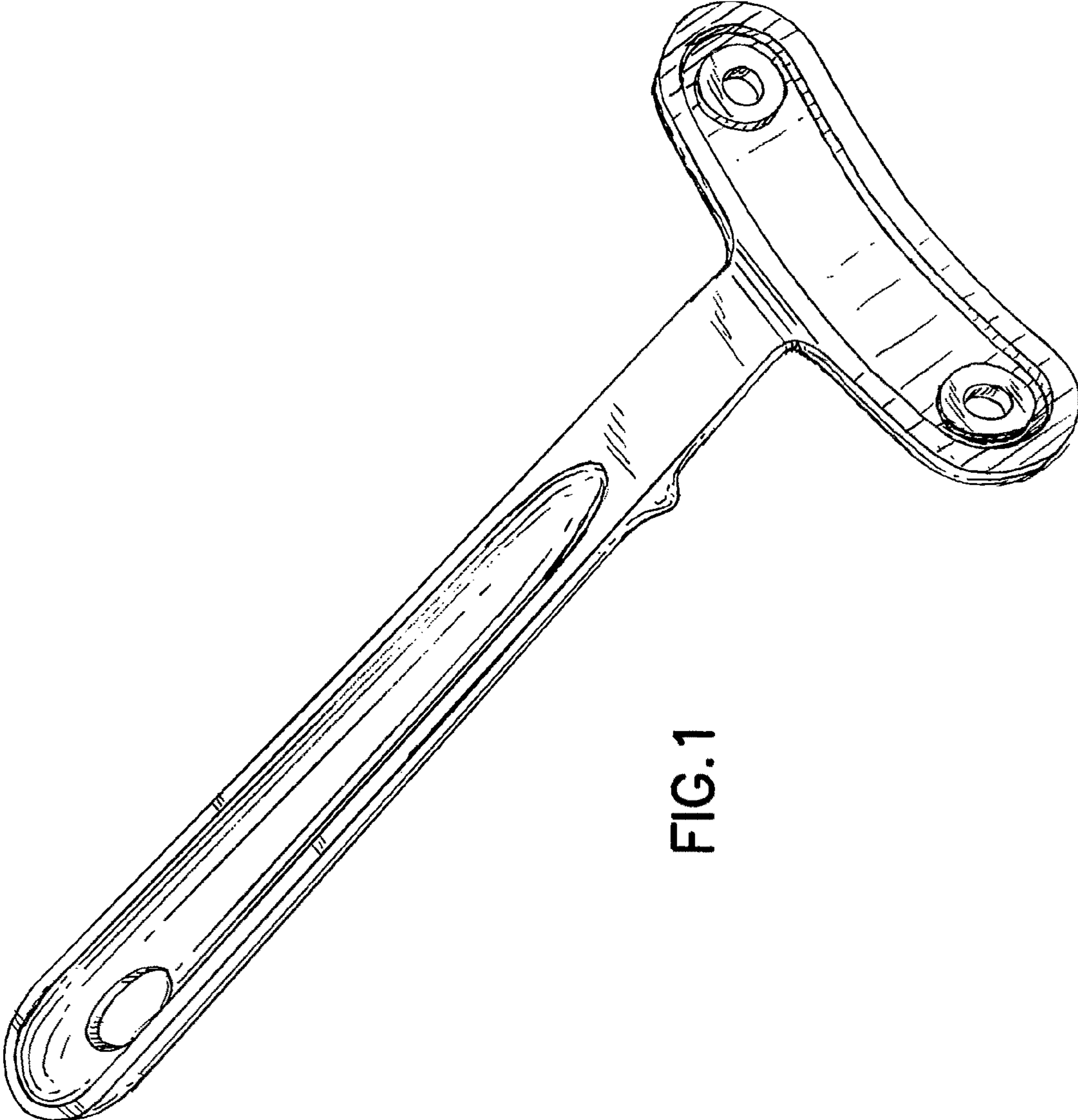


FIG. 1

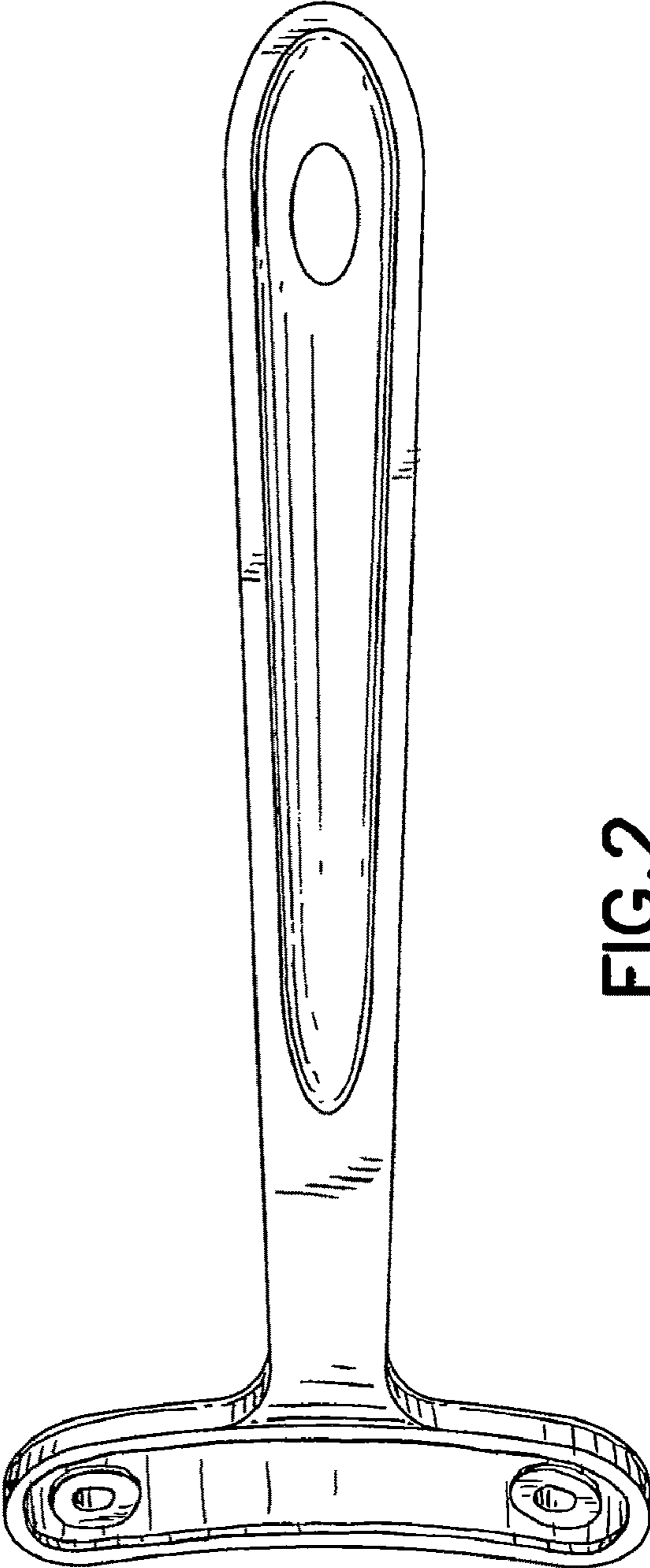


FIG. 2

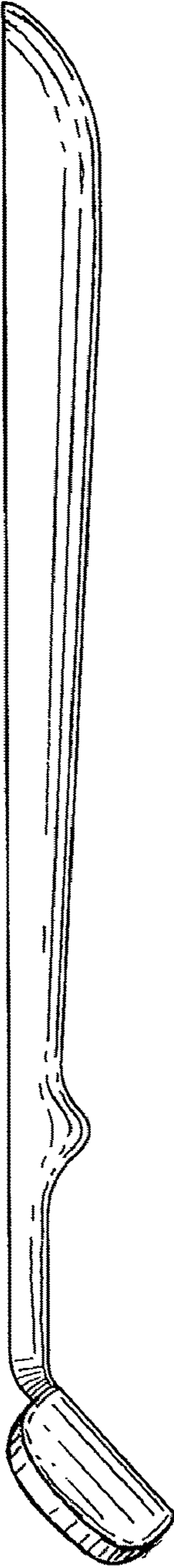


FIG. 3

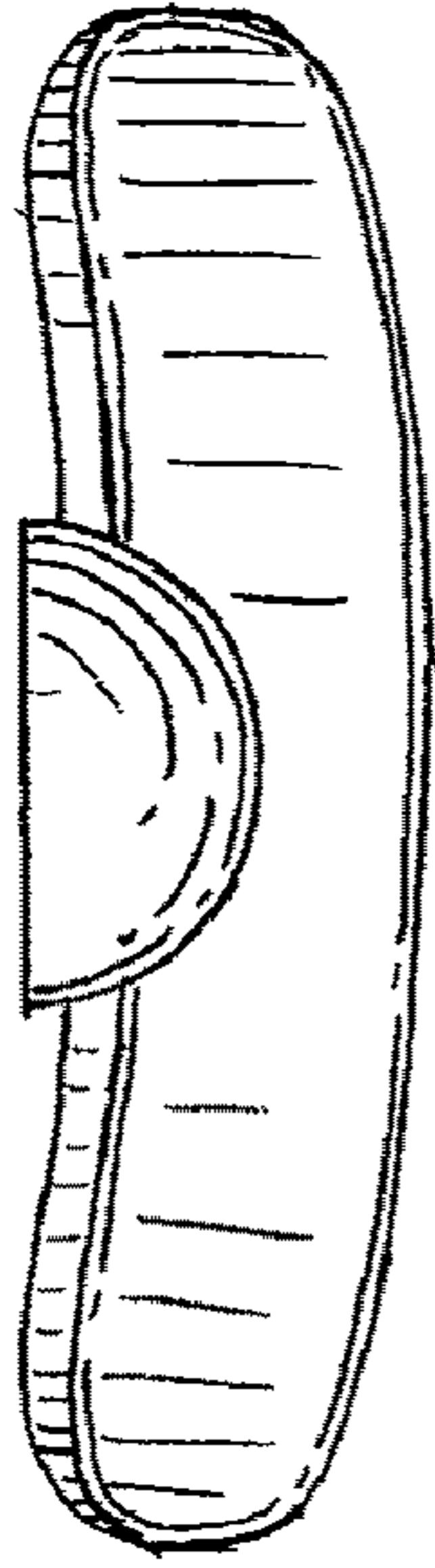


FIG. 5

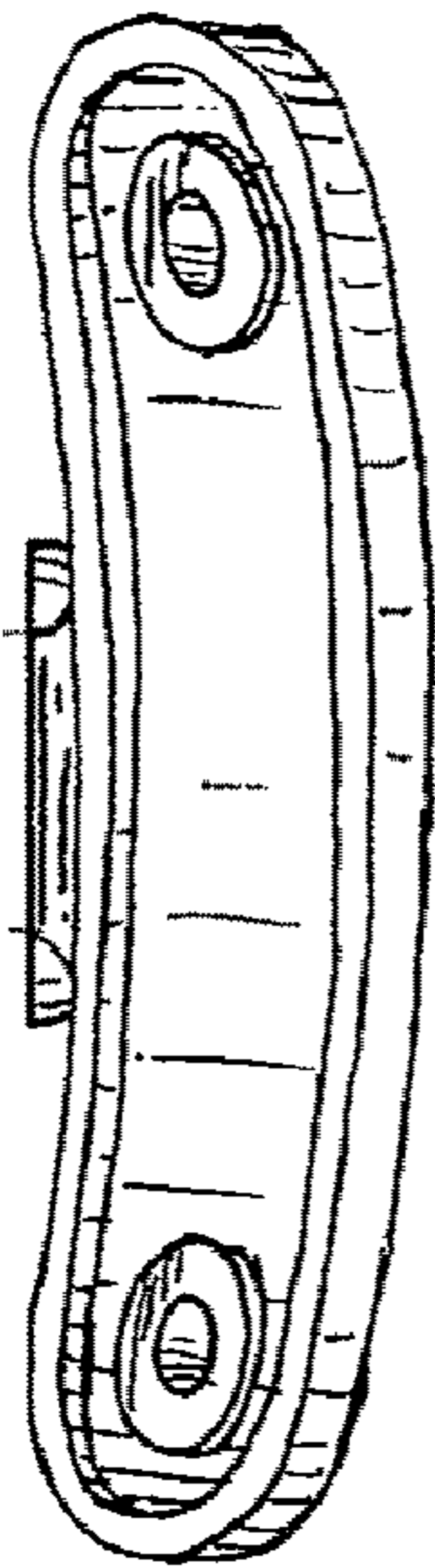


FIG. 4

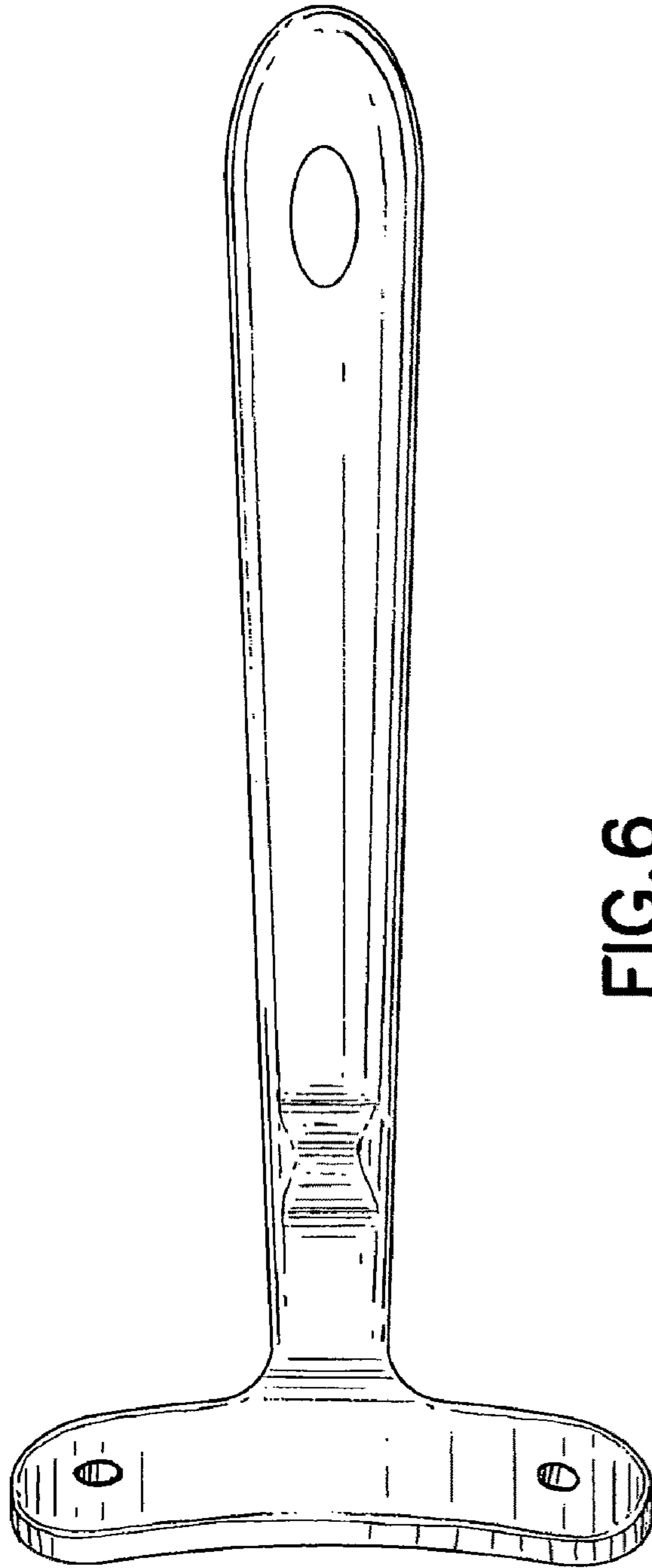


FIG. 6