



US00D644480S

(12) **United States Design Patent**
Czach et al.

(10) **Patent No.:** **US D644,480 S**

(45) **Date of Patent:** **** Sep. 6, 2011**

(54) **FOOD PROCESSOR**

(75) Inventors: **Matthew G. Czach**, Kalamazoo, MI (US); **Leif A. Norland**, Saint Joseph, MI (US)

(73) Assignee: **Whirlpool Corporation**, Benton Harbor, MI (US)

(**) Term: **14 Years**

(21) Appl. No.: **29/386,182**

(22) Filed: **Feb. 25, 2011**

(51) **LOC (9) Cl.** **31-00**

(52) **U.S. Cl.** **D7/384; D7/376; D7/378**

(58) **Field of Classification Search** D7/305-311, D7/317-318, 368, 372, 376-386, 412-415, D7/665; D15/82; 99/326, 348, 508-511; 241/30-37.5, 101.01-101.2, 166-169.1, 241/285.1-285.3, 291, 292.1; 366/64-67, 366/98, 142, 197-211, 241-254, 279-292, 366/341-347; 416/75-76, 70 R, 163

See application file for complete search history.

(56) **References Cited**

U.S. PATENT DOCUMENTS

D488,344 S * 4/2004 Seum et al. D7/384
D502,047 S * 2/2005 Ledingham et al. D7/384
D526,531 S * 8/2006 Drees et al. D7/378

D533,395 S * 12/2006 Drees et al. D7/378
D552,412 S * 10/2007 Steiner D7/378
D577,537 S * 9/2008 Lee D7/386
7,581,688 B2 * 9/2009 Mally 241/30
D605,462 S * 12/2009 Picozza et al. D7/386
D617,136 S * 6/2010 Bock et al. D7/378
D625,142 S * 10/2010 Moore D7/384
D625,143 S * 10/2010 Moore et al. D7/384
D625,144 S * 10/2010 Moore et al. D7/384

* cited by examiner

Primary Examiner — Ricky Pham

(74) *Attorney, Agent, or Firm* — Tara M. Hartman; Barnes & Thornburg, LLP

(57) **CLAIM**

We claim the ornamental design for a food processor, as shown and described.

DESCRIPTION

FIG. 1 is a front perspective view of a design of the food processor;

FIG. 2 is a front elevation view of the food processor of FIG. 1;

FIG. 3 is a first side elevation view of the food processor of FIG. 1;

FIG. 4 is a second side elevation view of the food processor of FIG. 1;

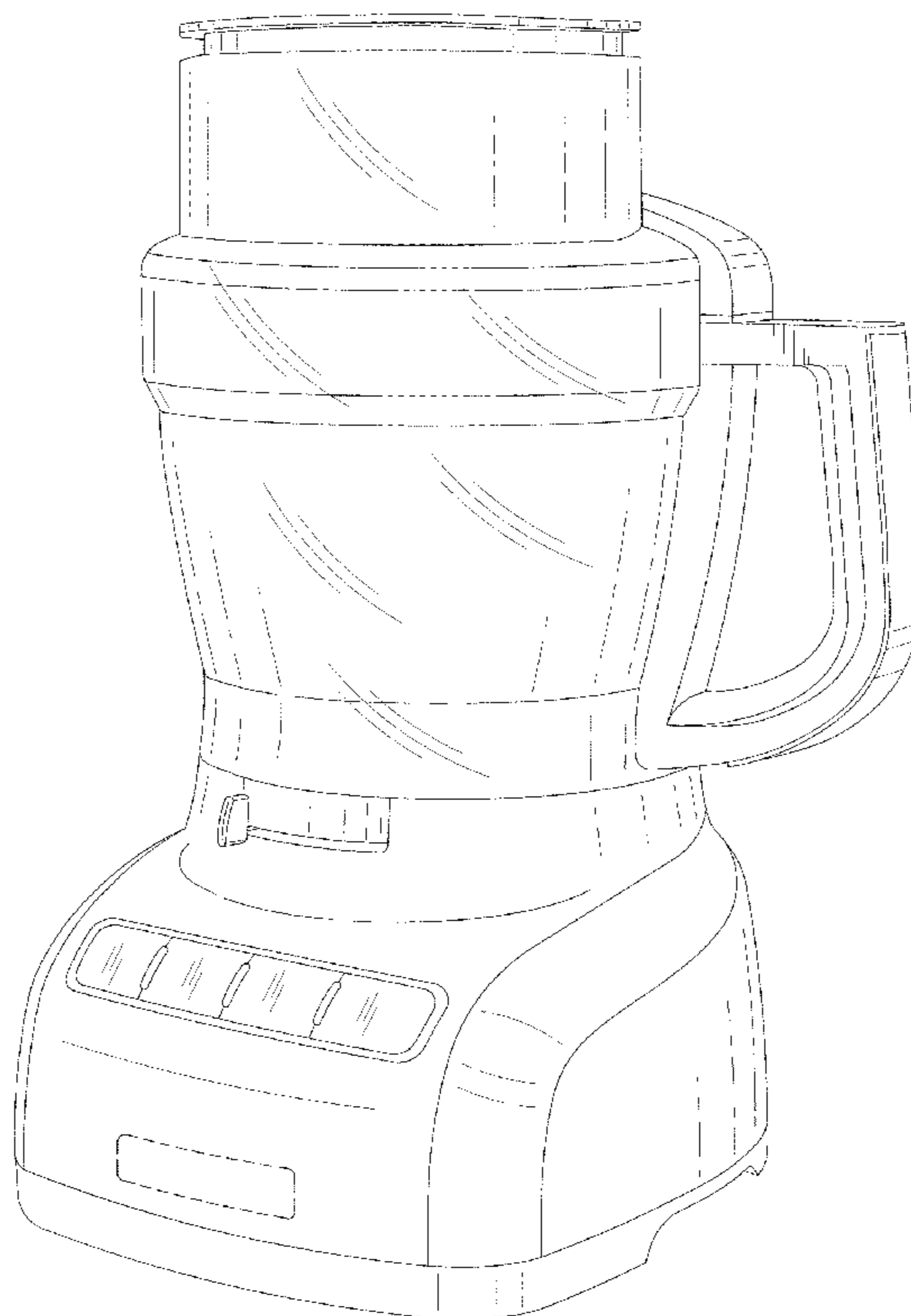
FIG. 5 is a rear elevation view of the food processor of FIG. 1;

FIG. 6 is a top plan view of the food processor of FIG. 1; and,

FIG. 7 is a bottom plan view of the food processor of FIG. 1.

The portion shown in broken lines is for illustrative purposes only and forms no part of the claimed design.

1 Claim, 7 Drawing Sheets



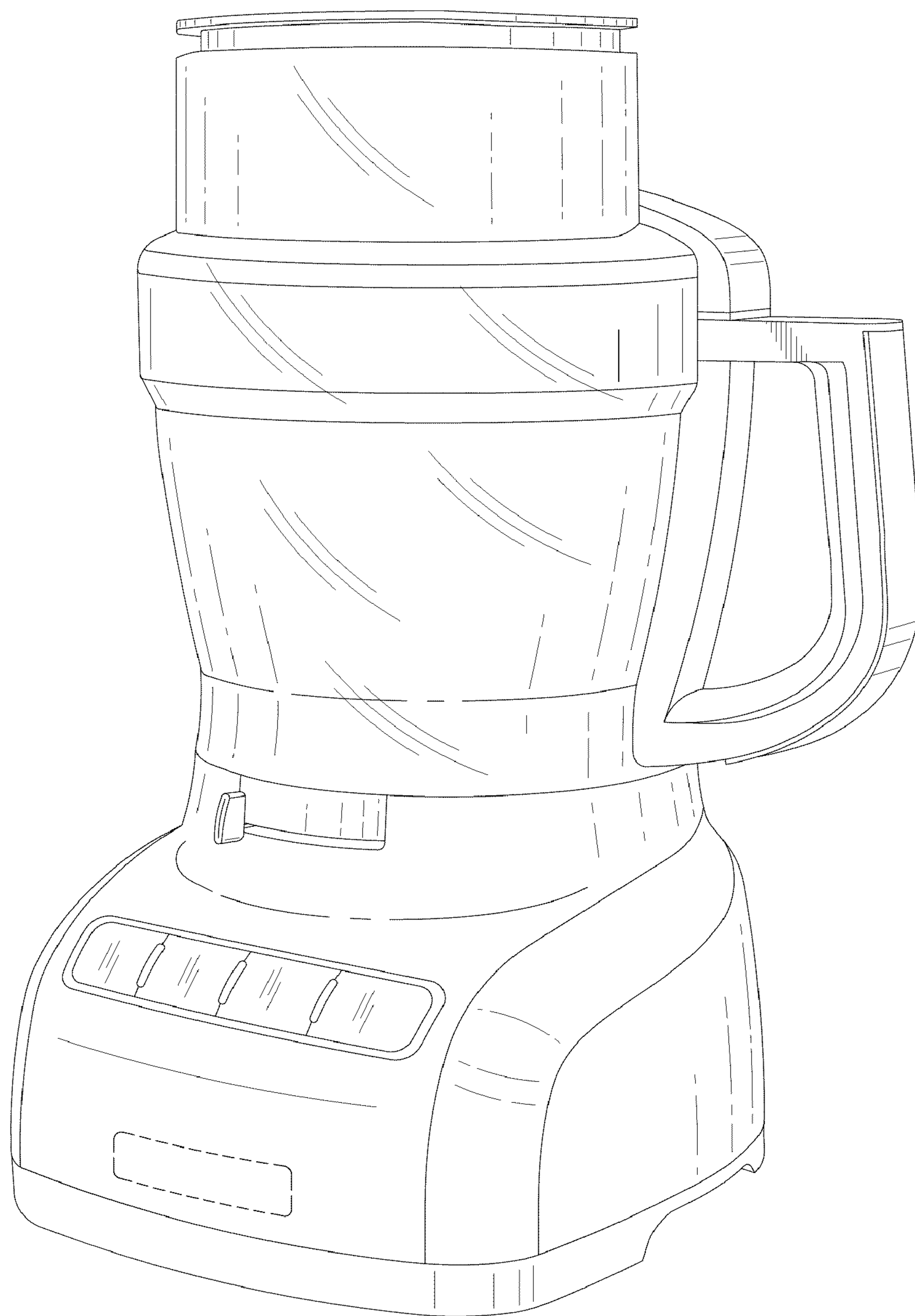


Fig. 1

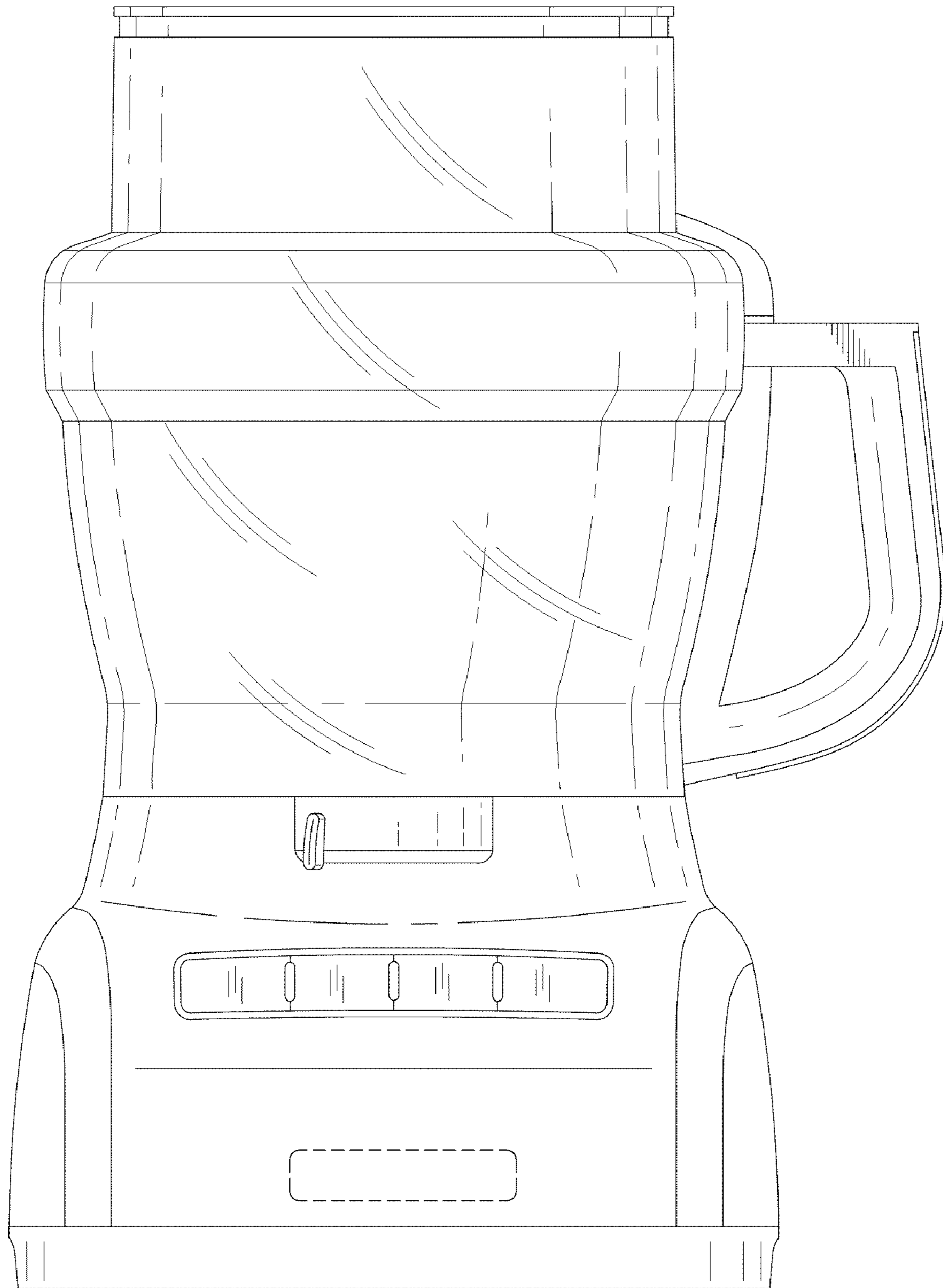


Fig. 2

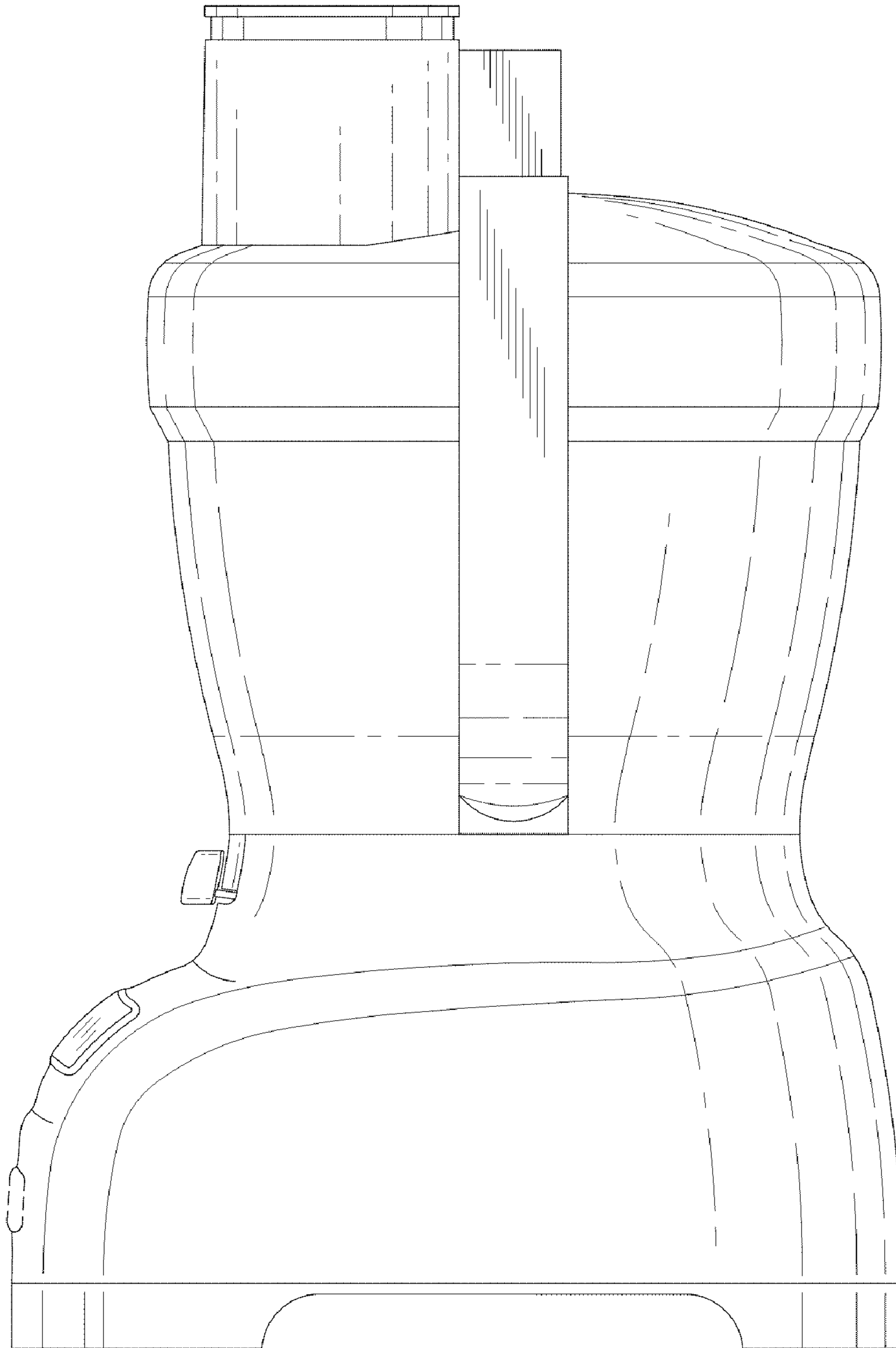


Fig. 3

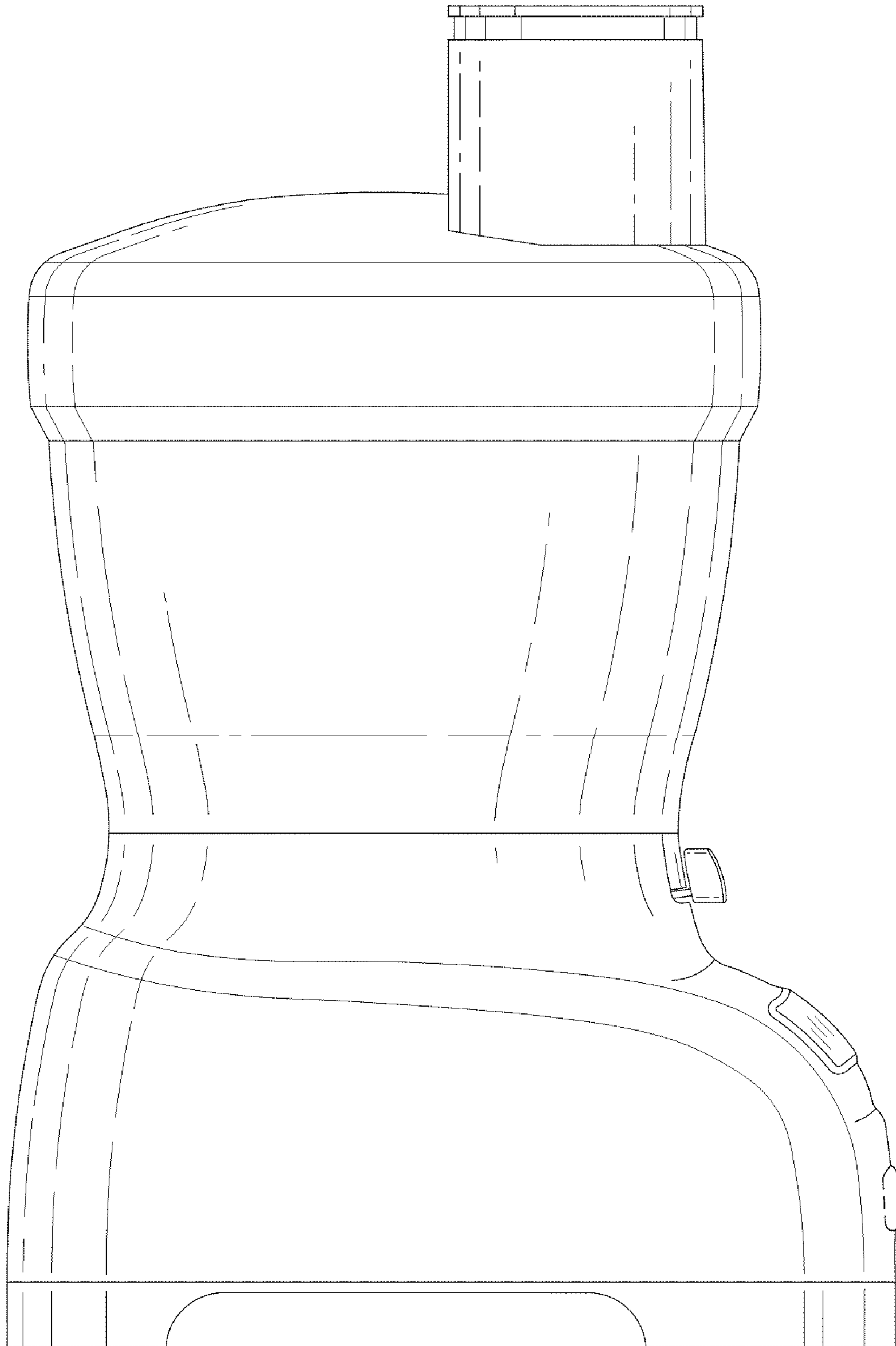


Fig. 4

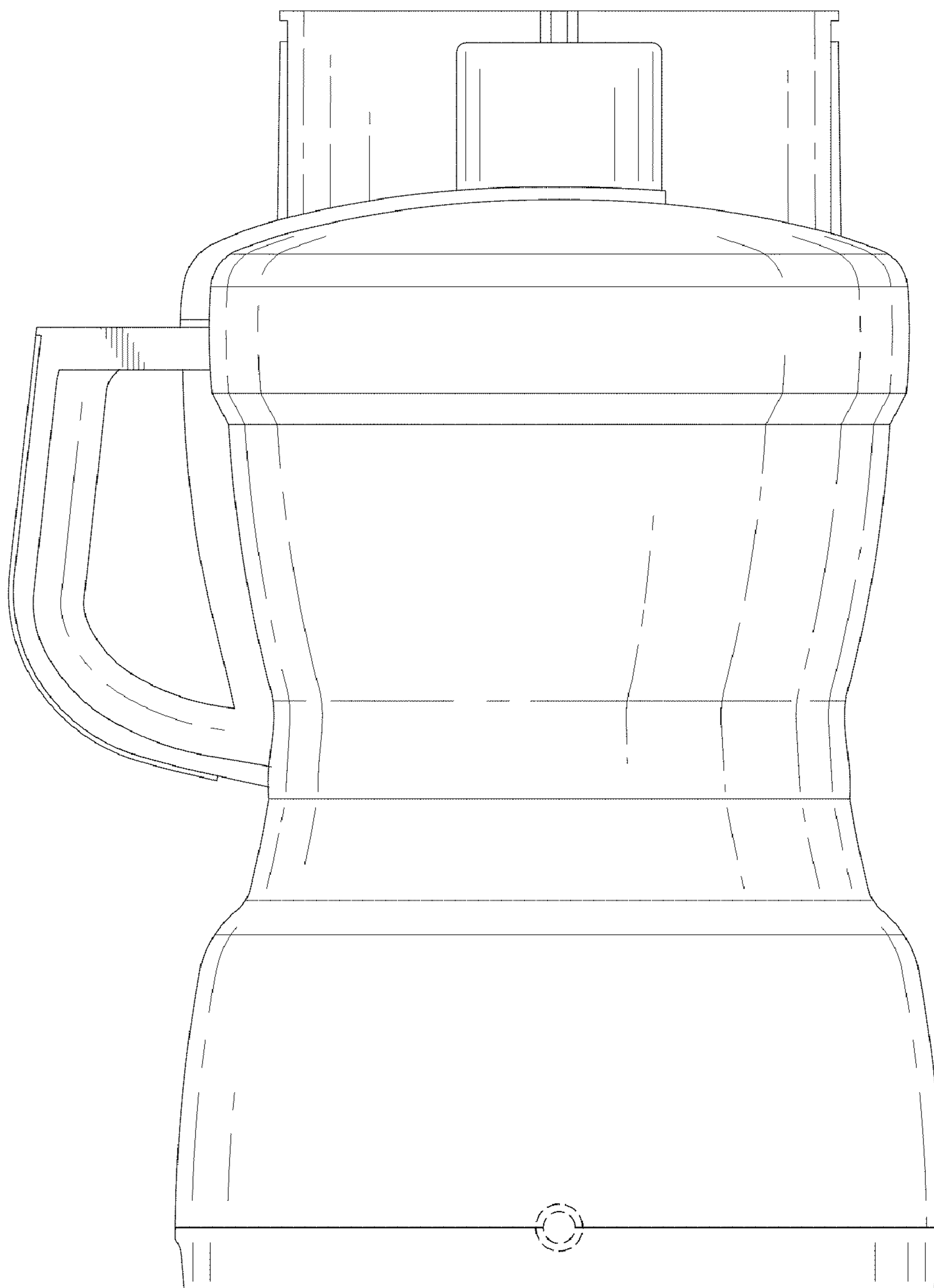


Fig. 5

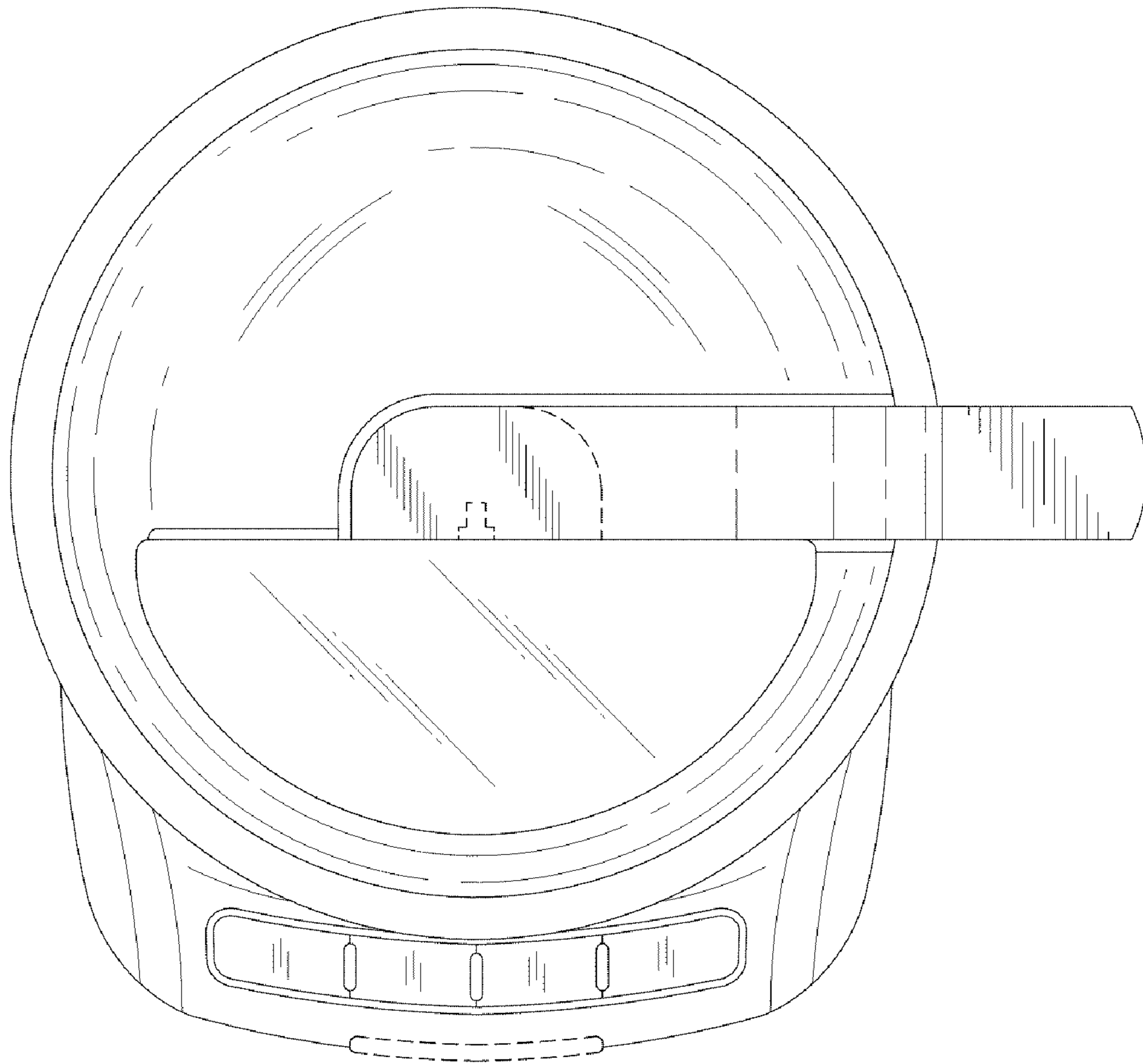


Fig. 6

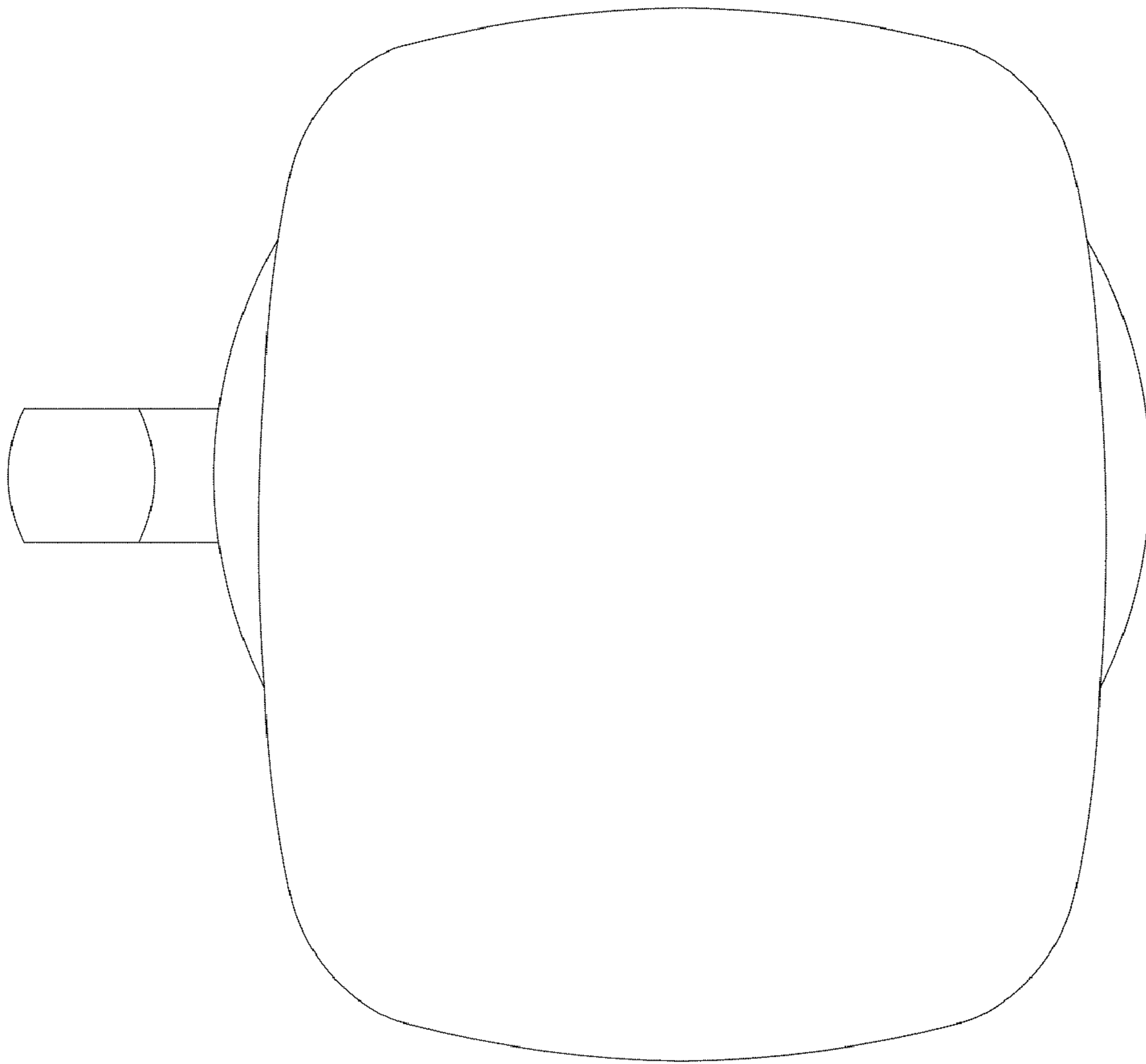


Fig. 7