



US00D644477S

(12) **United States Design Patent**
Burton et al.

(10) **Patent No.:** **US D644,477 S**

(45) **Date of Patent:** **** Sep. 6, 2011**

(54) **ELECTRIC GRILL**

(75) Inventors: **Alan Burton**, Lake Worth, FL (US);
Augusto Picozza, Boca Raton, FL (US)

(73) Assignee: **Sunbeam Products, Inc.**, Boca Raton,
FL (US)

(**) Term: **14 Years**

(21) Appl. No.: **29/356,736**

(22) Filed: **Mar. 2, 2010**

(51) **LOC (9) Cl.** **07-02**

(52) **U.S. Cl.** **D7/362; D7/352**

(58) **Field of Classification Search** D7/323,
D7/328-332, 334-341, 347-348, 350.1, 351-363;
99/324-325, 331, 339-340, 349, 353, 369,
99/372-377, 385-389, 392, 425, 444; 219/524-525,
219/620-622, 732-734
See application file for complete search history.

(56) **References Cited**

U.S. PATENT DOCUMENTS

D509,703 S *	9/2005	Barker	D7/352
D527,941 S *	9/2006	Serra	D7/352
D528,350 S *	9/2006	McHutchison	D7/352
D546,619 S *	7/2007	McHutchison	D7/352

D568,090 S *	5/2008	Lam	D7/352
D588,858 S *	3/2009	Tetreault et al.	D7/352
D591,550 S *	5/2009	Lam	D7/337
D622,538 S *	8/2010	Hoare et al.	D7/352
2005/0139086 A1 *	6/2005	McHutchison	99/389
2007/0017384 A1 *	1/2007	Serra	99/372

* cited by examiner

Primary Examiner — Ricky Pham

(74) *Attorney, Agent, or Firm* — Michael J. Corrigan

(57) **CLAIM**

The ornamental design for a electric grill, shown and described.

DESCRIPTION

FIG. 1 is a top front right perspective view of the electric grill showing the new design;
FIG. 2 is a front elevation view thereof;
FIG. 3 is a top plan view thereof;
FIG. 4 is a bottom plan view thereof;
FIG. 5 is a left side elevation view thereof;
FIG. 6 is a right side elevation view thereof; and,
FIG. 7 is a back elevation view thereof.
The broken lines in the drawings are for illustrative purposes only and form no part of the claimed design.

1 Claim, 4 Drawing Sheets

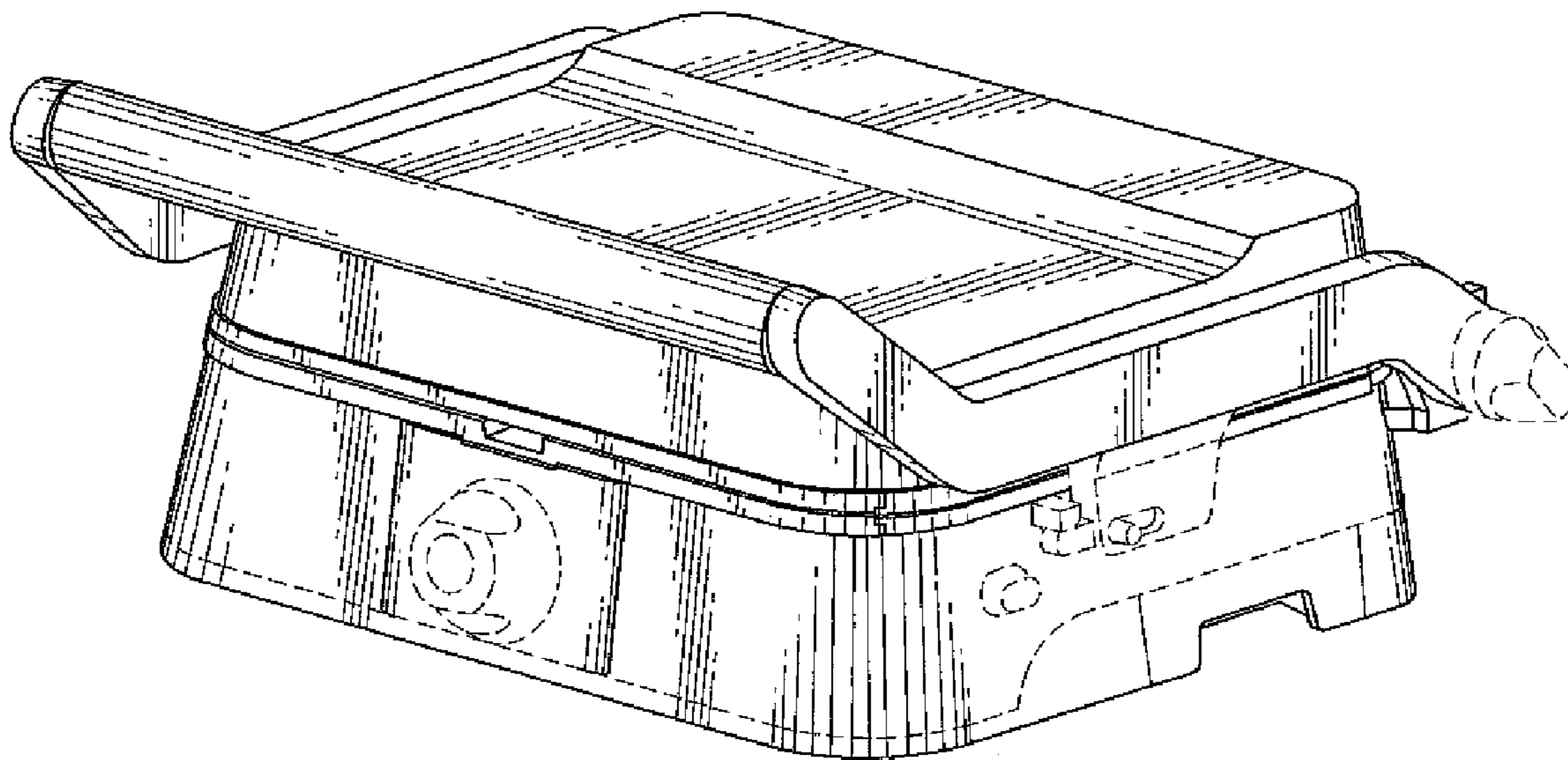


FIG. 1

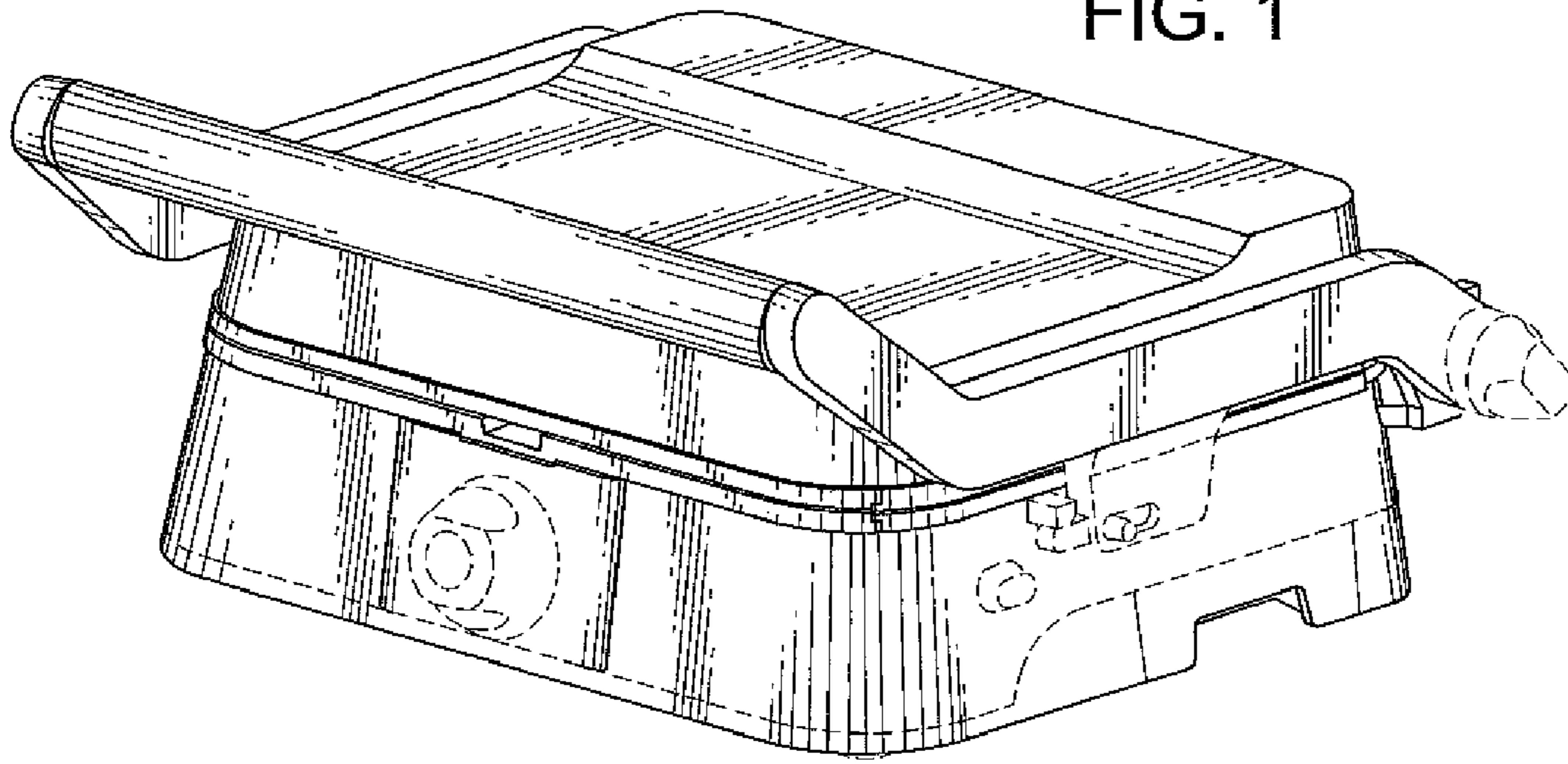


FIG. 2

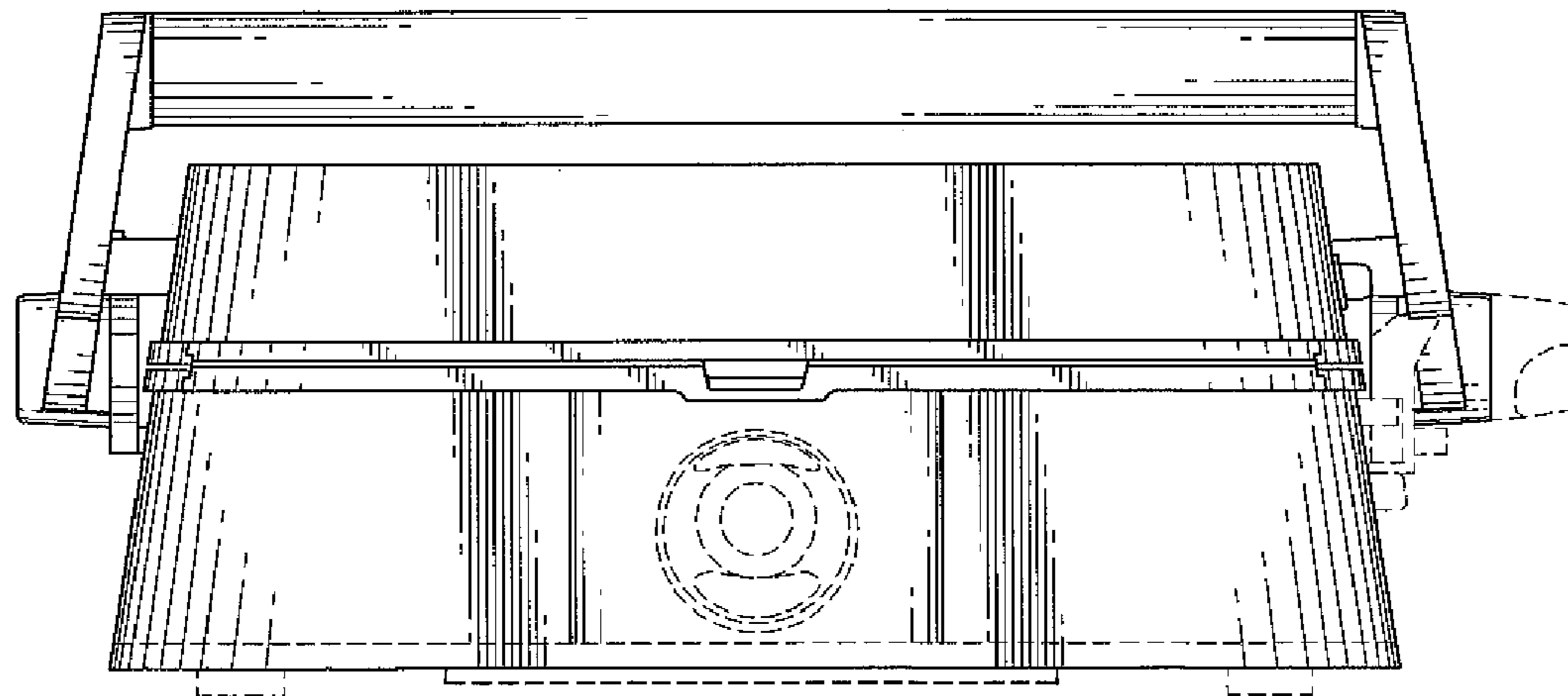


FIG. 3

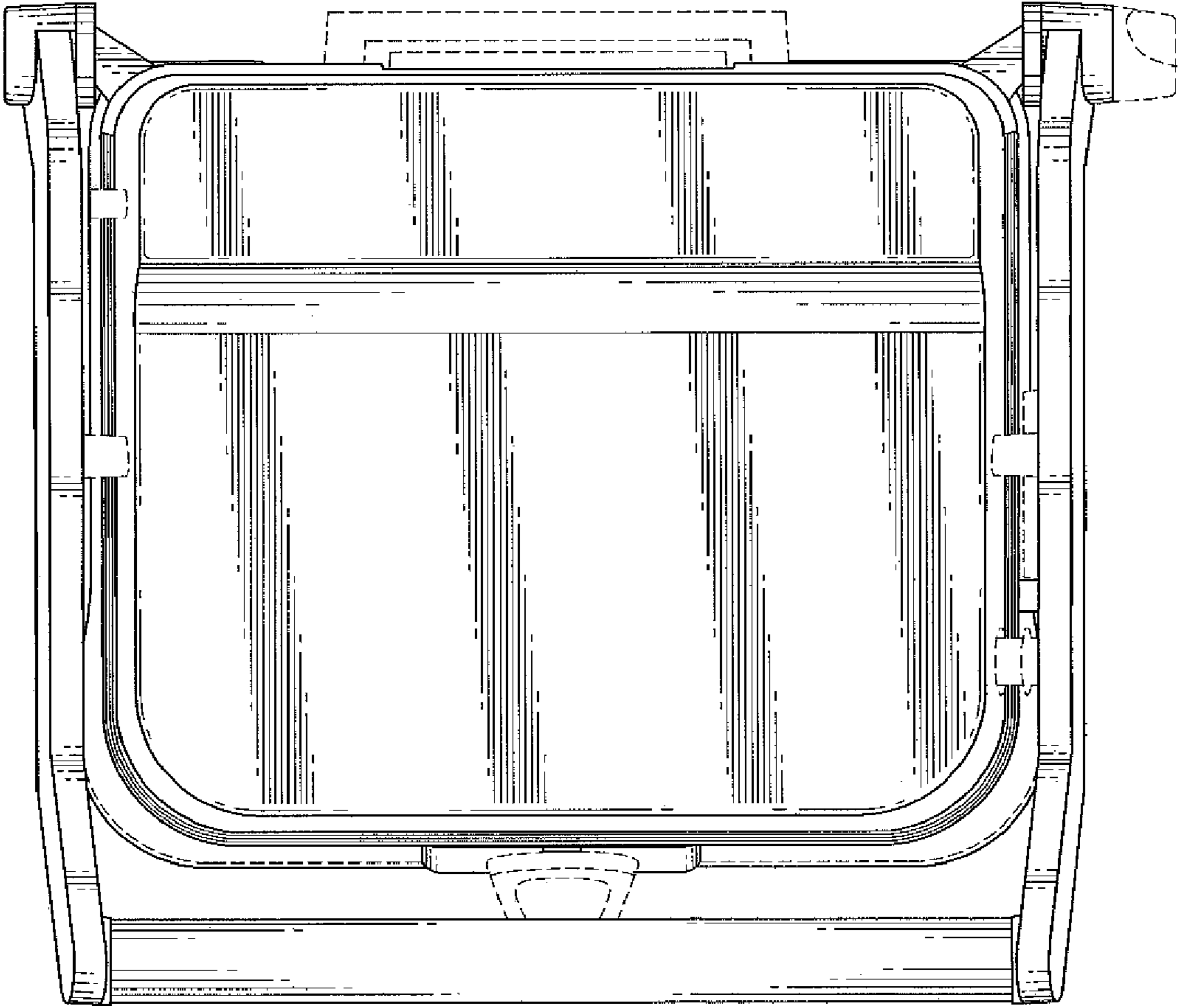


FIG. 4

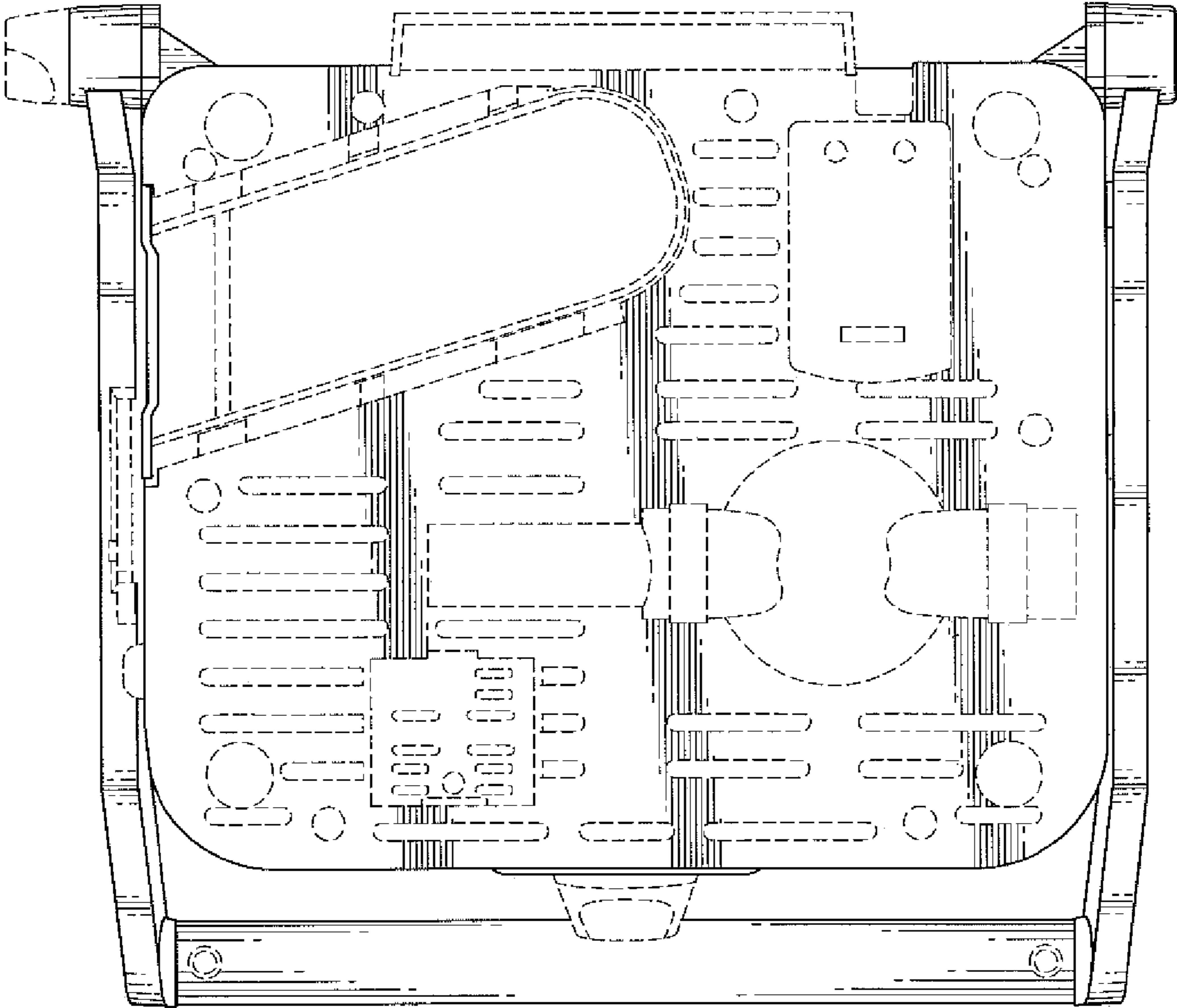


FIG. 5

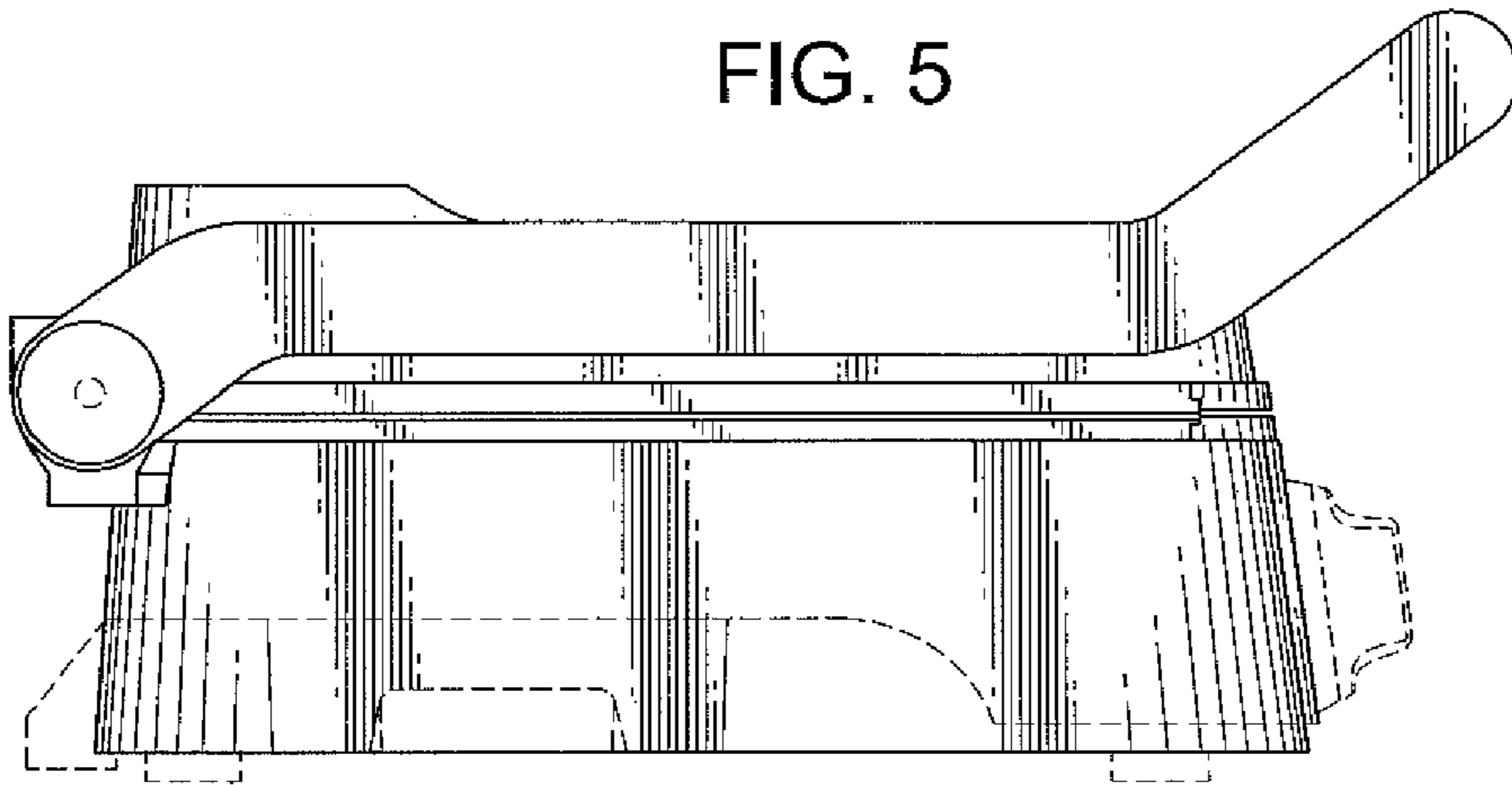


FIG. 6

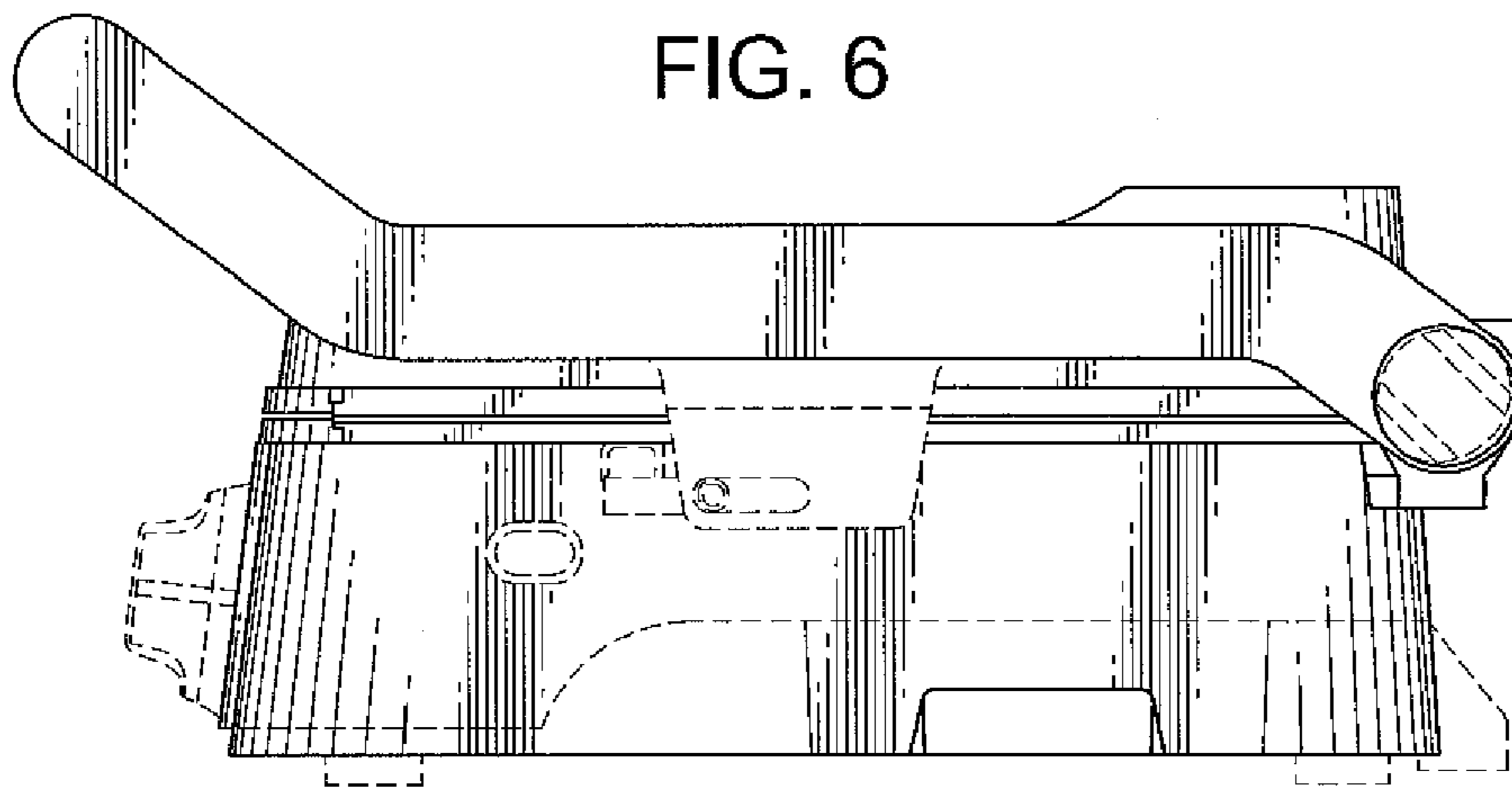


FIG. 7

