



US00D644476S

(12) **United States Design Patent**
Gregory et al.

(10) **Patent No.:** **US D644,476 S**
(45) **Date of Patent:** **** Sep. 6, 2011**

(54) **SLOW COOKER**

(75) Inventors: **Christopher A. Gregory**, Saint Joseph, MI (US); **Leif A. Norland**, Saint Joseph, MI (US)

(73) Assignee: **Whirlpool Corporation**, Benton Harbor, MI (US)

(**) Term: **14 Years**

(21) Appl. No.: **29/386,142**

(22) Filed: **Feb. 25, 2011**

(51) **LOC (9) Cl.** **07-02**

(52) **U.S. Cl.** **D7/354; D7/357; D7/360**

(58) **Field of Classification Search** D7/323, D7/329-331, 339, 346-347, 350.1-350.4, D7/354-366, 391, 393, 395, 402, 538, 542, D7/587; 99/324-325, 331-332, 337-340, 99/369, 403-418, 422, 444, 483; 126/37 R, 126/261, 378.1; 206/501-505, 507-508; 219/400, 405, 429-442, 620-624, 725, 730-735; 220/315, 573.1-573.5, 912; 426/438, 441
See application file for complete search history.

(56) **References Cited**

U.S. PATENT DOCUMENTS

D347,356	S	*	5/1994	Yim	D7/360
D420,246	S	*	2/2000	Alonge et al.	D7/360
D425,360	S	*	5/2000	Dobson et al.	D7/360
D429,596	S	*	8/2000	Hlava et al.	D7/360
6,102,238	A	*	8/2000	Brady et al.	220/315
D433,869	S	*	11/2000	Wong et al.	D7/360
D434,940	S	*	12/2000	Hlava et al.	D7/354
D445,298	S	*	7/2001	DeBord et al.	D7/360
6,498,323	B1	*	12/2002	Robertson et al.	219/433

D537,670	S	*	3/2007	Genslak et al.	D7/354
D556,504	S	*	12/2007	Averty	D7/360
7,339,140	B2	*	3/2008	Tidey	219/429
D568,676	S	*	5/2008	Steiner et al.	D7/354
D590,654	S	*	4/2009	Perkins et al.	D7/354
D606,803	S	*	12/2009	Picozza et al.	D7/354
D620,744	S	*	8/2010	Rose	D7/357
D628,849	S	*	12/2010	Tetreault et al.	D7/357
D635,818	S	*	4/2011	Tse	D7/357
2004/0079747	A1	*	4/2004	Wang	219/438

* cited by examiner

Primary Examiner — Ricky Pham

(74) *Attorney, Agent, or Firm* — Tara M. Hartman; Barnes & Thornburg, LLP

(57) **CLAIM**

We claim the ornamental design for a slow cooker, as shown and described.

DESCRIPTION

Cross-reference is made to co-pending U.S. Design patent application Ser. No. 29/386,145 entitled "Dual Lid," which was filed on Feb. 25, 2011 and is incorporated herein by reference.

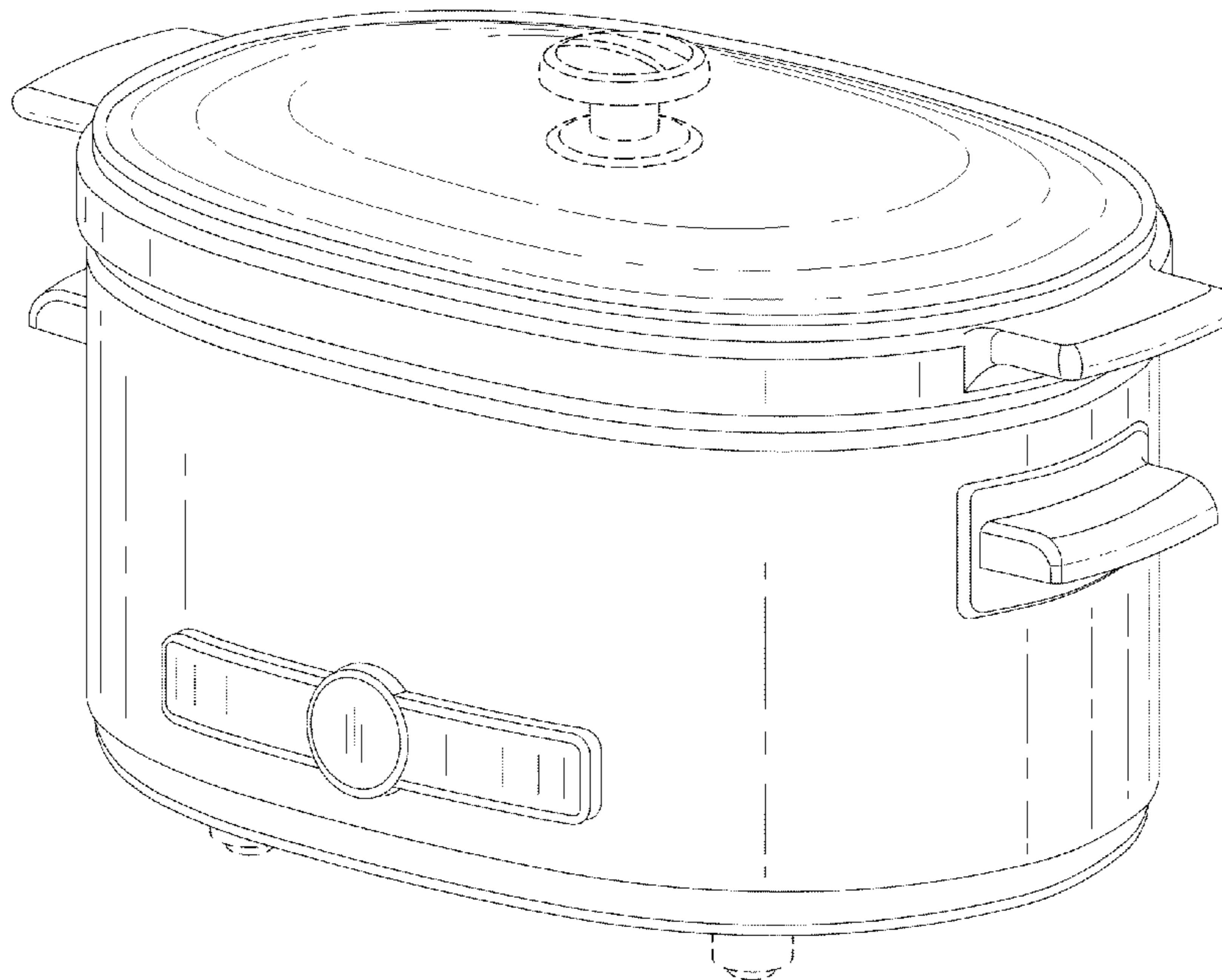
FIG. 1 is a front perspective view of a design of the slow cooker;

FIG. 2 is a front elevation view of the slow cooker of FIG. 1; FIG. 3 is a first side elevation view of the slow cooker of FIG. 1, with the second side elevation view being a mirror image of the first side elevation view;

FIG. 4 is a rear elevation view of the slow cooker of FIG. 1; FIG. 5 is a top plan view of the slow cooker of FIG. 1; and, FIG. 6 is a bottom plan view of the slow cooker of FIG. 1.

The portion shown in broken lines is for illustrative purposes only and forms no part of the claimed design.

1 Claim, 6 Drawing Sheets



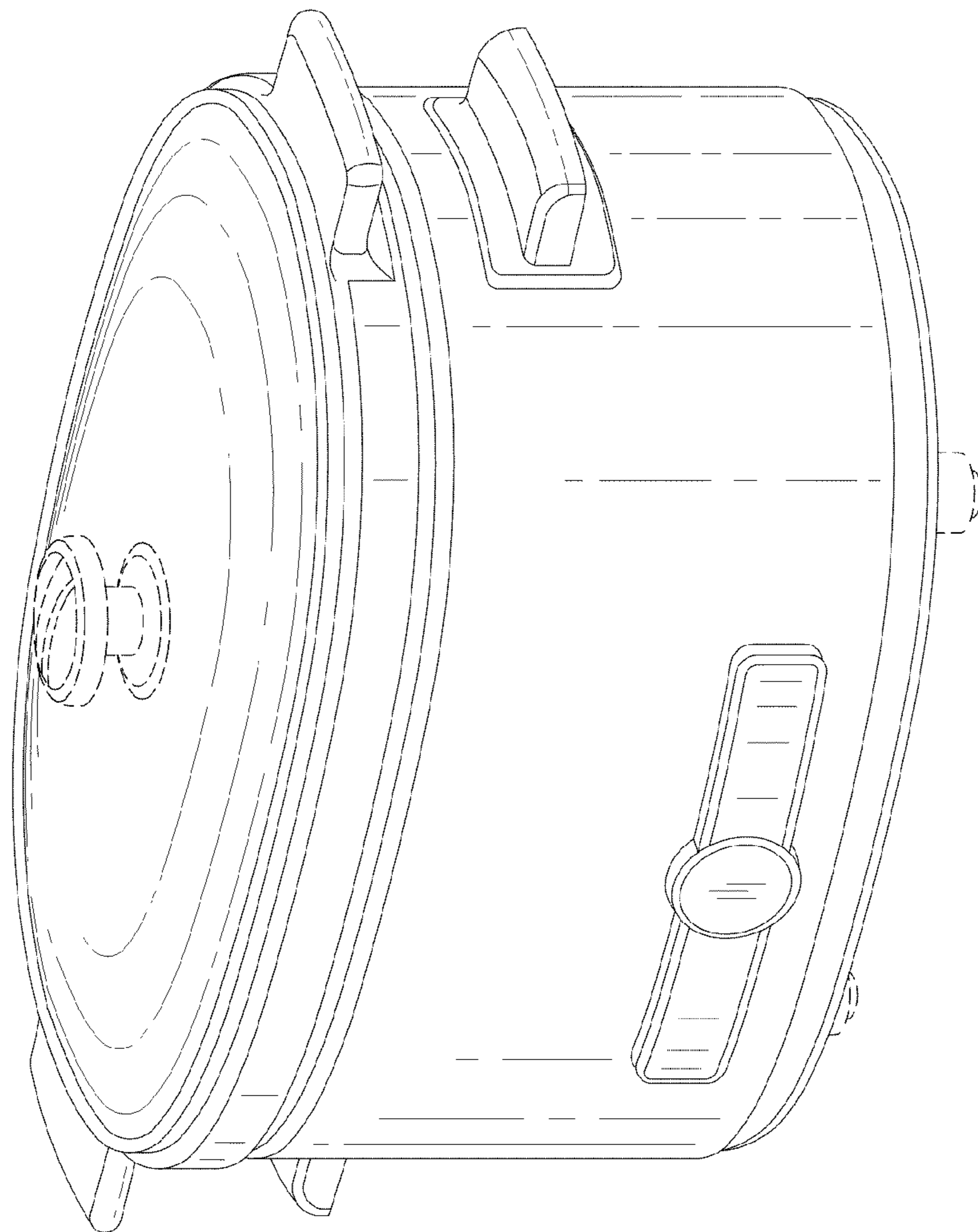


Fig. 1

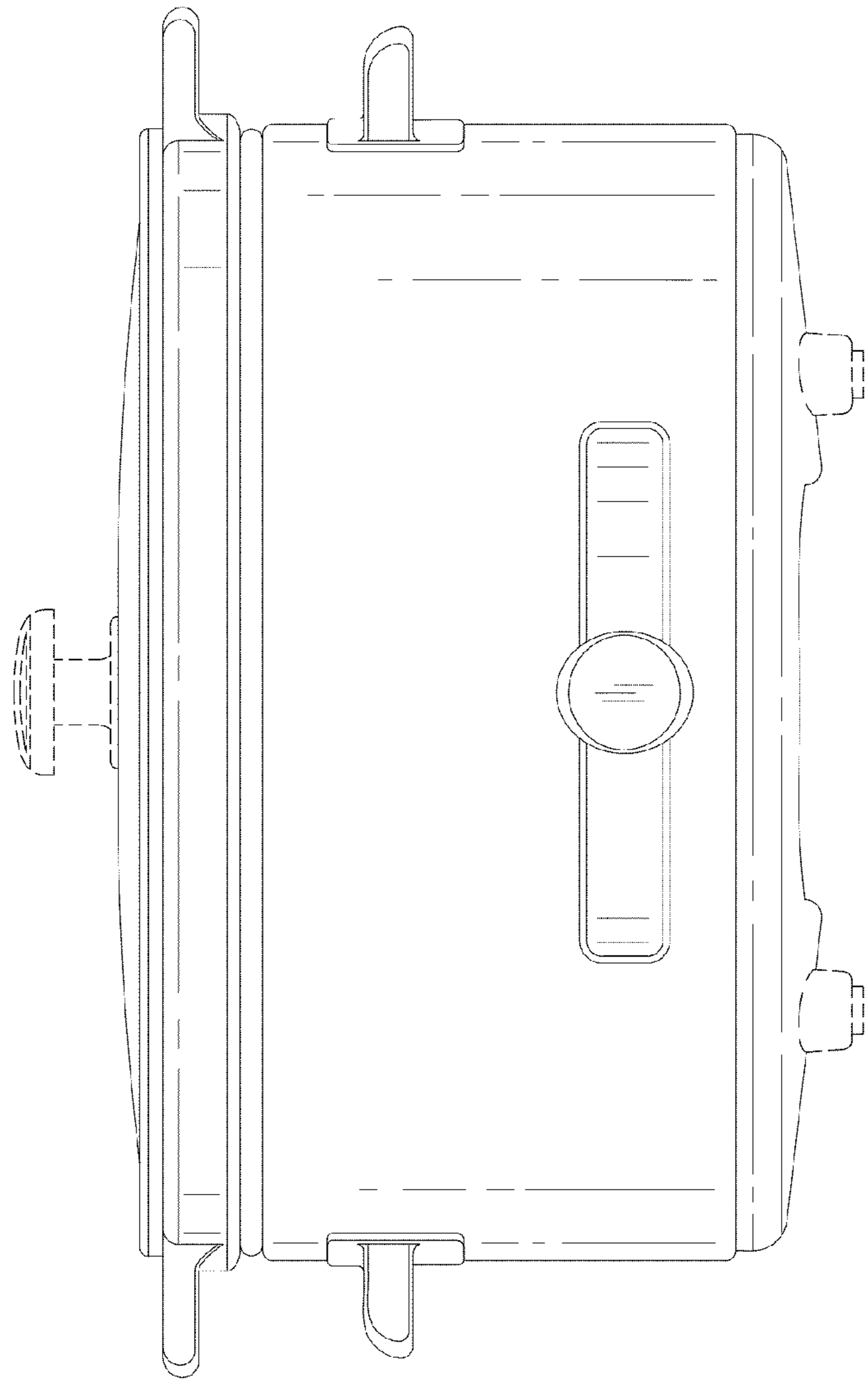


Fig. 2

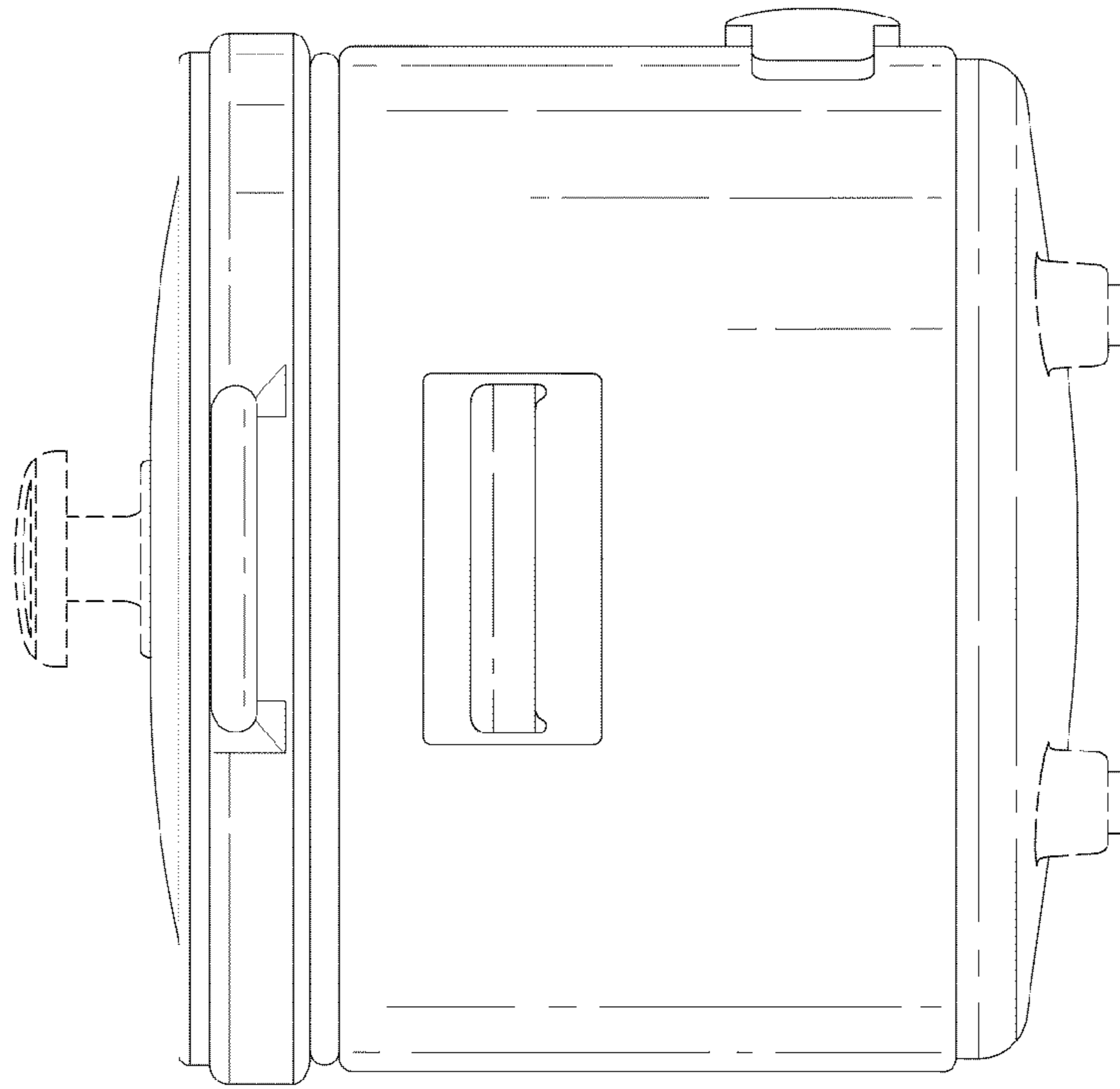


Fig. 3

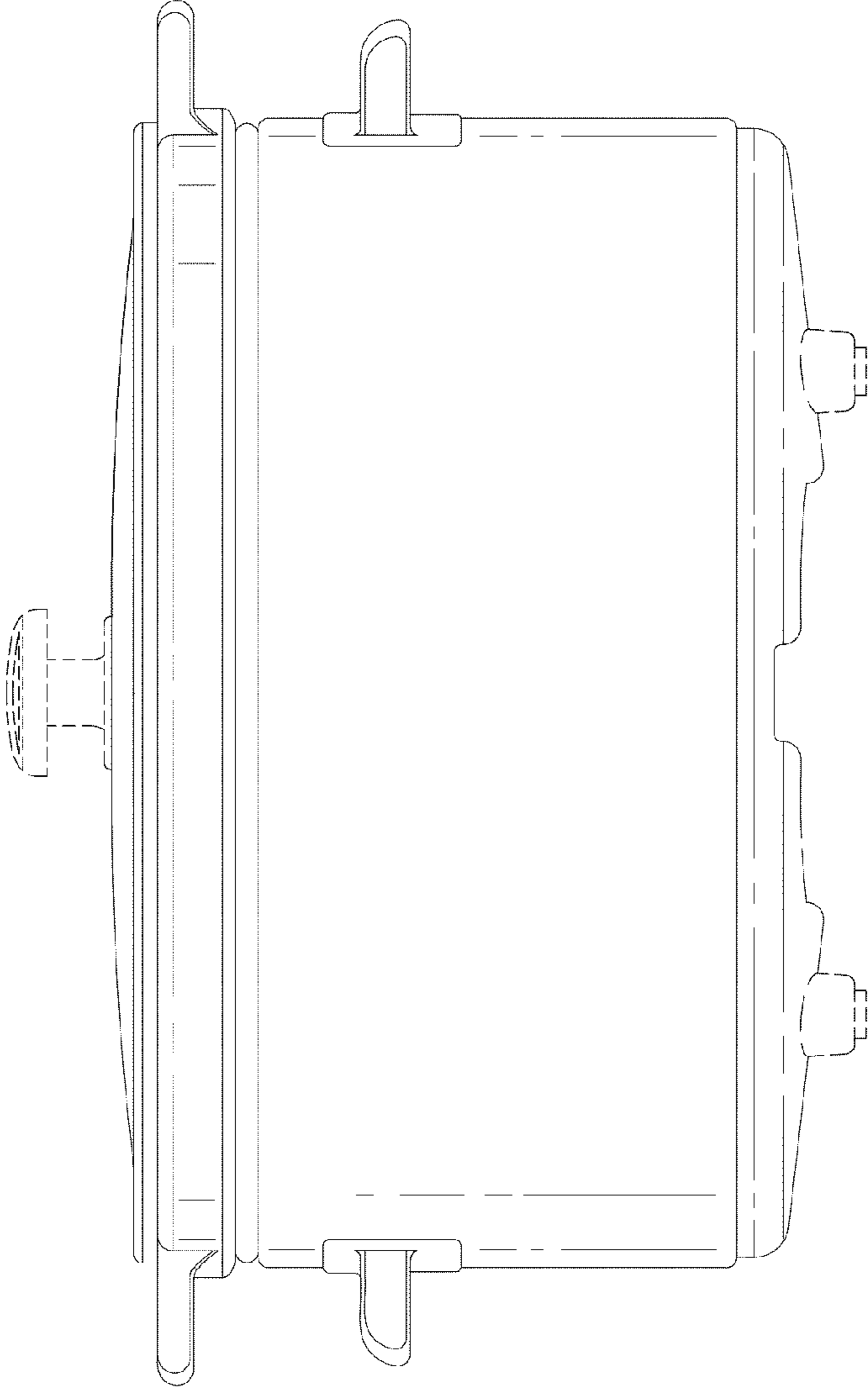


Fig. 4

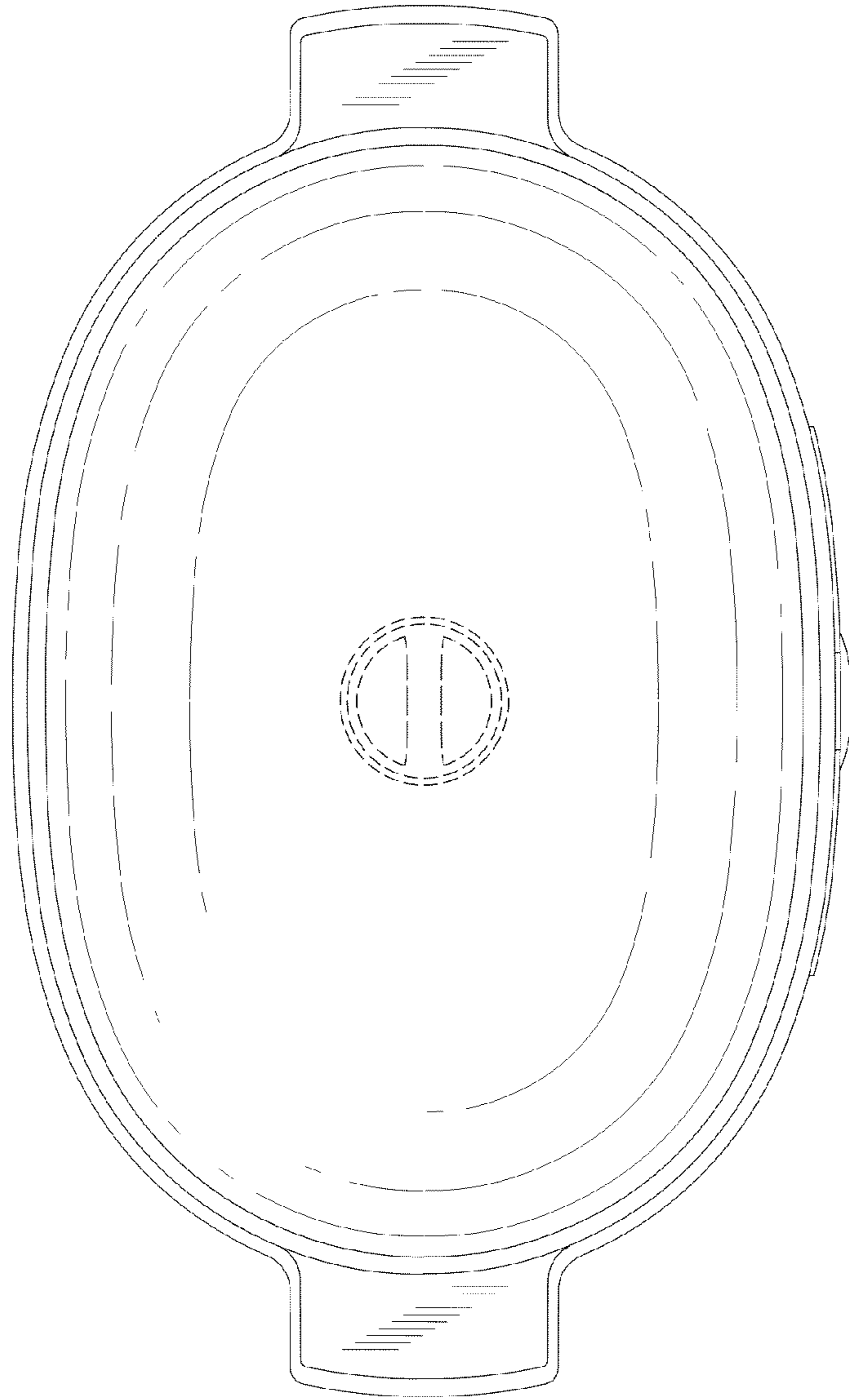


Fig. 5

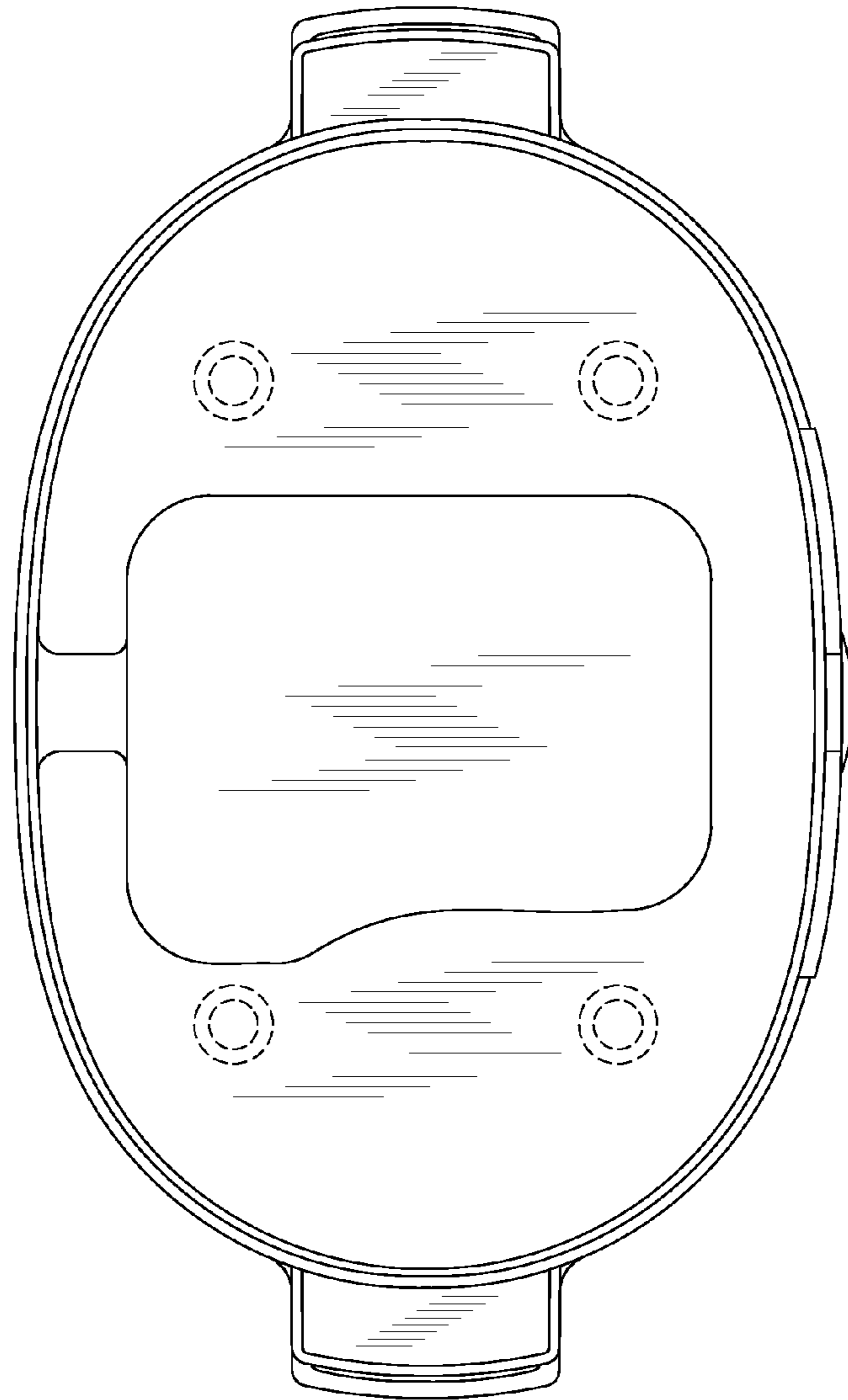


Fig. 6