



US00D644473S

(12) **United States Design Patent**
Pantaleo et al.

(10) **Patent No.:** **US D644,473 S**

(45) **Date of Patent:** **** Sep. 6, 2011**

(54) **TOASTER**

(75) Inventors: **Sarah Pantaleo**, Sandy Springs, GA (US); **Lars Blacken**, Roswell, GA (US); **Joel Tetreault**, Roswell, GA (US)

(73) Assignee: **Calphalon Corporation**, Atlanta, GA (US)

(**) Term: **14 Years**

(21) Appl. No.: **29/377,905**

(22) Filed: **Oct. 27, 2010**

(51) **LOC (9) Cl.** **07-02**

(52) **U.S. Cl.** **D7/330**

(58) **Field of Classification Search** D7/323, D7/328-334, 340-341, 346, 350.4, 354-365, D7/367, 390, 402, 405-411; 99/326-327, 99/329 R, 331-332, 341, 349, 357, 375, 385-389, 99/392, 423; 219/385-392, 405, 443.1, 450.1, 219/489, 492, 532; 426/233, 523
See application file for complete search history.

(56) **References Cited**

U.S. PATENT DOCUMENTS

D394,983 S *	6/1998	Garrett et al.	D7/330
D413,224 S *	8/1999	Cruz et al.	D7/330
D488,664 S *	4/2004	Seum et al.	D7/330
D492,536 S *	7/2004	Wong et al.	D7/330
D502,839 S *	3/2005	Cuffaro et al.	D7/330
D503,581 S *	4/2005	Wong et al.	D7/330
D509,702 S *	9/2005	Picozza et al.	D7/330
D510,676 S *	10/2005	Picozza et al.	D7/330
D520,801 S *	5/2006	Cuffaro et al.	D7/330

D554,933 S * 11/2007 Kim et al. D7/330
* cited by examiner

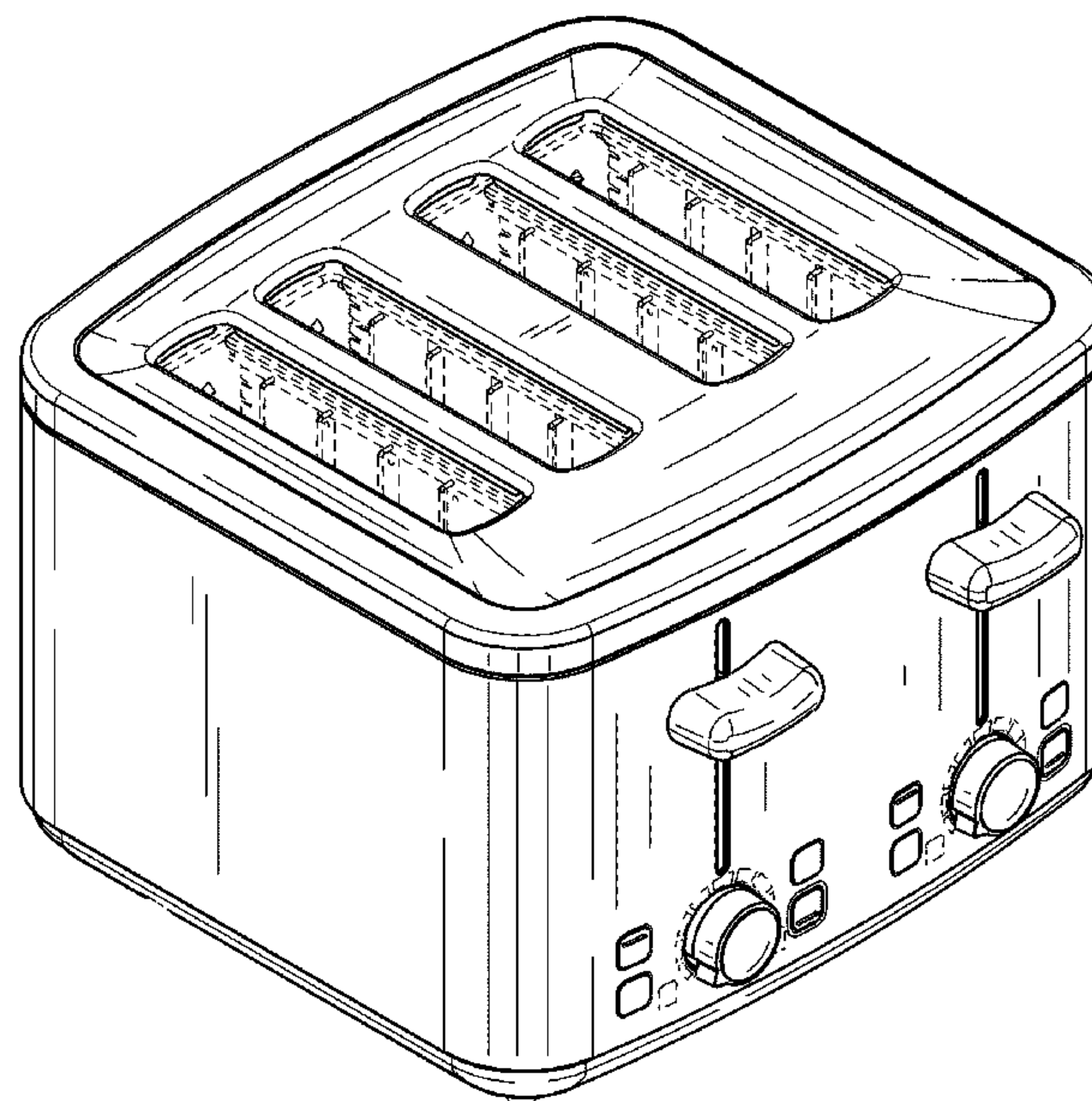
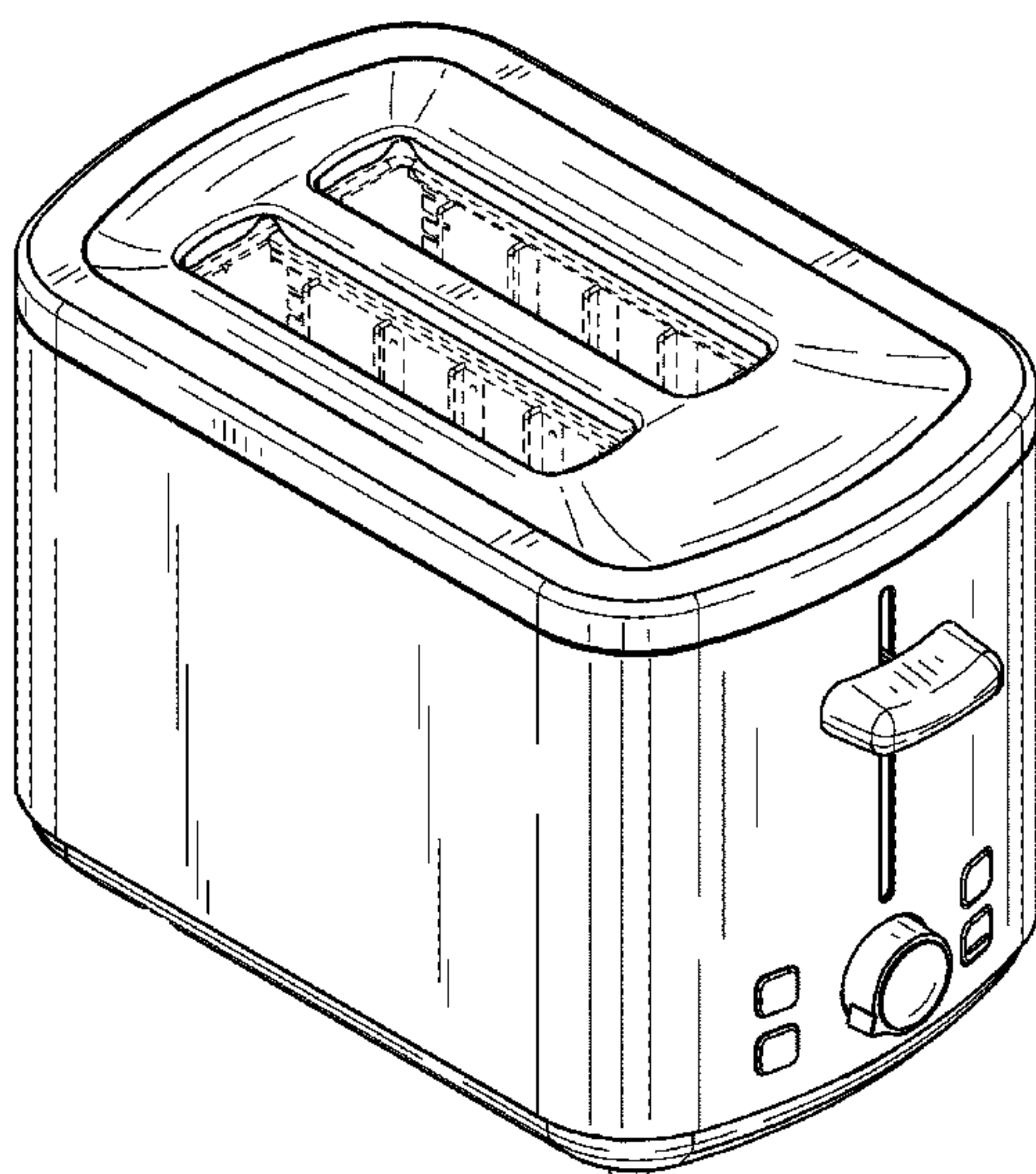
Primary Examiner — Ricky Pham
(74) *Attorney, Agent, or Firm* — Lempia Summerfield Katz LLC

(57) **CLAIM**
The ornamental design for a “toaster,” as shown and described.

DESCRIPTION

FIG. 1 is a top, front, and right side perspective view showing our new design for a toaster;
FIG. 2 is a top view of the toaster shown in FIG. 1;
FIG. 3 is a right side view of the toaster shown in FIG. 1;
FIG. 4 is a front view of the toaster shown in FIG. 1;
FIG. 5 is a rear view of the toaster shown in FIG. 1;
FIG. 6 is a left side view of the toaster shown in FIG. 1;
FIG. 7 is a bottom view of the toaster shown in FIG. 1;
FIG. 8 is a top, front, and right side perspective view showing an alternate embodiment of our new design for a toaster;
FIG. 9 a top view of the toaster shown in FIG. 8;
FIG. 10 is a right side view of the toaster shown in FIG. 8;
FIG. 11 is a front view of the toaster shown in FIG. 8;
FIG. 12 is a rear view of the toaster shown in FIG. 8;
FIG. 13 is a left side view of the toaster shown in FIG. 8;
FIG. 14 is a bottom view of the toaster shown in FIG. 8;
FIG. 15 is an enlarged cross-section taken along line 15-15 of FIG. 2 showing part of the toaster therein; and,
FIG. 16 is an enlarged cross-section taken along line 16-16 of FIG. 2 showing part of the toaster therein.
The subject matter shown in dashed lines are for illustrative purposes only and form no part of the claimed design.

1 Claim, 9 Drawing Sheets



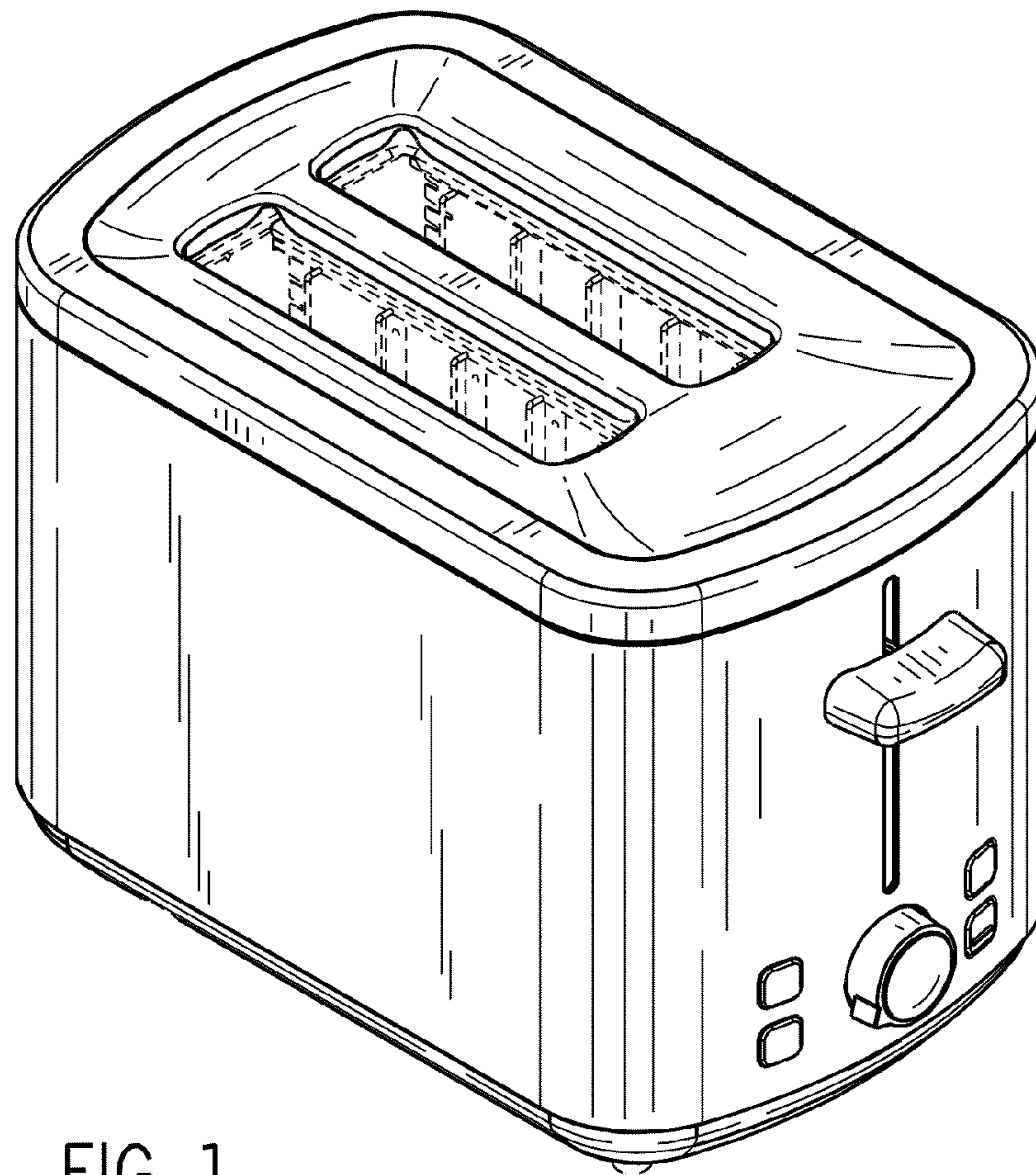


FIG. 1

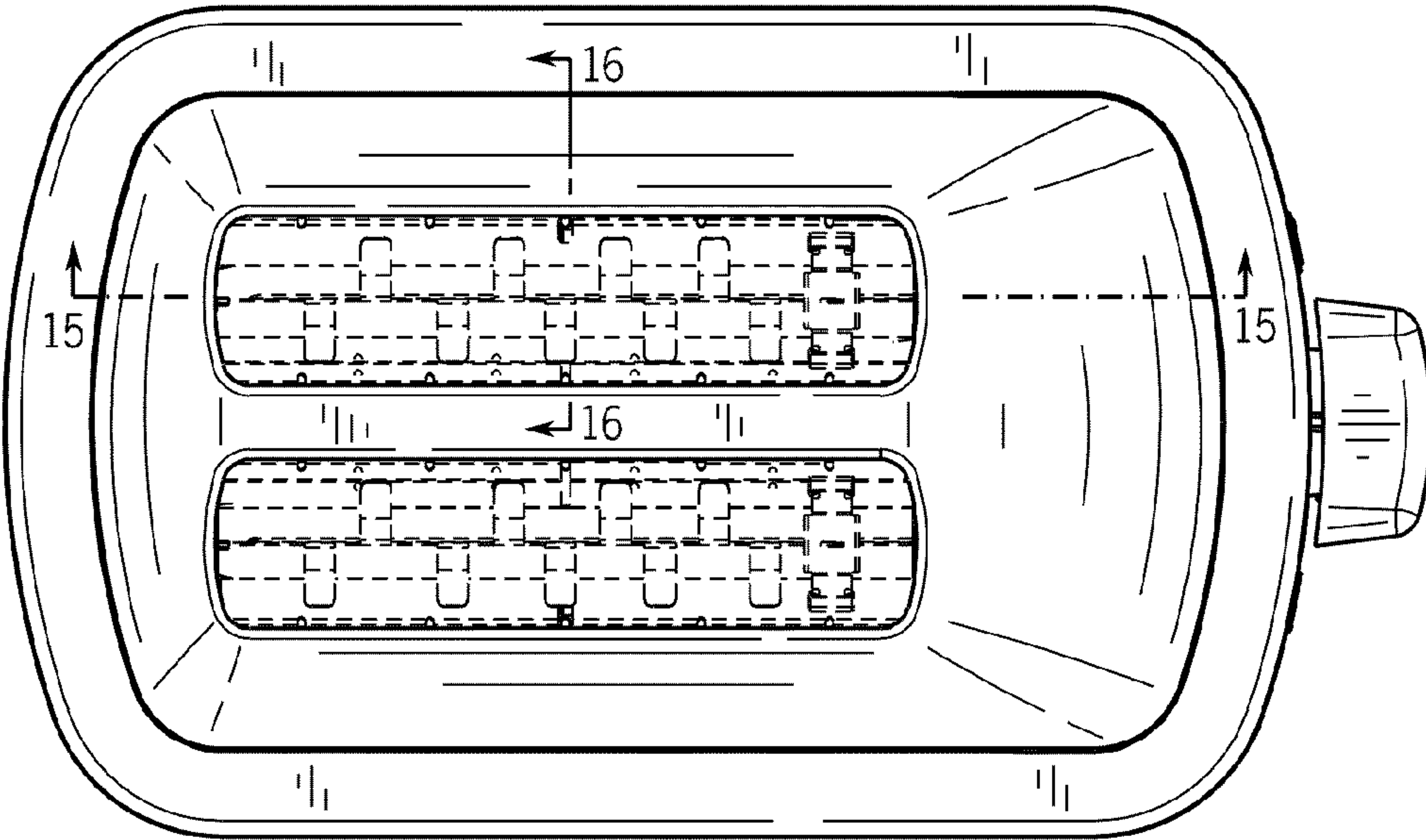


FIG. 2

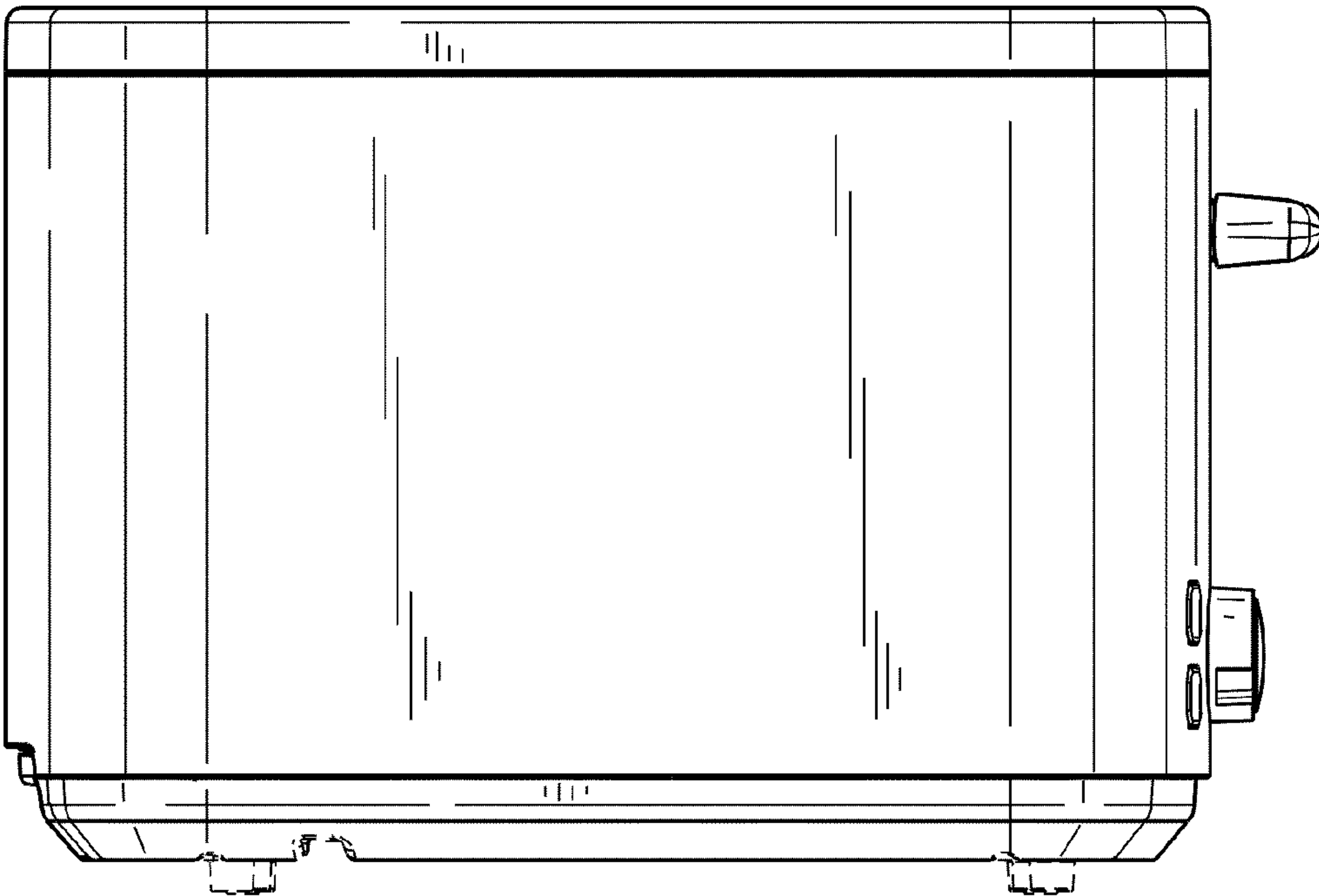


FIG. 3

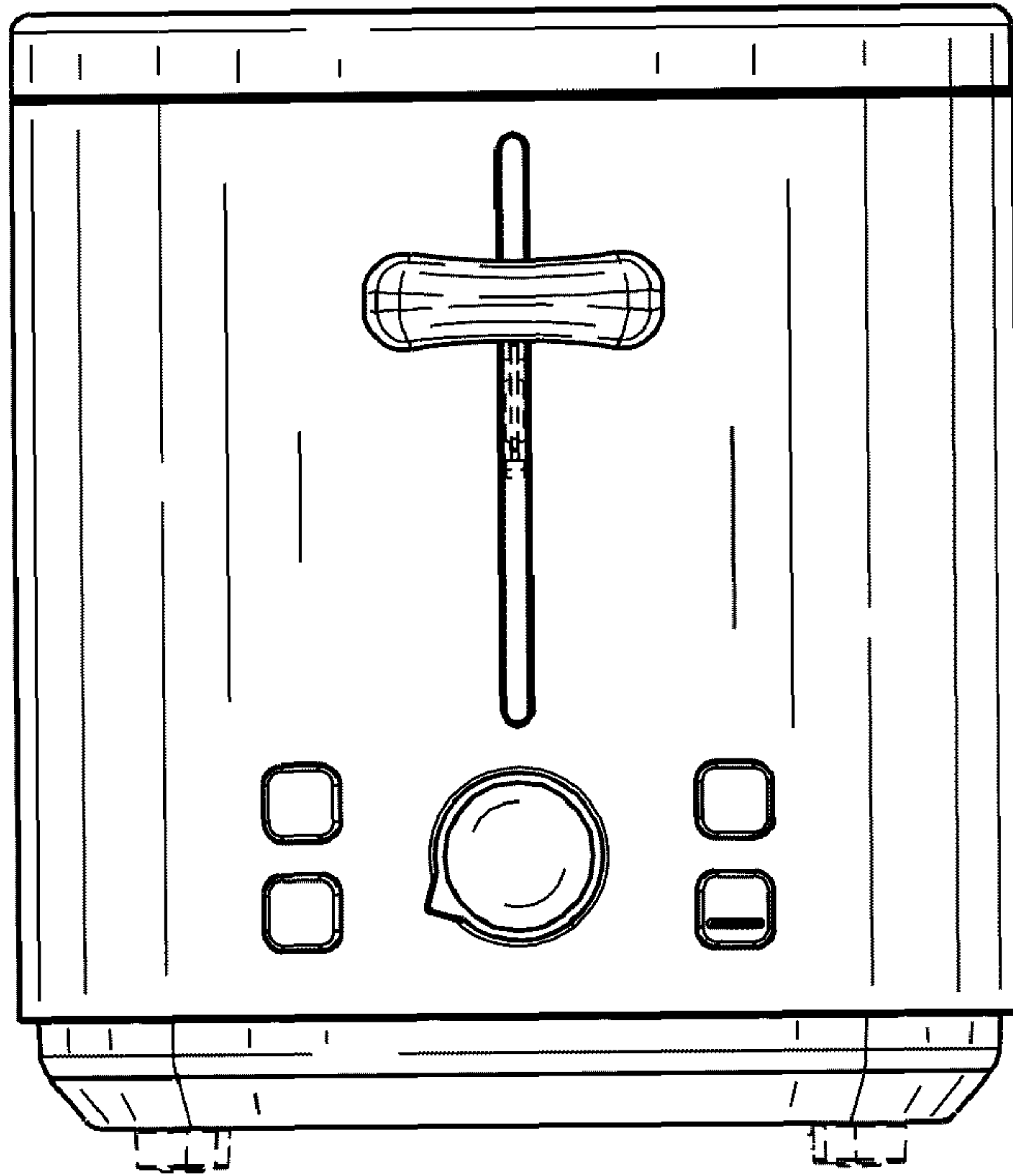


FIG. 4

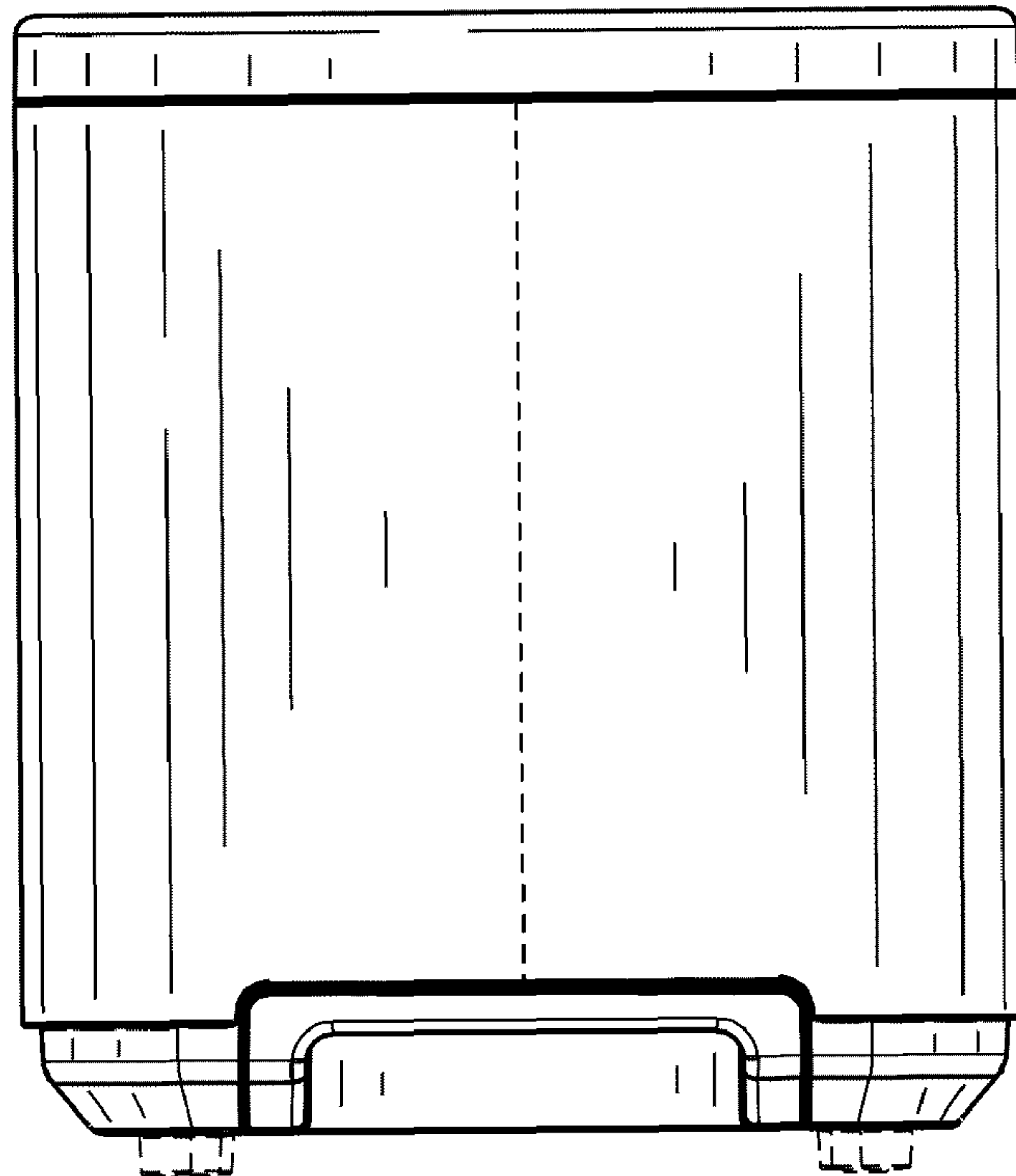


FIG. 5

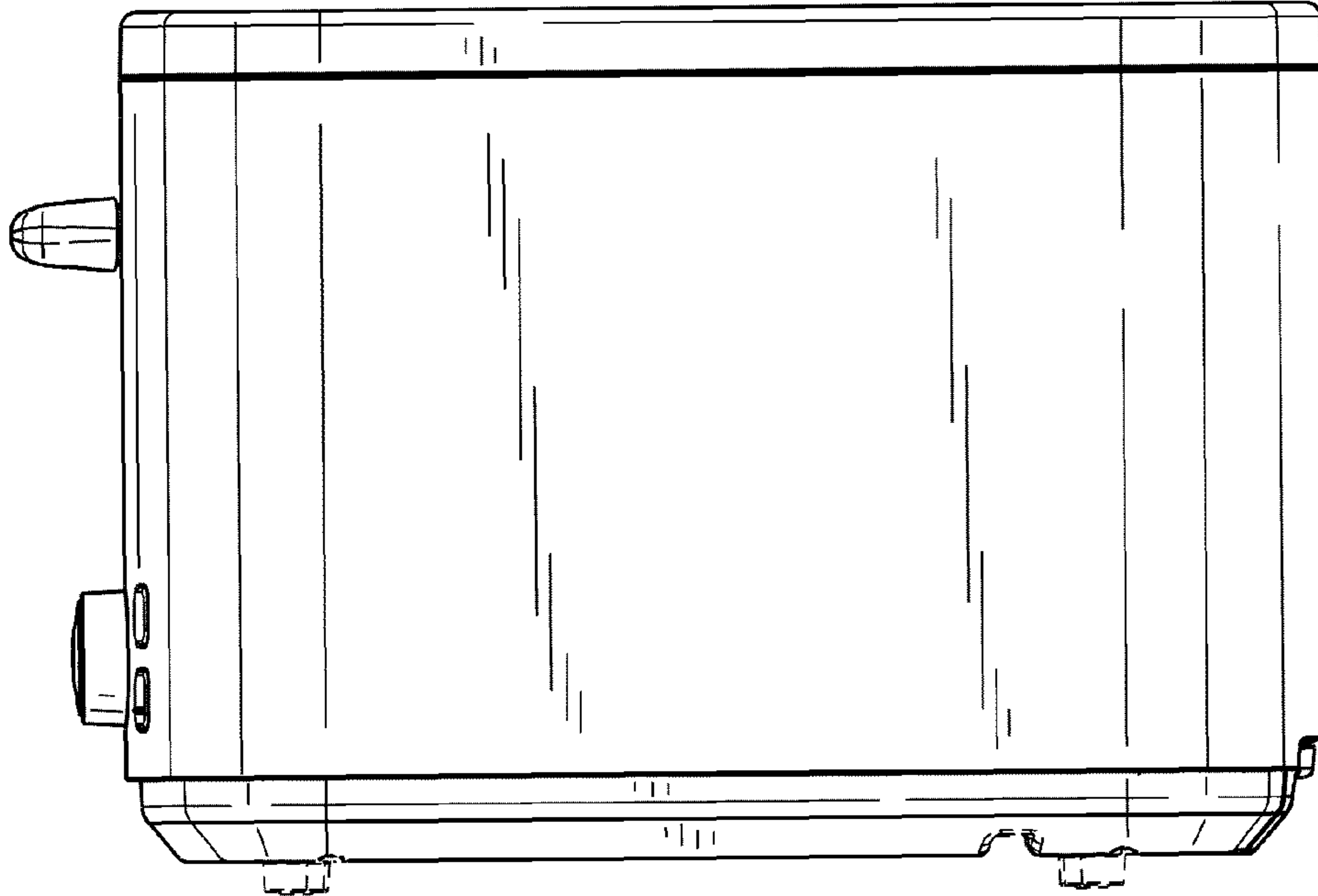


FIG. 6

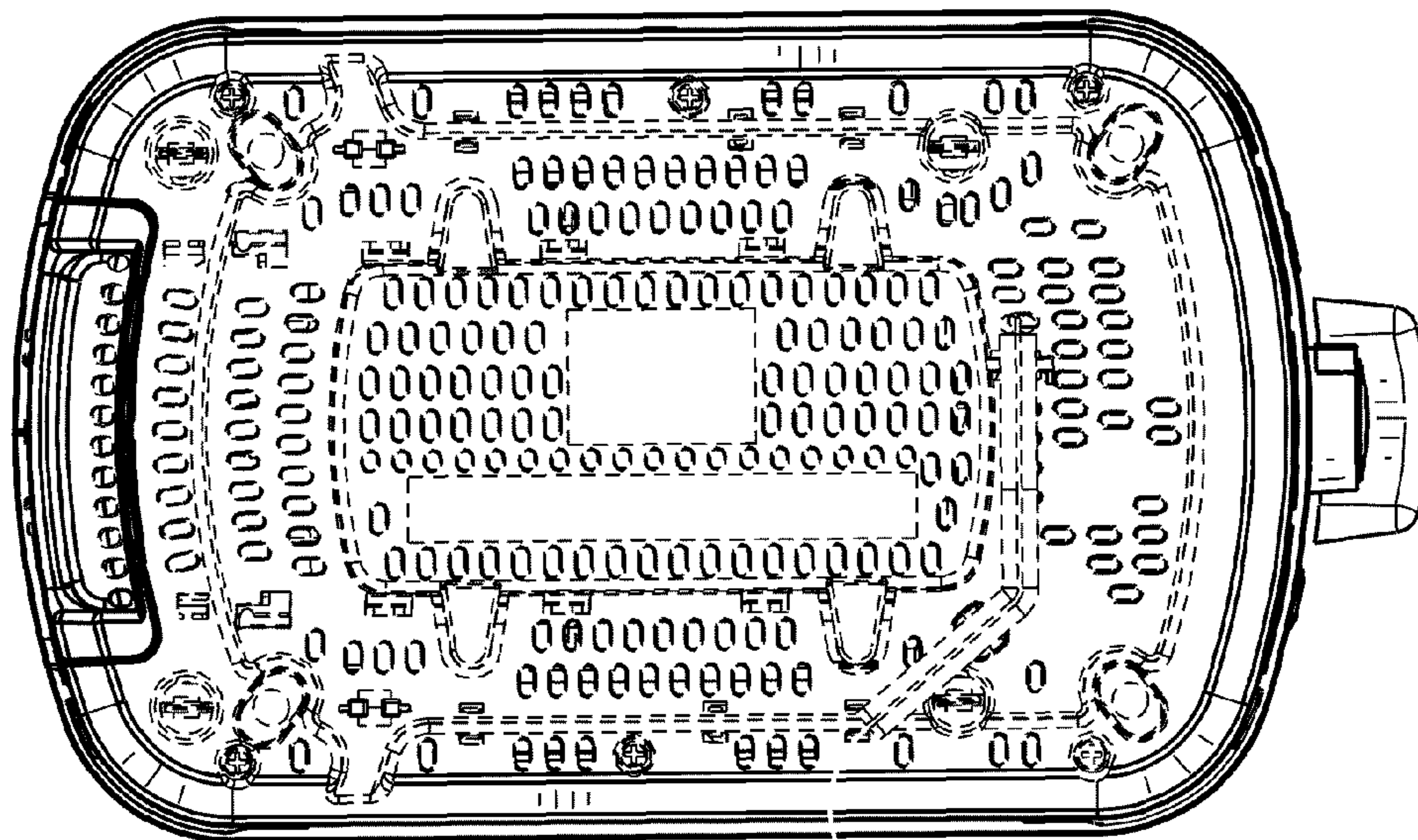


FIG. 7

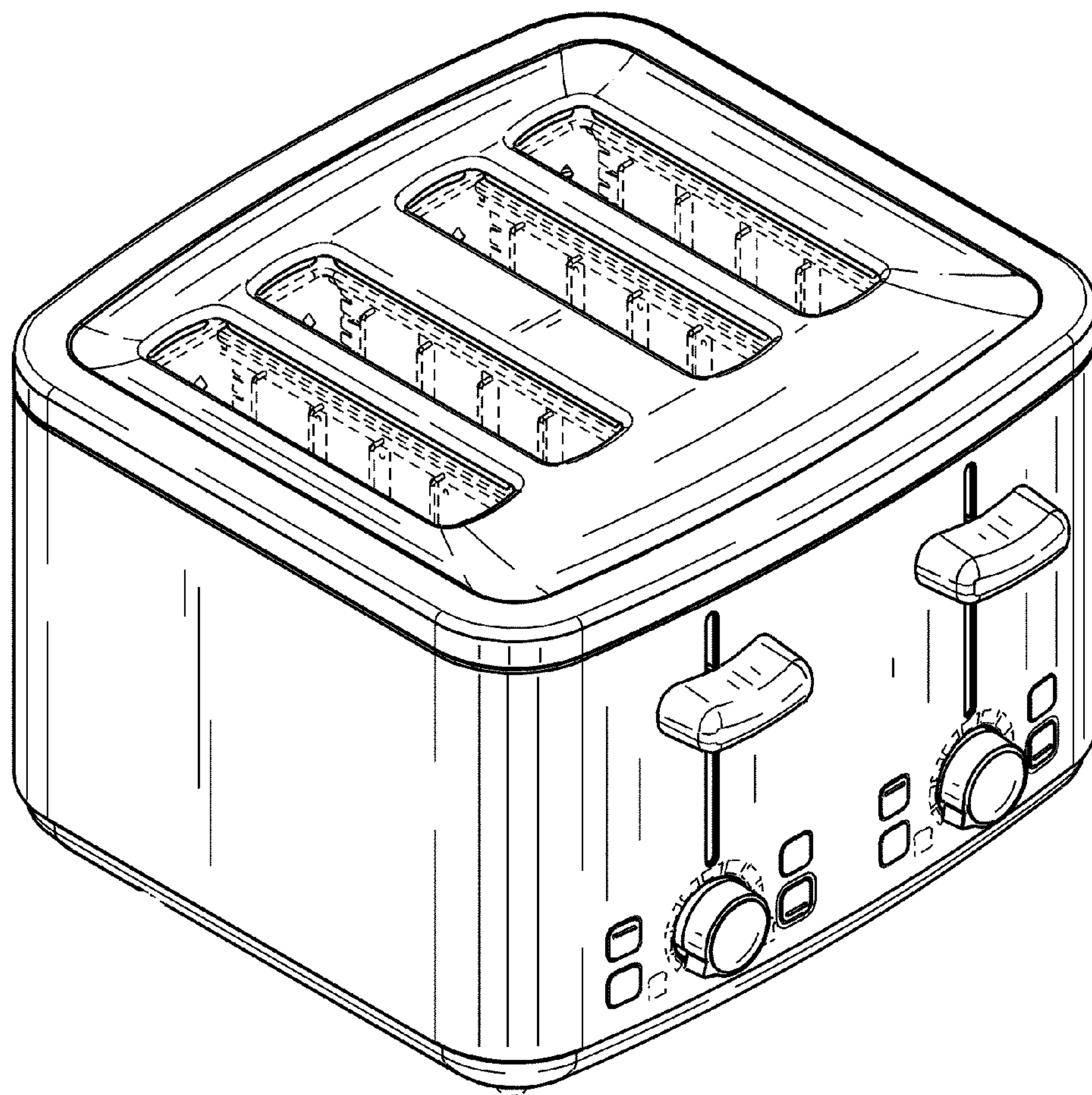


FIG. 8

FIG. 9

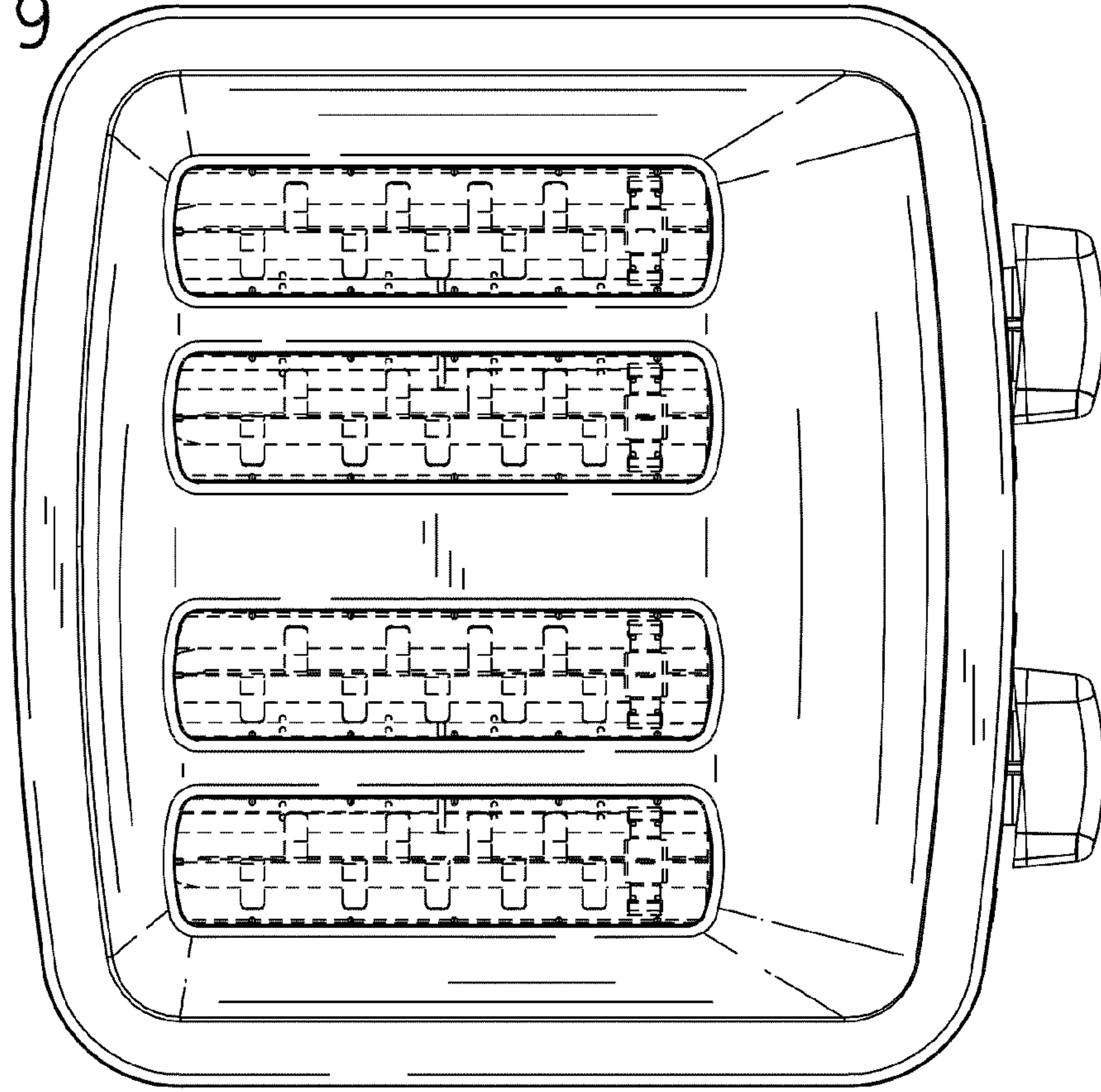
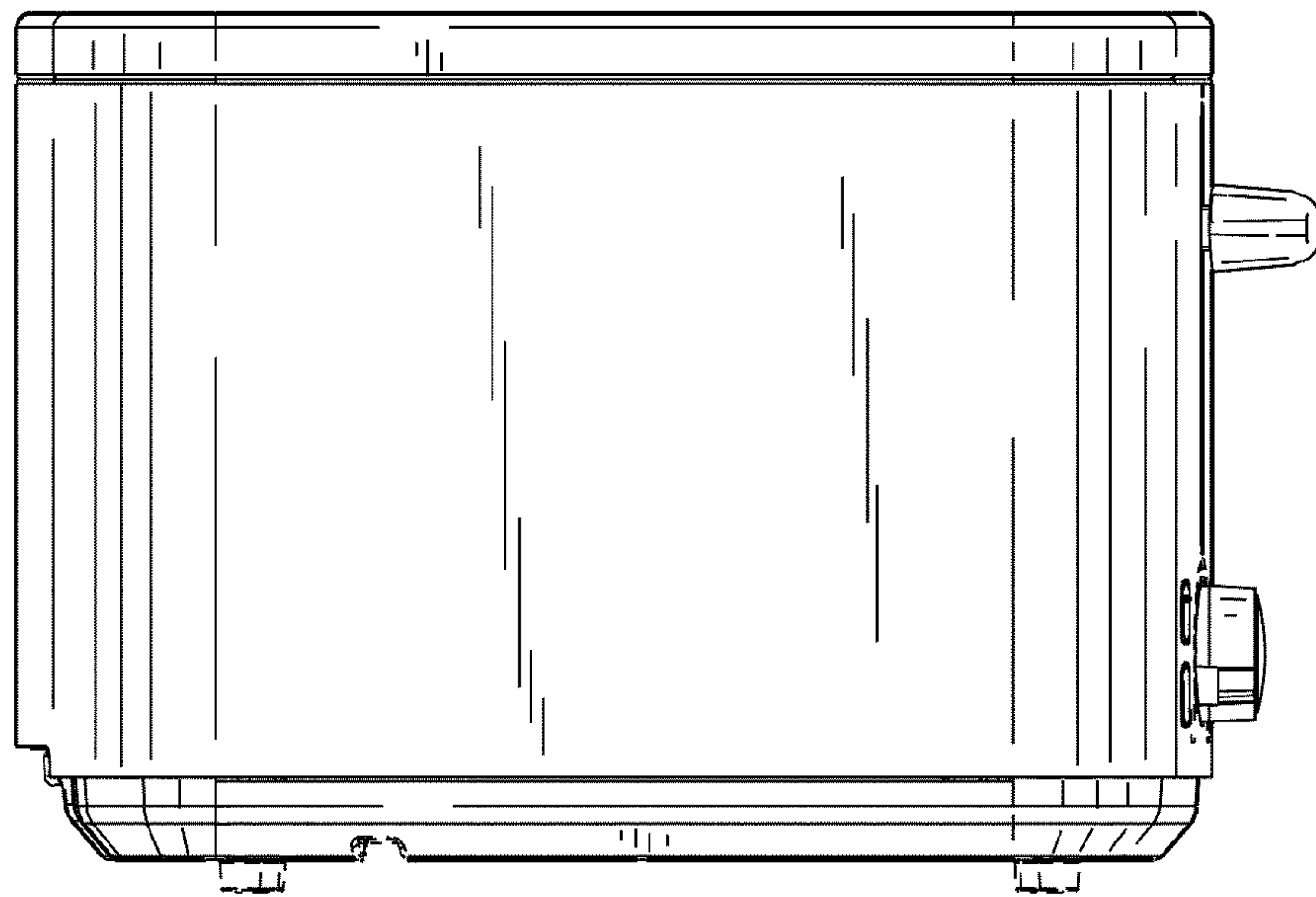


FIG. 10



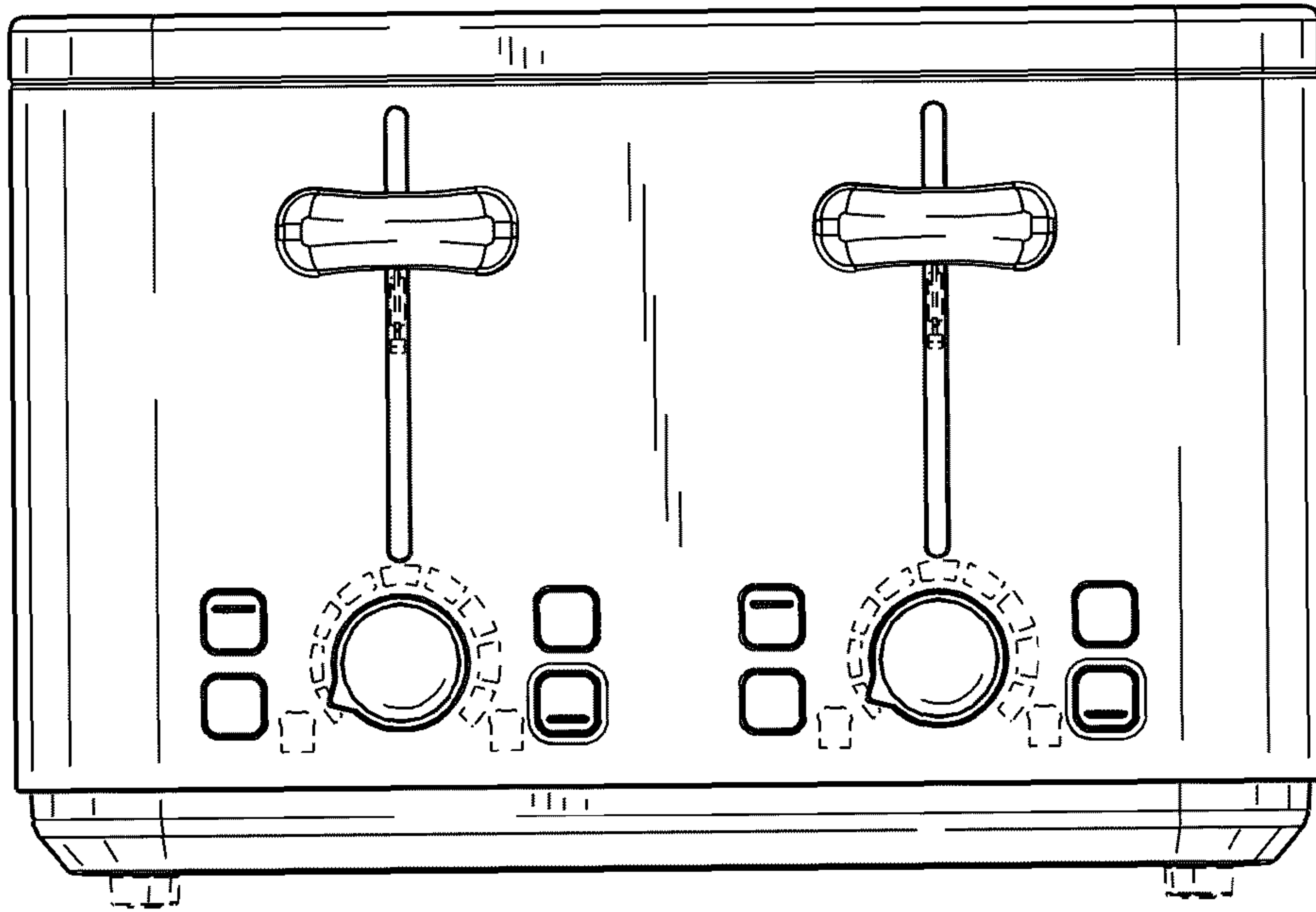


FIG. 11

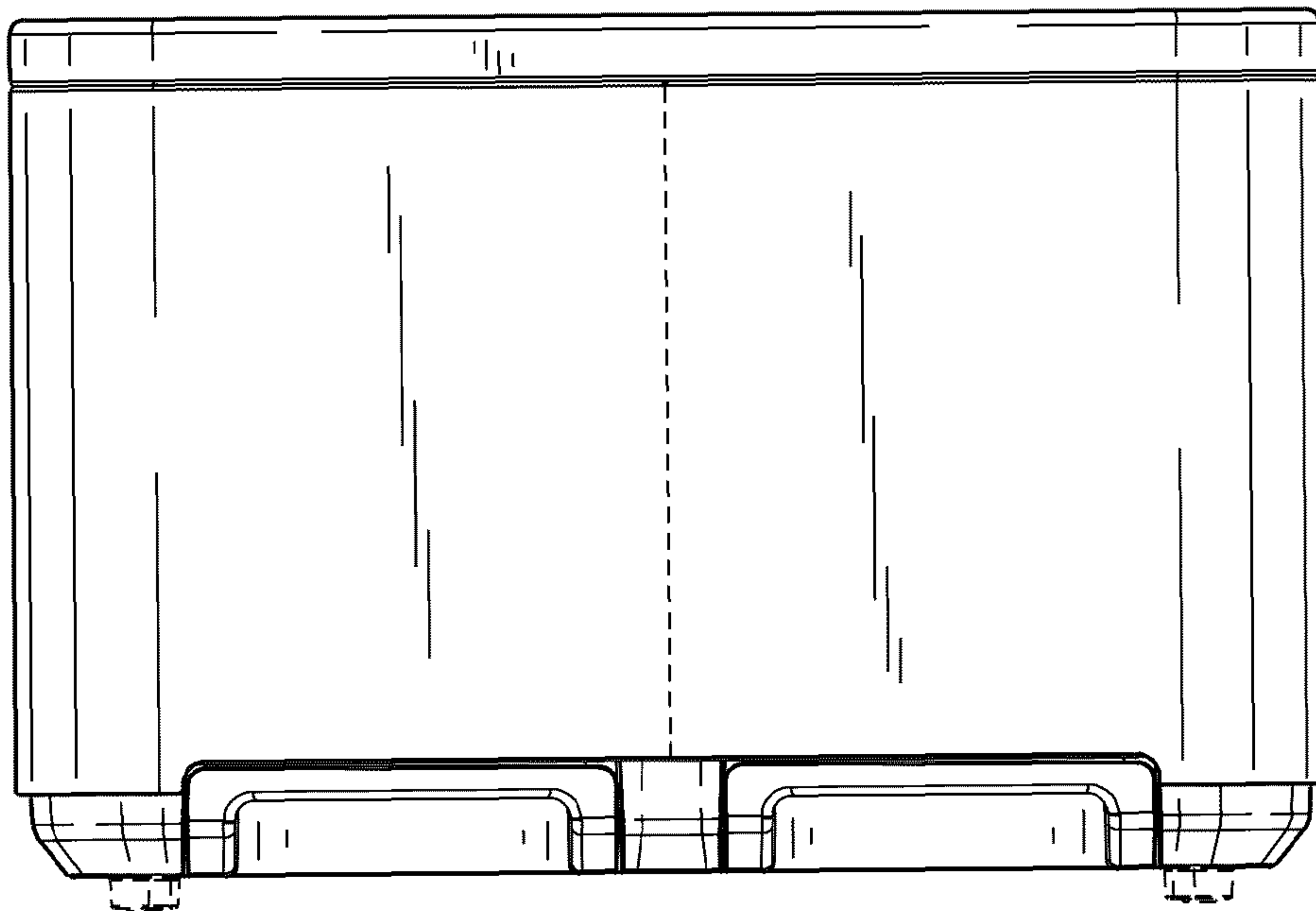


FIG. 12

FIG. 13

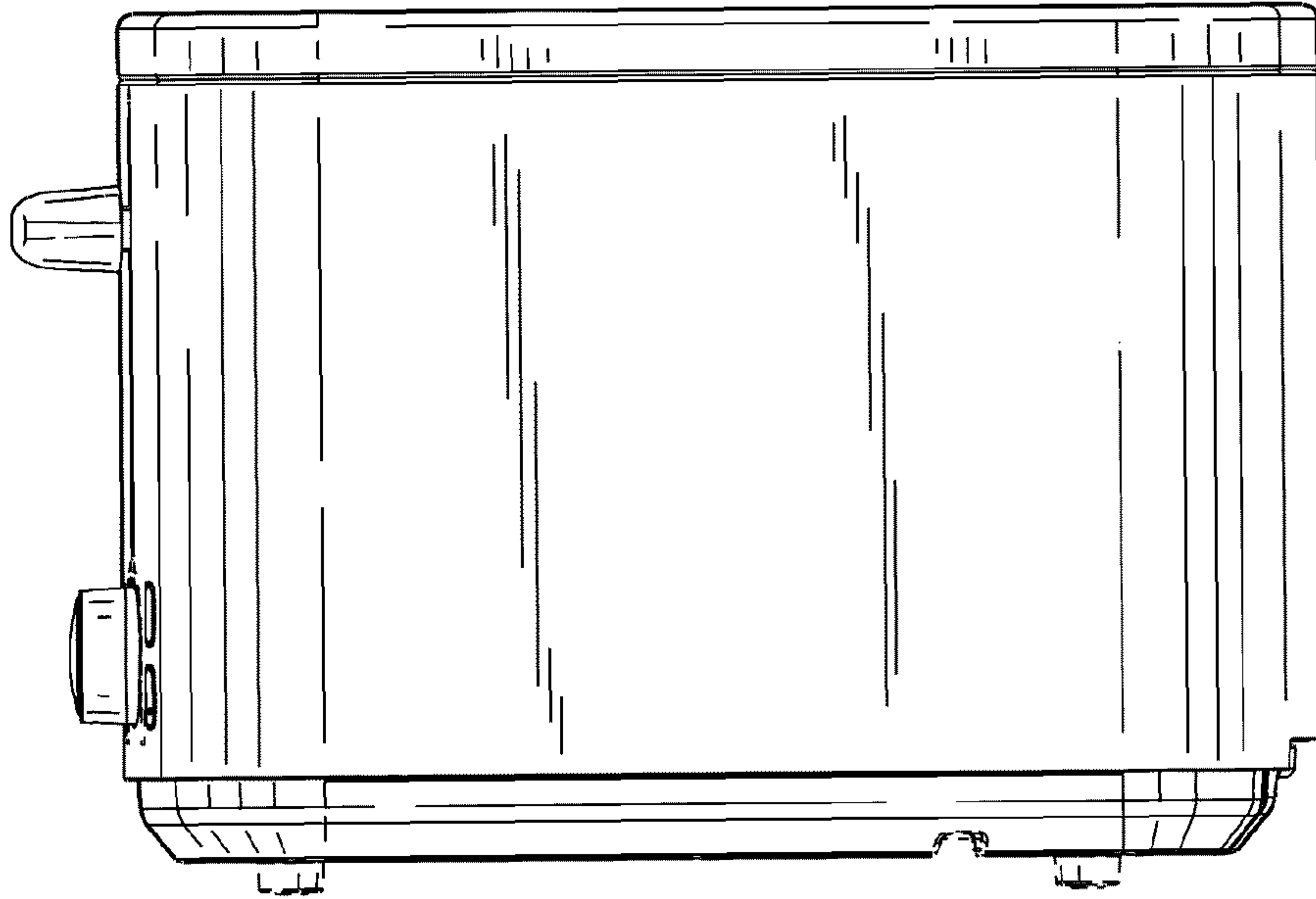
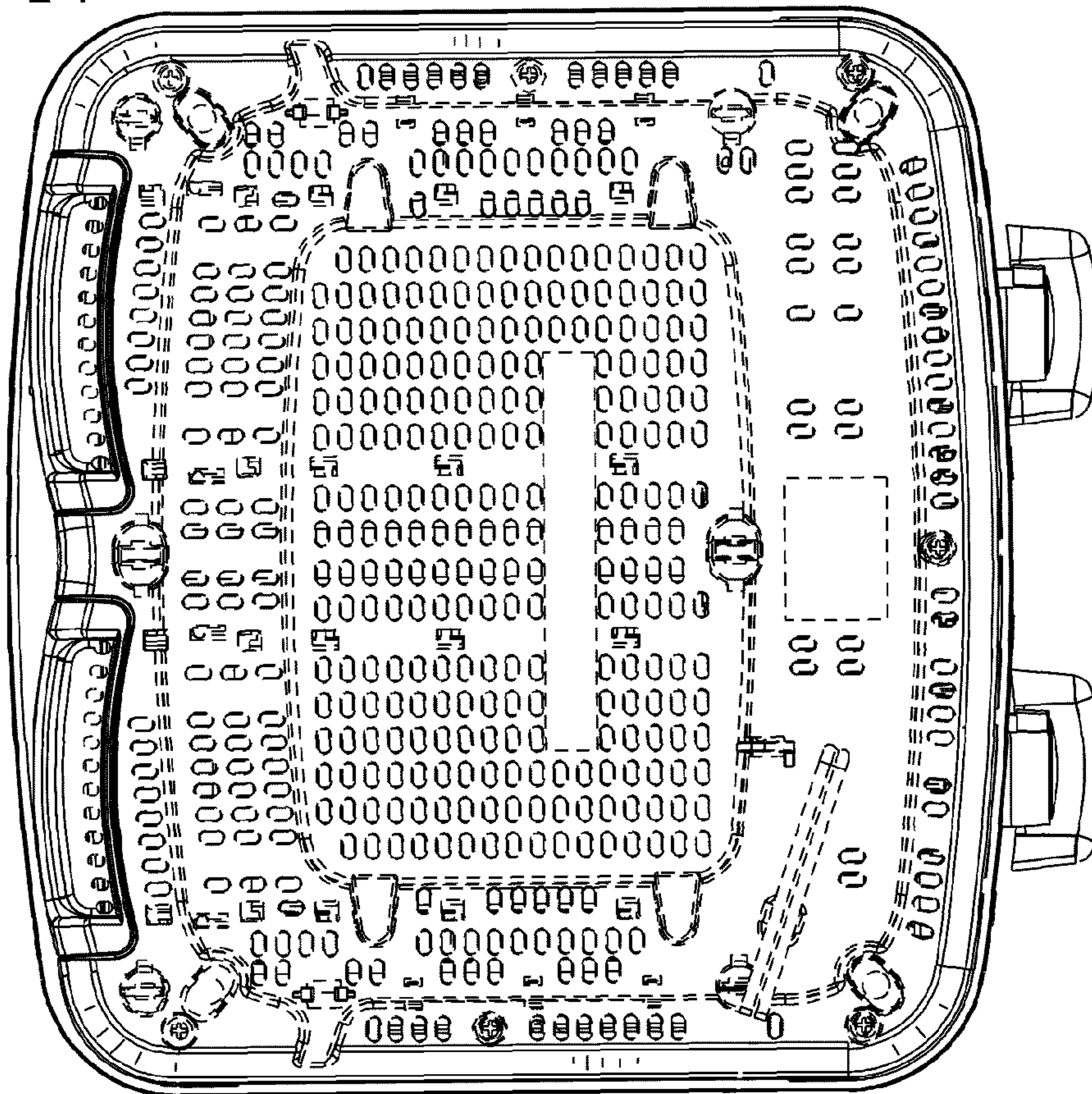


FIG. 14



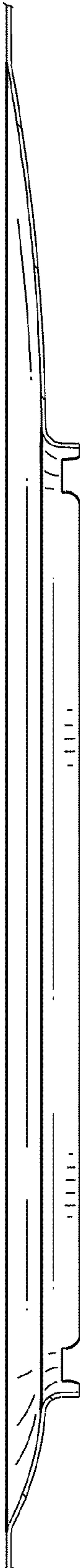


FIG. 15

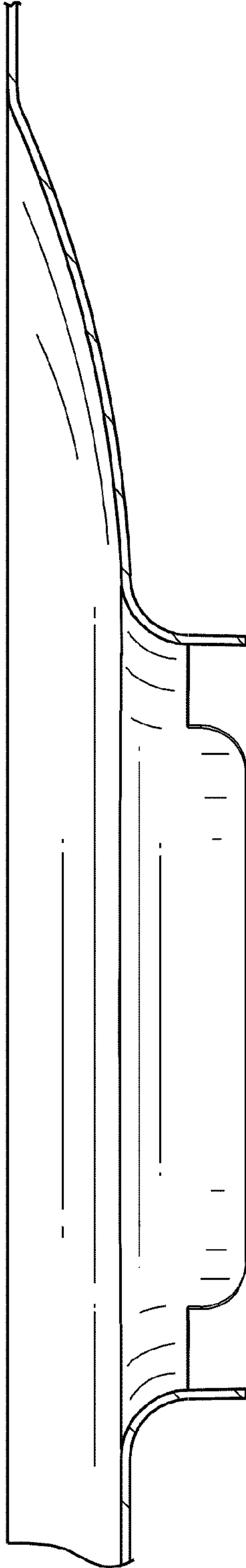


FIG. 16