



US00D644470S

(12) **United States Design Patent**  
**Hashimoto**

(10) **Patent No.:** **US D644,470 S**

(45) **Date of Patent:** **\*\* Sep. 6, 2011**

(54) **WALL-MOUNTED DECORATIVE ARTICLE HOLDER**

(75) Inventor: **Masaki Hashimoto**, Ibaraki (JP)

(73) Assignee: **Suntory Holdings Limited**, Osaka (JP)

(\*\*) Term: **14 Years**

(21) Appl. No.: **29/361,152**

(22) Filed: **May 6, 2010**

(30) **Foreign Application Priority Data**

Nov. 10, 2009 (JP) ..... 2009-026252

(51) **LOC (9) Cl.** ..... **11-02**

(52) **U.S. Cl.** ..... **D6/556**

(58) **Field of Classification Search** ..... D6/403-405,  
D6/556-558; D8/1; D11/143-156, 164;  
D19/77, 80, 81, 84; D25/100; D26/9-11,  
D26/16, 19; D34/1, 2, 4-6; D99/5, 19; 47/17,  
47/32.4, 32.5, 32.7, 33, 39, 41.01, 41.1, 41.11-41.15,  
47/44-47, 65, 65.5, 65.9, 66.1, 66.2, 66.6,  
47/66.7, 67-71

See application file for complete search history.

(56) **References Cited**

**U.S. PATENT DOCUMENTS**

1,096,927	A *	5/1914	Kuhn	.....	D11/155
2,830,405	A *	4/1958	Nydegger	.....	D11/155
D320,952	S *	10/1991	Lang	.....	D11/145
D350,418	S *	9/1994	Ross	.....	D11/145
D357,210	S *	4/1995	Tomlinson et al.	.....	D11/156
D371,088	S *	6/1996	Vollick	.....	D11/145
D388,361	S *	12/1997	Krieger	.....	D11/164
D397,523	S *	8/1998	Ray	.....	D11/145
D533,108	S *	12/2006	Nass	.....	D11/155
D623,983	S *	9/2010	Hashimoto	.....	D11/131
D624,335	S *	9/2010	Lutz et al.	.....	D6/403

**FOREIGN PATENT DOCUMENTS**

JP 3146317 10/2008

**OTHER PUBLICATIONS**

U.S. Appl. No. 29/350,579 to Hashimoto, which was filed on Nov. 19, 2009.

U.S. Appl. No. 29/361,142 to Hashimoto, which was filed on May 6, 2010.

\* cited by examiner

*Primary Examiner* — Garth Rademaker

(74) *Attorney, Agent, or Firm* — Greenblum & Bernstein P.L.C.

(57) **CLAIM**

The ornamental design for an a wall-mounted decorative article holder, as shown and described.

**DESCRIPTION**

FIG. 1 is a front elevation view of wall-mounted decorative article holder showing my new design;  
FIG. 2 is a rear elevation view thereof;  
FIG. 3 is a left side elevation view thereof, the right side elevation view being a mirror image thereof;  
FIG. 4 is a top plan view thereof;  
FIG. 5 is a bottom view thereof;  
FIG. 6 is a front, top, right side perspective view thereof;  
FIG. 7 is a rear, top, right side perspective view thereof; and,  
FIG. 8 is a cross-sectional view thereof, taken on line 8-8 of FIG. 1.

The wall-mounted plant holder is for use in decoration of an indoor or outdoor wall surface with a foliage plant, a natural flower or an artificial flower being exposed to the outside through an opening in the front portion of the frame.

The broken lines shown in FIGS. 4 and 5 form no part of the claimed design.

**1 Claim, 8 Drawing Sheets**

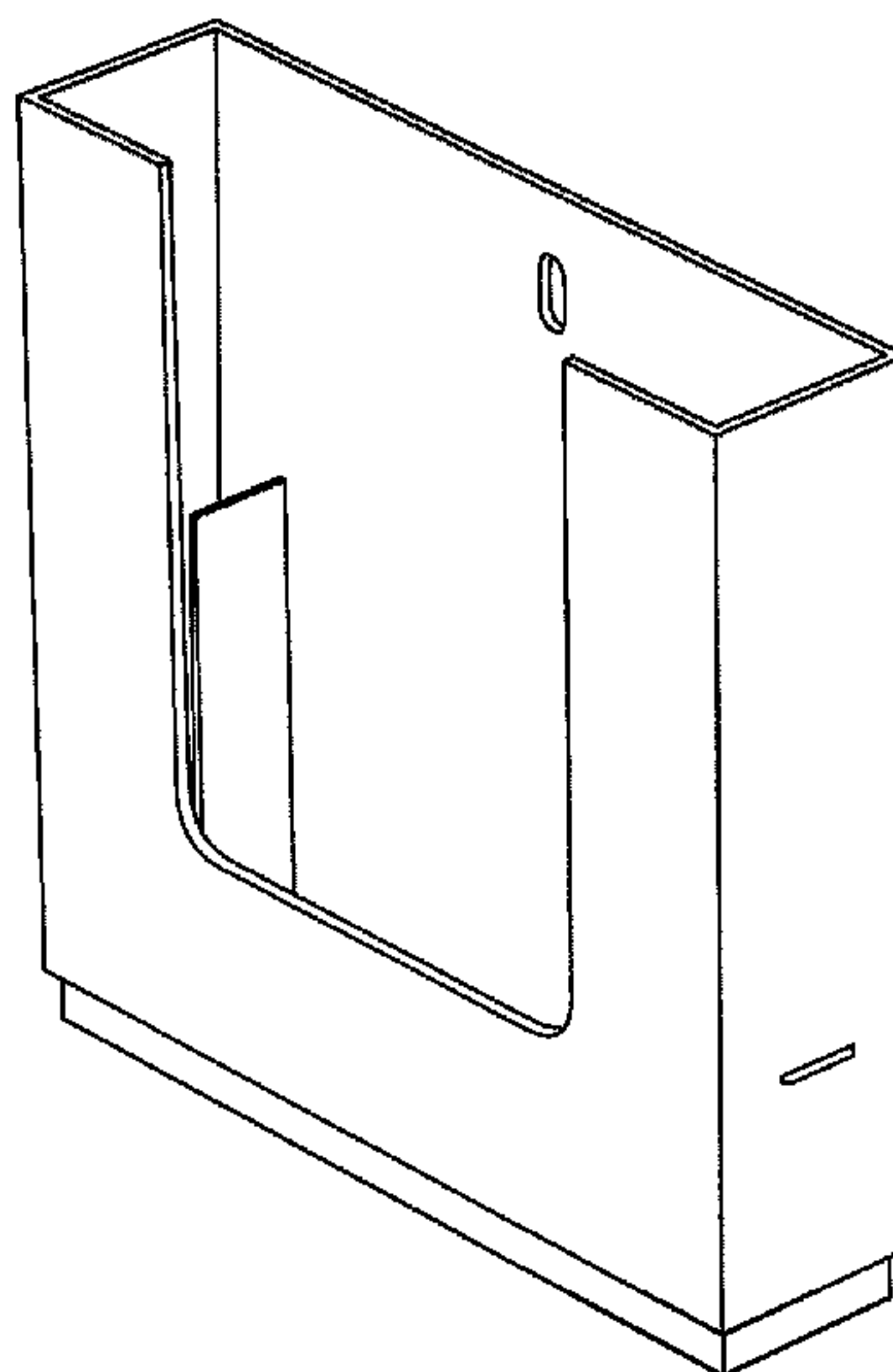
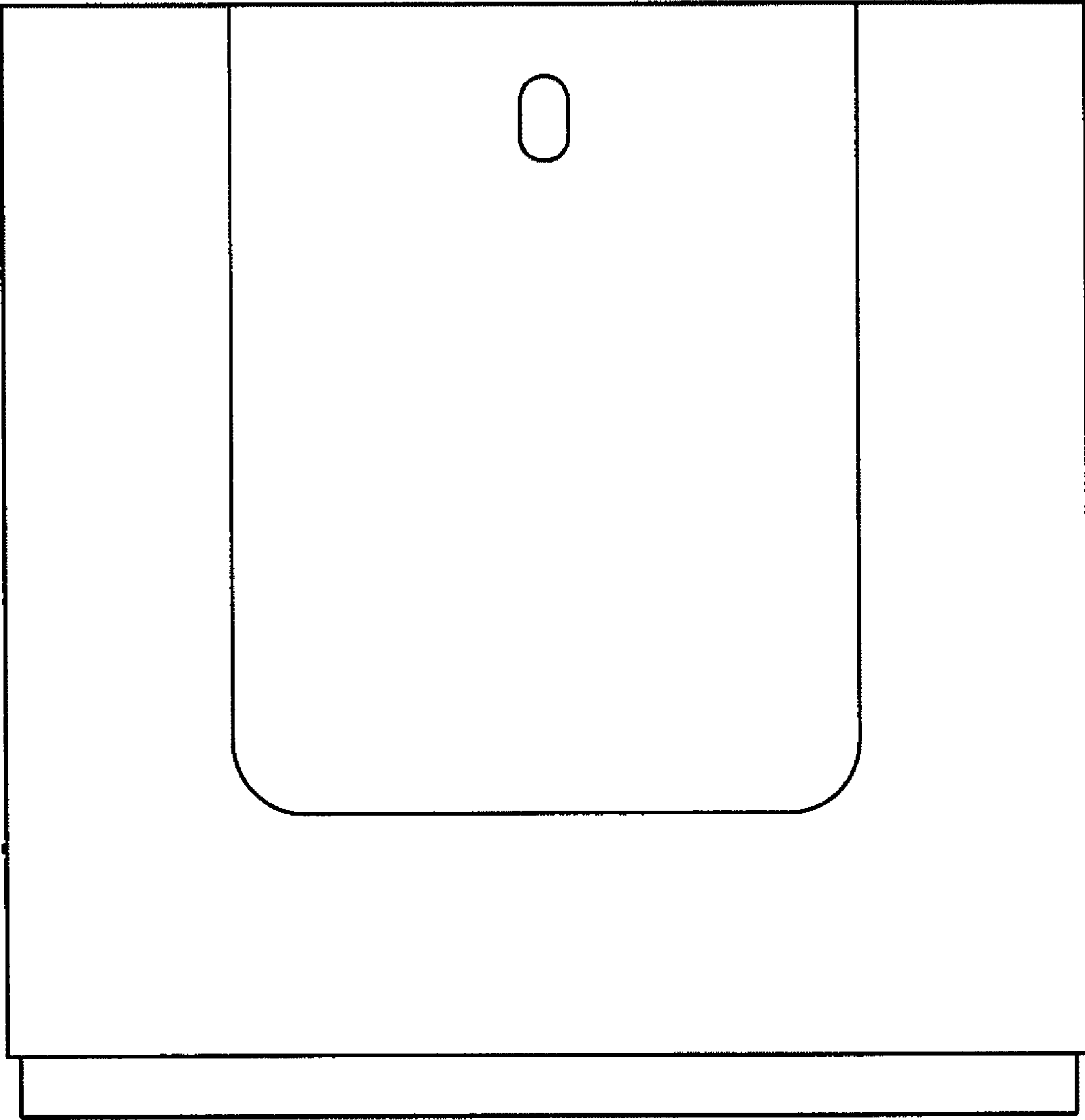


Fig. 1

8



8

F i g . 2

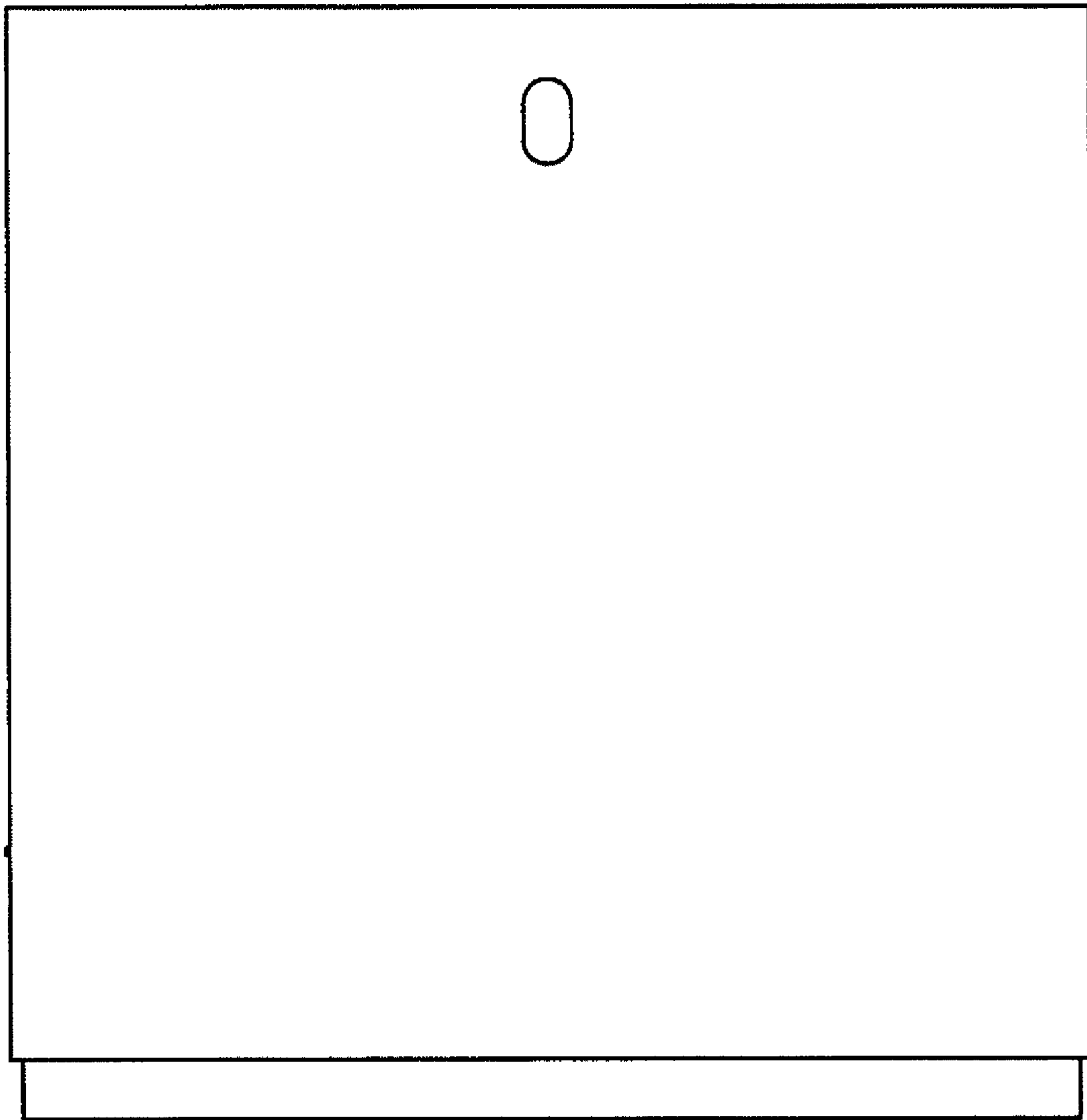
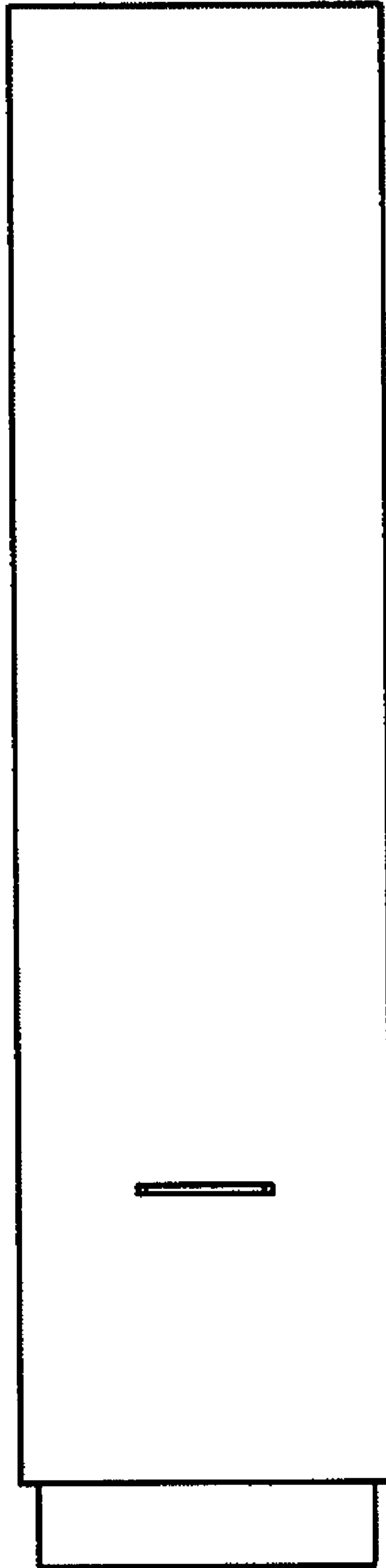


Fig. 3



F i g . 4



Fig. 5

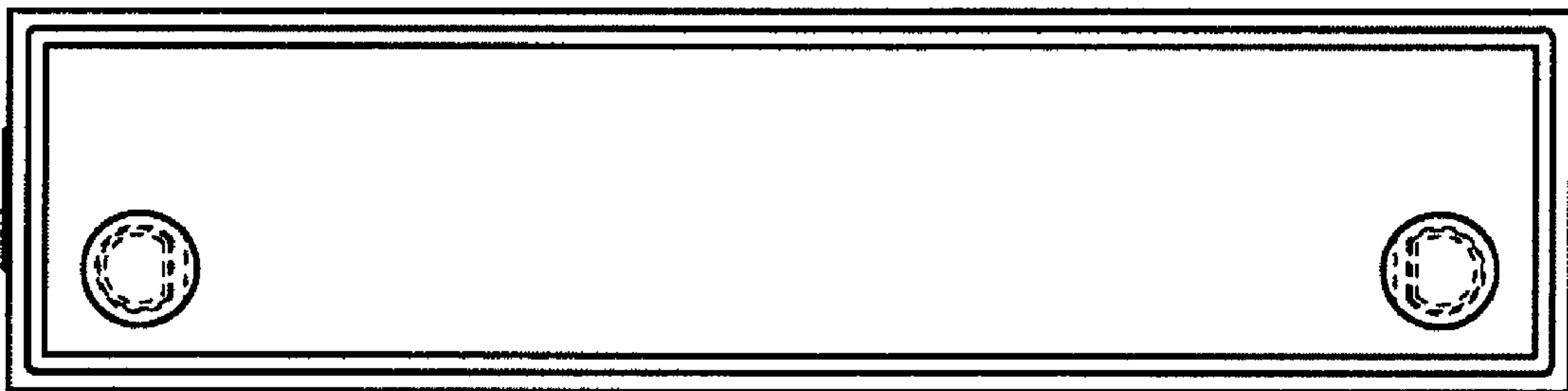
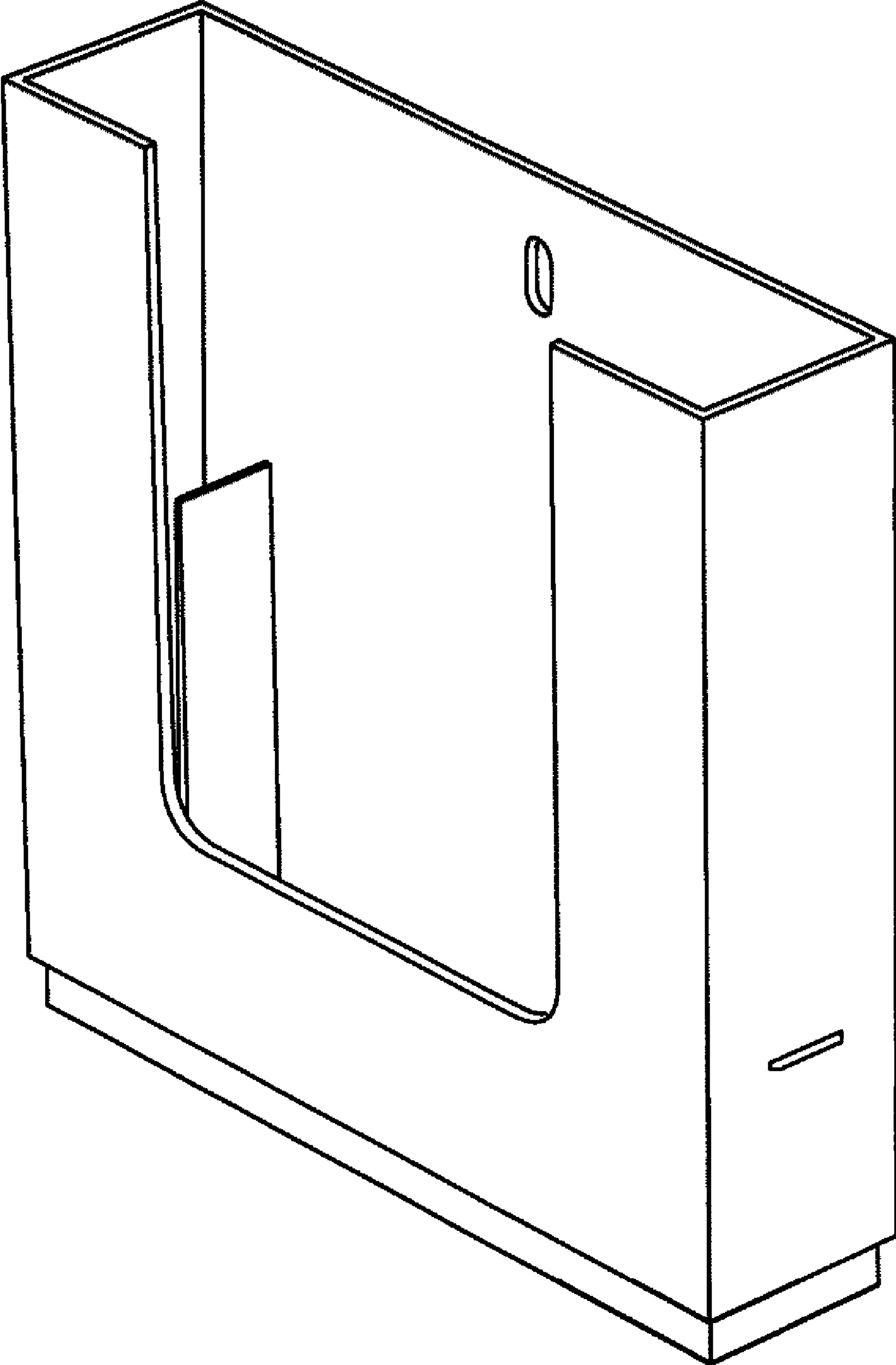


Fig. 6



F i g . 7

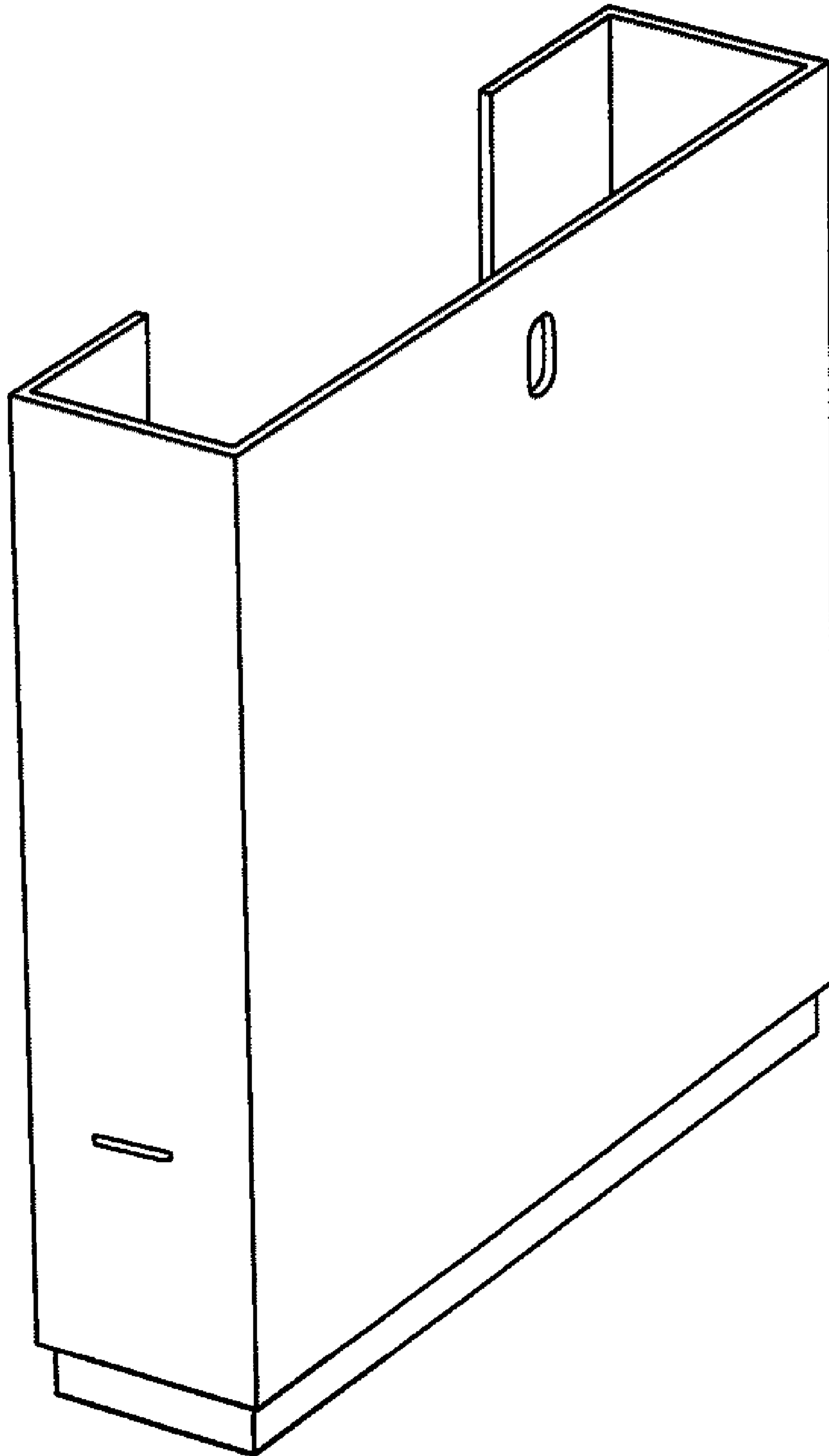




Fig. 8

