



US00D644469S

(12) **United States Design Patent**
Kraemer

(10) **Patent No.:** **US D644,469 S**

(45) **Date of Patent:** **** *Sep. 6, 2011**

(54) **LOTION PUMP**

(75) Inventor: **Kevin Kraemer**, Cuyahoga Falls, OH
(US)

(73) Assignee: **InterDesign, Inc.**, Solon, OH (US)

(*) Notice: This patent is subject to a terminal disclaimer.

(**) Term: **14 Years**

(21) Appl. No.: **29/372,206**

(22) Filed: **Oct. 28, 2010**

(51) **LOC (9) Cl.** **23-02**

(52) **U.S. Cl.** **D6/542**

(58) **Field of Classification Search** D6/542-545;
D9/682, 686, 688-691, 516, 549, 448, 435;
221/282; 222/14, 173, 146.3, 628, 251, 181.1,
222/181.3

See application file for complete search history.

(56) **References Cited**

U.S. PATENT DOCUMENTS

D477,778 S	7/2003	Dretzka	
D477,990 S *	8/2003	Dretzka D9/692
D477,991 S	8/2003	Dretzka	
D480,642 S	10/2003	Dretzka	
D480,643 S	10/2003	Dretzka	
D484,039 S	12/2003	Dretzka	
D484,401 S	12/2003	Dretzka	
D486,336 S	2/2004	Snell	
D488,716 S	4/2004	Dretzka	
D489,617 S	5/2004	Snell	
D496,262 S	9/2004	Dretzka	
D525,534 S	7/2006	Snell	
D530,954 S *	10/2006	Snell D6/542
D531,843 S	11/2006	Snell	
D531,844 S	11/2006	Snell	
D537,360 S	2/2007	Snell	
D537,361 S *	2/2007	Dretzka D9/690
D538,092 S	3/2007	Snell	

D538,177 S *	3/2007	Dretzka D9/690
D551,087 S	9/2007	Snell	
D554,410 S	11/2007	Snell	
D559,600 S	1/2008	Snell	
D563,704 S	3/2008	Snell	
D578,814 S	10/2008	Dretzka	
D581,193 S *	11/2008	Ghiorghie D6/542
D595,522 S *	7/2009	Snell D6/542
D599,597 S *	9/2009	Dretzka D6/542
D599,598 S *	9/2009	Ghiorghie D6/542
D599,599 S	9/2009	Ghiorghie	
D619,397 S *	7/2010	Snell D6/542

OTHER PUBLICATIONS

InterDesign, Inc. Product Brochure—Bath, p. 6.
InterDesign, Inc. Product Brochure—2000, p. 4, 5.
InterDesign, Inc. Product Brochure—2001, pp. 12, 13.
InterDesign, Inc. Product Brochure—2003, pp. 5, 6, 9, 10, 14, 15, 16,
17, 20, 21, 22, 23, 29, 43, 46.

(Continued)

Primary Examiner — Brian N Vinson
(74) *Attorney, Agent, or Firm* — D. Peter Hochberg; Sean F.
Mellino; Daniel J. Smola

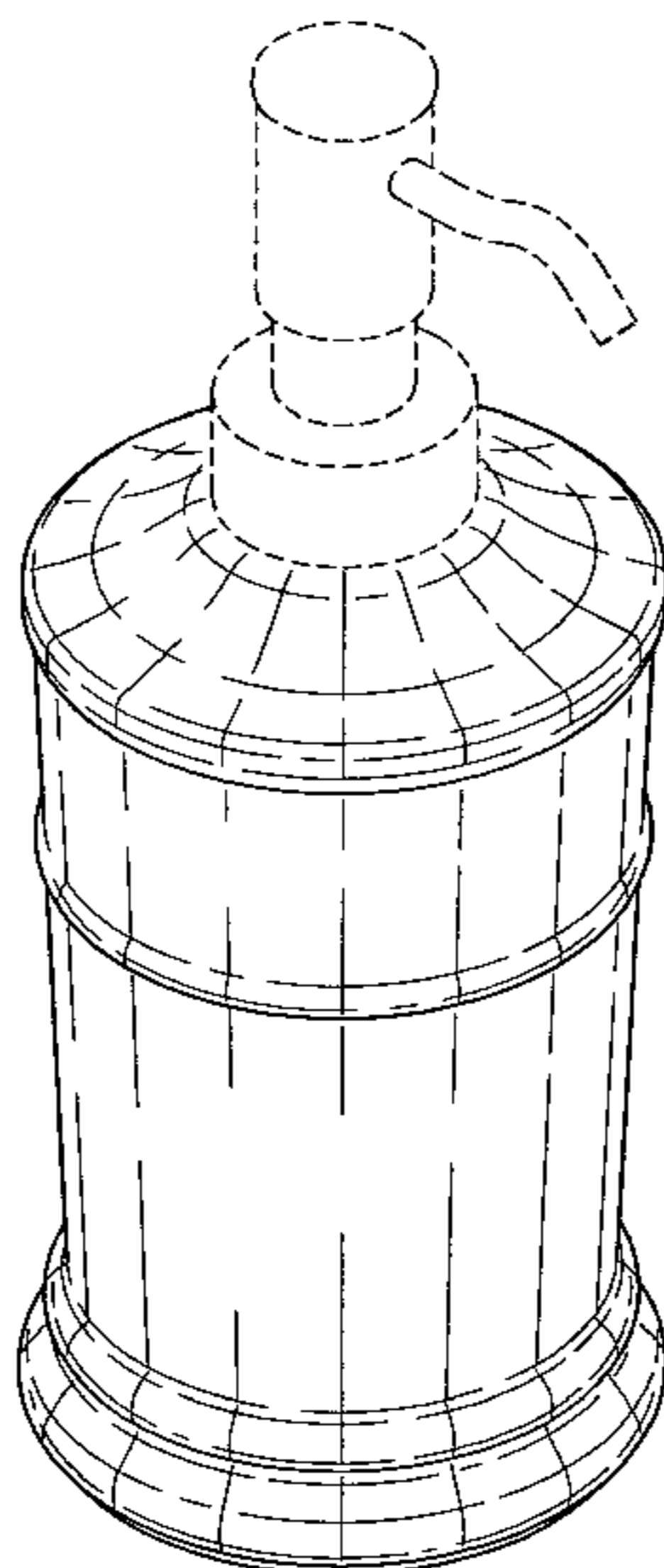
(57) **CLAIM**

The ornamental design for a lotion pump, as shown and described.

DESCRIPTION

FIG. 1 is a top, front, and left side perspective view of a lotion pump showing my new design;
FIG. 2 is a top plan view thereof;
FIG. 3 is a left side elevational view thereof;
FIG. 4 is a front elevational view thereof;
FIG. 5 is a right side elevational view thereof;
FIG. 6 is a rear elevational view thereof; and,
FIG. 7 is a bottom plan view thereof.
The broken-line disclosure in the views represents portions of the article in which the claimed design is embodied, but which form no part of the claimed design.

1 Claim, 3 Drawing Sheets



OTHER PUBLICATIONS

InterDesign, Inc. Product Brochure—2004, pp. 4, 6, 12, 20, 22, 27, 28, 29.

InterDesign, Inc. Product Brochure—2005, pp. 6, 32, 38.

InterDesign, Inc. Product Brochure—2006, pp. 2, 3, 4, 6.

InterDesign, Inc. Product Brochure—2007, pp. 2, 3, 4, 5, 12, 53, 54.

InterDesign, Inc. Product Brochure—2008, pp. 28, 29, 31, 37.

InterDesign, Inc. Product Brochure—2009, pp. 3, 4, 5, 8, 67, 69.

* cited by examiner

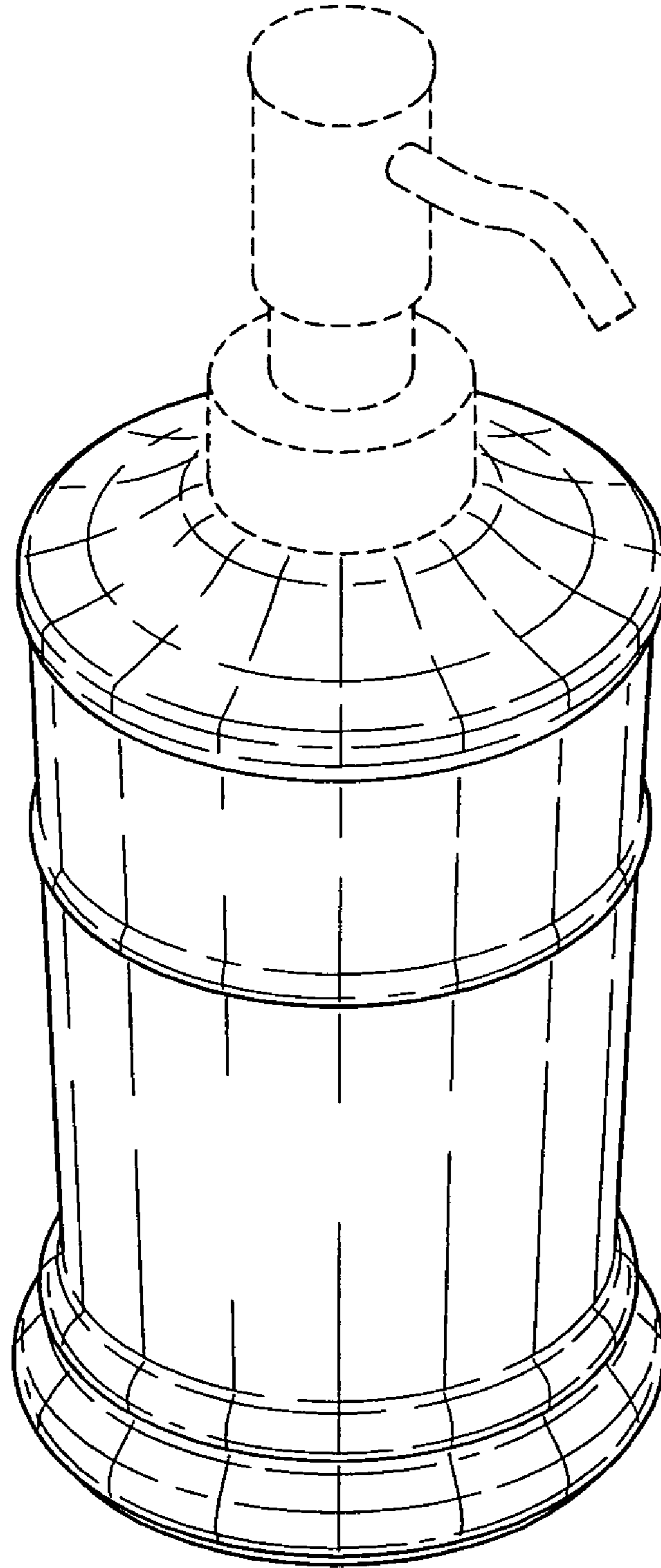


FIG-1

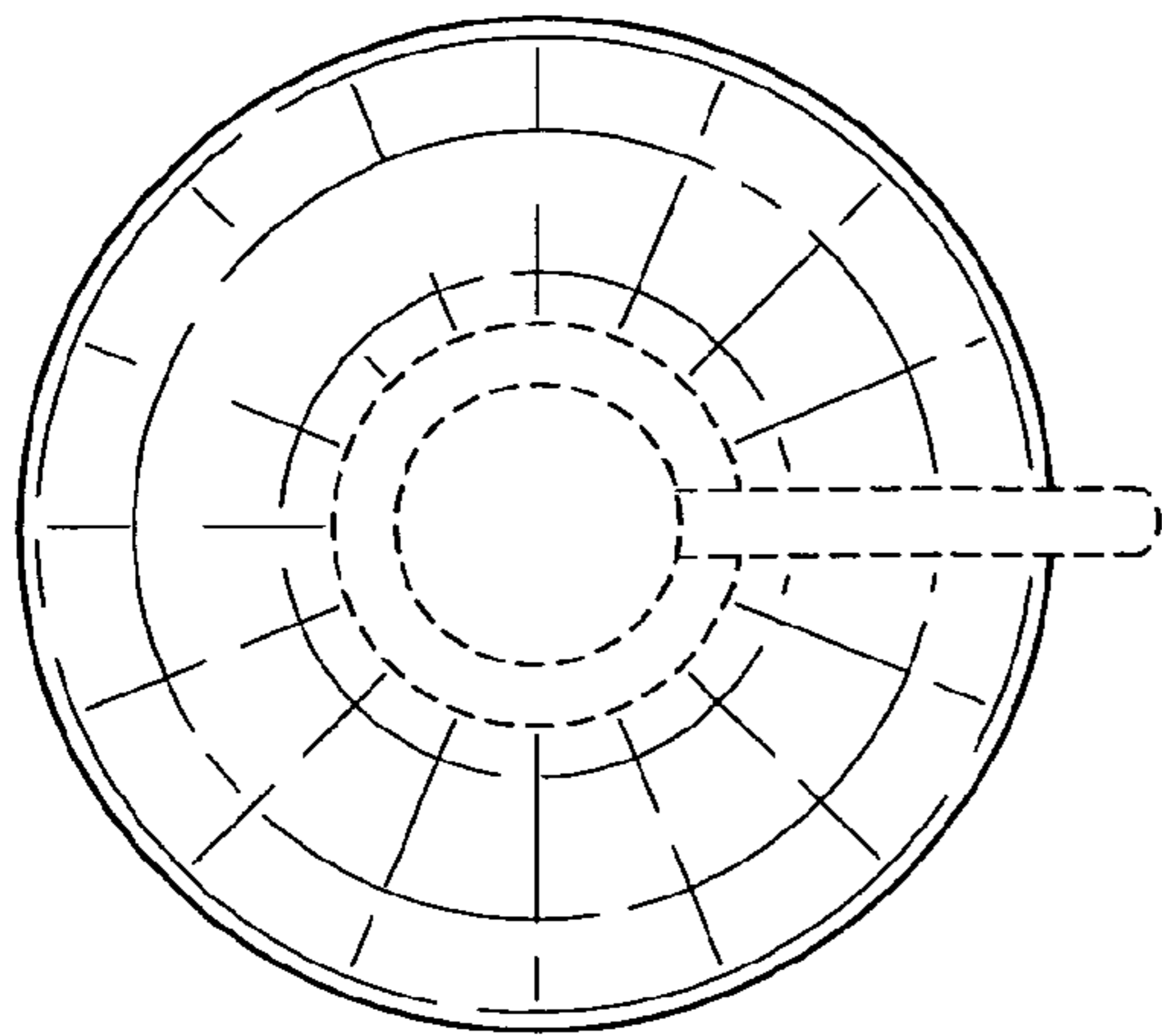


FIG-2

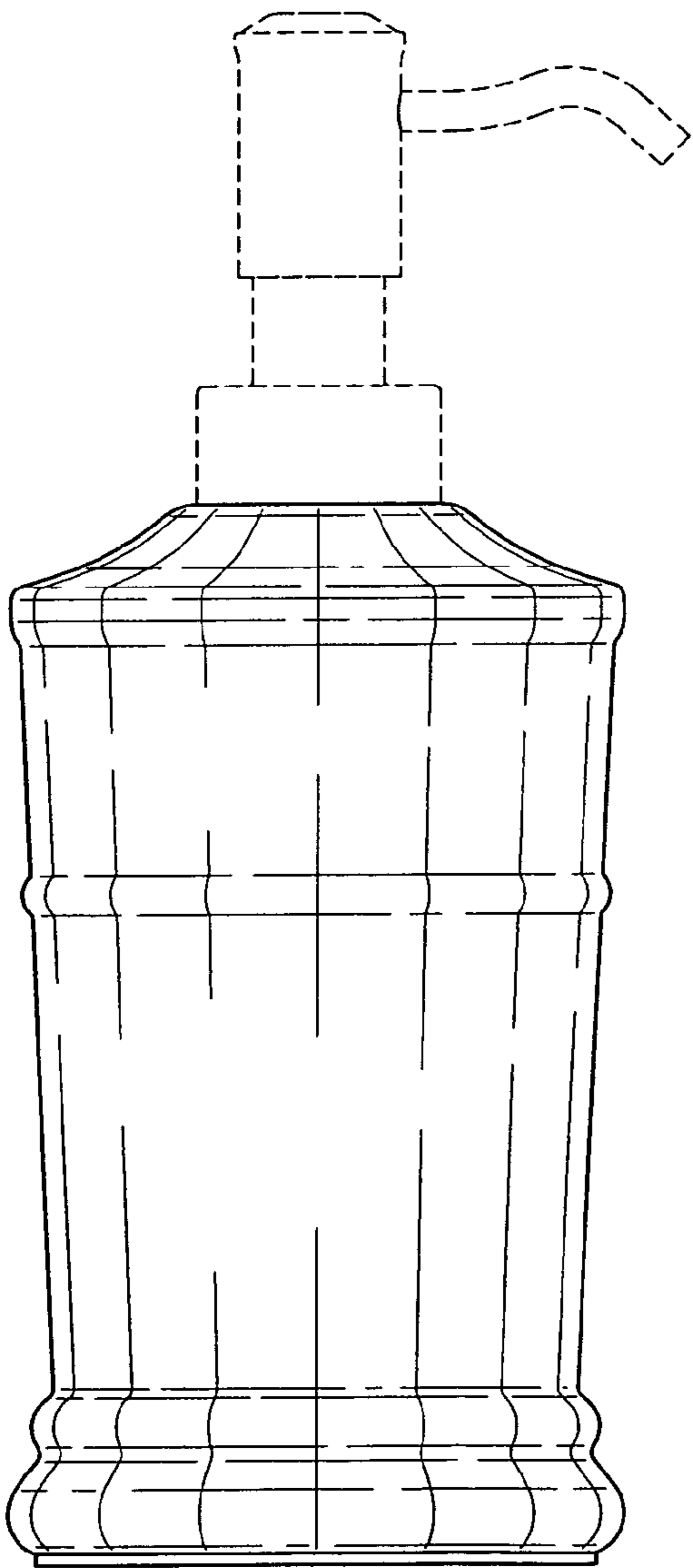


FIG-3

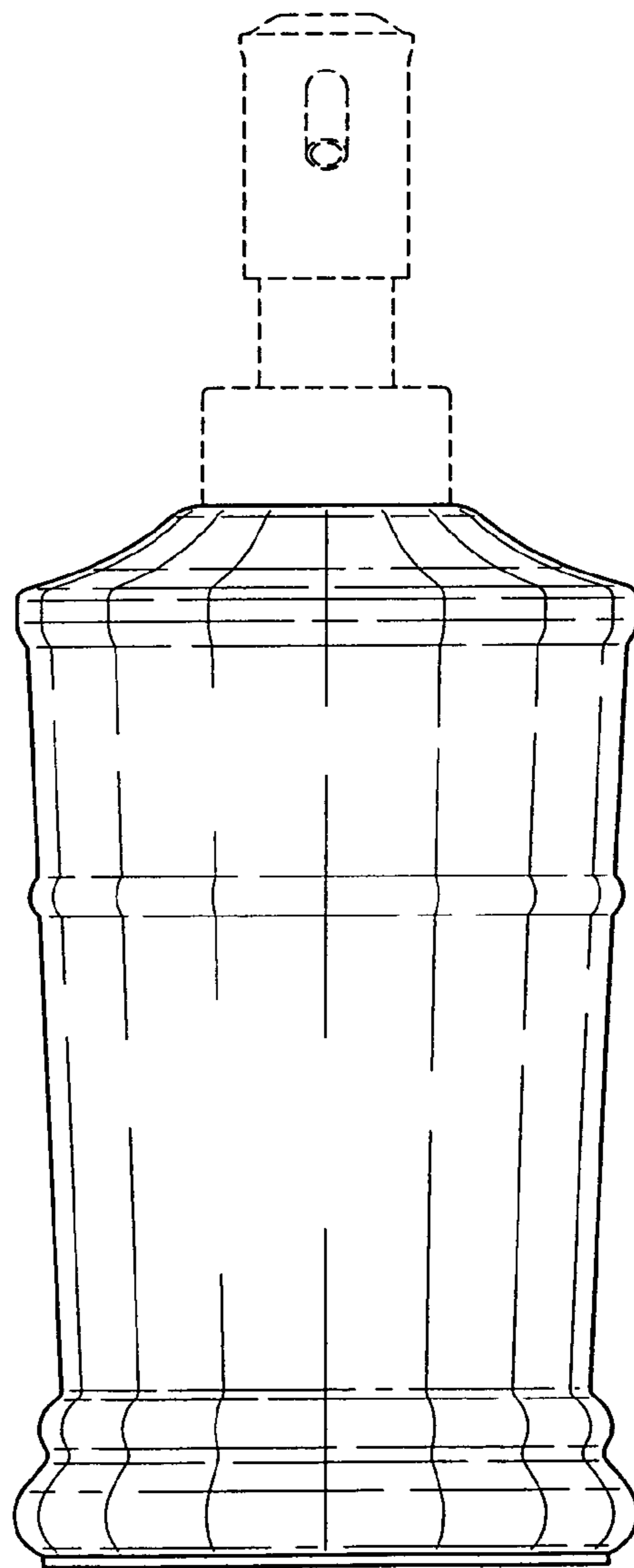


FIG-4

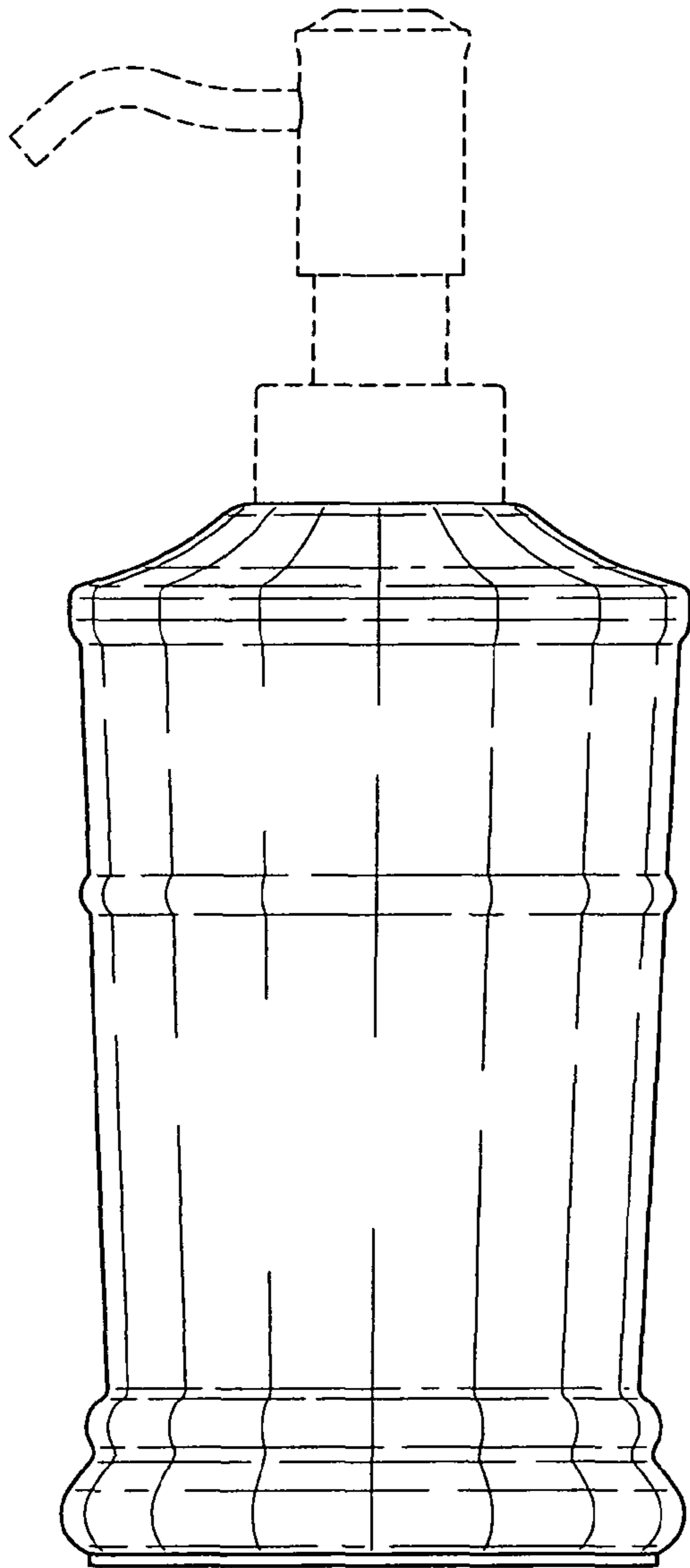


FIG-5

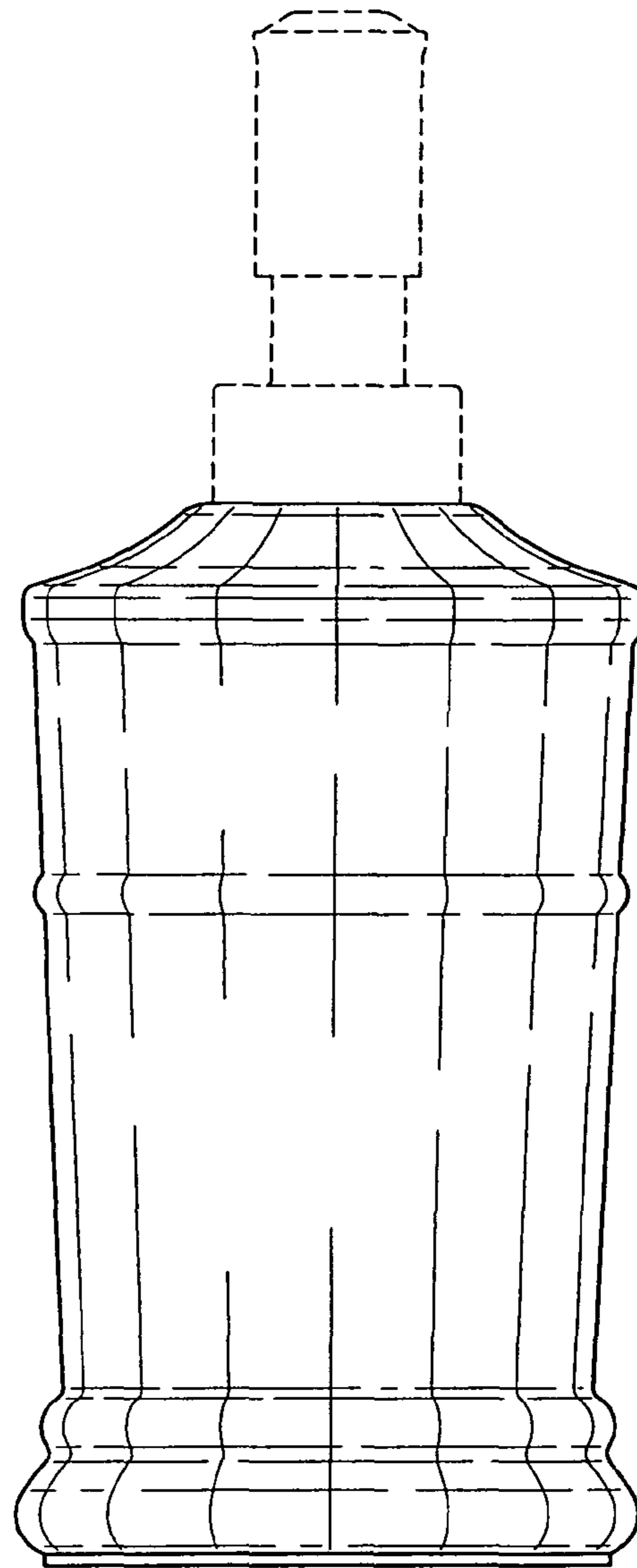


FIG-6

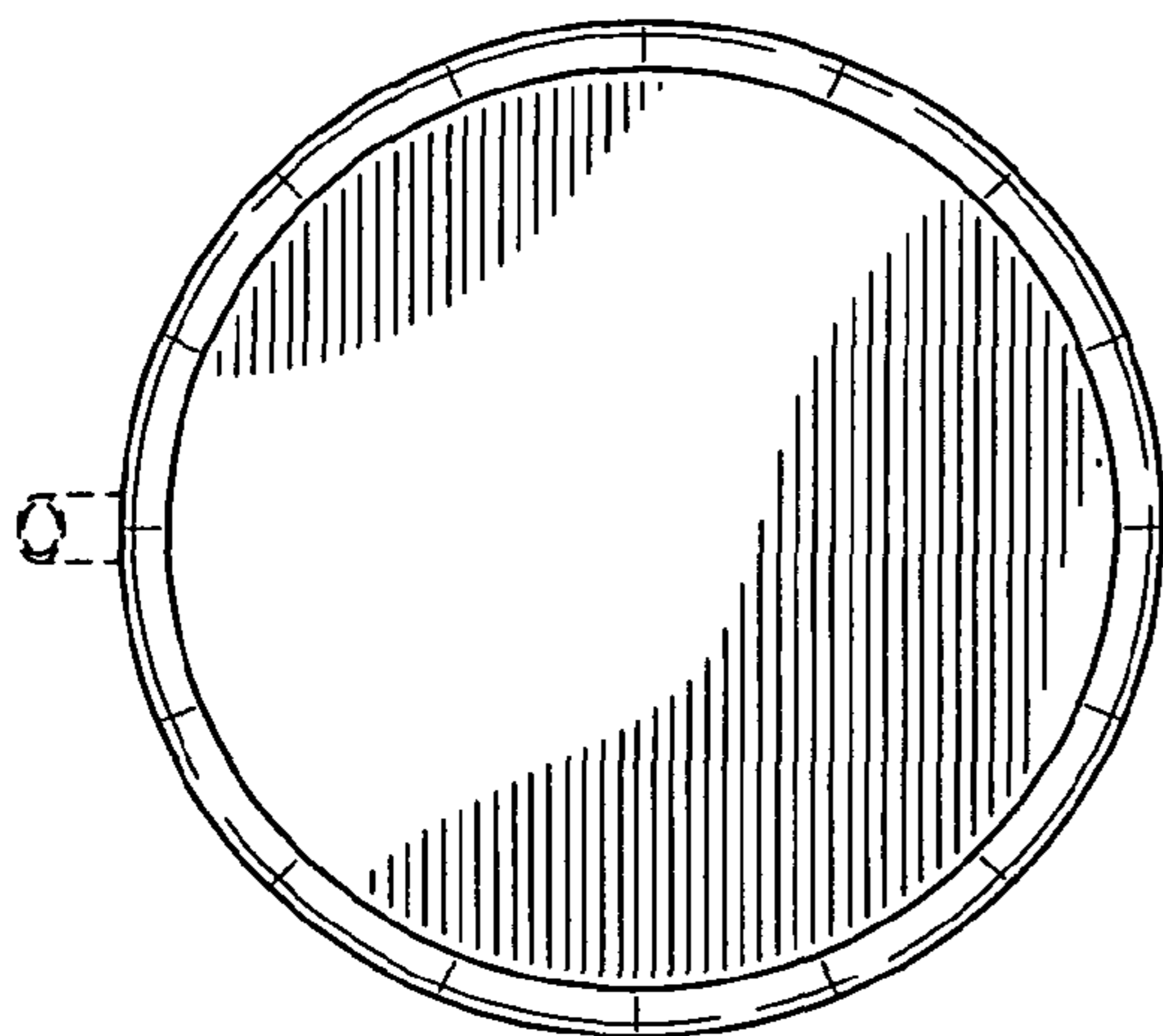


FIG-7