

US00D644464S

(12) **United States Design Patent**
Fujii et al.

(10) **Patent No.:** **US D644,464 S**
(45) **Date of Patent:** **** Sep. 6, 2011**

(54) **SEAM PORTION OF A SEAT FOR A VEHICLE**

(75) Inventors: **Noriaki Fujii**, Chigasaki (JP); **Niki Miyagi**, Kawaguchi (JP); **Akiho Ito**, Yokohama (JP)

(73) Assignee: **Midori Anzen Co., Ltd.** (JP)

(**) Term: **14 Years**

(21) Appl. No.: **29/322,268**

(22) Filed: **Jul. 31, 2008**

(30) **Foreign Application Priority Data**

Jan. 31, 2008 (JP) D2008-002151

(51) **LOC (9) Cl.** **06-01**

(52) **U.S. Cl.** **D6/500; D6/356**

(58) **Field of Classification Search** D6/334-336,
D6/360-369, 374, 379-380, 498, 500-502;
264/46.7; 297/232, 353, 354.1, 391, 396,
297/284.4, 411.27, 452.13, 452.19, 452.21,
297/452.24, 452.26, 452.29, 452.32-452.33,
297/452.34, 452.35, 452.37, 452.48, 452.56,
297/452.64

See application file for complete search history.

(56) **References Cited**

U.S. PATENT DOCUMENTS

2,491,784 A * 12/1949 Thompson 297/252
D354,629 S * 1/1995 Chapman D6/356
D356,694 S * 3/1995 Armbrecht D6/356
D417,340 S * 12/1999 Moor D3/321
D510,825 S * 10/2005 Kalinowski et al. D6/502
D604,968 S * 12/2009 True D6/502
D605,879 S * 12/2009 Krauss et al. D6/500
D615,315 S * 5/2010 Andersen D6/375
7,748,787 B2 * 7/2010 Williams et al. 297/452.27

D620,687 S * 8/2010 Lubell D2/742
D626,349 S * 11/2010 Bashir et al. D6/356
2010/0019560 A1 * 1/2010 Ito 297/452.48

OTHER PUBLICATIONS

“JIS Classification and Identification Symbol of Seam JIS L 0121”, Jul. 1, 1984, showing 2.02.01.

“Basics of Sewing with Illustration”, Jul. 1, 1982, pp. 6 and 7, published by K.K. Shufunotomoshu.

“Chiyo Tanaka’s Encyclopedia of Dressmaking”, Oct. 14, 1987, p. 450, published by Dobunshoin.

“Car and Drive”, Dec. 10, 1999, p. 25, Issue No. 23, published by Diamond K.K.

Brochure “Copen”, Jun. 11, 2004, p. 38, published by Daihatsu Kogyo K.K.

* cited by examiner

Primary Examiner — Zenia I Bennett

(74) *Attorney, Agent, or Firm* — SAIDMAN DesignLaw Group

(57) **CLAIM**

The ornamental design for an seam portion of a seat for a vehicle, as shown and described.

DESCRIPTION

FIG. 1 is a front view of an seam portion of a seat for a vehicle showing our new design;

FIG. 2 is a perspective view showing the environment in which the ornamental portion disclosed in FIG. 1 is applied to, the view being observed from the front angle as in FIG. 1 but from an upper direction, and it being understood that the claimed pattern is repeated at least vertically, as shown schematically by broken lines; and,

FIG. 3 is a sectional view along line 3—3 of FIG. 1.

The broken lines showing of a seat in FIG. 2 are for illustrative purposes only and form no part of the claimed design.

1 Claim, 3 Drawing Sheets

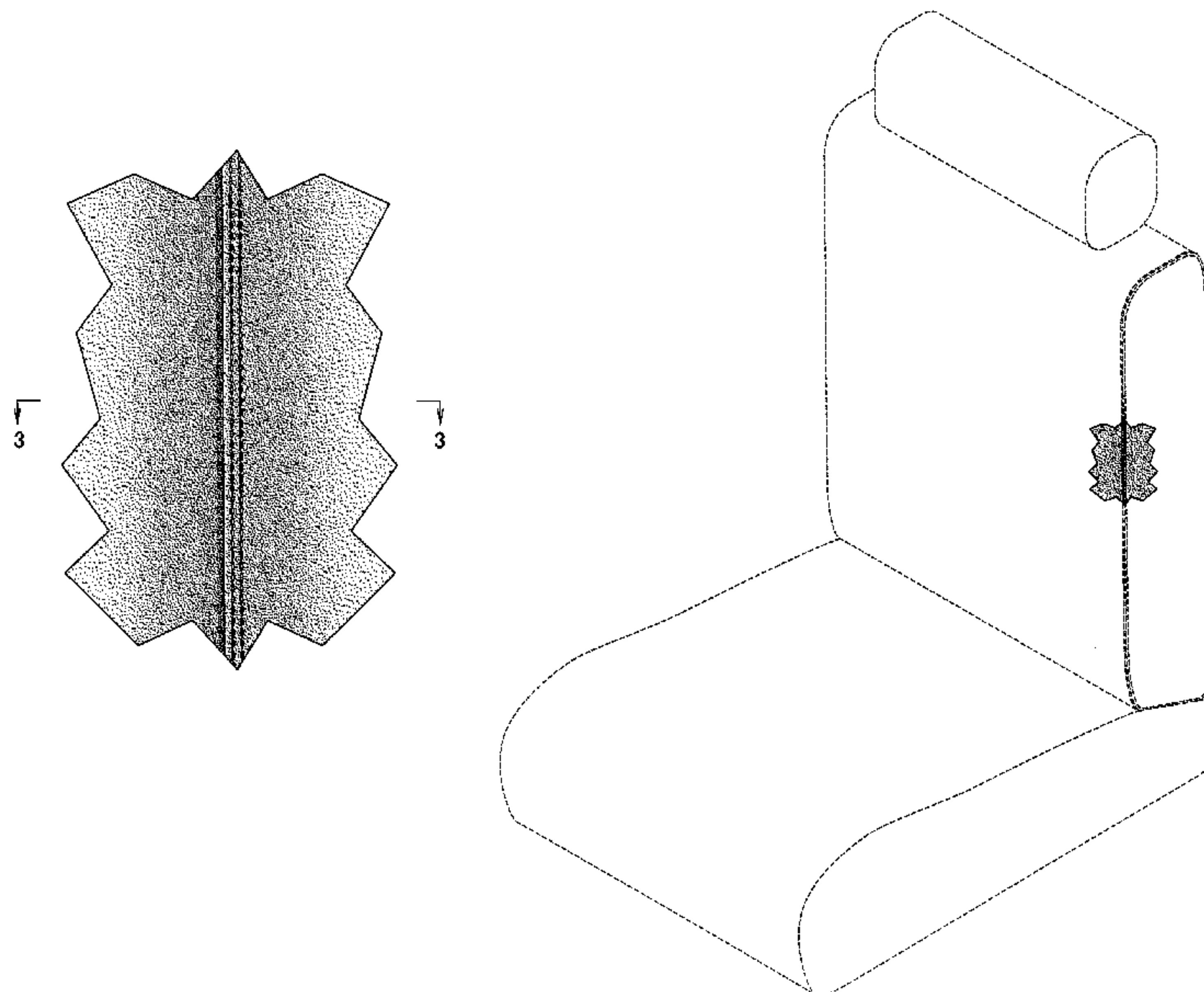


Fig.1

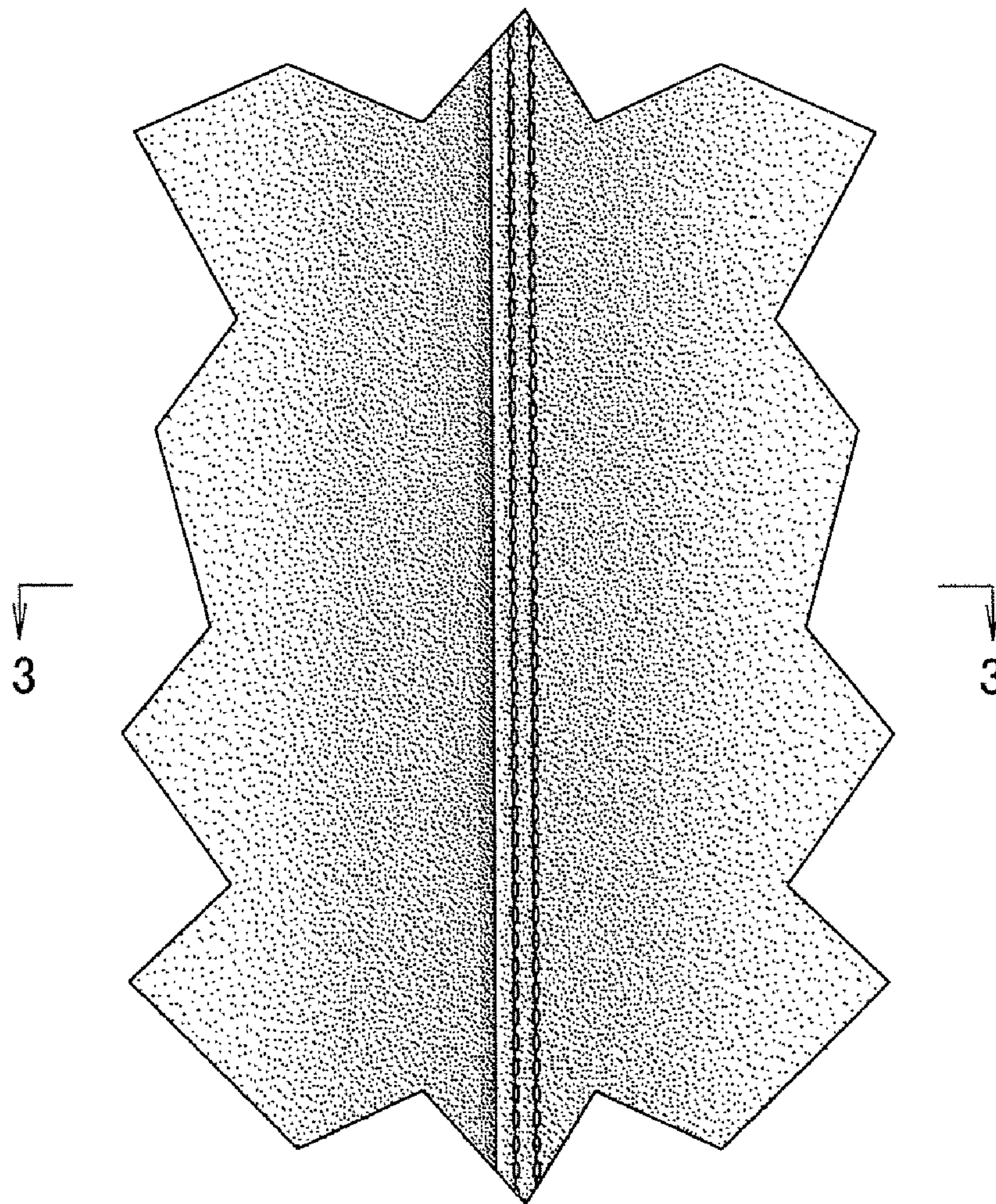


Fig.2

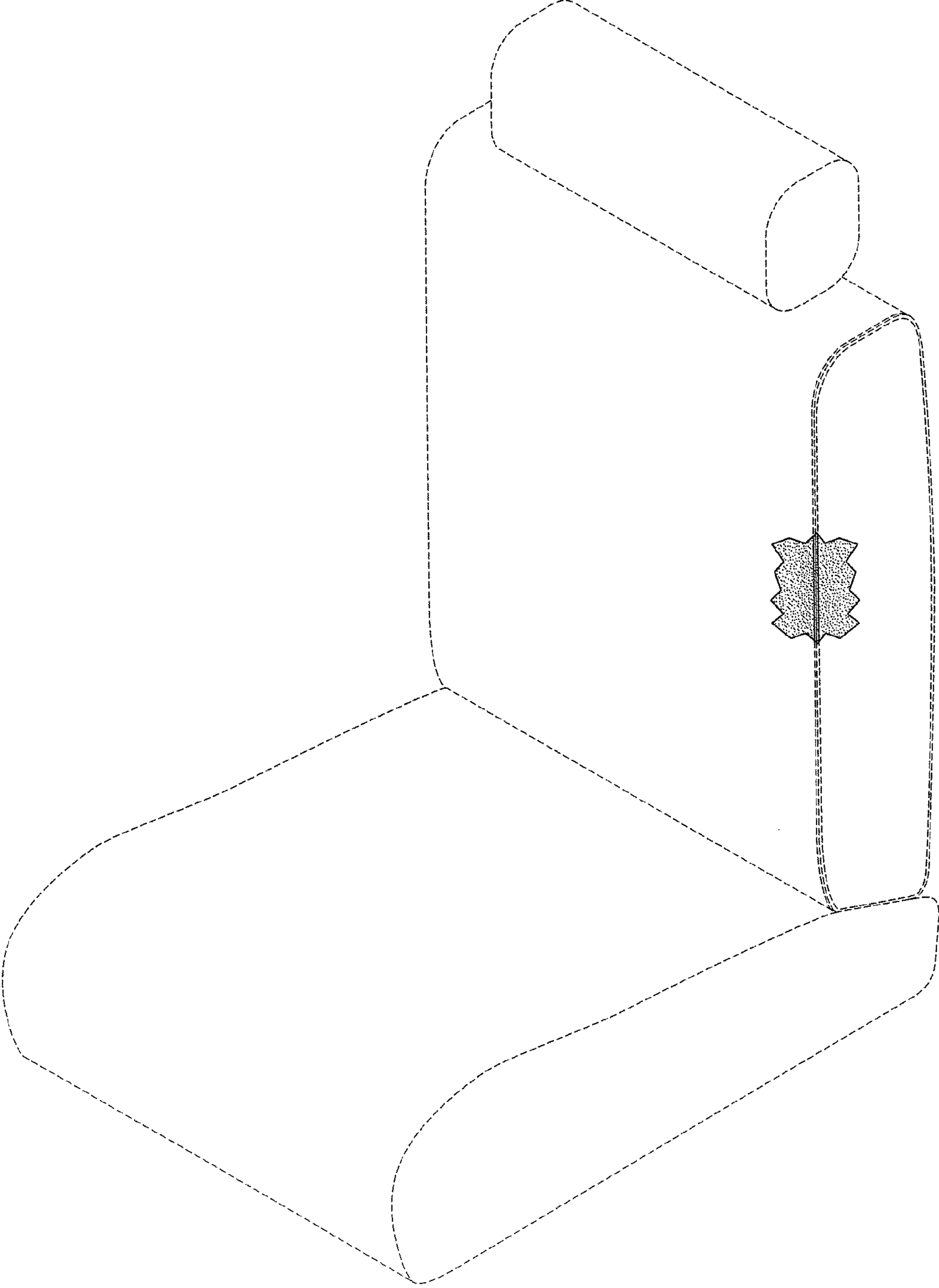


Fig.3

