



US00D644461S

(12) **United States Design Patent**  
**Fujii et al.**

(10) **Patent No.:** **US D644,461 S**  
(45) **Date of Patent:** **\*\* Sep. 6, 2011**

(54) **SEAM PORTION OF A SEAT FOR A VEHICLE**

(75) Inventors: **Noriaki Fujii**, Chigasaki (JP); **Niki Miyagi**, Kawaguchi (JP); **Akiho Ito**, Yokohama (JP)

(73) Assignee: **Midori Anzen Co., Ltd.** (JP)

(\*\*) Term: **14 Years**

(21) Appl. No.: **29/322,256**

(22) Filed: **Jul. 31, 2008**

(30) **Foreign Application Priority Data**

Jan. 31, 2008 (JP) ..... D2008-002151

(51) **LOC (9) Cl.** ..... **06-01**

(52) **U.S. Cl.** ..... **D6/500; D6/356**

(58) **Field of Classification Search** ..... D6/334-336,  
D6/360-369, 374, 379-380, 498, 500-502;  
264/46.7; 297/232, 353, 354.1, 391, 396,  
297/284.4, 411.27, 452.13, 452.19, 452.21,  
297/452.24, 452.26, 452.29, 452.32-452.33,  
297/452.34, 452.35, 452.37, 452.48, 452.56,  
297/452.64

See application file for complete search history.

(56) **References Cited**

**U.S. PATENT DOCUMENTS**

2,491,784	A *	12/1949	Thompson	297/252
D354,629	S *	1/1995	Chapman	D6/356
D356,694	S *	3/1995	Armbrecht	D6/356
D417,340	S *	12/1999	Moor	D3/321
D510,825	S *	10/2005	Kalinowski et al.	D6/502
D604,968	S *	12/2009	True	D6/502
D605,879	S *	12/2009	Krauss et al.	D6/500
D615,315	S *	5/2010	Andersen	D6/375

7,748,787	B2 *	7/2010	Williams et al.	297/452.27
D620,687	S *	8/2010	Lubell	D2/742
D626,349	S *	11/2010	Bashir et al.	D6/356
2010/0019560	A1 *	1/2010	Ito	297/452.48

**OTHER PUBLICATIONS**

“JIS Classification and Identification Symbol of Seam JIS L 0121”  
Jul. 1, 1984, showing 2.02.01 and 2.02.05.

“Chiyo Tanaka’s Encyclopedia of Dressmaking”, Oct. 14, 1987, p.  
444, published by Dobunshoin.

“Car and Drive”, Dec. 10, 1999, p. 25, Issue No. 23, published by  
Diamond K.K.

Brochure “Copen”, Jun. 11, 2004, p. 38, published by Daihatsu  
Kogyo K.K.

\* cited by examiner

*Primary Examiner* — Zenia I Bennett

(74) *Attorney, Agent, or Firm* — SAIDMAN DesignLaw  
Group

(57) **CLAIM**

The ornamental design for an seam portion of a seat for a  
vehicle, as shown and described.

**DESCRIPTION**

FIG. 1 is a front view of an seam portion of a seat for a vehicle  
showing our new design;

FIG. 2 is a perspective view showing the environment in  
which the ornamental portion disclosed in FIG. 1 is applied  
to, the view being observed from the front angle as in FIG. 1  
but from an upper direction, and it being understood that the  
claimed pattern is repeated at least vertically, as shown sche-  
matically by broken lines; and,

FIG. 3 is a sectional view along line 3—3 of FIG. 1.

The broken lines showing of a seat in FIG. 2 are for illustrative  
purposes only and form no part of the claimed design.

**1 Claim, 3 Drawing Sheets**

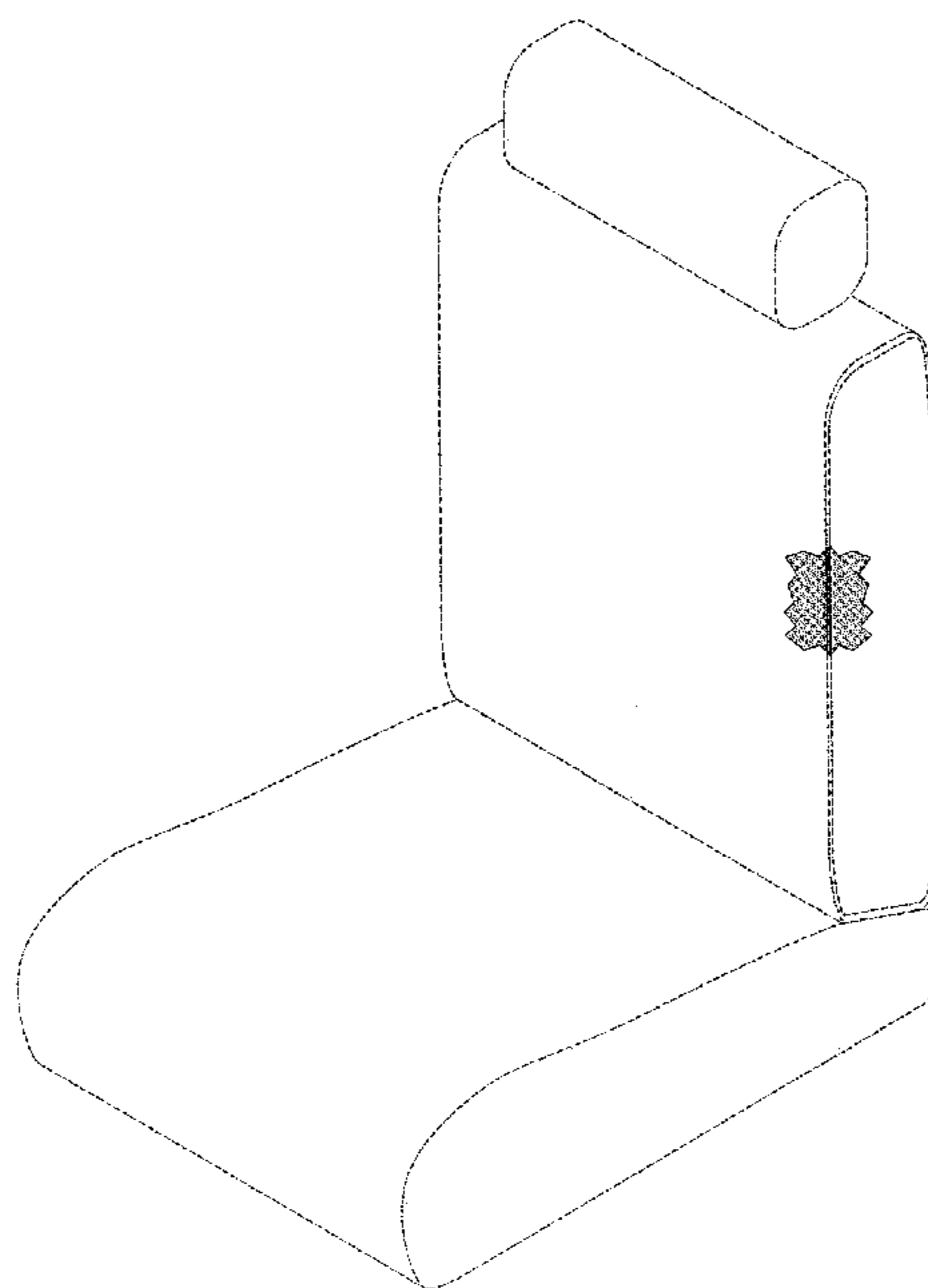
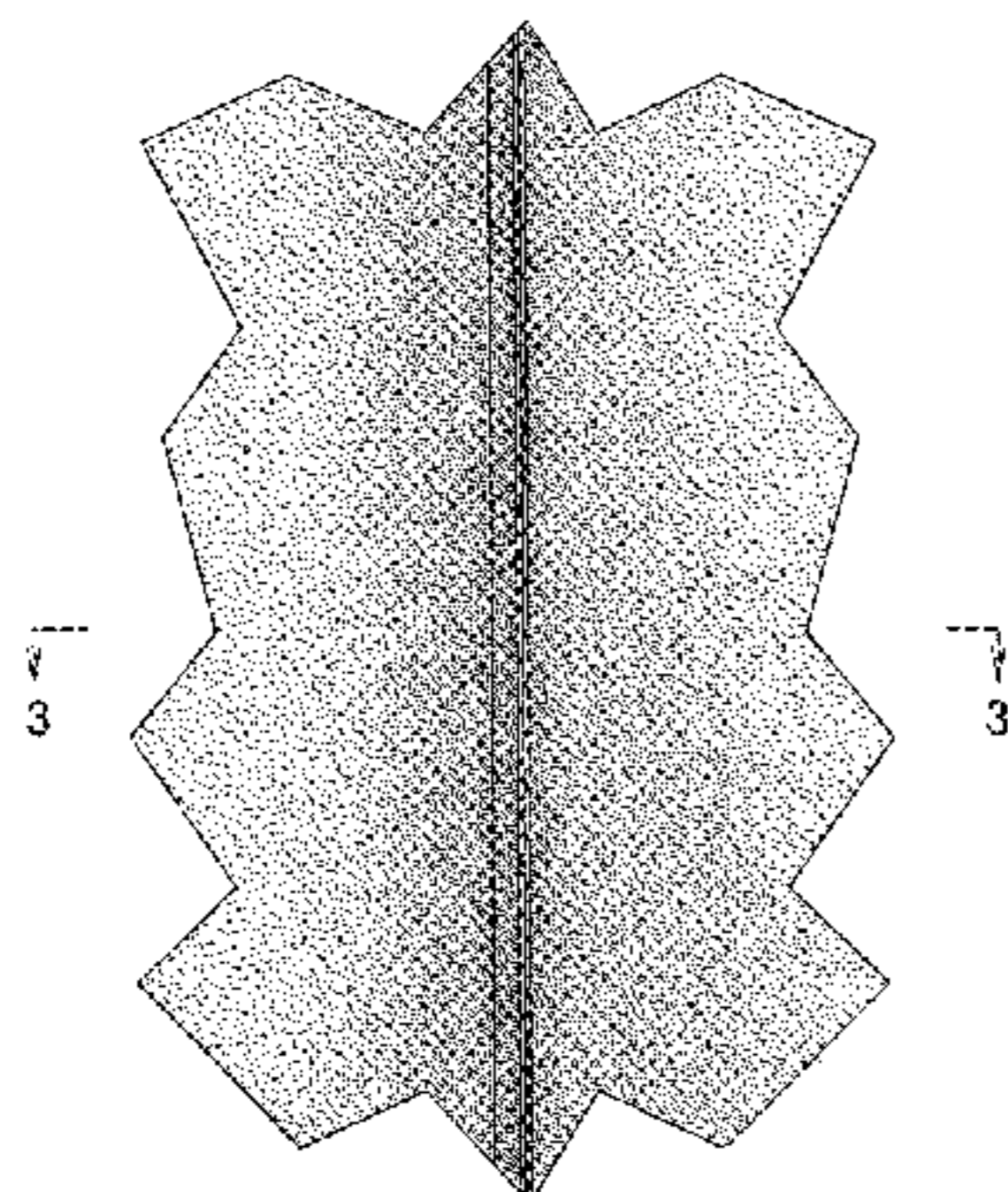




Fig. 1

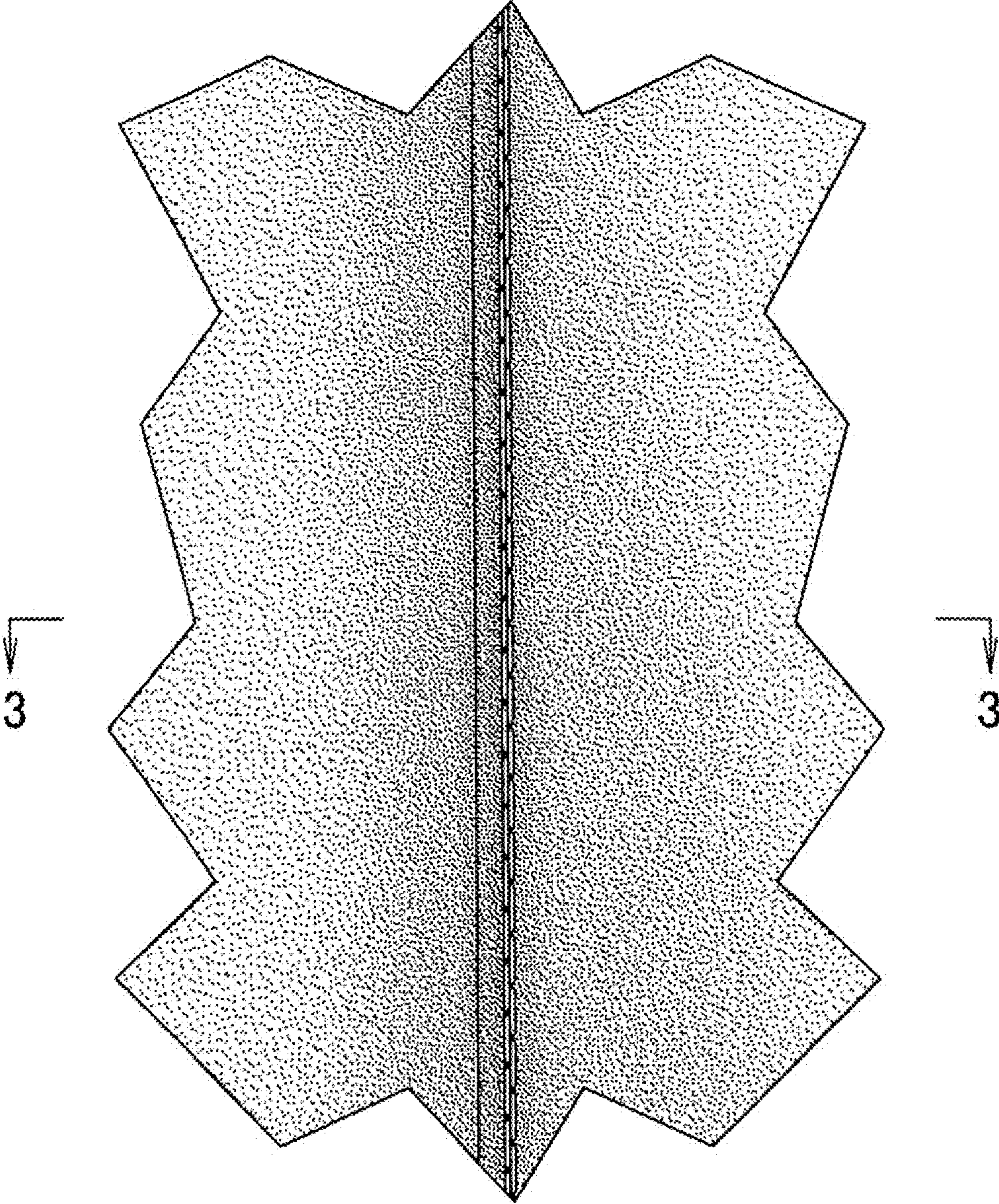


Fig.2

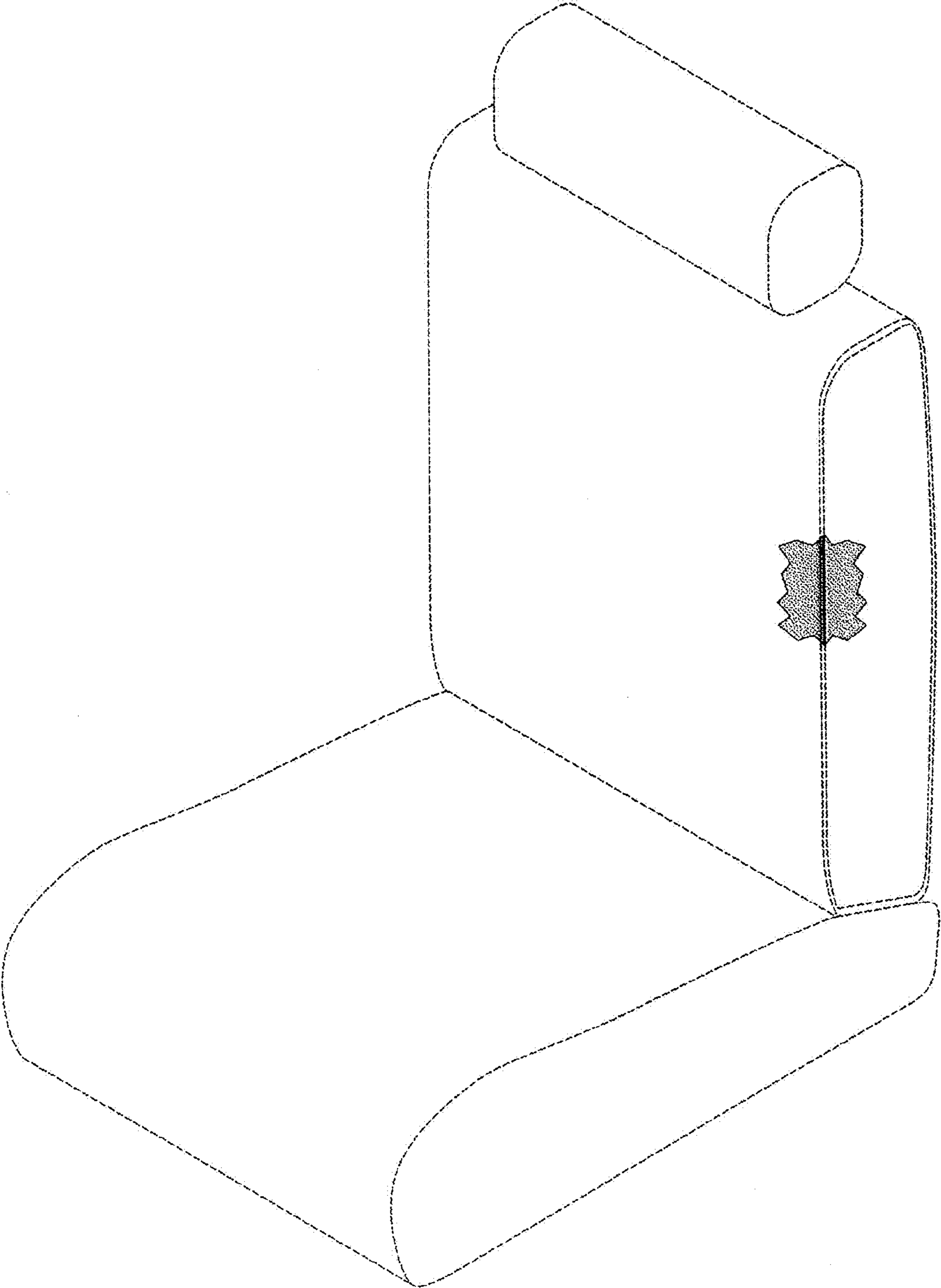


Fig.3

