



US00D644459S

(12) **United States Design Patent**
Babick

(10) **Patent No.:** **US D644,459 S**

(45) **Date of Patent:** **** Sep. 6, 2011**

(54) **SUPPORT BASE**

(75) Inventor: **Tod Babick**, Grand Rapids, MI (US)

(73) Assignee: **DSA International, Inc.**, Zeeland, MI (US)

(**) Term: **14 Years**

(21) Appl. No.: **29/358,918**

(22) Filed: **Apr. 1, 2010**

(51) **LOC (9) Cl.** **06-06**

(52) **U.S. Cl.** **D6/495**

(58) **Field of Classification Search** D6/480–489,
D6/429–431, 495–499; 108/150, 153.1,
108/155, 156, 161, 144.11, 146, 147, 147.19,
108/147.21; 248/188, 188.1, 188.7, 188.8
See application file for complete search history.

(56) **References Cited**

U.S. PATENT DOCUMENTS

2,805,906	A *	9/1957	Humphries et al.	108/129
D223,498	S *	4/1972	Daum	D6/495
D314,299	S *	2/1991	Diffrient	D6/495
5,758,586	A *	6/1998	Kieser et al.	108/147
D530,543	S *	10/2006	High	D6/480

* cited by examiner

Primary Examiner — Janice Seeger

(74) *Attorney, Agent, or Firm* — Dowell Baker, P.C.

(57) **CLAIM**

The ornamental design for a support base, as shown and described.

DESCRIPTION

FIG. 1 is a side perspective view of a support base in accordance with a first embodiment of the invention.

FIG. 2 is a side view of the support base of FIG. 1;

FIG. 3 is a top view of the support base of FIG. 1;

FIG. 4 is a front view of the support base of FIG. 1;

FIG. 5 is a side view of a second embodiment of the support base;

FIG. 6 is a top view of the support base of FIG. 5;

FIG. 7 is a side perspective view of the support base of FIG. 5;

FIG. 8 is a front view of the support base of FIG. 5;

FIG. 9 is a side view of a third embodiment of the support base;

FIG. 10 is a front view of the support base of FIG. 9;

FIG. 11 is a top view of the support base of FIG. 9;

FIG. 12 is a side perspective view of the support base of FIG. 9;

FIG. 13 is a side view of a fourth embodiment of the support base;

FIG. 14 is a top view of the support base of FIG. 13;

FIG. 15 is a front view of the support base of FIG. 13; and,

FIG. 16 is a side perspective view of the support base of FIG. 13.

The precise height of the central portions of the support bases are not claimed as indicated by the use of separations and brackets.

The broken lines shown in the figures are for illustrative purposes only and form no part of the claimed design.

1 Claim, 7 Drawing Sheets

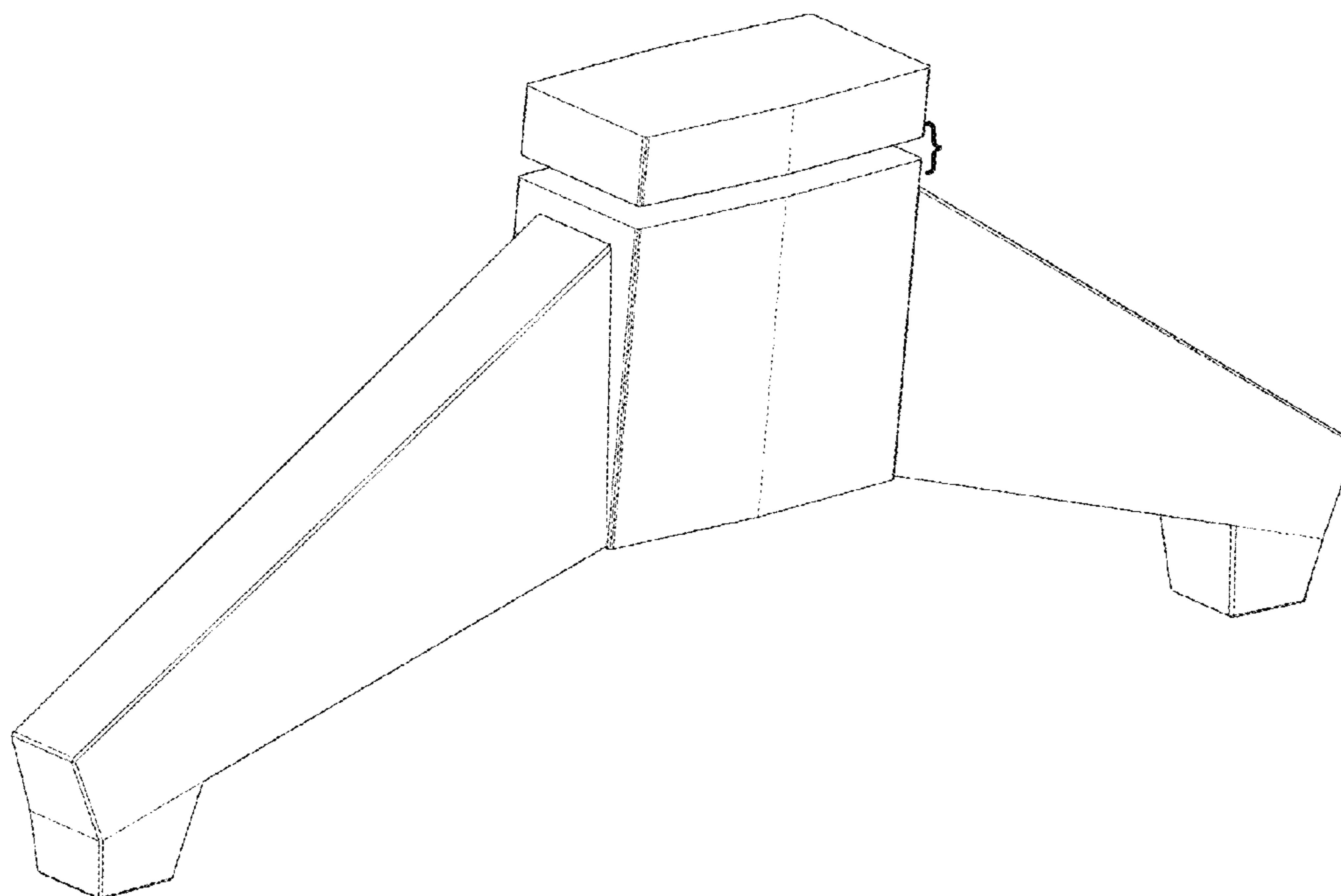


FIG. 1

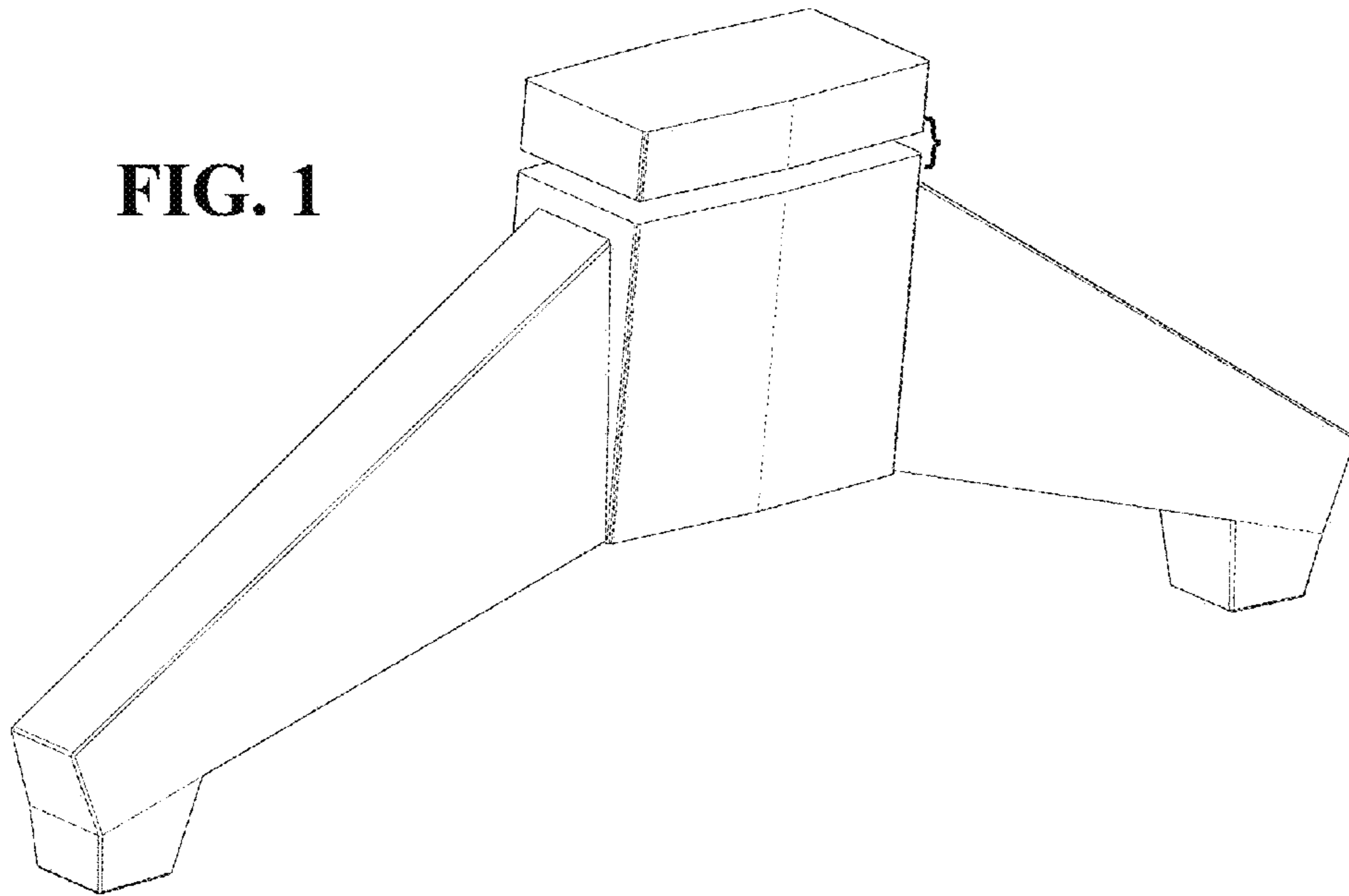
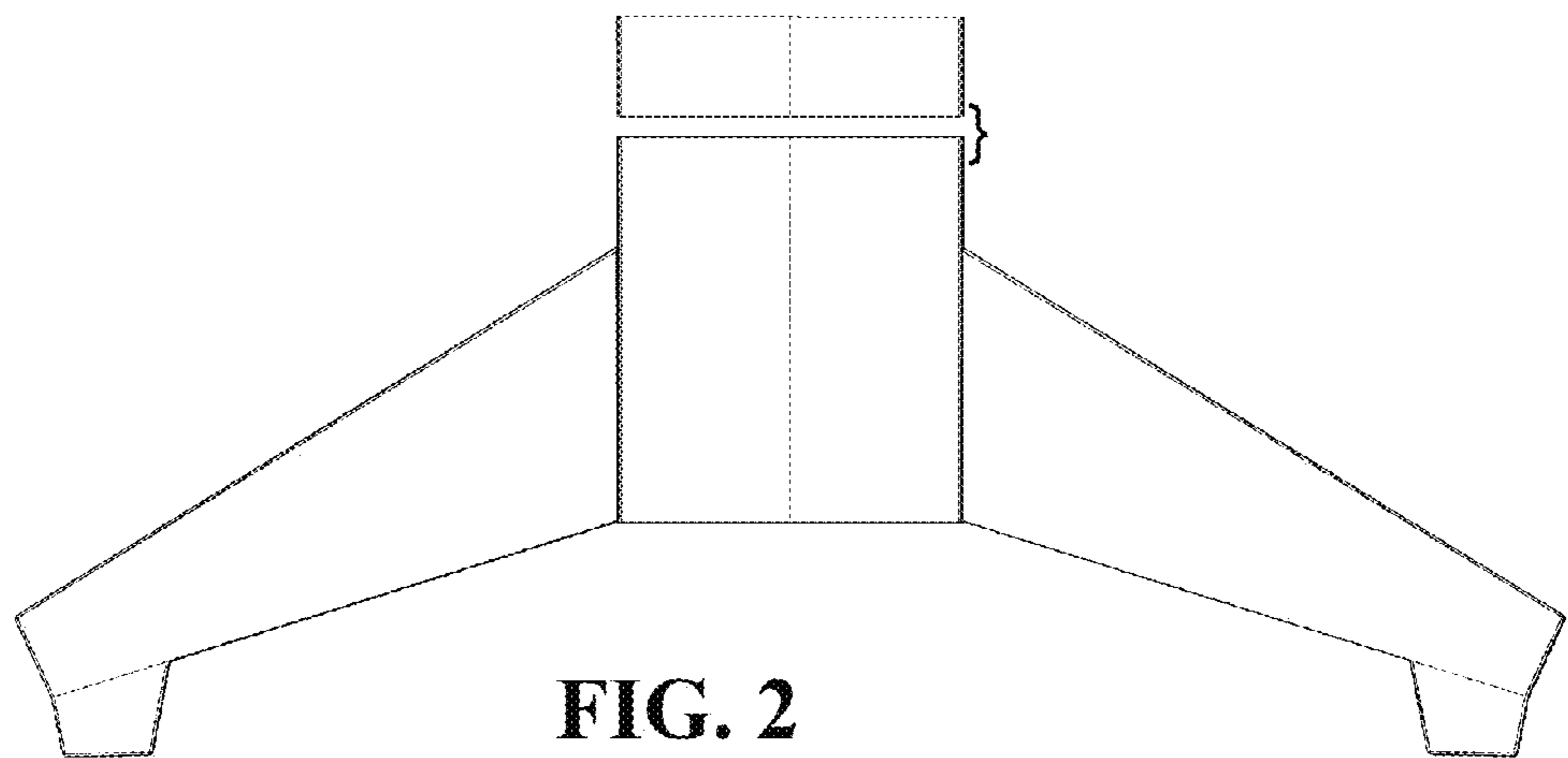


FIG. 2



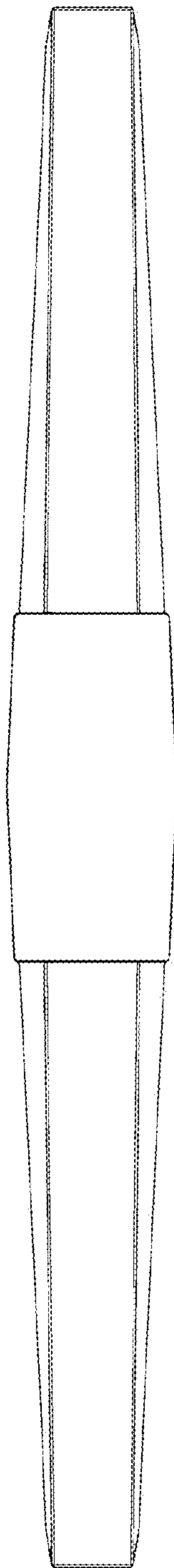


FIG. 3

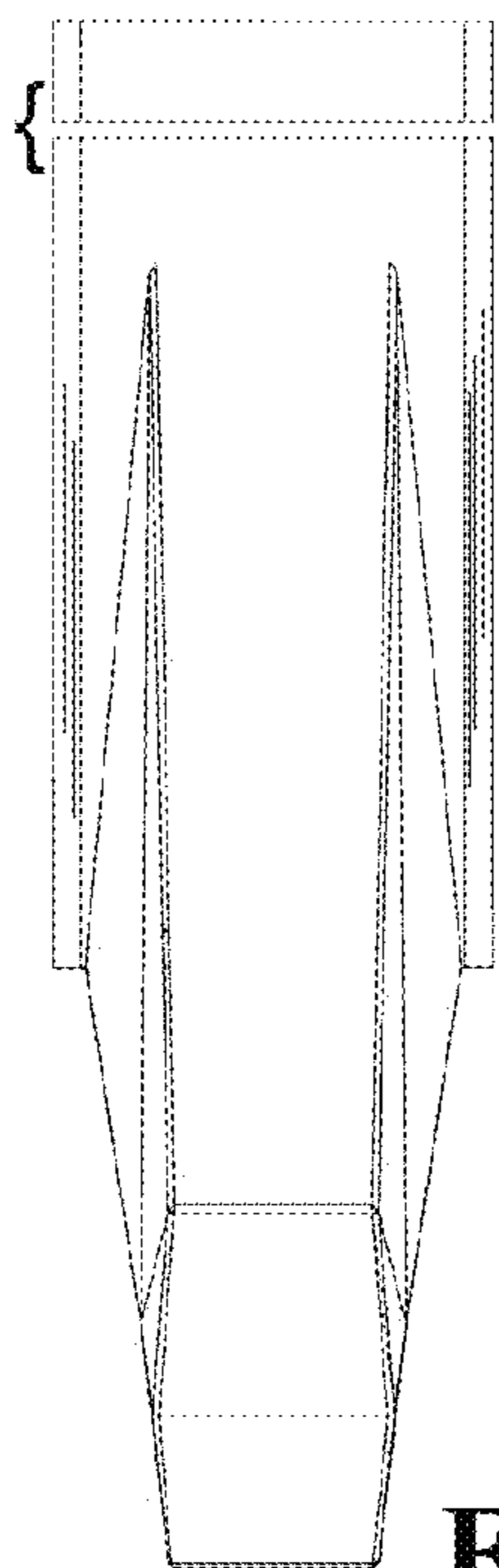


FIG. 4

FIG. 5

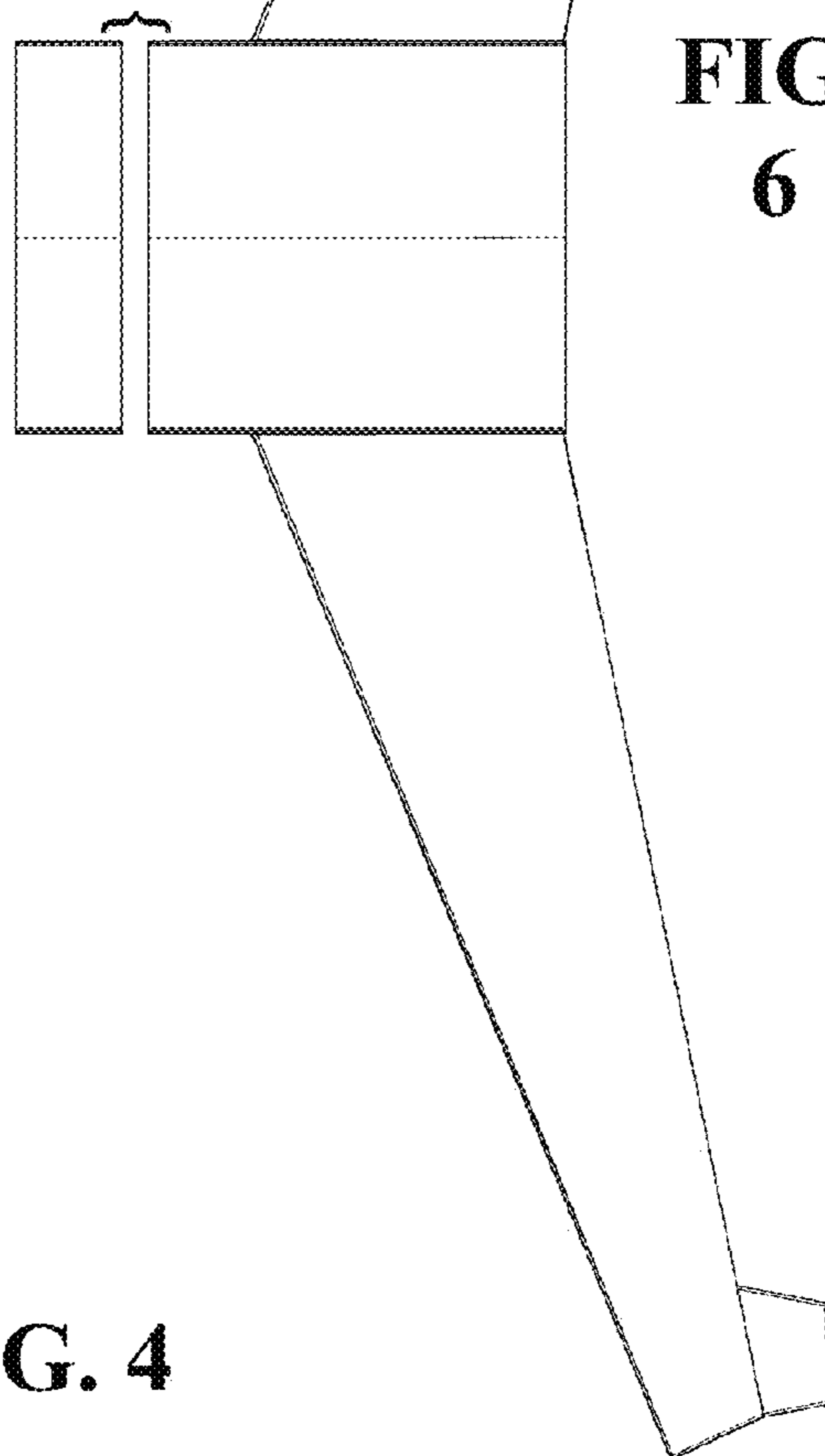
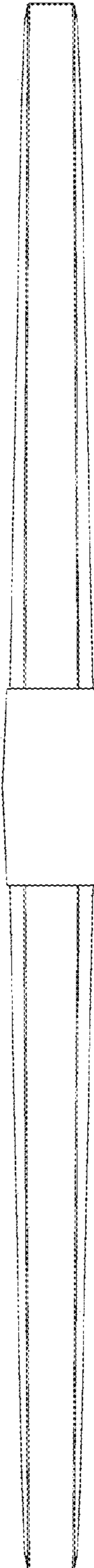


FIG. 6



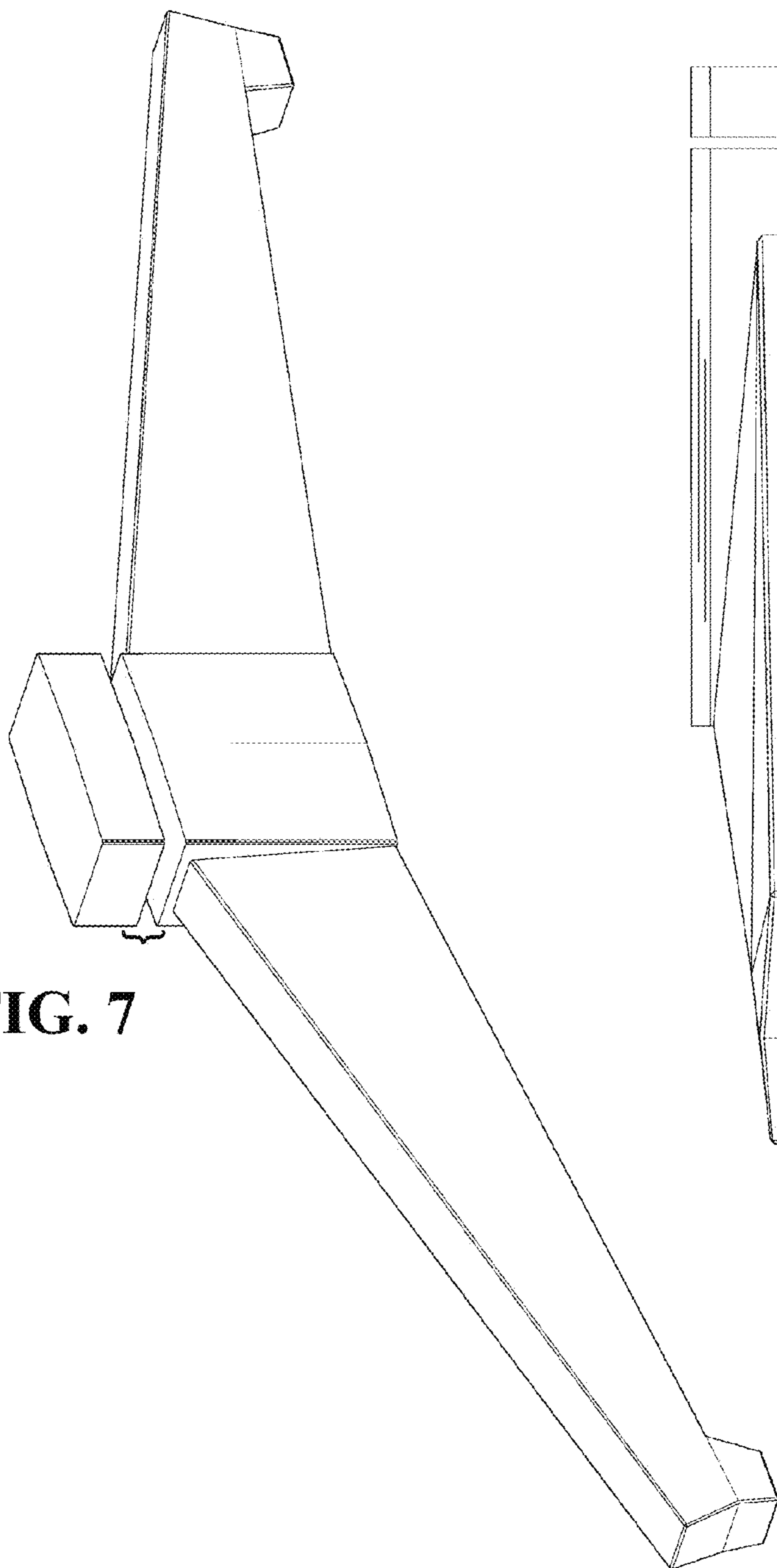


FIG. 7

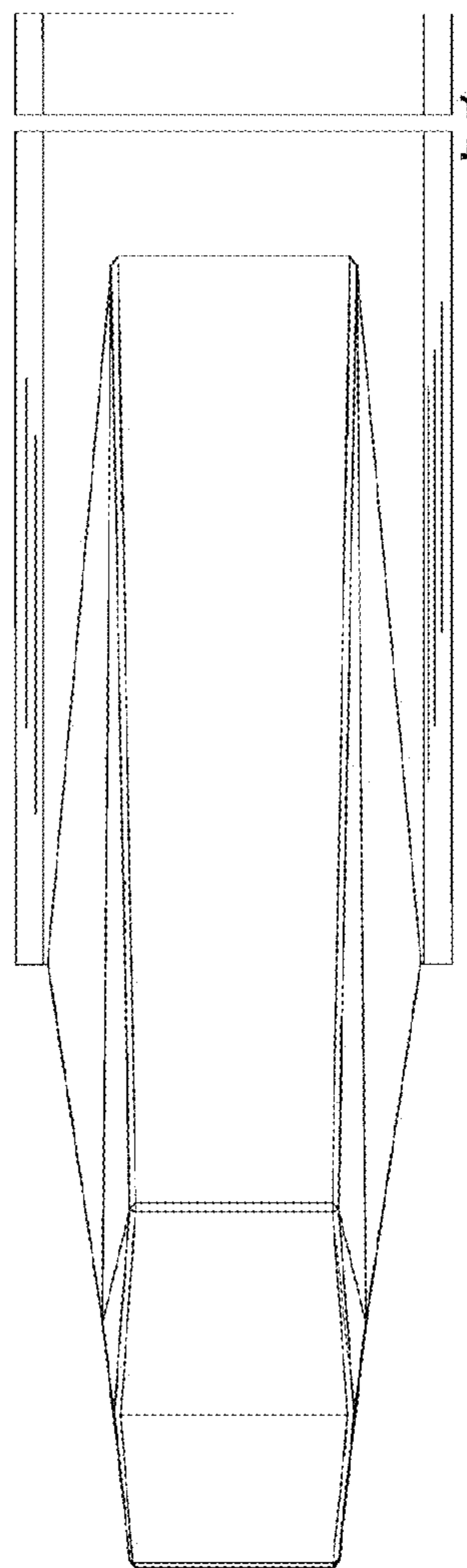


FIG. 8

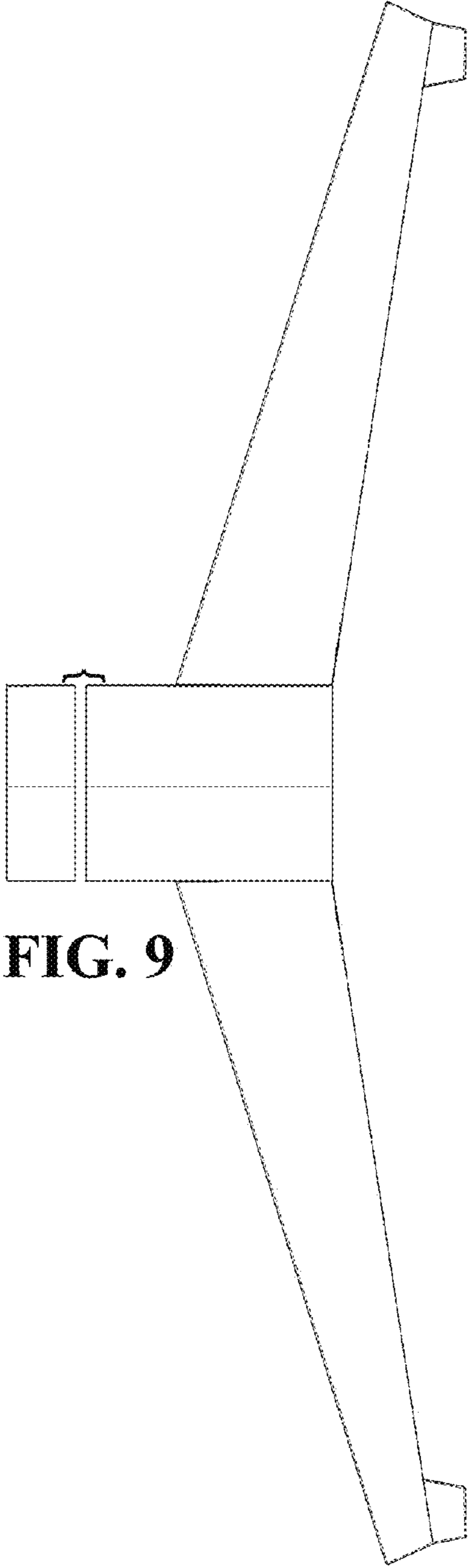


FIG. 9

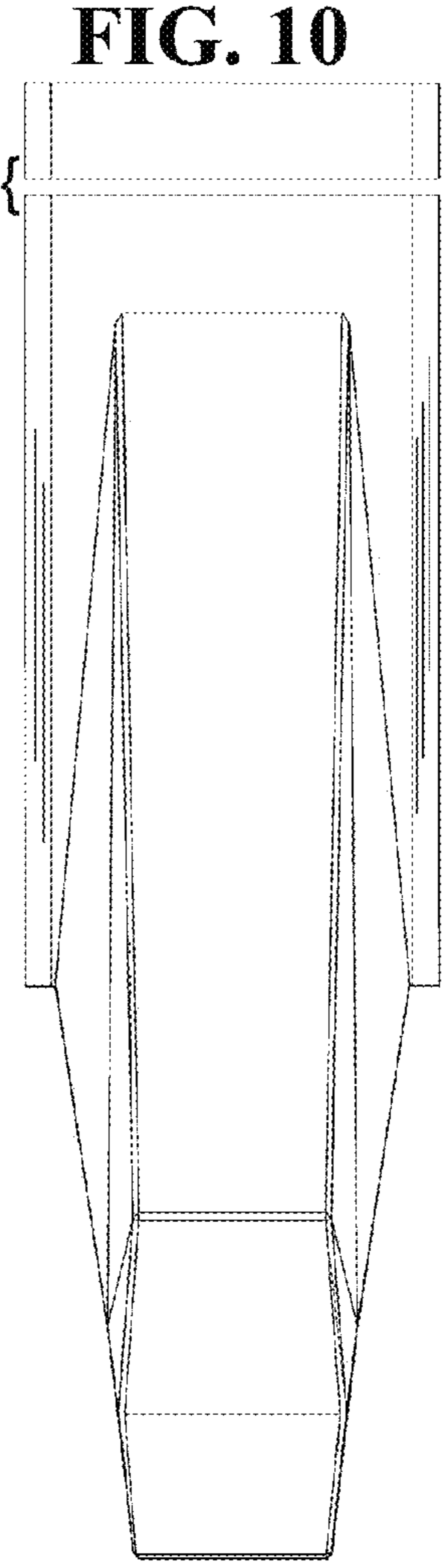


FIG. 10

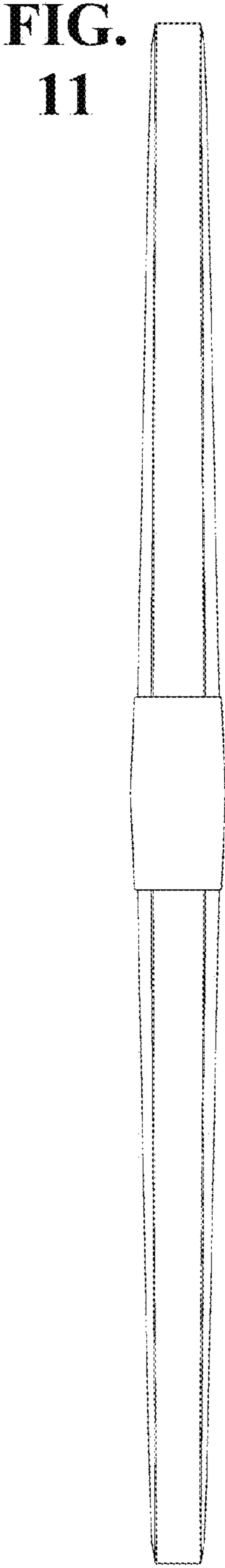
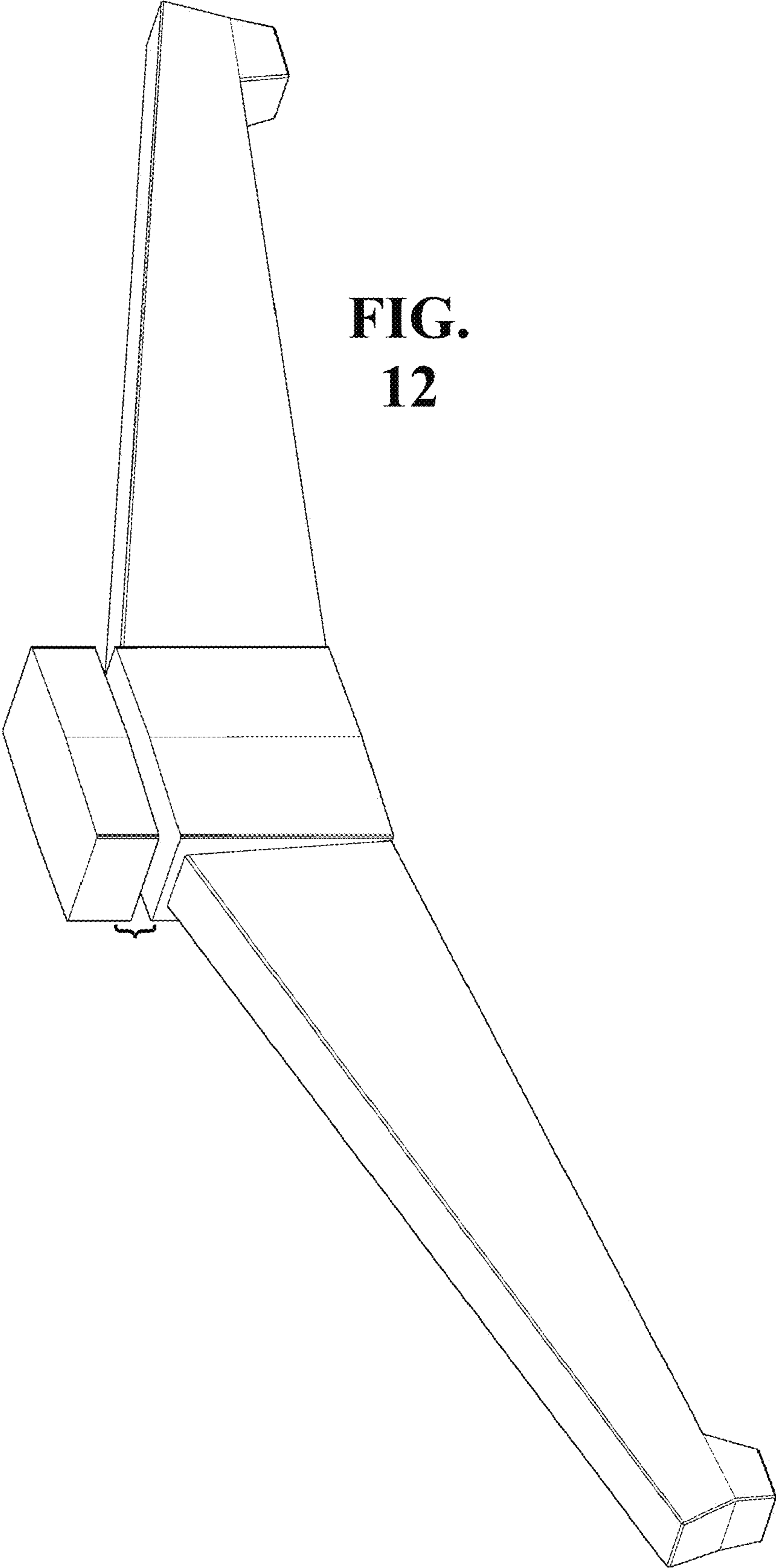


FIG. 11



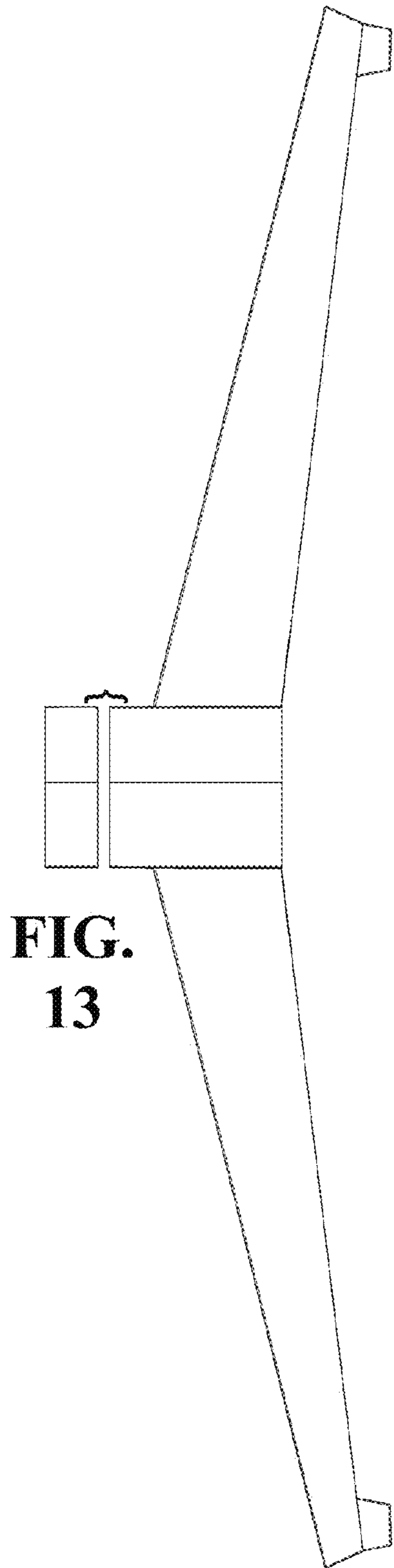


FIG.
14

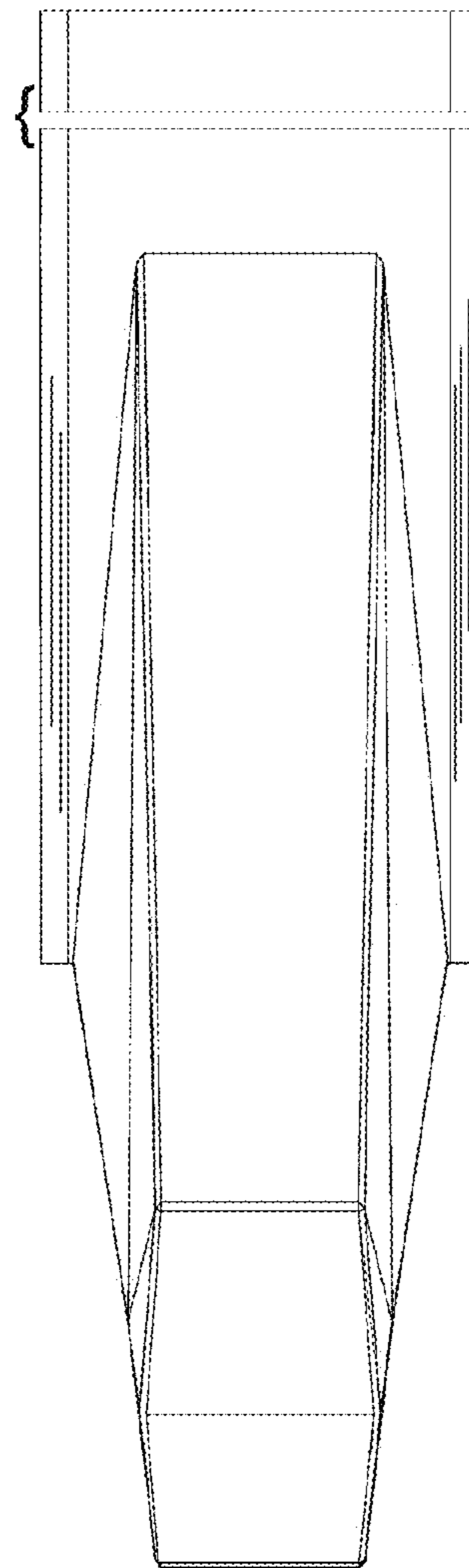


FIG.
15

