



US00D644458S

(12) **United States Design Patent**
Babick

(10) **Patent No.:** **US D644,458 S**
(45) **Date of Patent:** **** Sep. 6, 2011**

(54) **SUPPORT LEG**

DESCRIPTION

(75) Inventor: **Tod Babick**, Grand Rapids, MI (US)
(73) Assignee: **DSA International, Inc.**, Zeeland, MI (US)
(**) Term: **14 Years**
(21) Appl. No.: **29/358,915**
(22) Filed: **Apr. 1, 2010**
(51) **LOC (9) Cl.** **06-06**
(52) **U.S. Cl.** **D6/495**
(58) **Field of Classification Search** D6/480-489,
D6/429-431, 495-499; 108/150, 153.1,
108/155, 156, 161, 144.11, 146, 147, 147.19,
108/147.21; 248/188, 188.1, 188.7, 188.8
See application file for complete search history.

(56) **References Cited**

U.S. PATENT DOCUMENTS

4,248,161 A * 2/1981 Adair et al. D6/429
5,758,586 A * 6/1998 Kieser et al. 108/147
D622,984 S * 9/2010 Babick D6/495

* cited by examiner

Primary Examiner — Janice Seeger

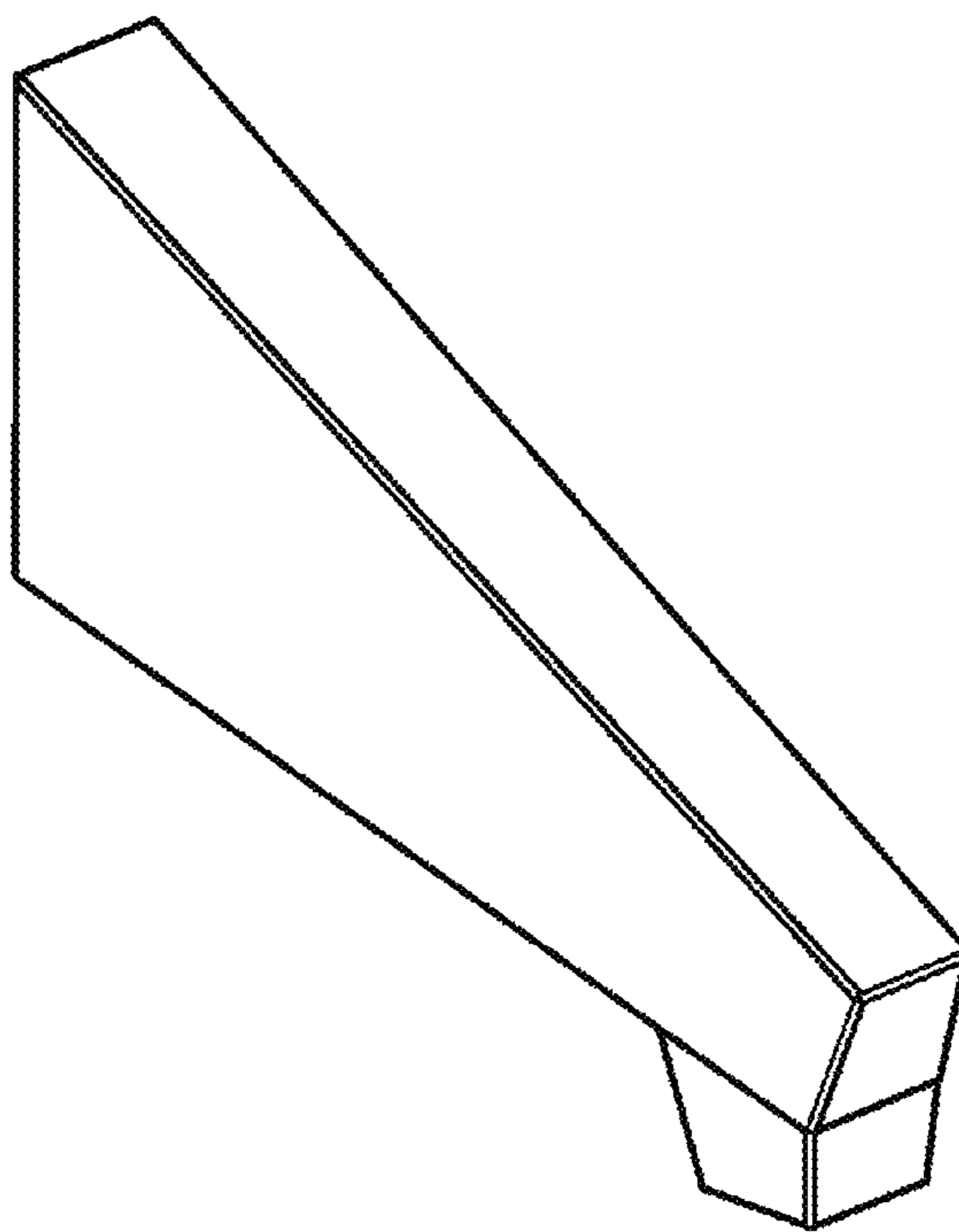
(74) *Attorney, Agent, or Firm* — Dowell Baker, P.C.

(57) **CLAIM**

The ornamental design for a support leg, as shown and described.

FIG. 1 is a side perspective view of a support leg in accordance with a first embodiment of the invention.
FIG. 2 is a bottom perspective view of the support leg of FIG. 1;
FIG. 3 is a side view of the support leg of FIG. 1;
FIG. 4 is a front view of the support leg of FIG. 1;
FIG. 5 is a top view of the support leg of FIG. 1;
FIG. 6 is a bottom view of the support leg of FIG. 1;
FIG. 7 is a side perspective view of a second support leg;
FIG. 8 is a bottom perspective view of the support leg of FIG. 7;
FIG. 9 is a side view of the support leg of FIG. 7;
FIG. 10 is a front view of the support leg of FIG. 7;
FIG. 11 is a top view of the support leg of FIG. 7;
FIG. 12 is a bottom view of the support leg of FIG. 7;
FIG. 13 is side perspective view of a third support leg;
FIG. 14 is a bottom perspective view of the support leg of FIG. 13;
FIG. 15 is a side view of the support leg of FIG. 13;
FIG. 16 is a front view of the support leg of FIG. 13;
FIG. 17 is a bottom view of the support leg of FIG. 13;
FIG. 18 is a top view of the support leg of FIG. 13;
FIG. 19 is side perspective view of a fourth support leg;
FIG. 20 is a bottom perspective view of the support leg of FIG. 19;
FIG. 21 is a front view of the support leg of FIG. 19;
FIG. 22 is a side view of the support leg of FIG. 19;
FIG. 23 is a bottom view of the support leg of FIG. 19; and,
FIG. 24 is a top view of the support leg of FIG. 19.
The broken lines shown in the figures are for illustrative purposes only and form no part of the claimed design.

1 Claim, 8 Drawing Sheets



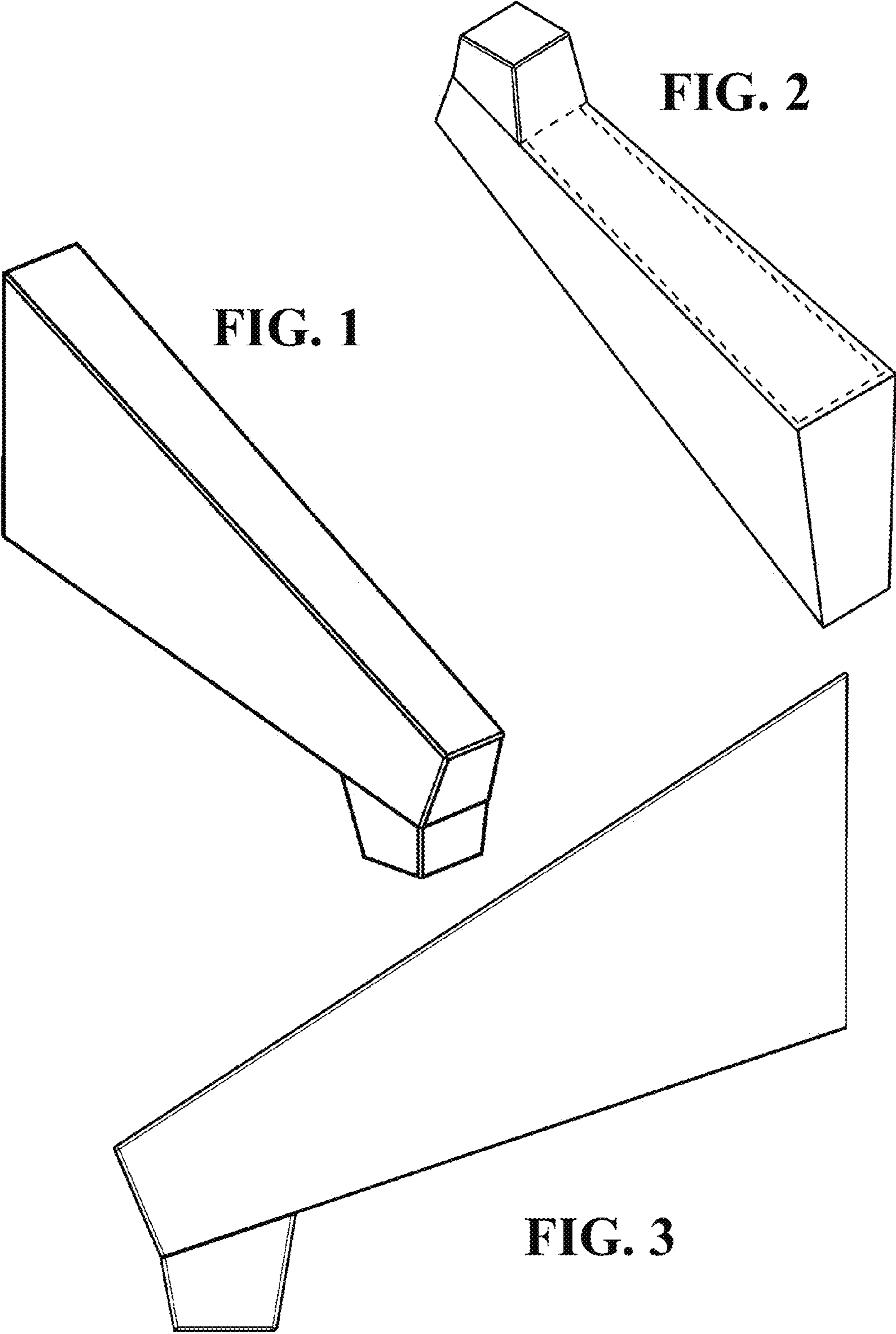


FIG. 4

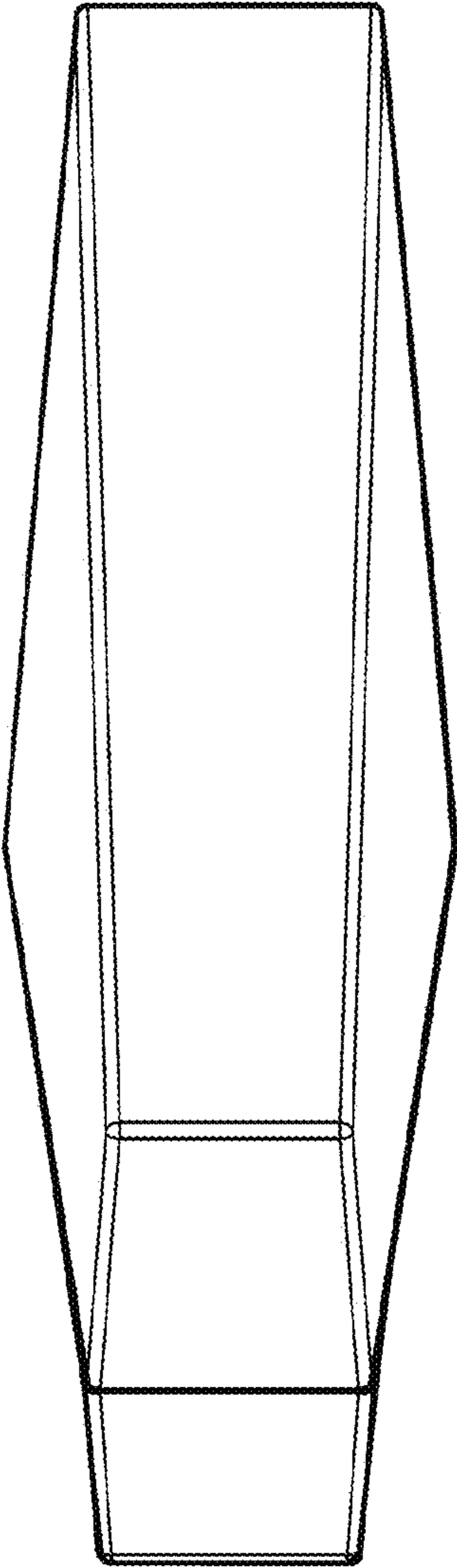


FIG. 5

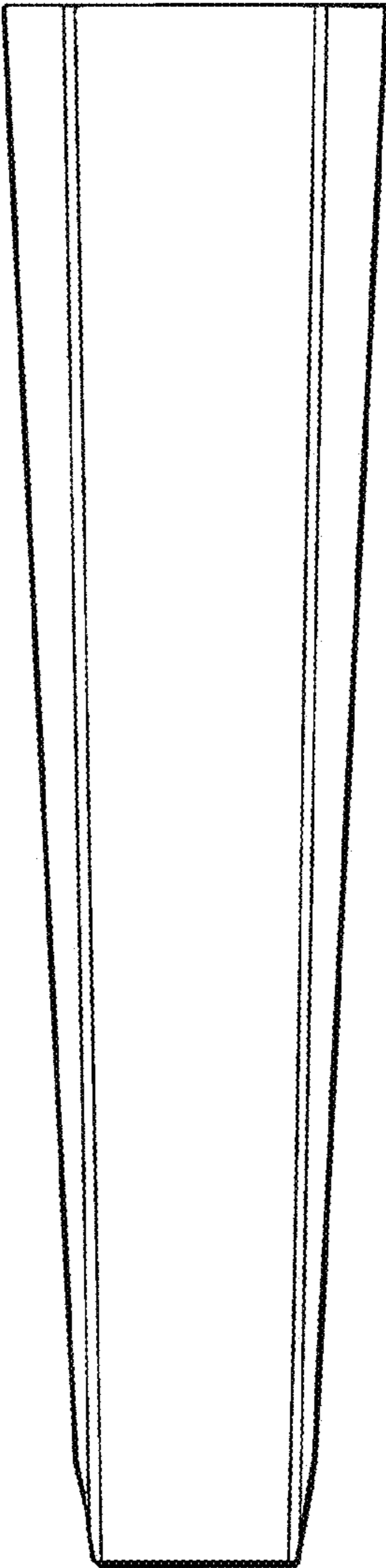
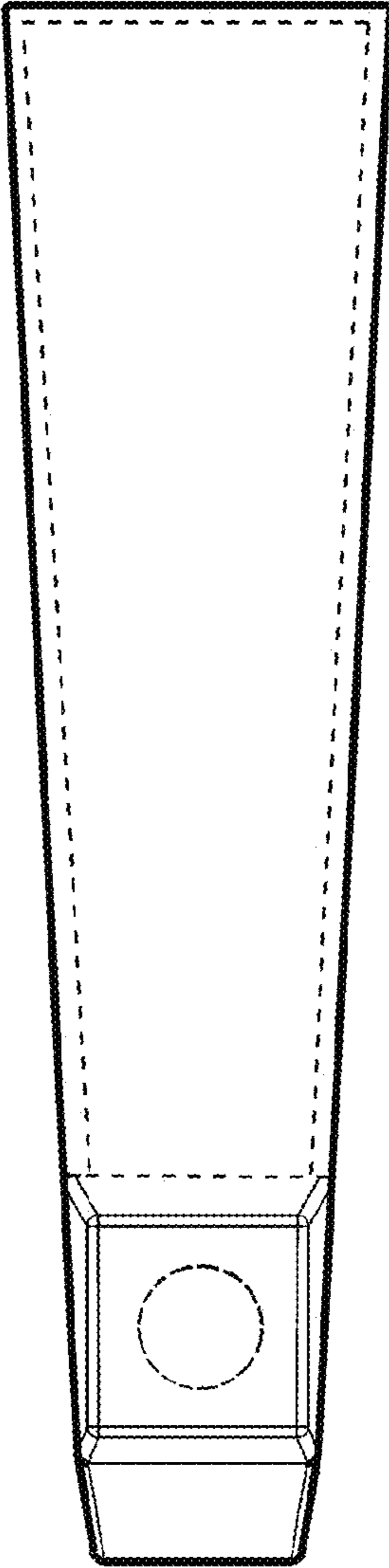


FIG. 6



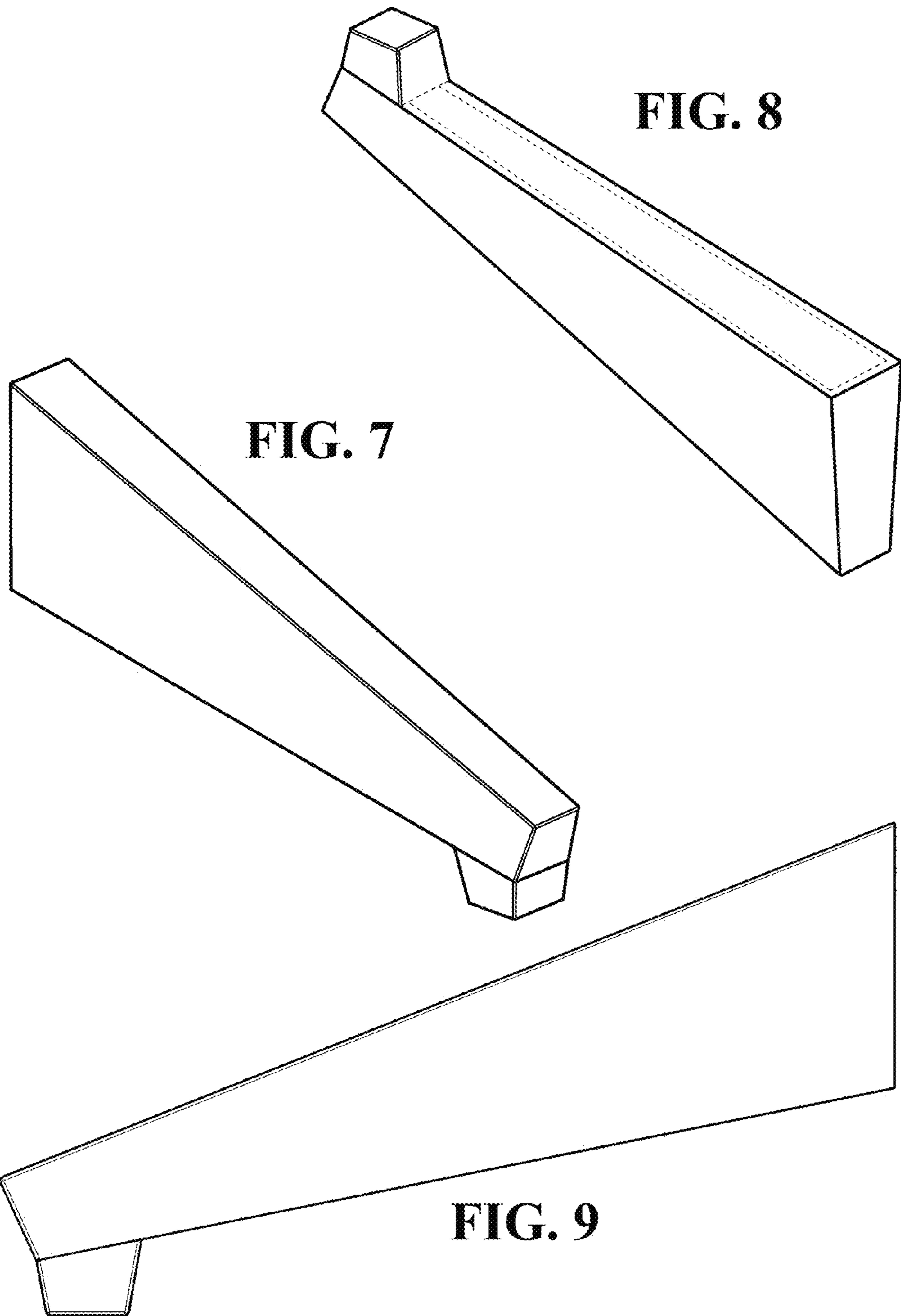


FIG. 10

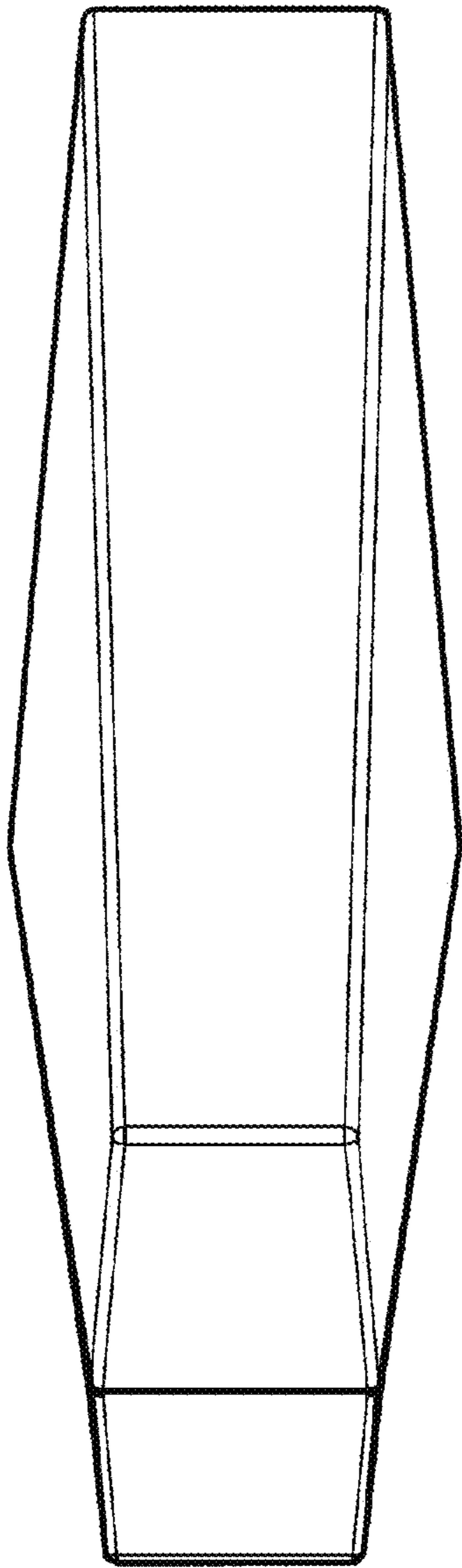


FIG. 11

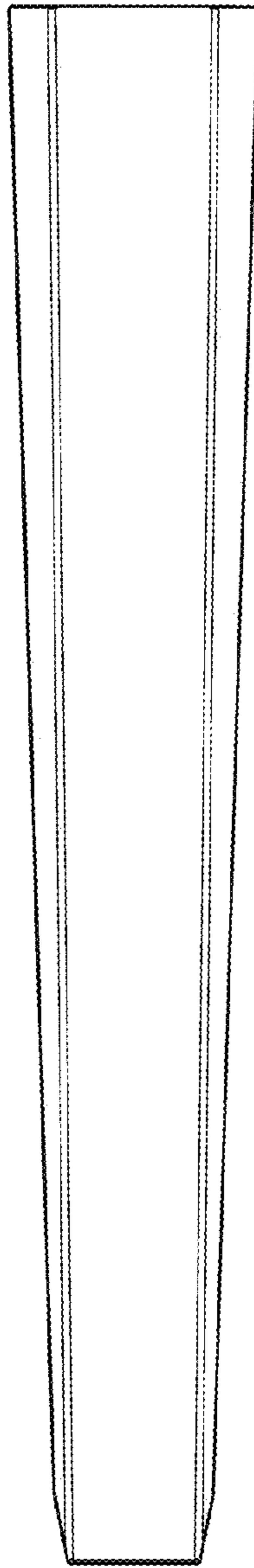
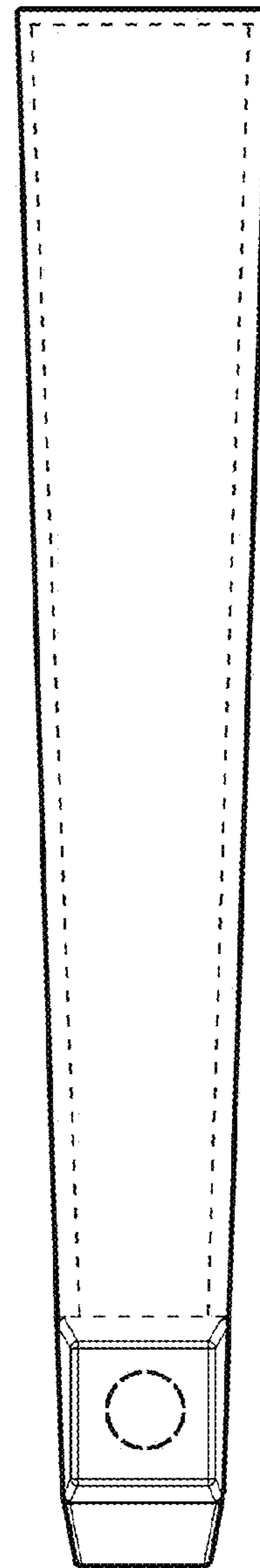


FIG. 12



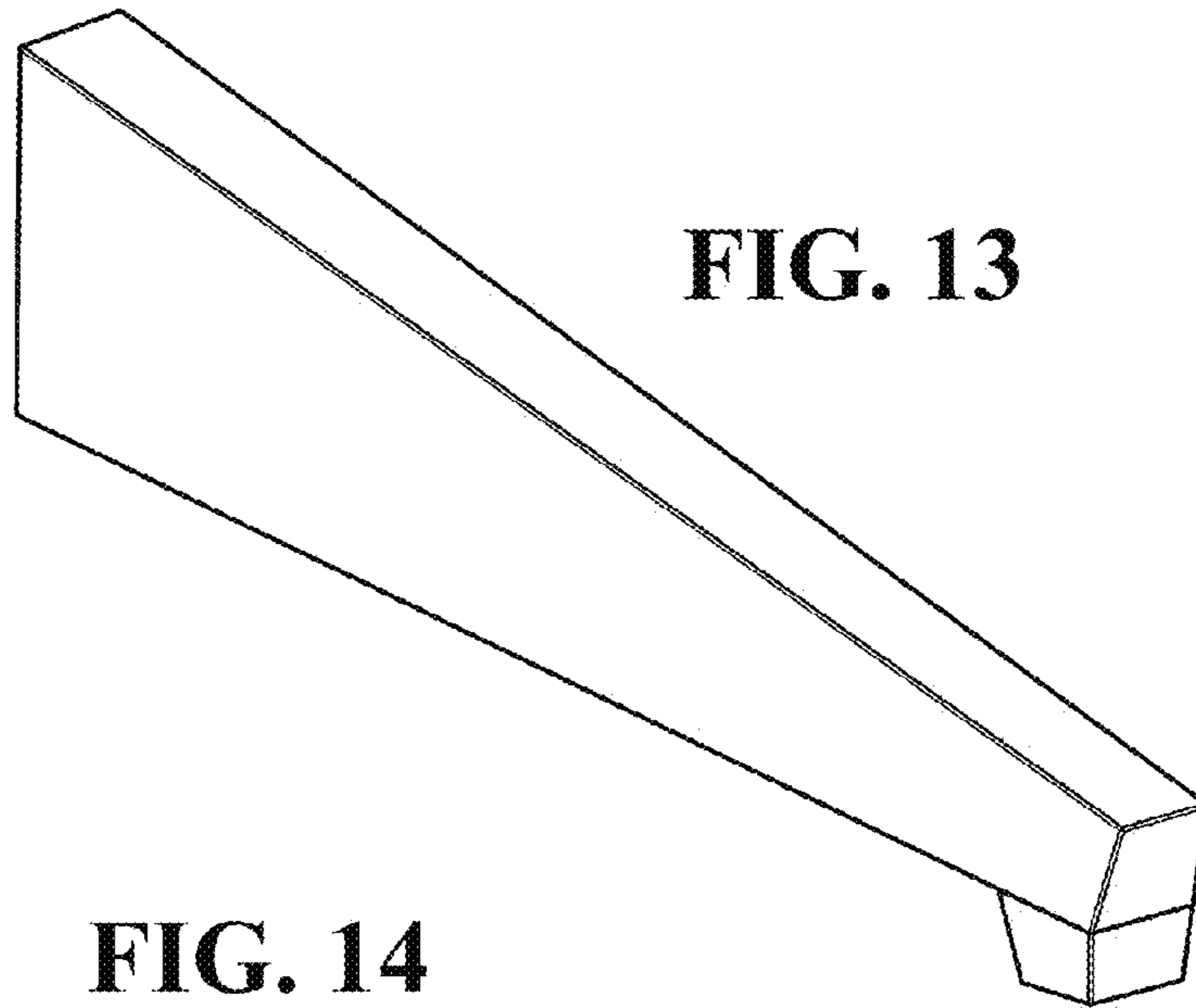


FIG. 13

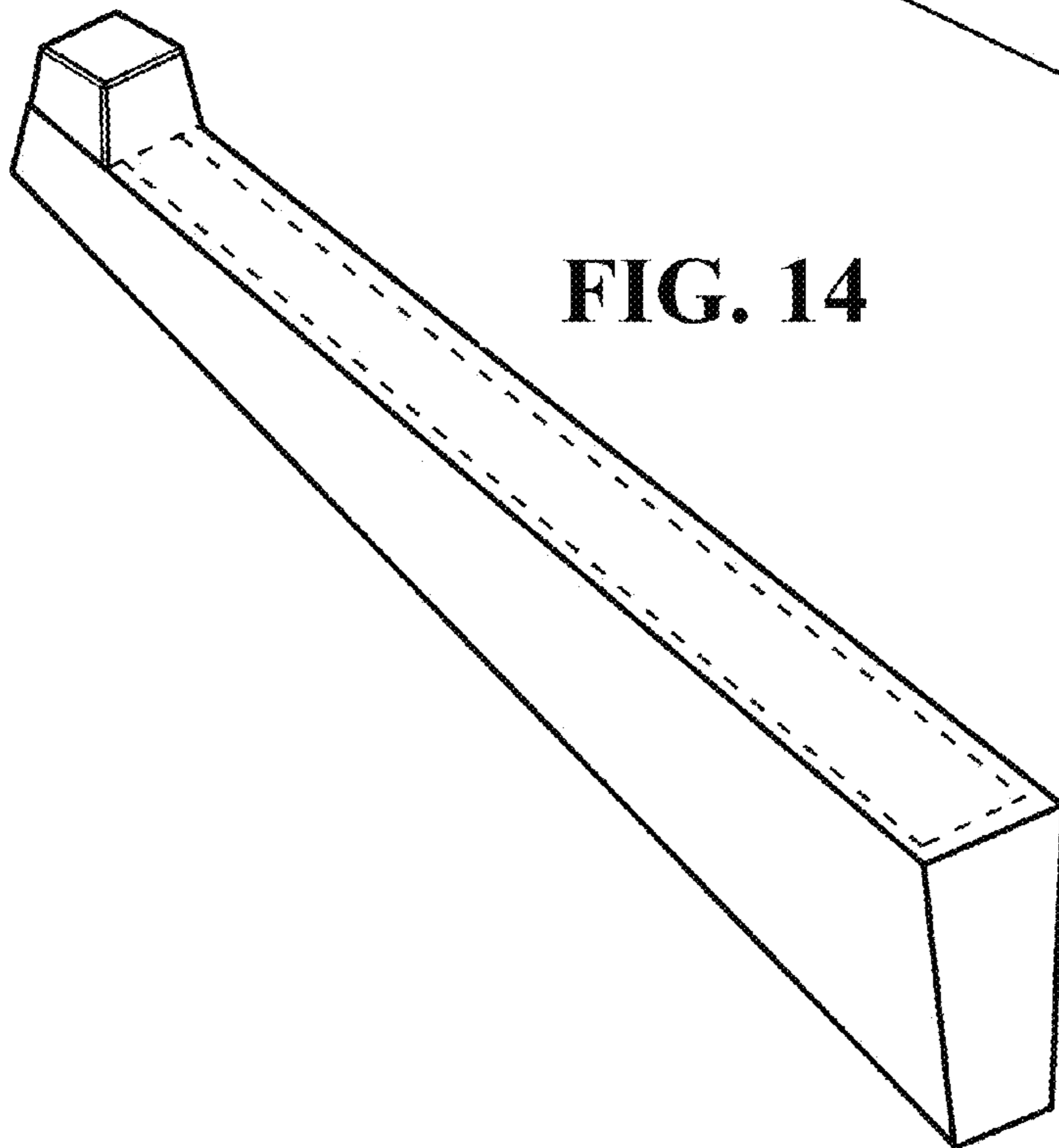


FIG. 14

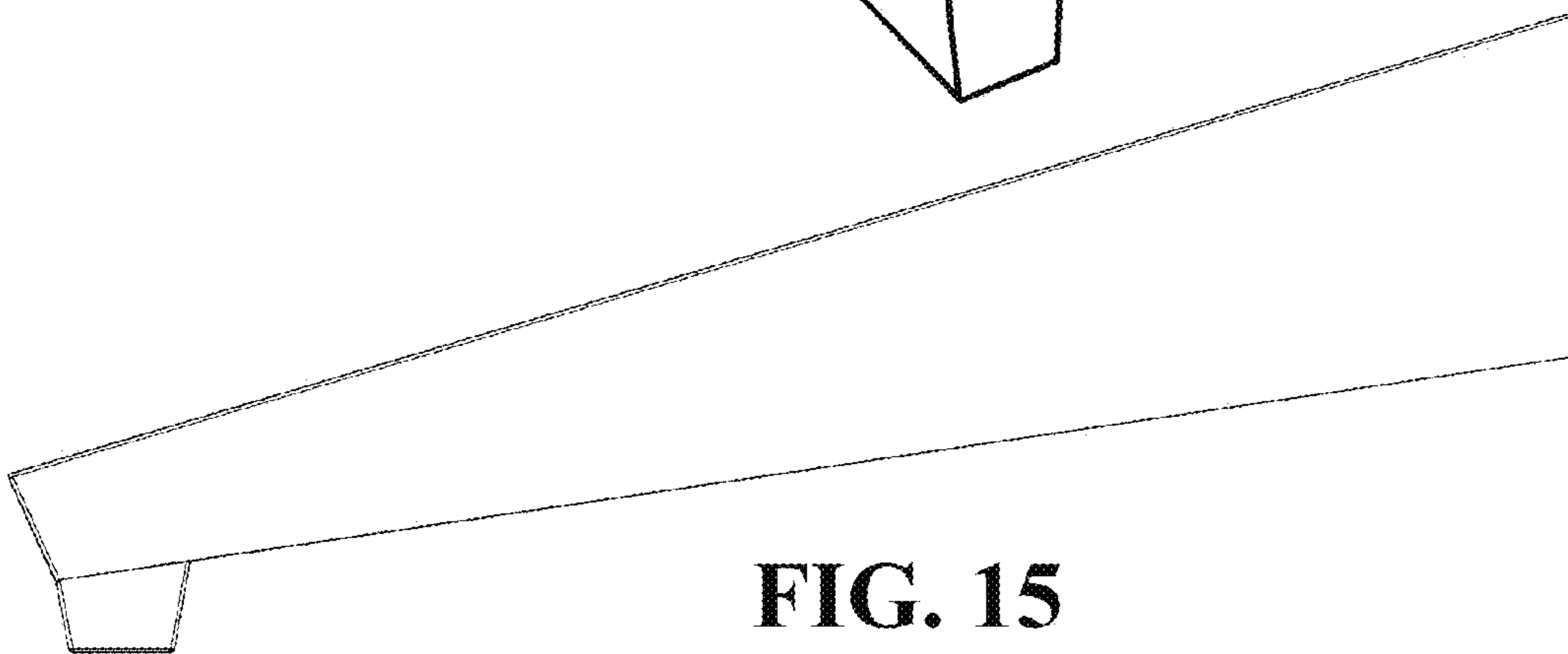


FIG. 15

FIG. 16

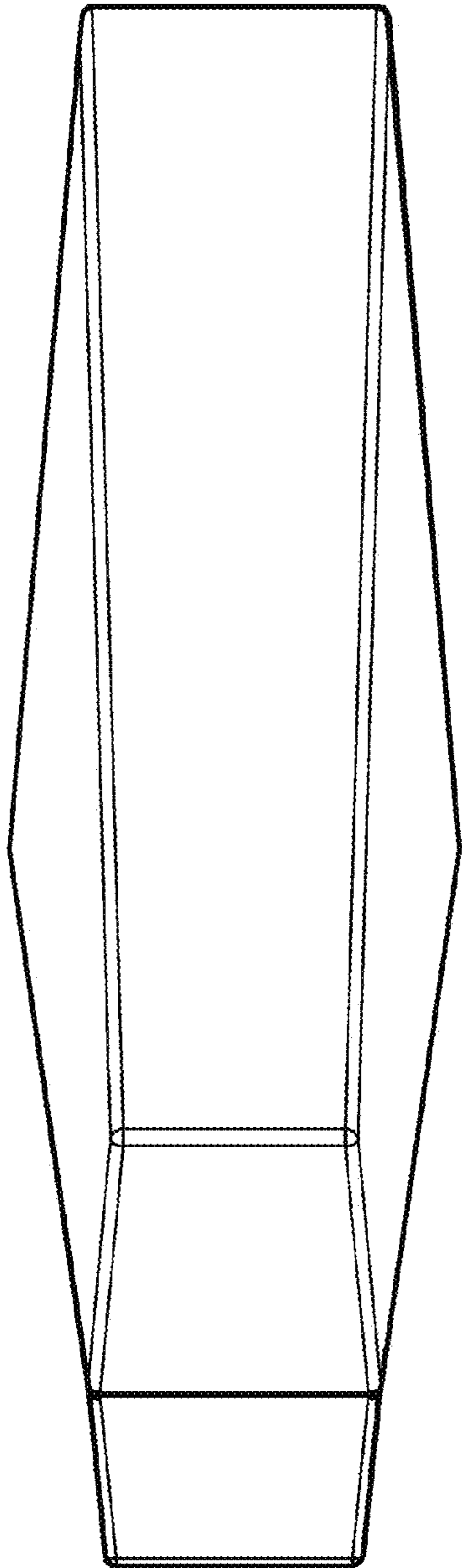


FIG. 17

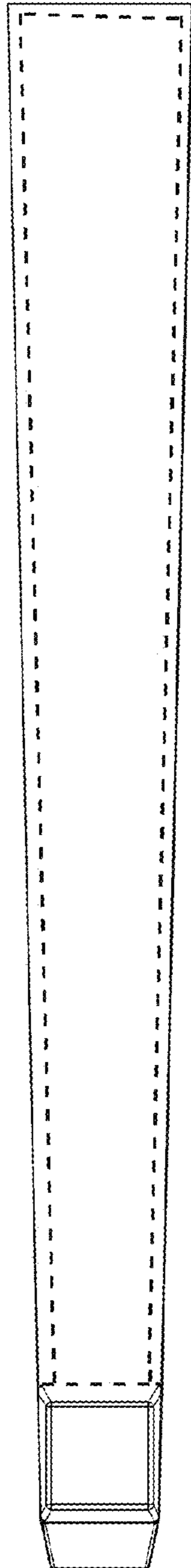
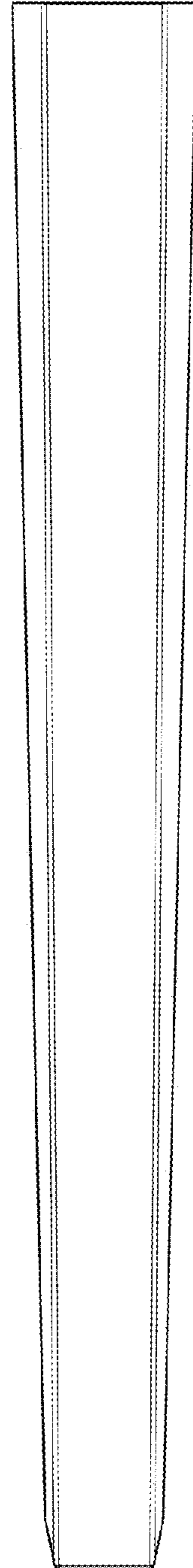


FIG. 18



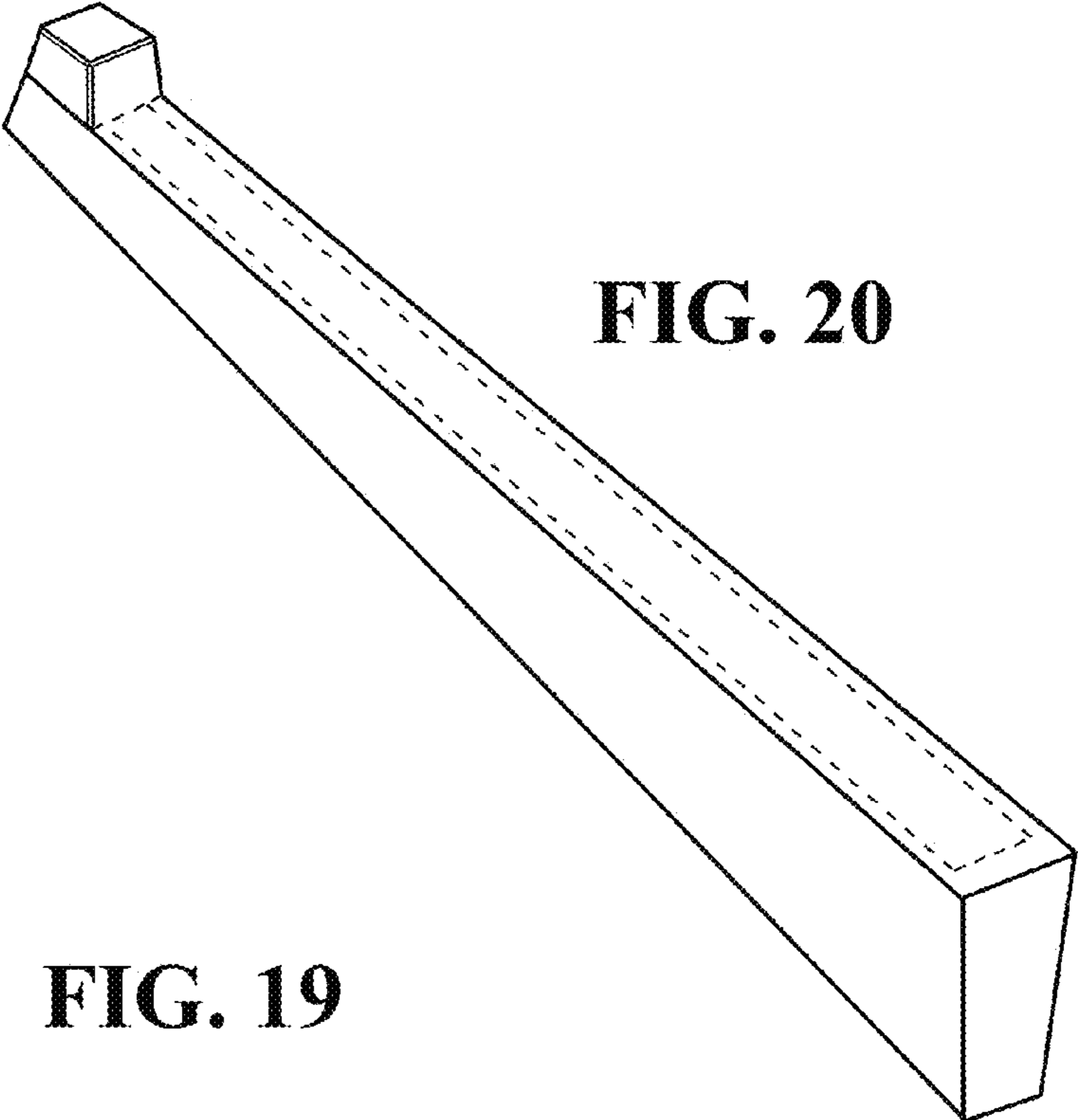


FIG. 20

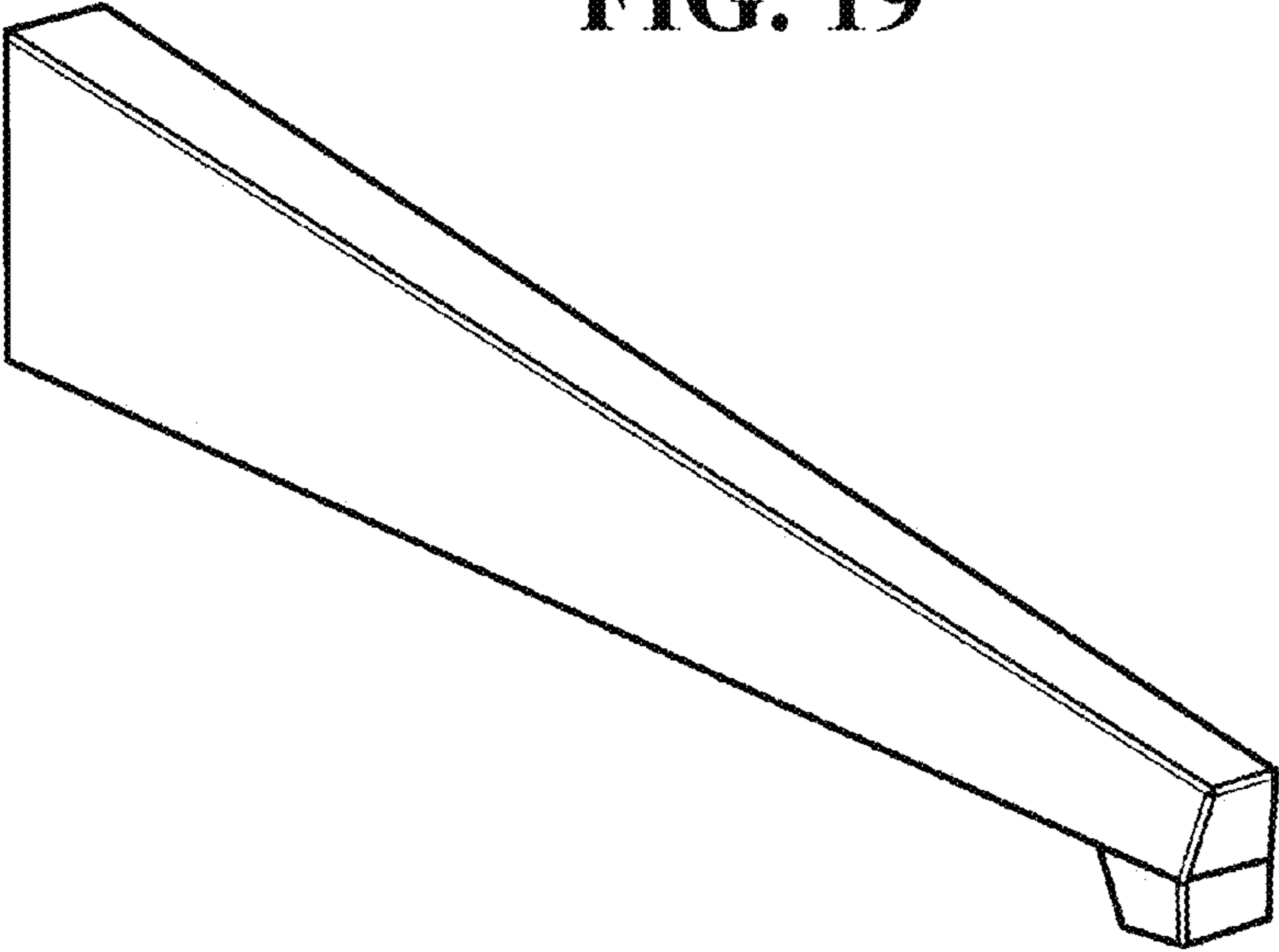


FIG. 19

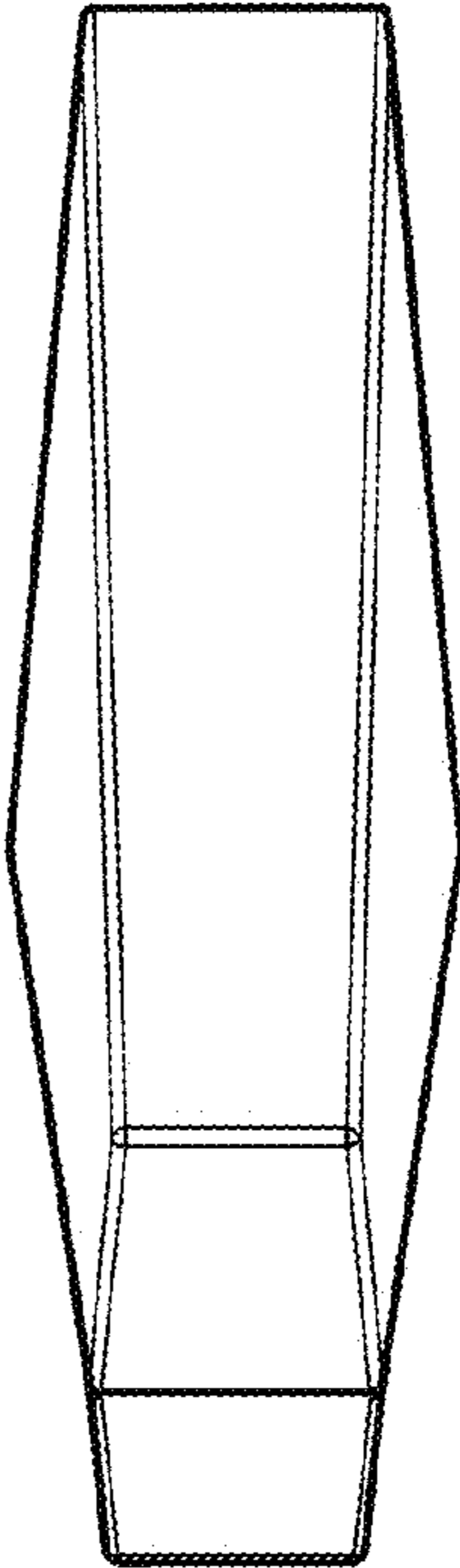


FIG. 21

FIG. 22

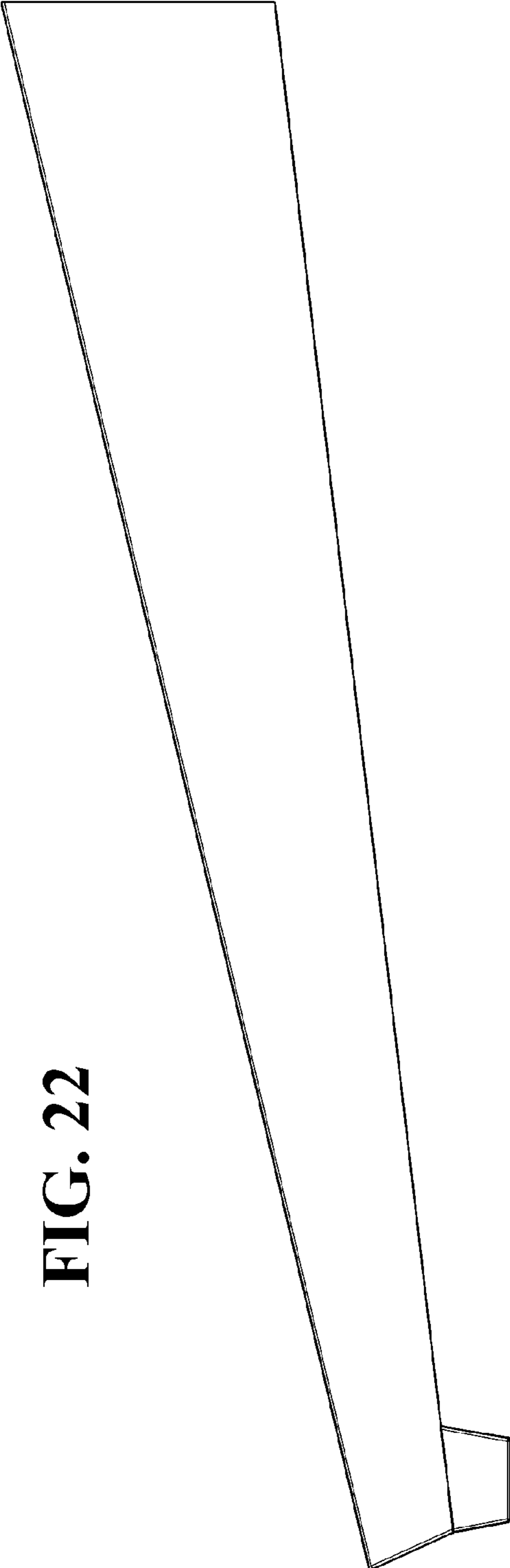


FIG. 23

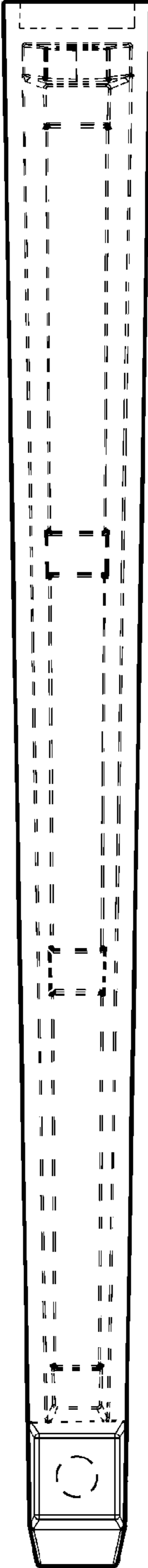


FIG. 24

