



US00D644457S

(12) **United States Design Patent**
Wilson et al.

(10) **Patent No.:** **US D644,457 S**
(45) **Date of Patent:** **** Sep. 6, 2011**

(54) **TABLE**
(75) Inventors: **Scott Wilson**, Chicago, IL (US); **D. Matthew Puhalla**, Chicago, IL (US)
(73) Assignee: **Steelcase Inc.**, Grand Rapids, MI (US)
(**) Term: **14 Years**
(21) Appl. No.: **29/360,940**
(22) Filed: **May 3, 2010**
(51) **LOC (9) Cl.** **06-03**
(52) **U.S. Cl.** **D6/486**
(58) **Field of Classification Search** D6/480-489,
D6/429-431, 495-499, 423; 108/150, 153.1,
108/155, 156, 161, 65, 93; 248/188, 188.1,
248/188.7, 188.8

4,660,477 A 4/1987 Kortering et al.
4,679,510 A 7/1987 Veyhl et al.
4,717,112 A 1/1988 Pirkle
4,736,689 A 4/1988 Stanko
4,815,393 A 3/1989 Pollak
4,828,342 A 5/1989 Stefan
4,890,561 A 1/1990 Hampshire et al.
D306,242 S 2/1990 Morozzi
5,109,778 A 5/1992 Berkowitz et al.
5,156,095 A 10/1992 Hansbaek et al.
D331,334 S 12/1992 Hollington
5,172,641 A 12/1992 Auer
D333,058 S 2/1993 Diffrient
D333,300 S 2/1993 Hatcher
5,205,223 A 4/1993 Ball et al.
5,237,937 A 8/1993 Peltier et al.
5,251,556 A 10/1993 Ravenelle et al.
5,287,815 A 2/1994 Gross
D350,446 S 9/1994 Sauvage

(Continued)

See application file for complete search history.

Primary Examiner — Janice Seeger
(74) *Attorney, Agent, or Firm* — Prince Heneveld LLP

(56) **References Cited**

U.S. PATENT DOCUMENTS

1,658,931 A 2/1928 Meyer
1,875,377 A 9/1932 Hanson
2,357,668 A 9/1944 Laham
D190,998 S * 8/1961 Schultz D6/486
3,145,668 A 8/1964 Pantazos
3,361,508 A 1/1968 Chassevent
3,794,398 A 2/1974 Lindsay
3,806,220 A 4/1974 Payne
D236,402 S 8/1975 Lubke
3,915,100 A 10/1975 Sullivan
4,099,470 A 7/1978 Cannon, Jr.
4,194,452 A 3/1980 Crowther et al.
4,223,860 A 9/1980 Prest
4,248,477 A 2/1981 Netters
4,440,096 A 4/1984 Rice et al.
D276,955 S 1/1985 Hanemaayer
4,511,111 A 4/1985 Godfrey et al.
D280,368 S * 9/1985 Crespi D6/430
4,566,661 A 1/1986 Mestler
4,600,255 A 7/1986 Dubarko
D287,678 S 1/1987 Hatcher et al.
D289,474 S 4/1987 Underwood et al.

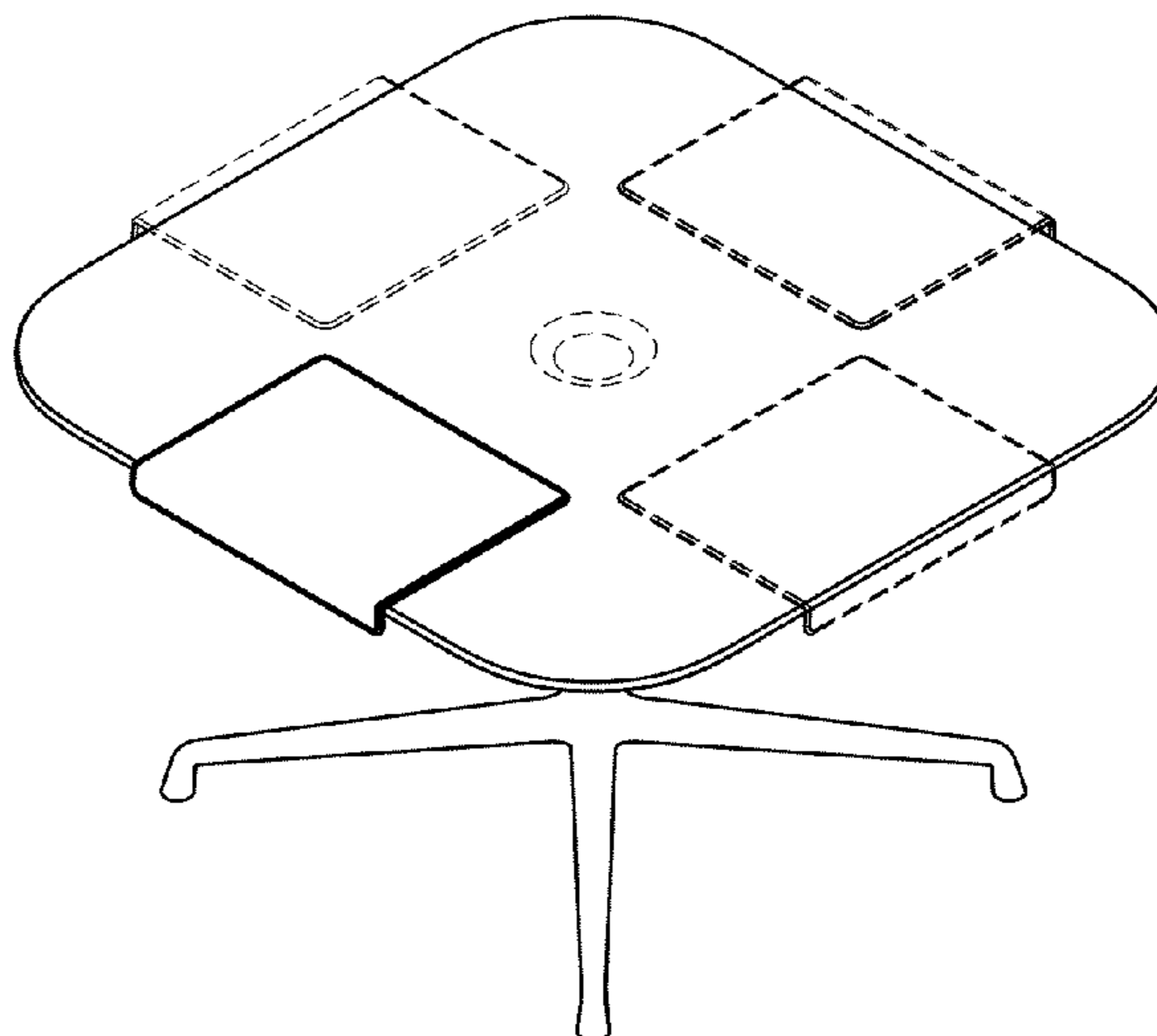
(57) **CLAIM**

We claim the ornamental design for the table, as shown and described.

DESCRIPTION

FIG. 1 is a perspective view of the table embodying the present invention;
FIG. 2 is a first side elevational view of the table shown in FIG. 1;
FIG. 3 is a rear perspective view of the table shown in FIG. 1;
FIG. 4 is a second side elevational view the table shown in FIG. 1;
FIG. 5 is a front perspective view of the table shown in FIG. 1; and,
FIG. 6 is a top plan view of the table shown in FIG. 1.
Dashed lines and broken lines are for the purposes of illustrating environmental structure, and form no part of the claimed design.

1 Claim, 2 Drawing Sheets



US D644,457 S

U.S. PATENT DOCUMENTS					
5,363,772 A	11/1994	Adamidis	6,609,465 B2	8/2003	Kolavo
D355,317 S	2/1995	Gutgsell	6,615,744 B1	9/2003	Eckstein et al.
D356,913 S	4/1995	Walsh	D492,505 S	7/2004	Newhouse
D358,050 S	5/1995	Koning	D492,515 S	7/2004	Domack
5,410,972 A	5/1995	Schairbaum	D492,517 S	7/2004	Risdon et al.
5,421,271 A	6/1995	Sui	D493,986 S	8/2004	Fu
5,425,313 A	6/1995	Rowan	D494,787 S	8/2004	Fu
5,443,017 A	8/1995	Wacker et al.	6,786,161 B2	9/2004	Fischer
5,443,237 A	8/1995	Stadtmauer	6,799,816 B2	10/2004	Touzani
5,458,070 A	10/1995	Gamba et al.	6,802,264 B2	10/2004	Kasak et al.
D364,290 S	11/1995	Watts	6,820,847 B2	11/2004	Camarota et al.
5,490,466 A	2/1996	Diffrient	6,874,429 B2	4/2005	Bosman et al.
5,522,323 A	6/1996	Richard	6,874,431 B1	4/2005	Danna
5,528,996 A	6/1996	Edwards et al.	D507,436 S	7/2005	Chao
D376,932 S	12/1996	Hsu et al.	7,004,081 B2	2/2006	Chang
5,586,816 A	12/1996	Geiss, II	D521,770 S *	5/2006	Madison D6/425
5,607,213 A	3/1997	Slivon et al.	7,059,370 B2	6/2006	Wang
5,638,758 A	6/1997	Carr	D526,822 S	8/2006	Chen et al.
5,655,823 A	8/1997	Schairbaum	D530,543 S	10/2006	High
D386,022 S *	11/1997	Bennett D6/486	7,207,540 B2	4/2007	Thomas
5,692,815 A	12/1997	Murphy	D543,058 S	5/2007	Quintal
5,720,230 A	2/1998	Mansfield	D544,734 S	6/2007	Quintal
5,735,222 A	4/1998	Webb	D549,014 S	8/2007	Donati
D393,969 S	5/1998	Jenkins et al.	D553,883 S	10/2007	DeJule
5,758,934 A	6/1998	Flutka et al.	D555,946 S	11/2007	DeJule
5,769,514 A	6/1998	Brown et al.	7,311,047 B2	12/2007	Conley et al.
D400,743 S	11/1998	Jenkins et al.	D560,406 S	1/2008	Privatt et al.
D402,831 S	12/1998	Chalmers	D561,497 S	2/2008	Alter Molina
5,857,415 A	1/1999	Richard	D569,136 S	5/2008	Pearsons et al.
D407,233 S	3/1999	Naas et al.	D569,662 S	5/2008	Simonsen
D407,583 S	4/1999	Perl	D569,663 S	5/2008	Pearsons et al.
D409,856 S	5/1999	Rice, Jr.	D574,164 S	8/2008	Lambert et al.
D409,861 S	5/1999	Newhouse	D575,967 S	9/2008	Cuvilly
5,901,934 A	5/1999	Wilson	D575,968 S	9/2008	Saffell et al.
5,909,934 A	6/1999	McGraw	D578,806 S	10/2008	Lievore
D412,256 S	7/1999	Gutgsell	D579,239 S *	10/2008	Massaud D6/486
5,927,213 A	7/1999	Leday	D580,687 S	11/2008	Saffell et al.
6,009,814 A	1/2000	Rossi	7,455,018 B2	11/2008	Conley et al.
6,024,024 A	2/2000	Favaretto	D585,218 S	1/2009	Hamilton et al.
D424,844 S	5/2000	Gutgsell	D585,669 S	2/2009	Gharabegian
6,099,093 A	8/2000	Spence	D588,832 S	3/2009	Mohundro
D435,370 S	12/2000	Gutgsell	D588,847 S	3/2009	Lovegrove
6,202,568 B1	3/2001	Kochanski et al.	D590,187 S	4/2009	Domack et al.
D439,772 S	4/2001	Gutgsell	7,523,905 B2	4/2009	Timm et al.
6,234,085 B1	5/2001	Ramundo	D596,892 S	7/2009	Vanderminden
D443,440 S	6/2001	Deimen et al.	D597,345 S	8/2009	Oshinomi et al.
D444,325 S	7/2001	DeJule	D604,958 S *	12/2009	Symons D6/430
D445,605 S	7/2001	Mourgue	D607,239 S	1/2010	Gershfeld
D445,606 S	7/2001	Mourgue	7,886,674 B2 *	2/2011	Behnke 108/150
6,279,489 B1	8/2001	Daniel	2002/0050234 A1	5/2002	Lechman
D447,895 S	9/2001	Chen	2003/0010260 A1	1/2003	Chang
6,299,267 B1	10/2001	Butters	2003/0042380 A1	3/2003	Hagglund et al.
6,308,643 B1	10/2001	Cummings	2003/0070595 A1	4/2003	Crinion
D450,210 S	11/2001	Rich	2003/0110989 A1	6/2003	Chuang
6,332,407 B1	12/2001	Vardaro	2003/0230222 A1	12/2003	Liu
6,398,326 B1	6/2002	Wang	2004/0090153 A1	5/2004	Touzani
D460,884 S	7/2002	Koepke et al.	2004/0194670 A1	10/2004	Lai
6,446,564 B1	9/2002	Anderson	2004/0256524 A1	12/2004	Beck et al.
6,463,862 B1	10/2002	Kuhlman et al.	2005/0145142 A1	7/2005	Korber et al.
6,474,760 B2	11/2002	Rauls	2005/0285004 A1	12/2005	Elgie et al.
6,481,683 B1	11/2002	Stewart et al.	2006/0096506 A1	5/2006	Brauning et al.
6,490,981 B2	12/2002	Isensee et al.	2006/0174807 A1	8/2006	Dral et al.
6,505,566 B1	1/2003	Foster et al.	2006/0191446 A1	8/2006	Discacciati
6,523,795 B2	2/2003	Gutgsell et al.	2008/0210142 A1	9/2008	Dewaard
6,523,898 B1	2/2003	Ball et al.	2008/0296937 A1	12/2008	Cinque
6,526,895 B1	3/2003	Kochanski et al.	2010/0024691 A1	2/2010	Weber

* cited by examiner

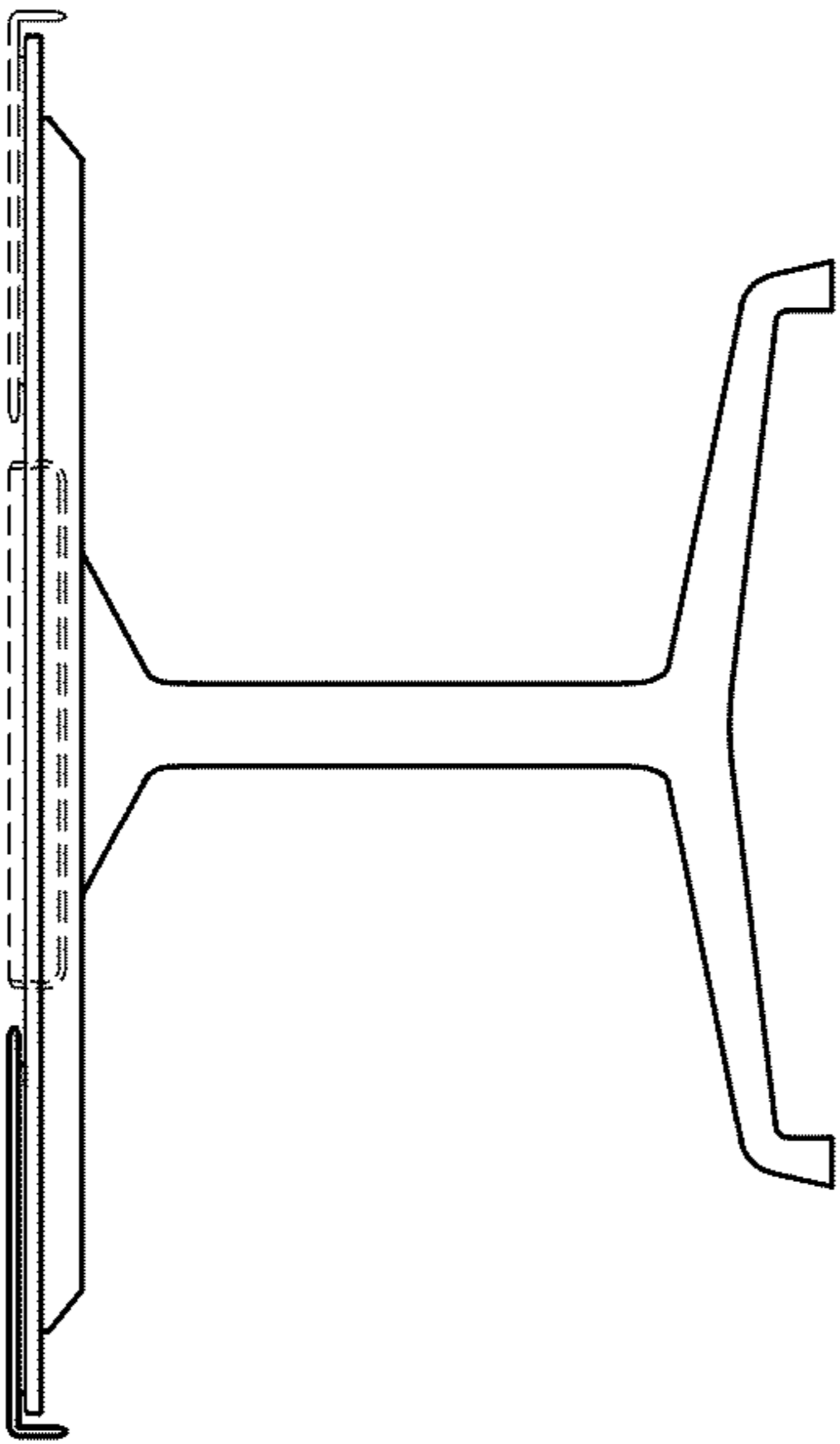


FIG. 2

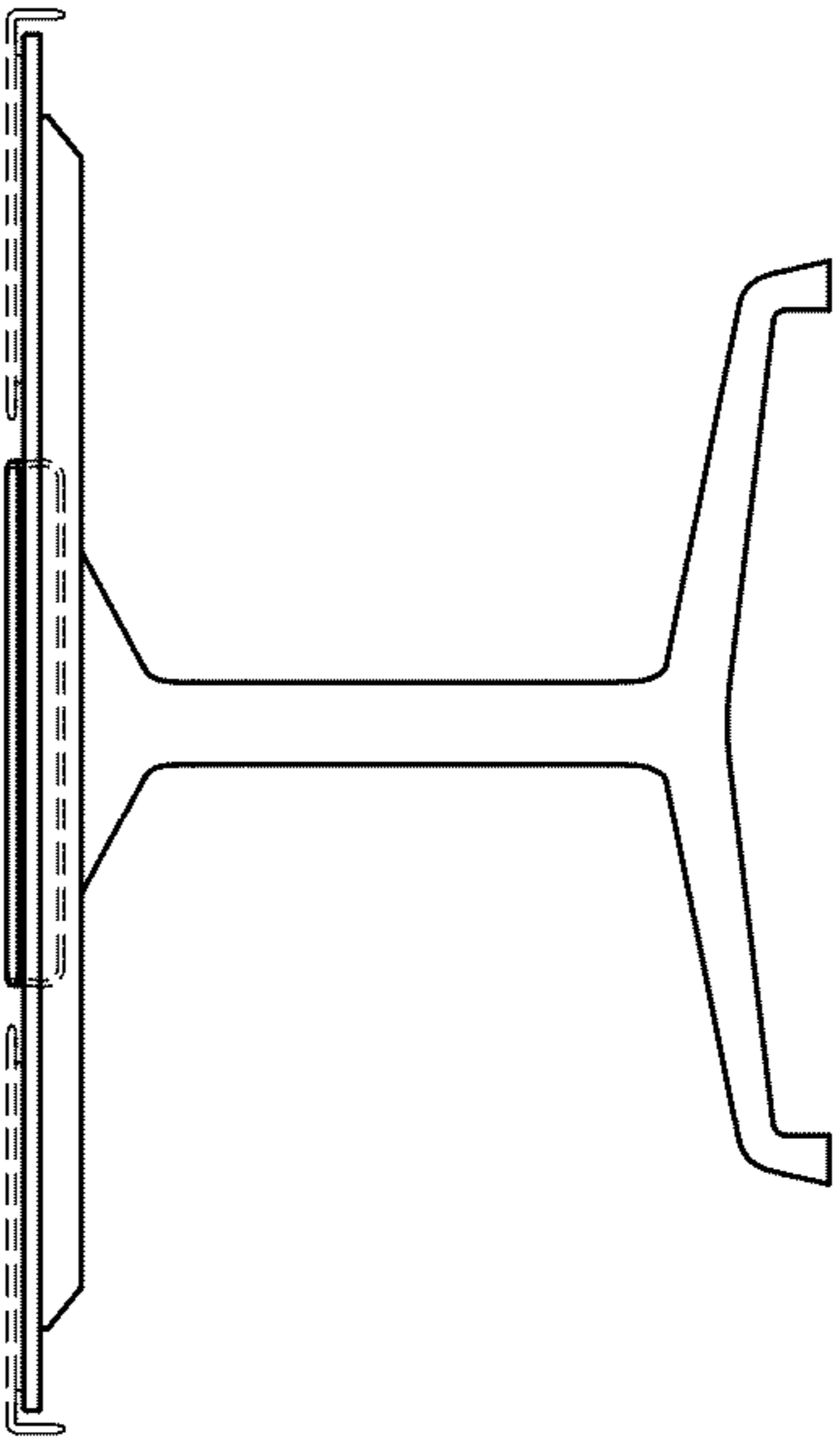


FIG. 3

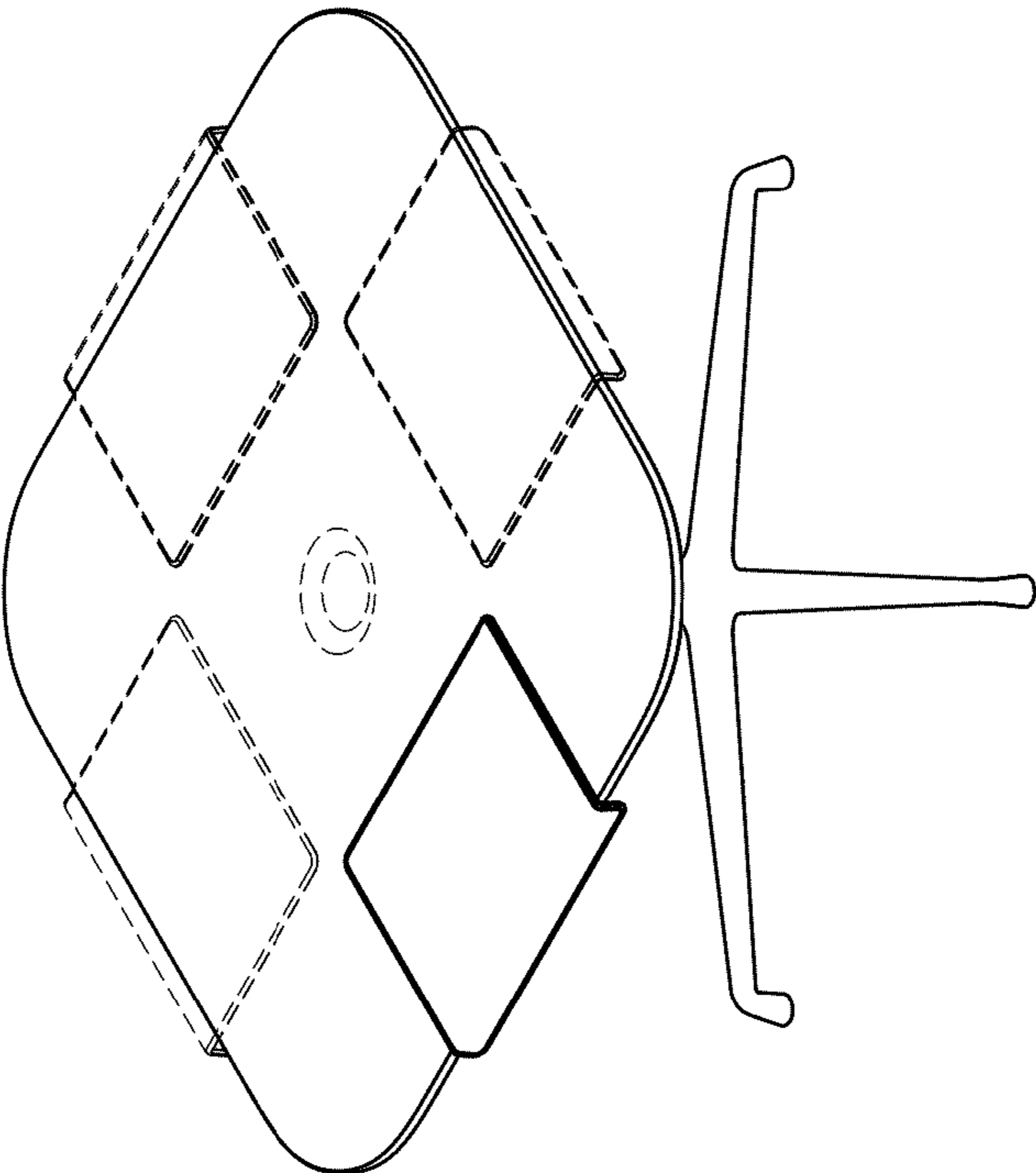


FIG. 1

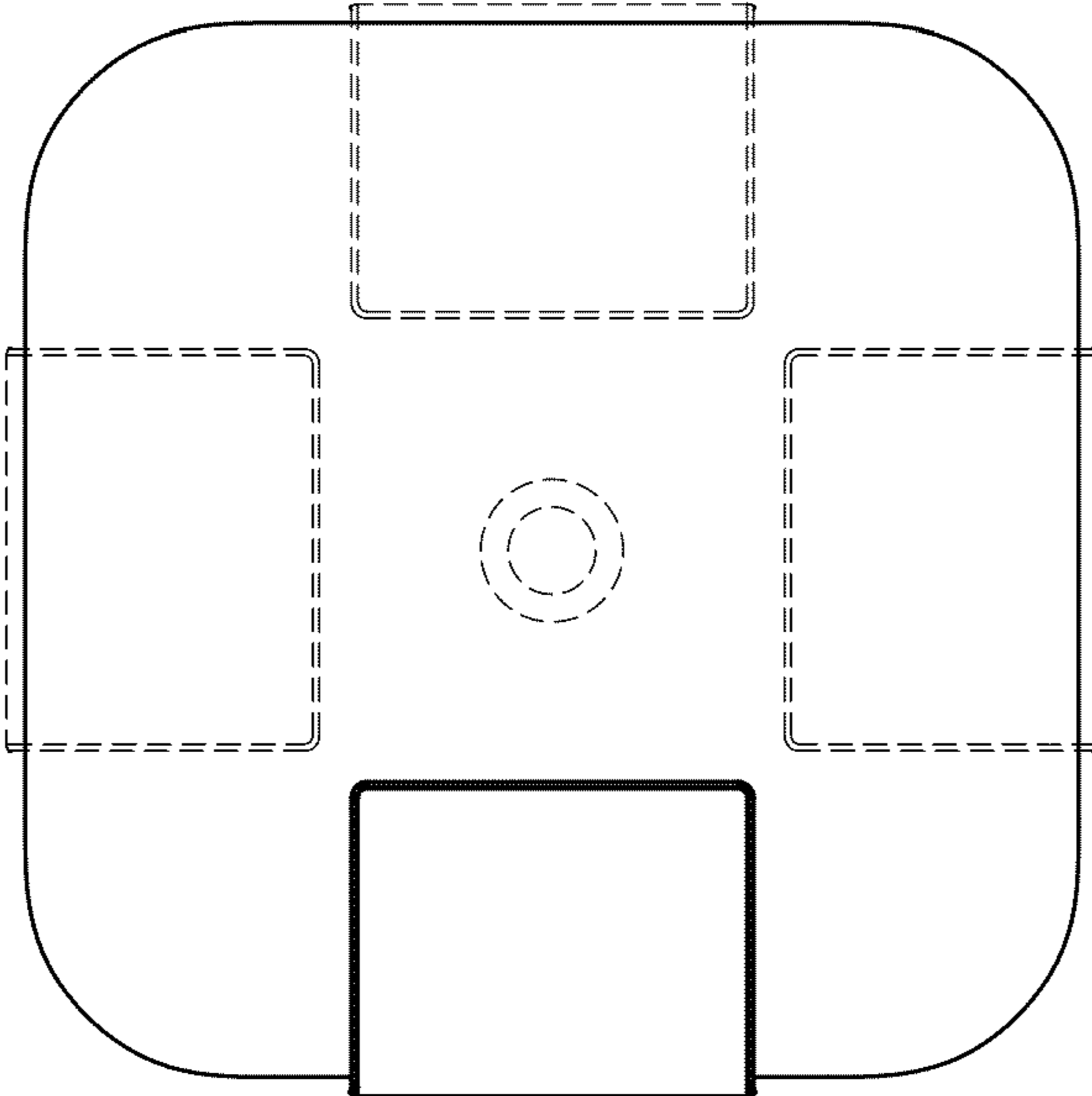


FIG. 6

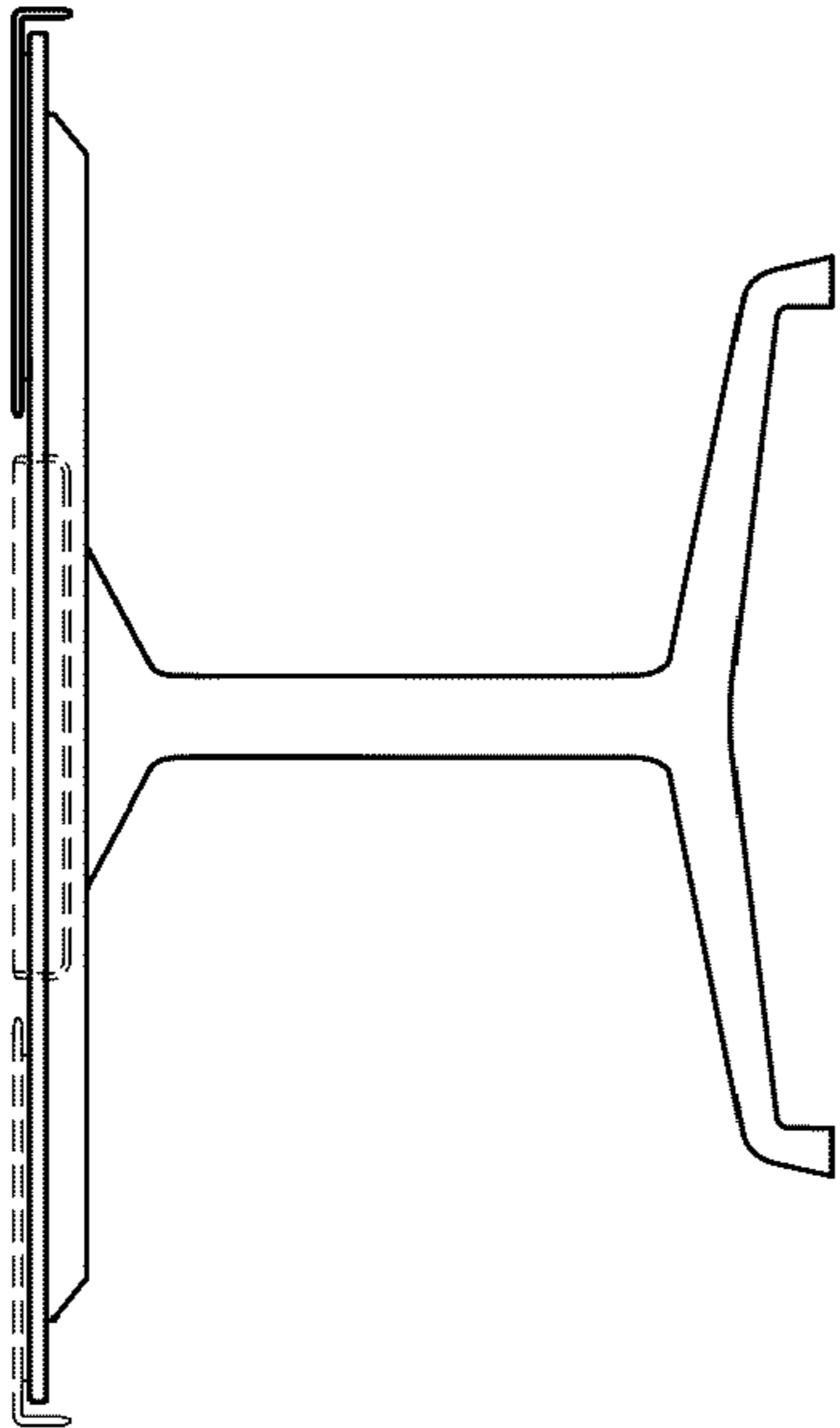


FIG. 4

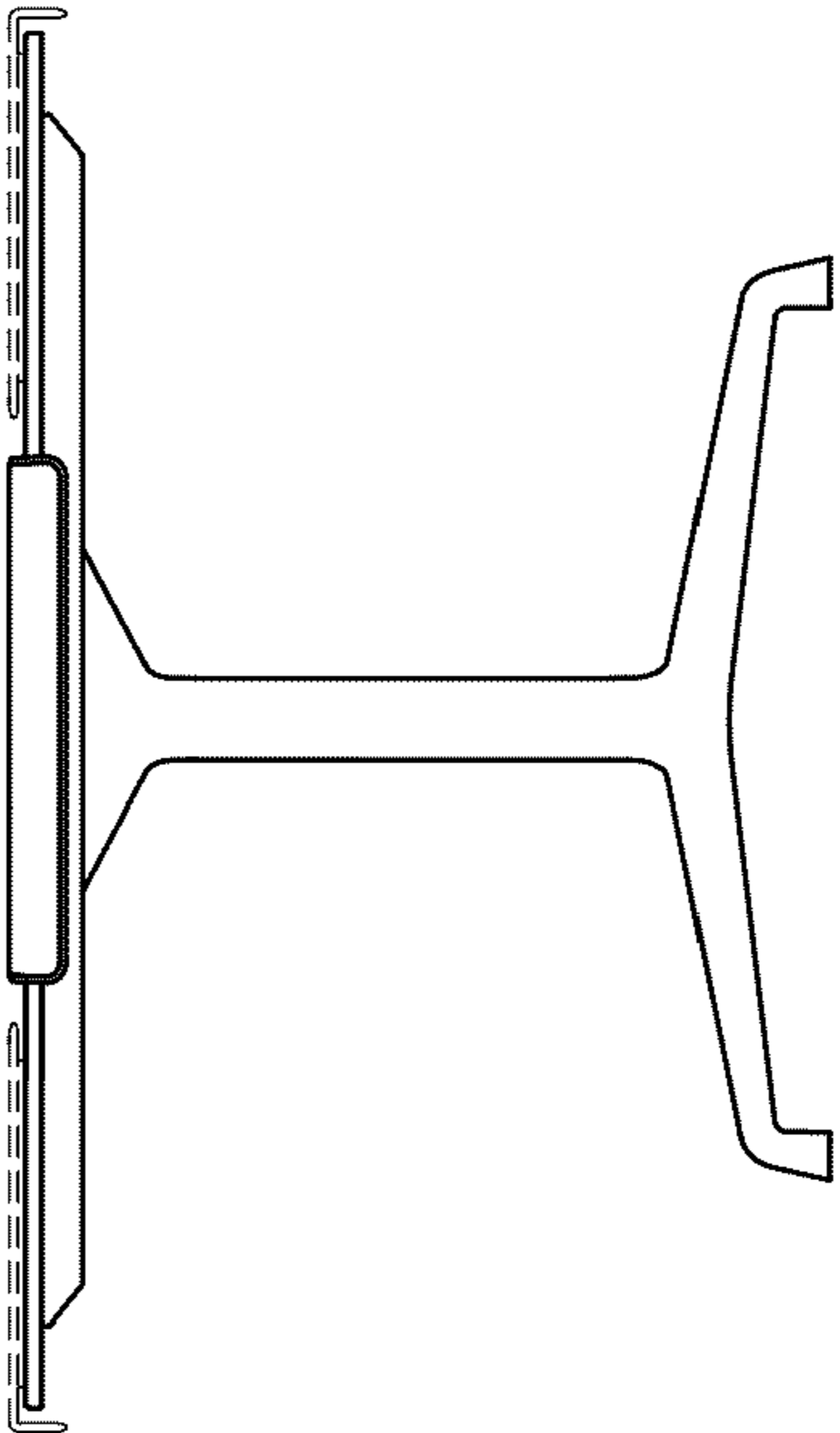


FIG. 5