



US00D644456S

(12) **United States Design Patent**
Martin

(10) **Patent No.:** **US D644,456 S**

(45) **Date of Patent:** **** Sep. 6, 2011**

- (54) **PERSONAL TABLE**
- (75) Inventor: **Kirt D. Martin**, Alto, MI (US)
- (73) Assignee: **Steelcase Inc.**, Grand Rapids, MI (US)
- (**) Term: **14 Years**
- (21) Appl. No.: **29/360,526**
- (22) Filed: **Apr. 27, 2010**
- (51) **LOC (9) Cl.** **06-06**
- (52) **U.S. Cl.** **D6/483; D6/485**
- (58) **Field of Classification Search** D6/480-489,
D6/429-431, 495-499; 108/150, 153.1,
108/155, 156, 161, 144.11, 146, 147, 147.19,
108/147.21; 248/188, 188.1, 188.7, 188.8
See application file for complete search history.

- 4,938,153 A 7/1990 Maes
- D325,035 S 3/1992 Sparks
- D327,796 S * 7/1992 Ryaa D6/500
- D328,677 S 8/1992 White
- D334,304 S 3/1993 Gilman
- D338,576 S 8/1993 Livi
- D344,076 S 2/1994 Zahabi
- D347,533 S 6/1994 Lambert
- 5,358,208 A 10/1994 Moseley, III et al.
- D356,911 S 4/1995 Bubb
- D366,781 S 2/1996 Cartwright
- 5,603,267 A 2/1997 Soper
- 5,606,917 A 3/1997 Cauffiel
- D406,964 S 3/1999 Lewis

(Continued)

(56) **References Cited**

U.S. PATENT DOCUMENTS

- 3,058,793 A 10/1962 Schultz
- 3,212,464 A * 10/1965 Steuer 108/159
- 3,240,170 A 3/1966 Shave
- 3,361,088 A 1/1968 Hodgkin
- 3,561,376 A 2/1971 Knoblock
- D262,171 S 12/1981 Lustig
- D275,164 S 8/1984 Buck
- D276,767 S 12/1984 Livi
- D282,034 S 1/1986 Janke
- D283,865 S 5/1986 Bergelin
- D289,588 S 5/1987 Winzeler, III
- D290,706 S 7/1987 Peart et al.
- D293,493 S 12/1987 Garr
- D296,284 S 6/1988 Colby
- D299,601 S 1/1989 Campbell
- 4,819,568 A 4/1989 Coffrin
- D300,996 S 5/1989 Colby
- D306,243 S 2/1990 Livi
- D307,519 S 5/1990 Wright

OTHER PUBLICATIONS

Public showing, NEOCON® World Trade Fair 2008, Jun. 14, 2008, Chicago, IL.

Primary Examiner — Janice Seeger

(74) *Attorney, Agent, or Firm* — Price Heneveld LLP

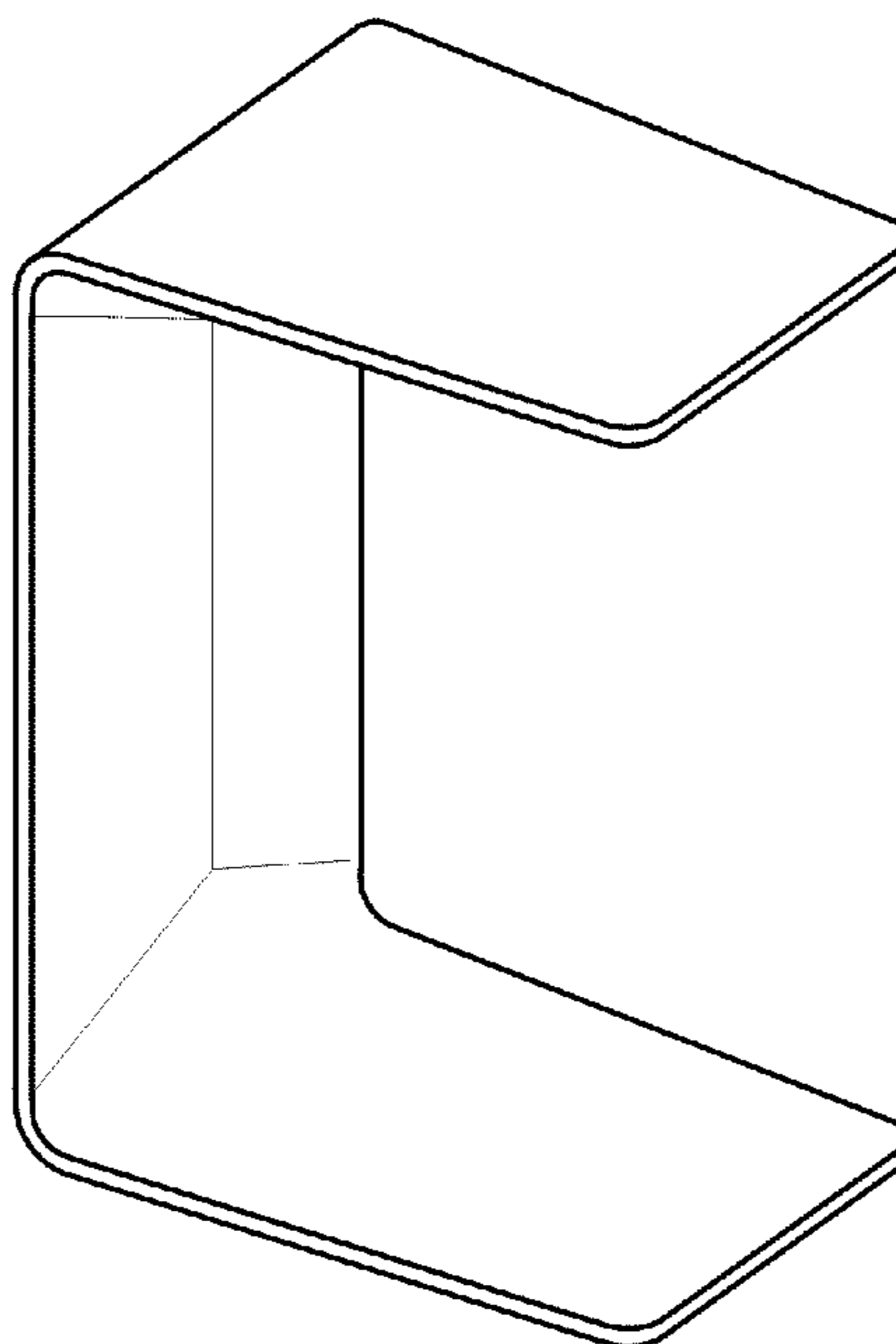
(57) **CLAIM**

I claim the ornamental design for a personal table, as shown.

DESCRIPTION

FIG. 1 is a perspective view showing a front, top and side of a personal table;
 FIG. 2 is an elevational view of a side of the personal table, the opposite side being a mirror image thereof;
 FIG. 3 is a front elevational view of the personal table;
 FIG. 4 is a rear elevational view of the personal table;
 FIG. 5 is a top plan view of the personal table, the bottom plan view being a mirror image thereof; and,
 FIG. 6 is a cross-sectional top plan view of the personal table, taken along the line VI-VI, FIG. 3.

1 Claim, 2 Drawing Sheets



US D644,456 S

Page 2

U.S. PATENT DOCUMENTS

D409,992 S	5/1999	Mockett	D505,282 S	5/2005	Miyakawa
D411,689 S	6/1999	Papaioannou et al.	D539,569 S	4/2007	Lewis
D427,814 S	7/2000	Black	7,240,623 B2	7/2007	Jarke et al.
6,116,165 A	9/2000	Kadesky	D547,975 S	8/2007	Lighthart
D466,337 S	12/2002	Feng	D559,850 S	1/2008	Lye
D473,072 S	4/2003	Seeley	D564,253 S	3/2008	Daubon
D478,632 S	8/2003	Chen	D573,150 S	7/2008	Sween
D488,006 S	4/2004	Deichmann	D591,090 S	4/2009	Judkins
D503,176 S	3/2005	Wirachowsky	2005/0269477 A1	12/2005	Chen et al.

* cited by examiner

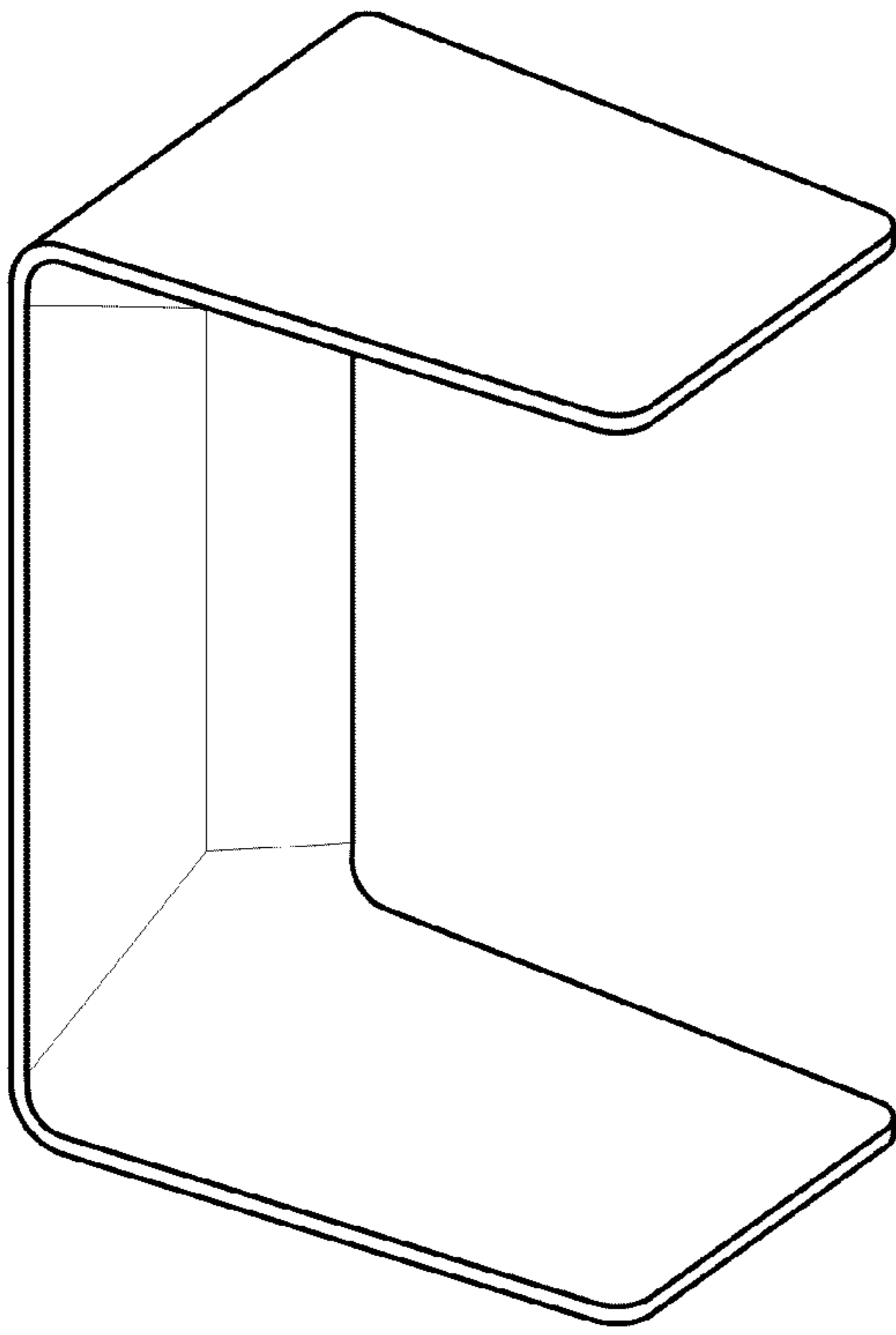


FIG. 1

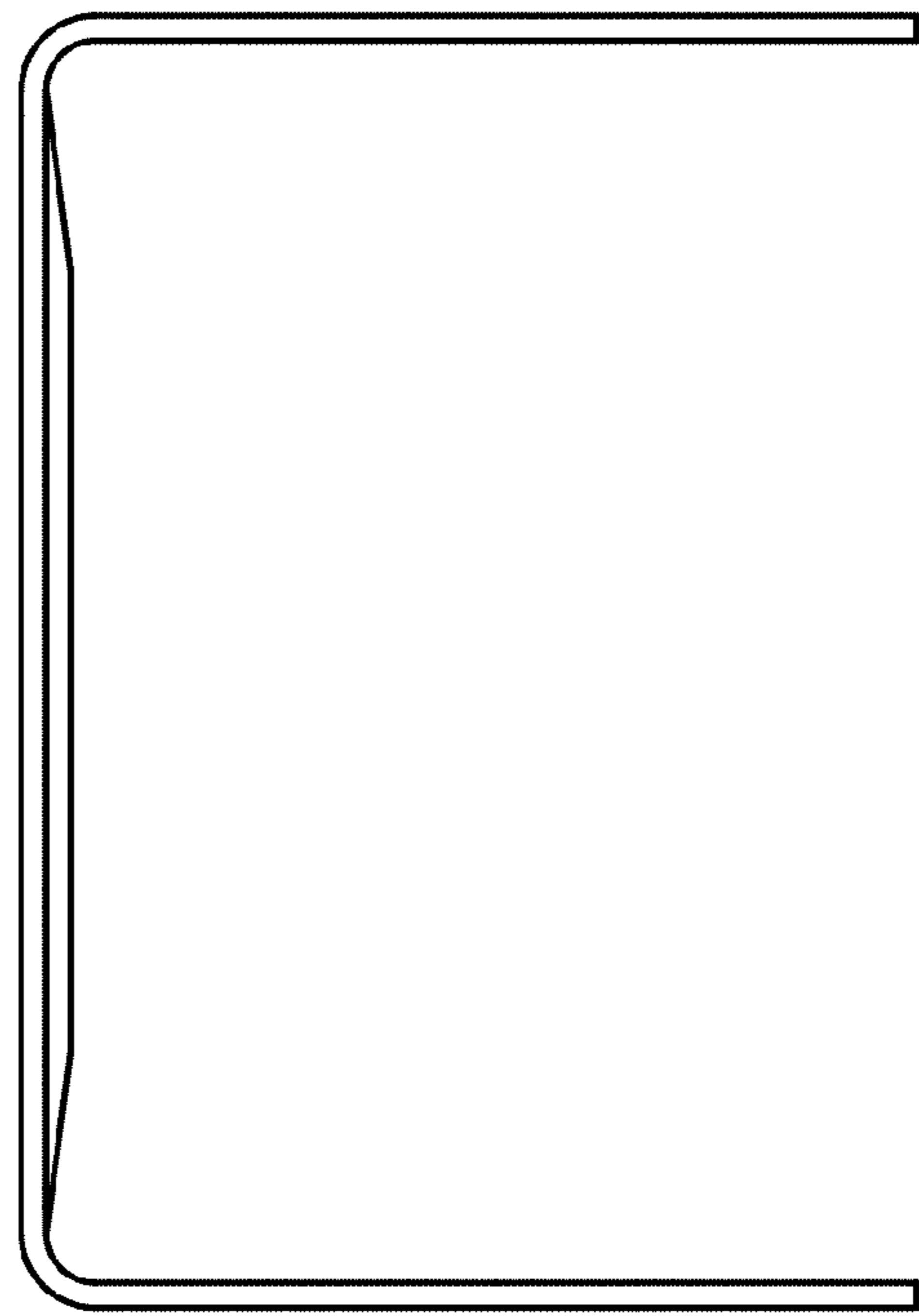


FIG. 2

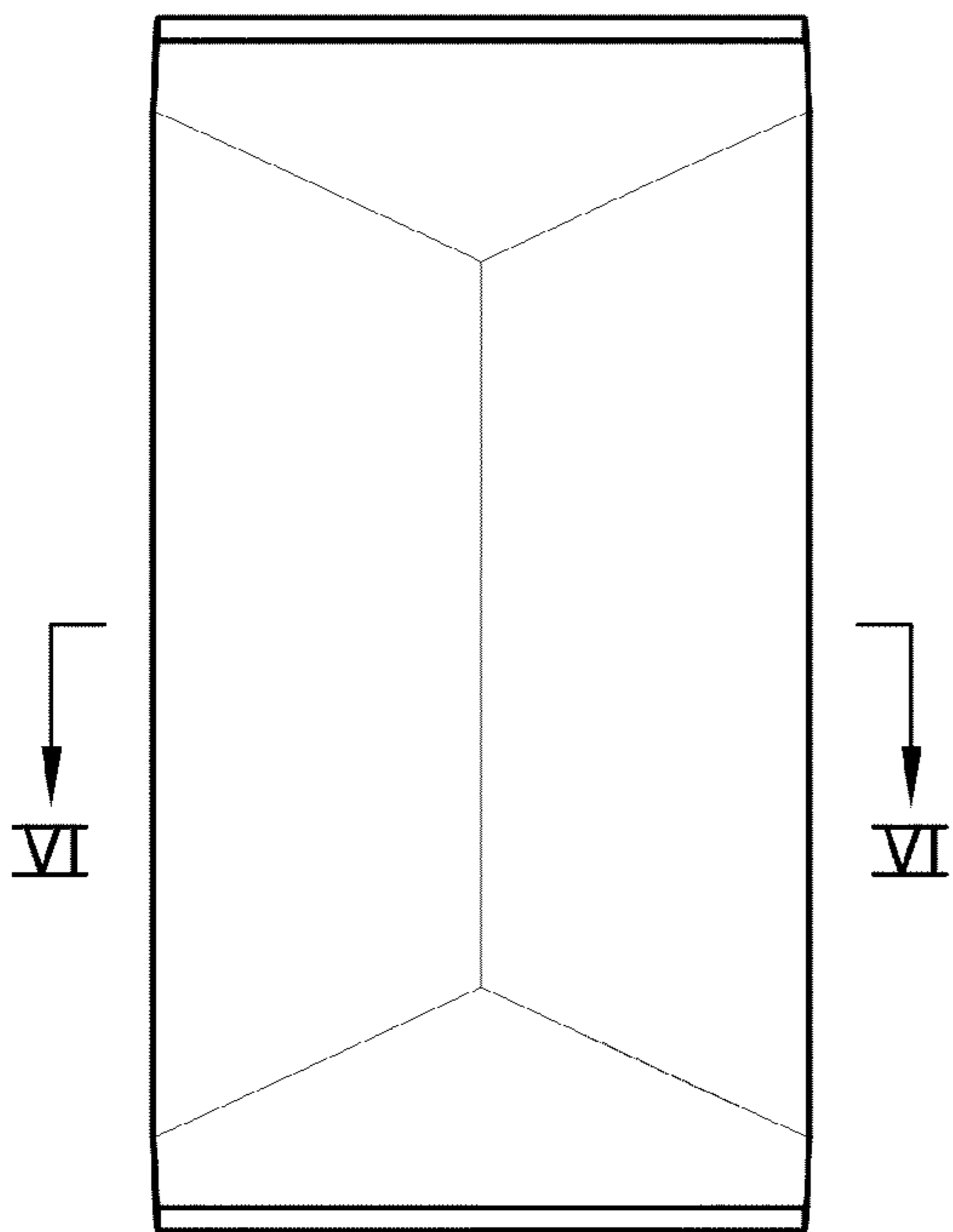


FIG. 3

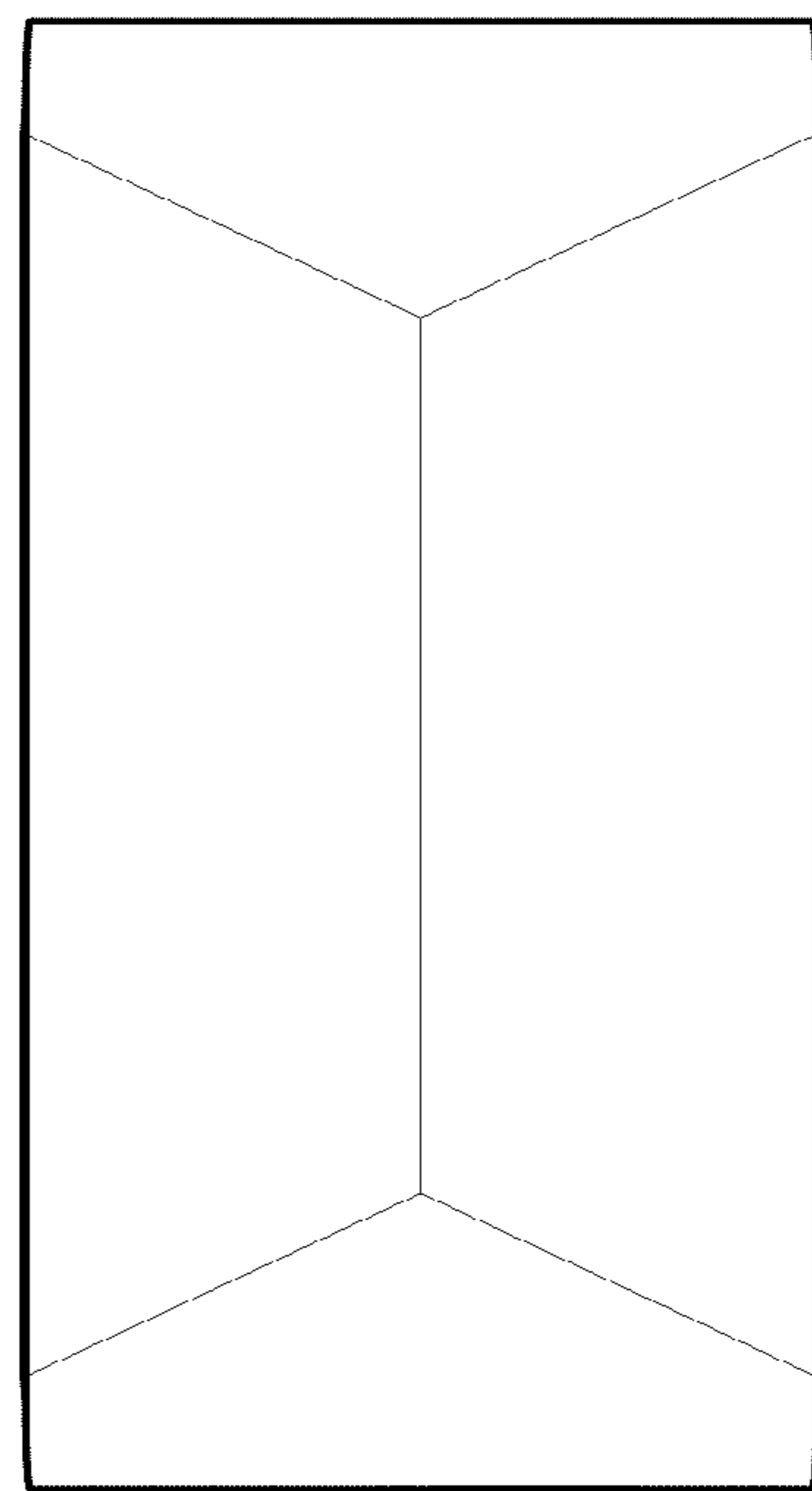


FIG. 4

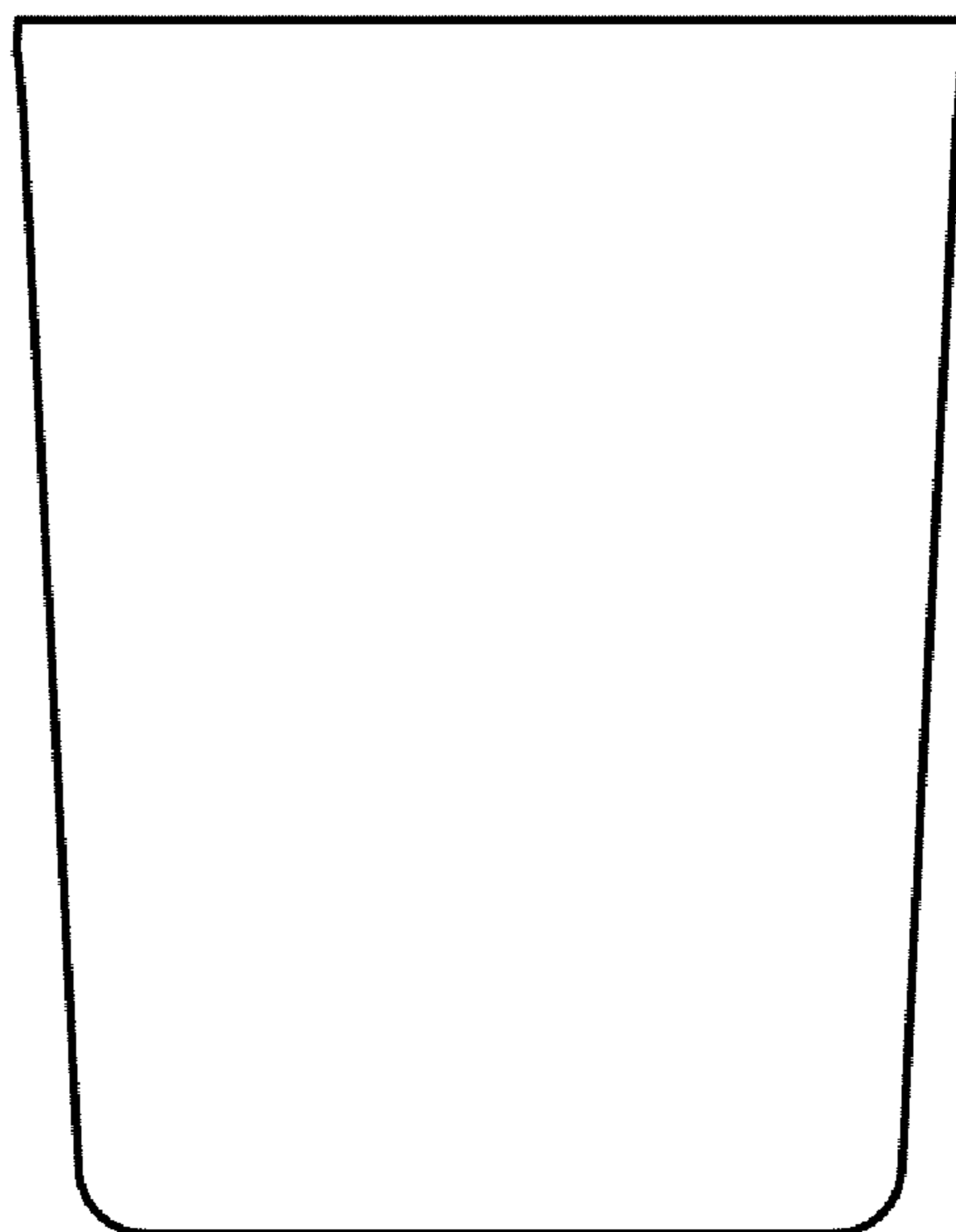


FIG. 5

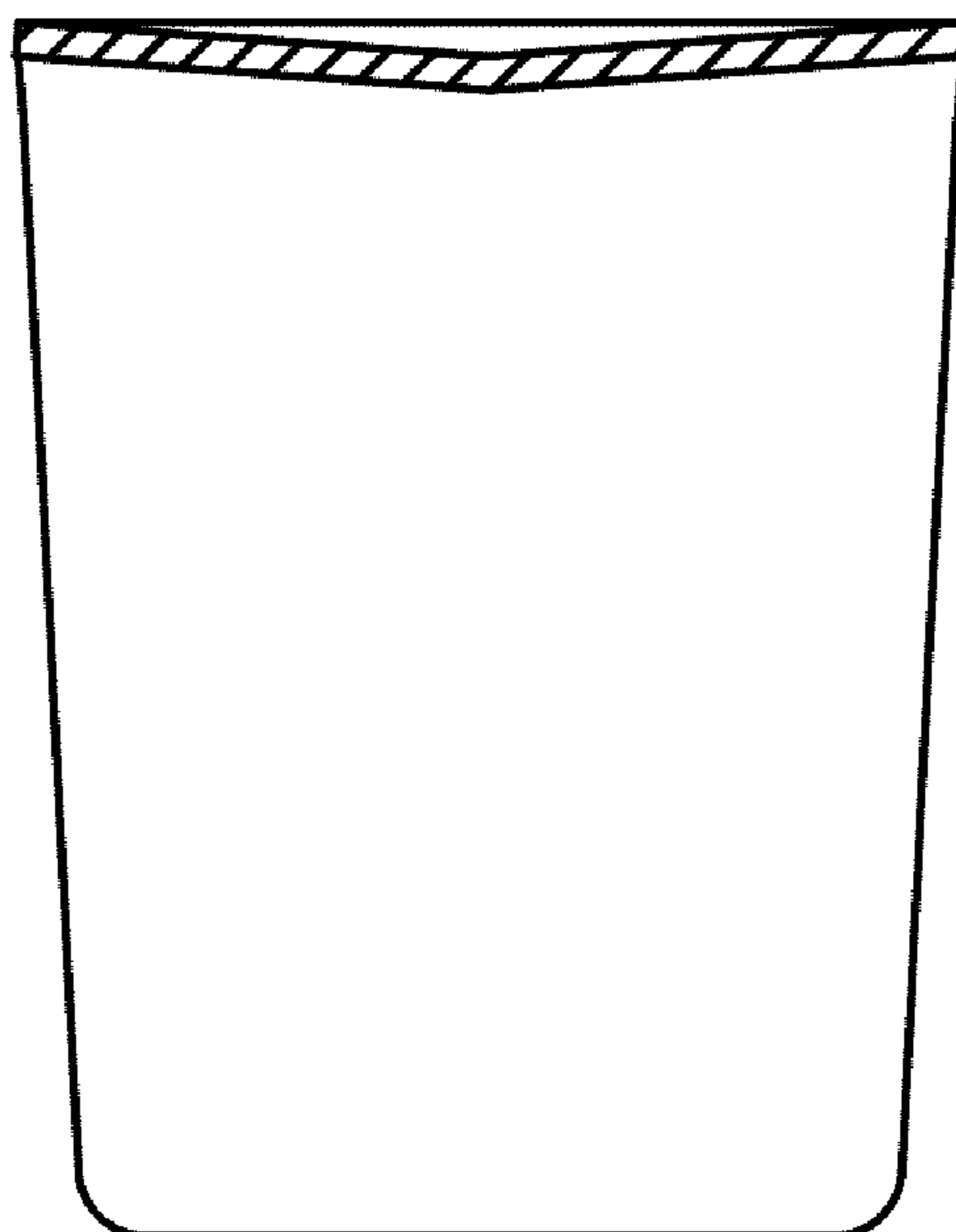


FIG. 6