



US00D644454S

(12) **United States Design Patent**
Chung

(10) **Patent No.:** **US D644,454 S**

(45) **Date of Patent:** **** Sep. 6, 2011**

(54) **AUDIO VIDEO SHELVING UNIT**
(75) **Inventor:** **Sheng-Chi Chung**, Shatian Town
Dongguan (CN)

(73) **Assignee:** **Bell'O International Corp.**,
Morganville, NJ (US)

(**) **Term:** **14 Years**

(21) **Appl. No.:** **29/382,386**

(22) **Filed:** **Jan. 3, 2011**

(51) **LOC (9) Cl.** **06-06**

(52) **U.S. Cl.** **D6/477**

(58) **Field of Classification Search** D6/470,
D6/471, 474, 477-479, 460-461, 468; 108/59,
108/91-92, 96; 211/40, 41.12, 42, 49.1,
211/50, 85.2, 90.04, 187, 190; 206/307
See application file for complete search history.

(56) **References Cited**

U.S. PATENT DOCUMENTS

D454,731 S	3/2002	Niitsu et al.	
D458,053 S	6/2002	Luong	
D459,118 S	6/2002	Antonioni	
D472,073 S	3/2003	de Carolis	
D472,074 S	3/2003	de Carolis	
D472,075 S	3/2003	de Carolis	
D489,548 S	5/2004	Malizia et al.	
D491,748 S	6/2004	de Carolis	
D491,749 S	6/2004	Malizia et al.	
D491,750 S	6/2004	Bertoncini et al.	
D491,753 S	6/2004	de Carolis	
D492,860 S	7/2004	Bertoncini et al.	
D493,982 S	8/2004	de Carolis	
D496,807 S	10/2004	de Carolis	
D497,060 S	10/2004	Chang et al.	
D497,061 S	10/2004	Decarolis	
D505,573 S	5/2005	Malizia	
D506,329 S	6/2005	Sexton	
D507,128 S	* 7/2005	Choo	D6/477
D507,433 S	7/2005	Portnoy	

D507,900 S	8/2005	Sexton
D508,172 S	8/2005	Malizia et al.
D515,337 S	2/2006	de Carolis
D515,849 S	2/2006	Niu
D516,838 S	3/2006	Portnoy
D516,840 S	3/2006	de Carolis
D516,847 S	3/2006	Stenhouse et al.
D519,757 S	5/2006	Portnoy
D524,080 S	7/2006	Stenhouse et al.
D524,578 S	7/2006	Stenhouse et al.
D525,052 S	7/2006	Malizia et al.
D525,054 S	7/2006	Stenhouse et al.
D527,208 S	8/2006	Malizia et al.
D535,497 S	1/2007	Portnoy

(Continued)

OTHER PUBLICATIONS

Bell'O 2005/06 Product Catalog.

Primary Examiner — Elizabeth Albert

Assistant Examiner — Kelley Donnelly

(74) *Attorney, Agent, or Firm* — Lerner, David, Littenberg,
Krumholz & Mentlik, LLP

(57) **CLAIM**

The ornamental design for audio video shelving unit, as shown and described.

DESCRIPTION

FIG. 1 is a front perspective view of the subject audio video shelving unit;

FIG. 2 is a front view thereof;

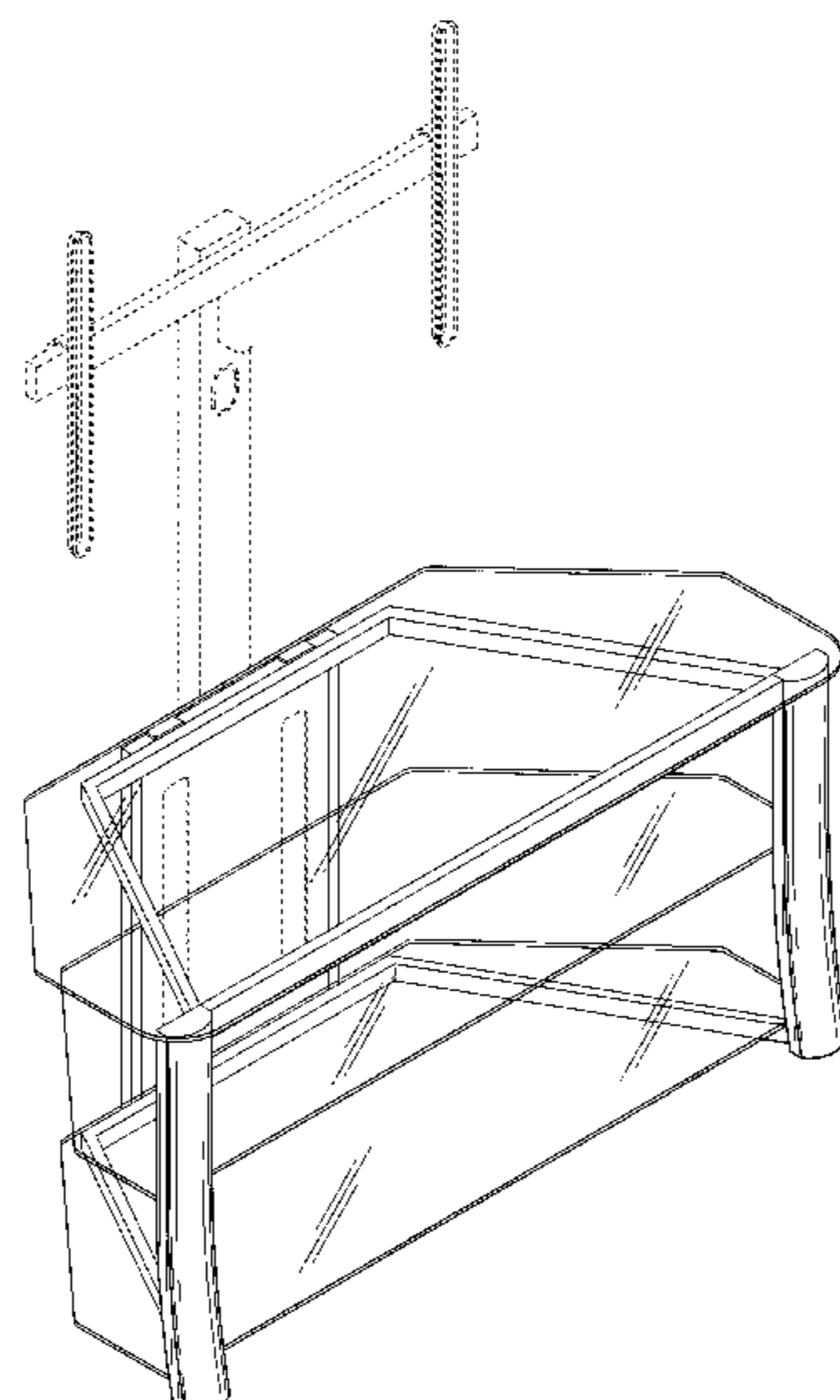
FIG. 3 is a rear view thereof;

FIG. 4 is a right side view thereof (the left side view is a mirror image of the right side view); and,

FIG. 5 is a top plan view thereof.

The broken line showing in FIGS. 1-5 is included for the purpose of illustrating environment and forms no part of the claimed design.

1 Claim, 5 Drawing Sheets



US D644,454 S

Page 2

U.S. PATENT DOCUMENTS

D537,656 S	3/2007	Stenhouse et al.			
D540,067 S	4/2007	Chung			
D542,059 S	5/2007	Moyle et al.			
D543,729 S	6/2007	Weatherly			
D549,991 S	9/2007	Stravitz			
D554,393 S	11/2007	Yalif			
D555,397 S	11/2007	Yalif			
D559,583 S	1/2008	Zambelli			
D559,584 S	1/2008	Zambelli			
D560,077 S	1/2008	Zambelli			
D560,401 S	1/2008	Hoglan et al.			
D562,593 S	2/2008	Zambelli			
D563,695 S	3/2008	Yamaguchi			
D564,260 S	3/2008	deCarolis			
D564,261 S	3/2008	Sculler			
D564,789 S	3/2008	deCarolis			
D564,796 S	3/2008	Zambelli			
D564,797 S	3/2008	Yamaguchi			
D572,944 S *	7/2008	Sexton	D6/477		
D587,483 S	3/2009	Zambelli			
D587,496 S	3/2009	Weitz			
D587,497 S	3/2009	Zambelli			
D589,280 S	3/2009	Zambelli			
D590,636 S	4/2009	Ou Yang et al.			
D590,637 S	4/2009	Portnoy			
D592,428 S	5/2009	Zambelli			
D594,248 S	6/2009	Zambelli			
D599,584 S	6/2009	Zambelli			
D595,978 S	7/2009	Portnoy et al.			
D604,251 S	11/2009	Hwang			
D605,874 S	12/2009	Zambelli			
D607,671 S *	1/2010	Sexton	D6/479		
D609,942 S *	2/2010	Sexton	D6/477		
D610,836 S	3/2010	Kohler			
D619,827 S *	7/2010	Sculler et al.	D6/477		
D619,828 S *	7/2010	Connor et al.	D6/477		
D630,870 S *	1/2011	Sexton	D6/477		
D630,871 S *	1/2011	Sexton	D6/477		
D631,265 S *	1/2011	Sexton	D6/477		

* cited by examiner

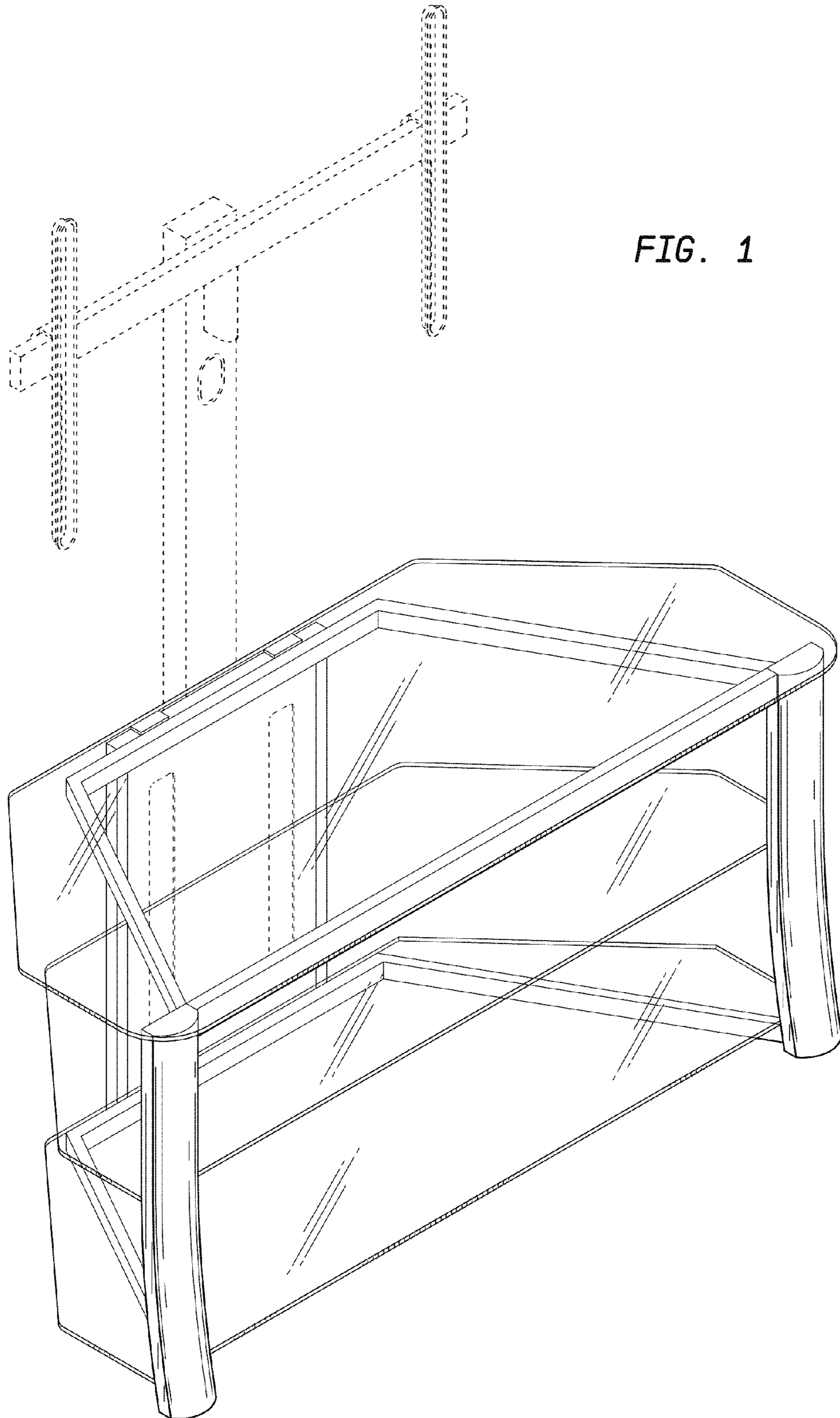


FIG. 1

FIG. 2

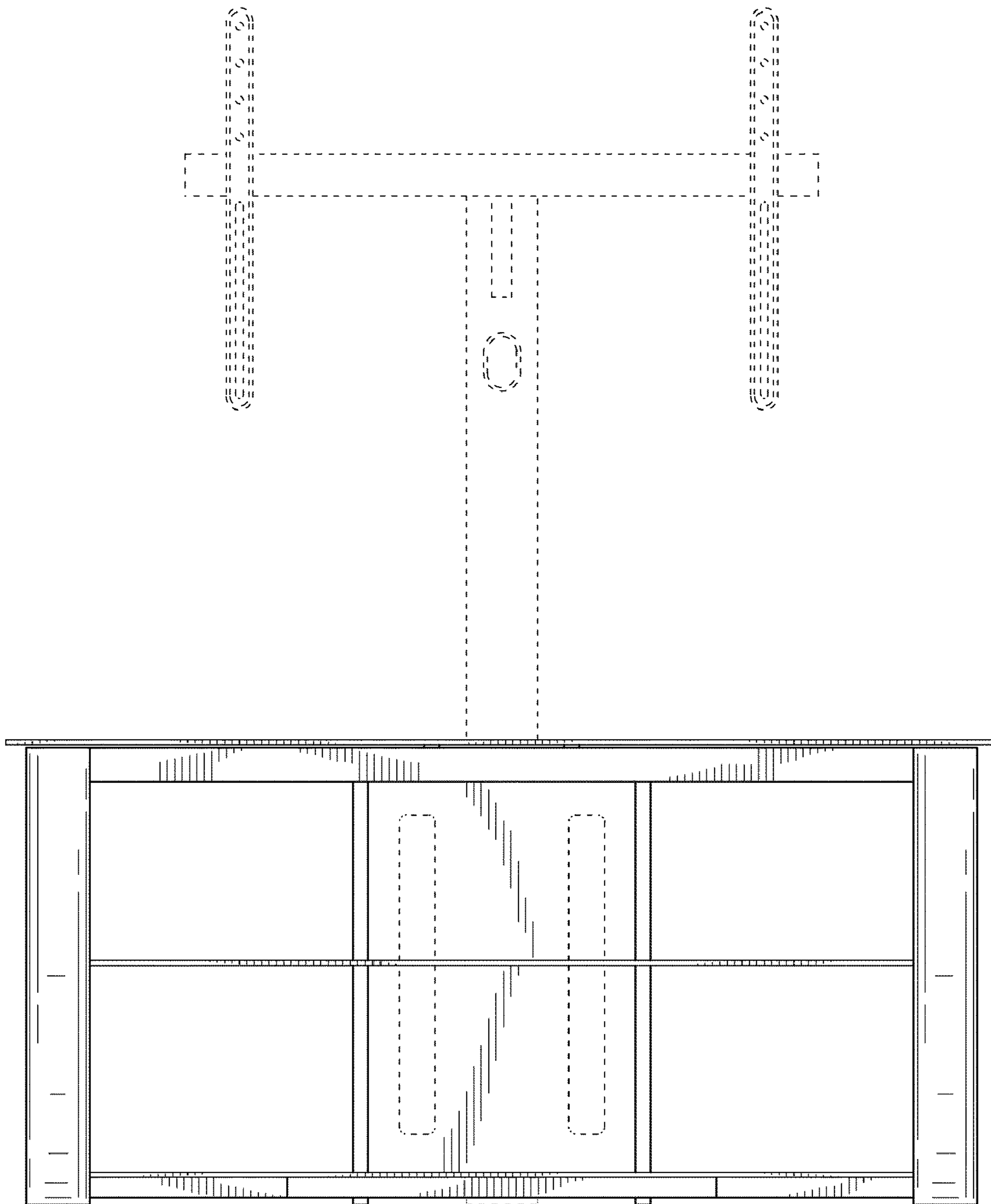


FIG. 3

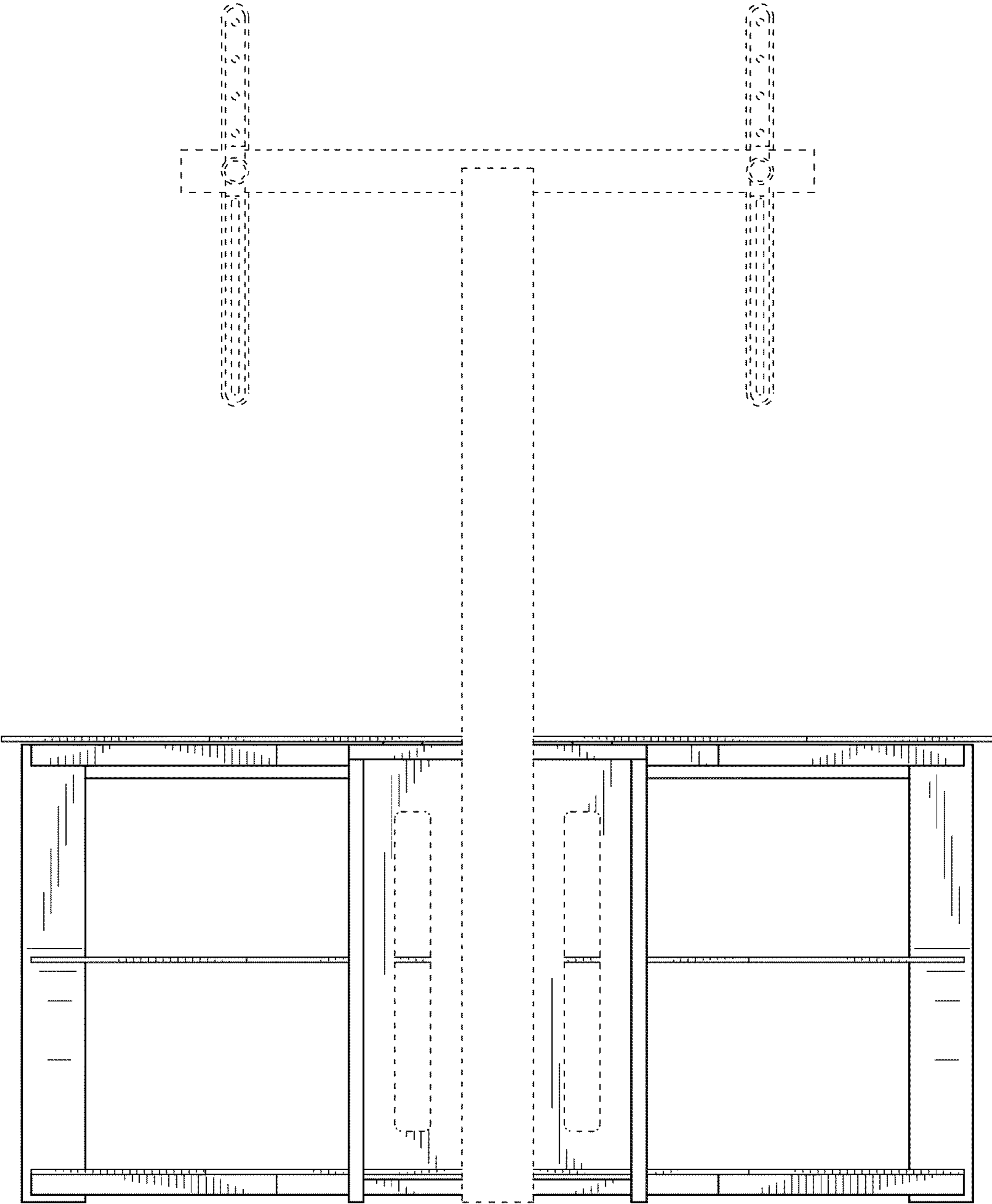


FIG. 4

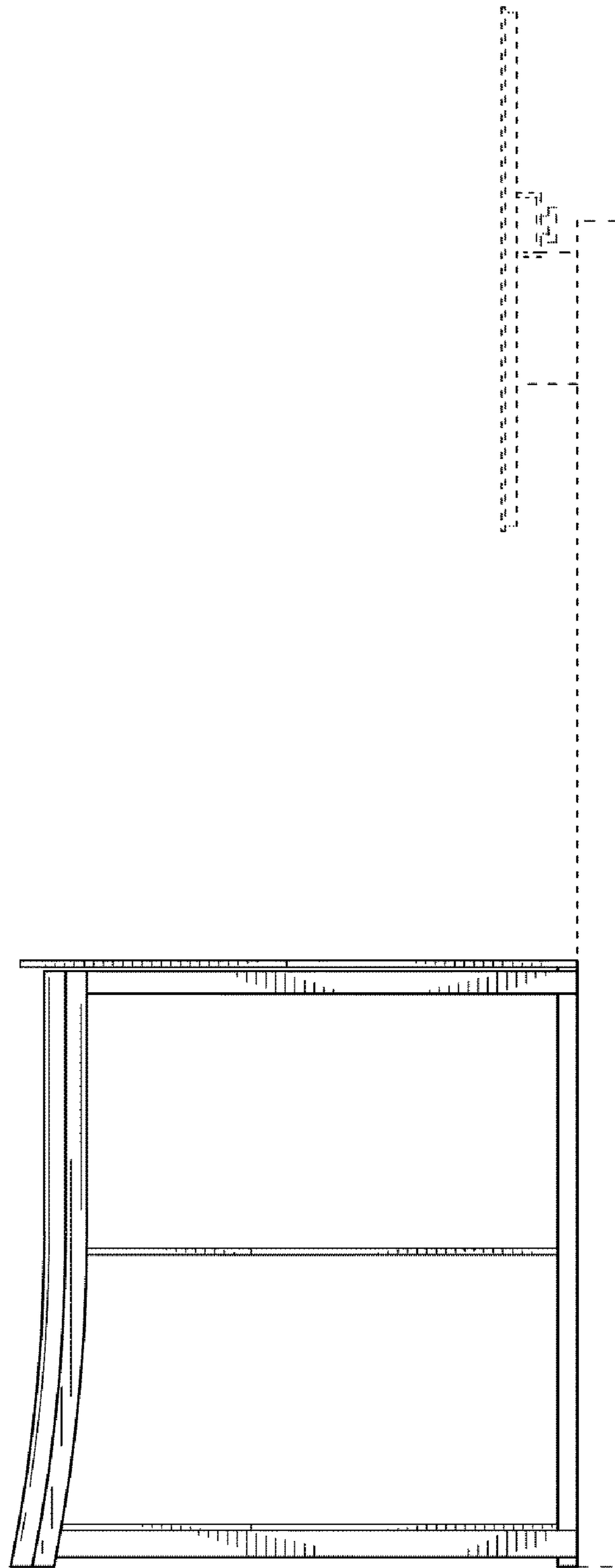


FIG. 5

