



US00D644451S

(12) **United States Design Patent**
Denk et al.

(10) **Patent No.:** **US D644,451 S**
(45) **Date of Patent:** **** Sep. 6, 2011**

(54) **DISPLAY FURNITURE**

(75) Inventors: **Roland Denk**, Andorf (AT); **Gerhard Kaltseis**, Ried (AT)

(73) Assignee: **TEC-Designs OG**, Andorf (AT)

(**) Term: **14 Years**

(21) Appl. No.: **29/365,012**

(22) Filed: **Jul. 1, 2010**

(30) **Foreign Application Priority Data**

Apr. 6, 2010 (EP) 001690876-0001

(51) **LOC (9) Cl.** **06-04**

(52) **U.S. Cl.** **D6/439; D6/436**

(58) **Field of Classification Search** D6/396,
D6/397, 432, 436, 437, 438, 439, 449, 445,
D6/446, 448, 473, 480, 481; 312/7.2, 114,
312/138.1, 140.1, 204, 249.2, 249.4, 313;
211/78

See application file for complete search history.

(56) **References Cited**

U.S. PATENT DOCUMENTS

D173,834 S * 1/1955 Burnett D6/438
D183,093 S * 6/1958 Harris D6/397
D212,790 S * 11/1968 Abbott D6/397
D266,126 S * 9/1982 Goodhart D6/439

D445,275 S * 7/2001 Tringali D6/396
D476,507 S * 7/2003 Holmes et al. D6/473
D521,277 S * 5/2006 Quintal D6/481
D598,212 S * 8/2009 Baird et al. D6/397
D610,829 S * 3/2010 Nelsen et al. D6/396

* cited by examiner

Primary Examiner — Mimoso De

(74) *Attorney, Agent, or Firm* — Laurence A. Greenberg;
Werner H. Stemer; Ralph E. Locher

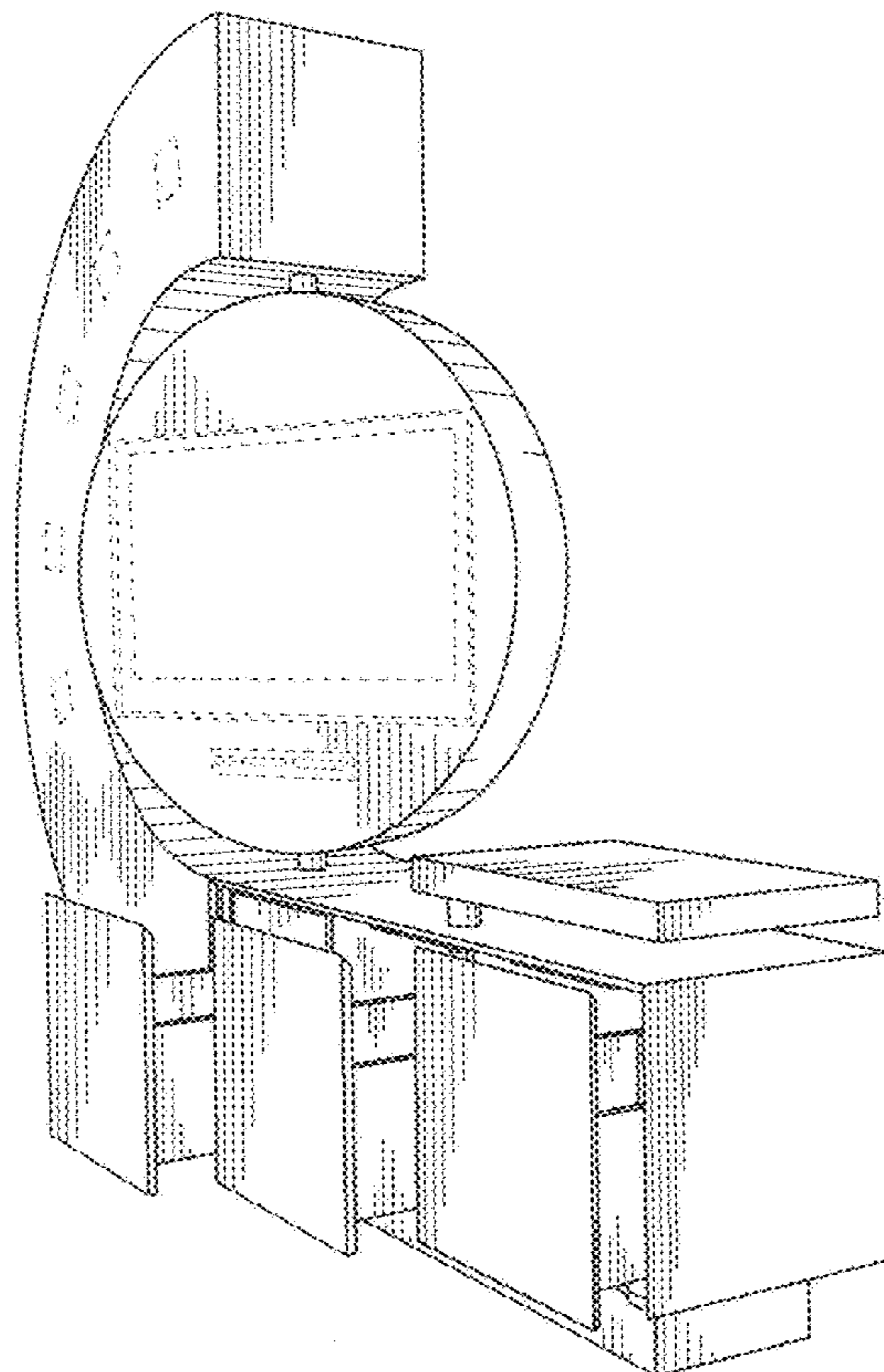
(57) **CLAIM**

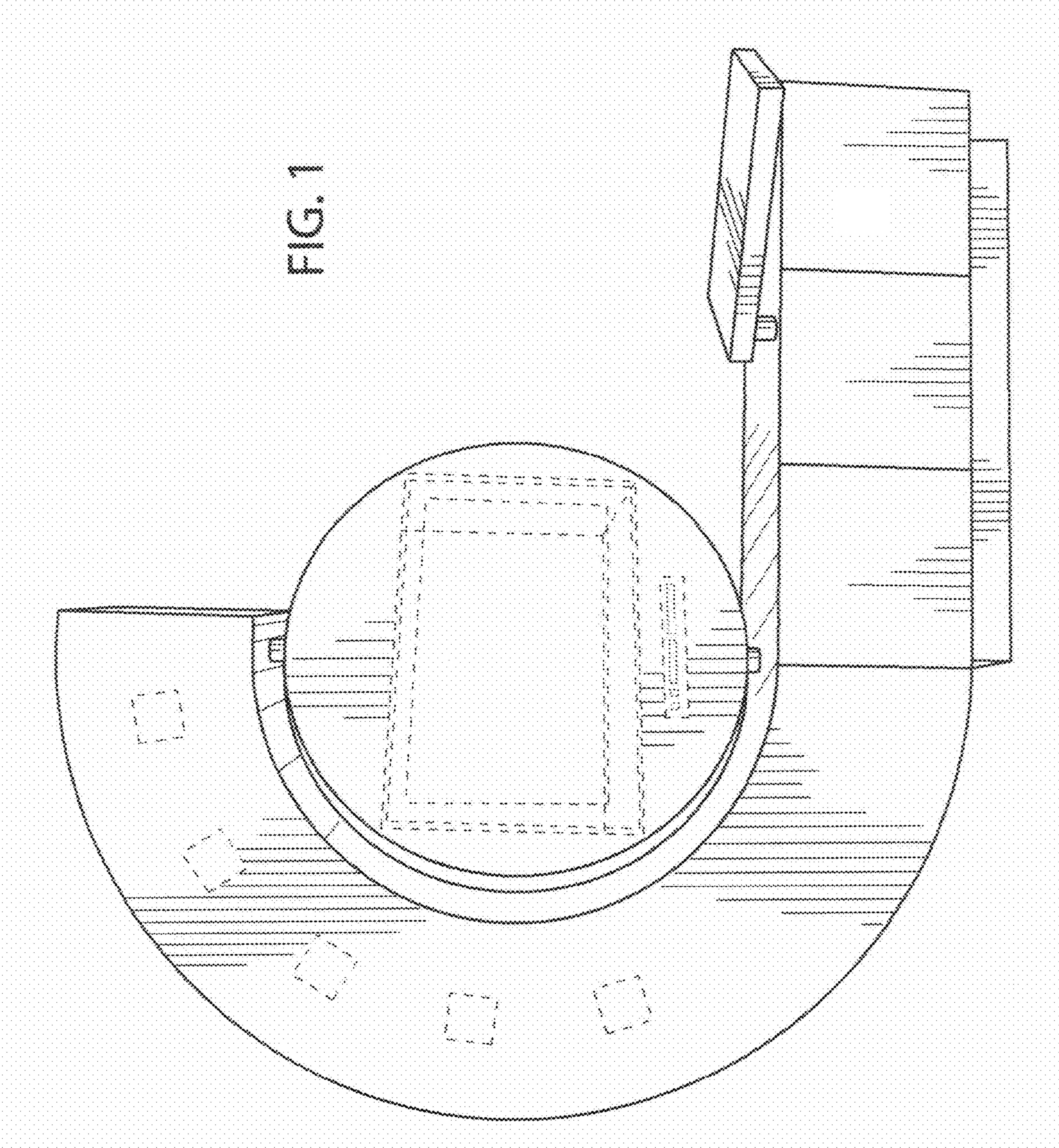
The ornamental design for display furniture, as shown and described.

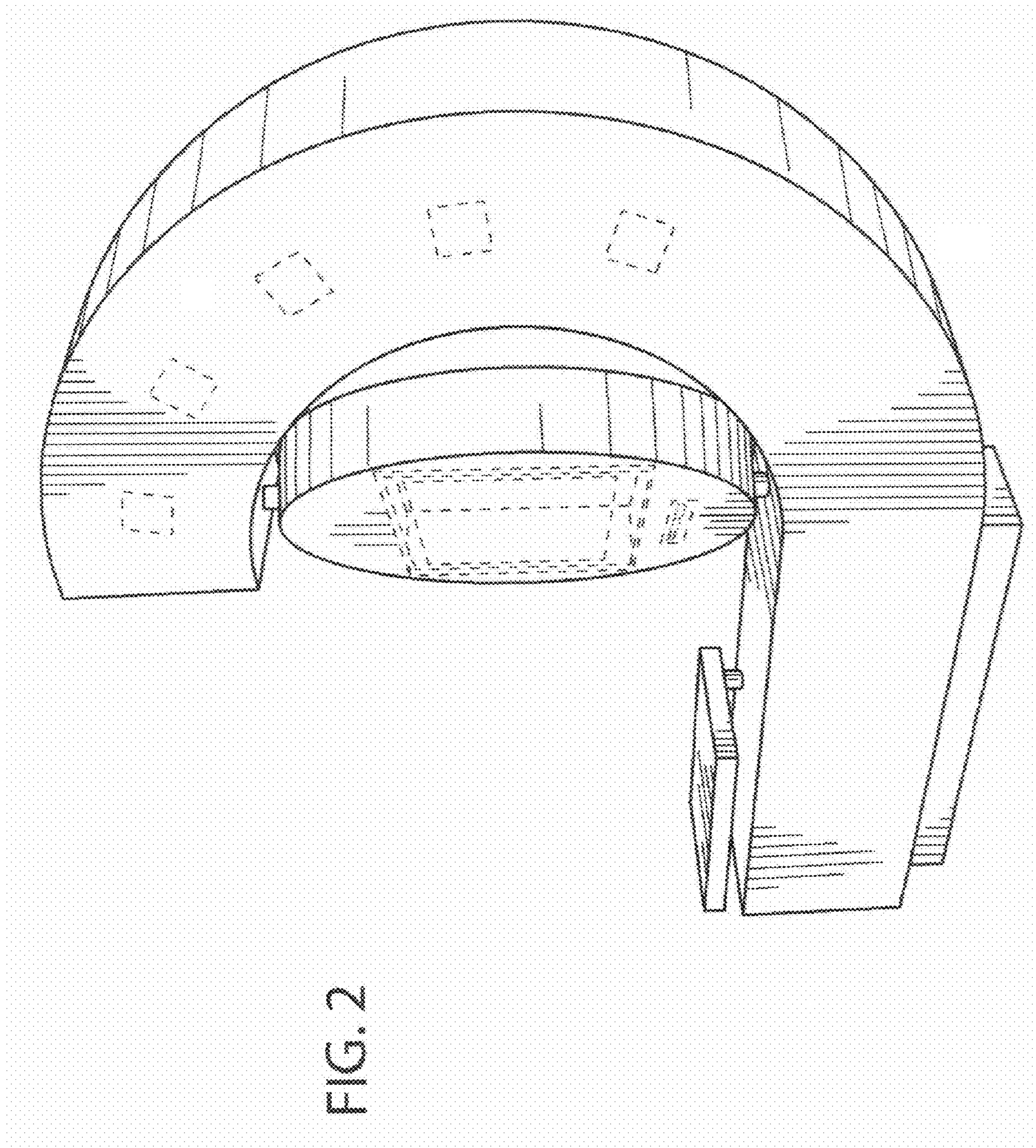
DESCRIPTION

FIG. 1 is a front perspective view of the display furniture with a round swivel display and a swivel support table in a given, first position, showing our new design;
FIG. 2 is a rear perspective view thereof;
FIG. 3 is a right front perspective view, showing a set of front drawers in an open position;
FIG. 4 is a rear perspective view thereof; and,
FIG. 5 is a front perspective view with the round swivel display suggesting a global map thereon.
In the drawings, the broken lines show portions of the furniture, including a set of five speakers along the rounded frame, a flat panel television set and controls in FIGS. 1-4, and a globe in FIG. 5; the broken line showings do not form part of the claimed design.

1 Claim, 5 Drawing Sheets







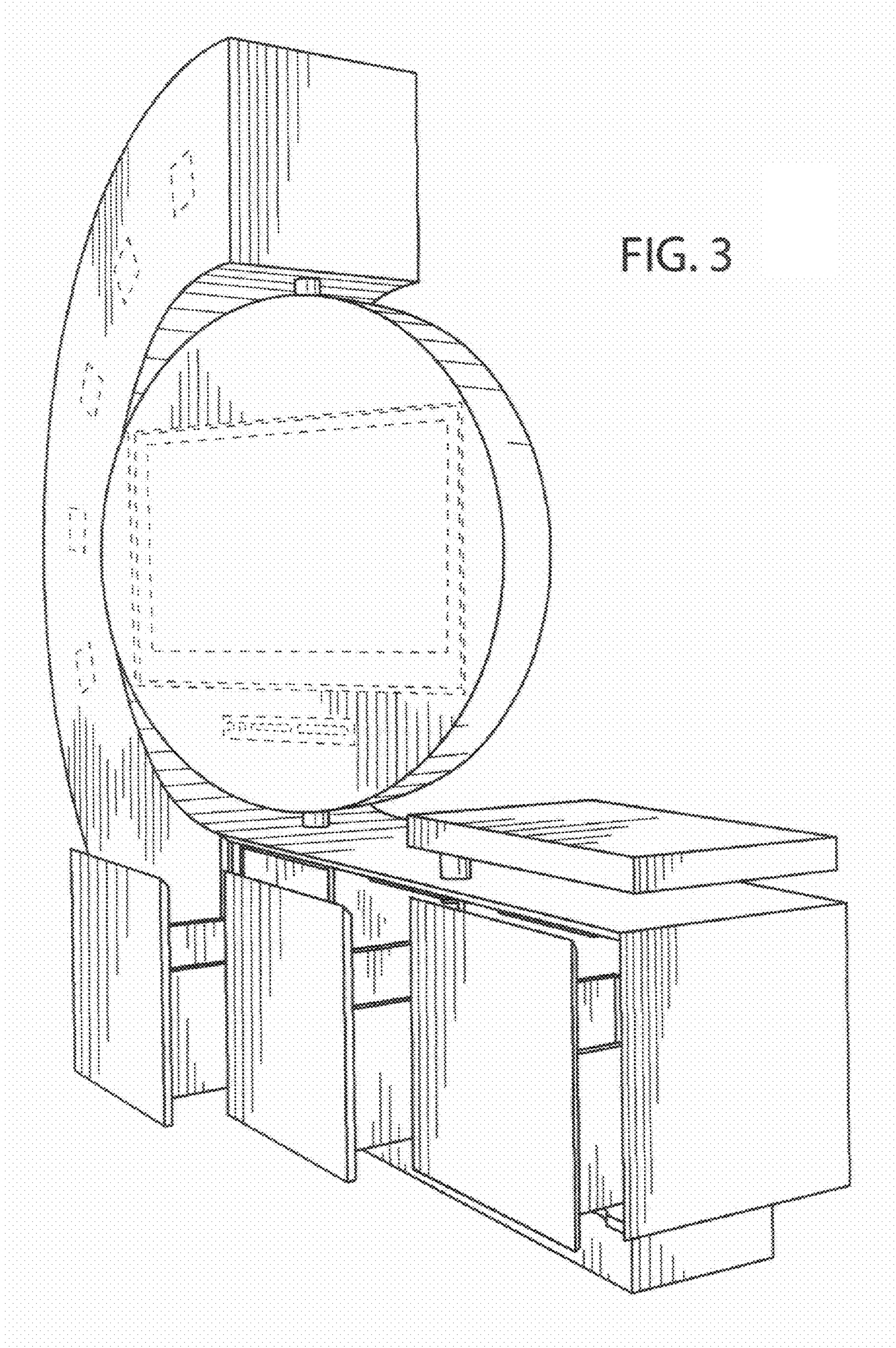


FIG. 3

